

# Installation & Service Manual



**SCS 660 & 660M Serial Interface  
for Granular Applications**

## ***Disclaimer***

---

While every effort has been made to ensure the accuracy of this document, Raven Industries assumes no responsibility for omissions and errors. Nor is any liability assumed for damages resulting from the use of information contained herein.

Raven Industries shall not be held responsible or liable for the effects of atmospheric conditions and sunspot activity on the performance of our products. Raven Industries cannot guarantee the accuracy, integrity, continuity, or availability of the GPS signal from the U.S. Department of Defense/NAVSTAR GPS satellites, the OmniSTAR correction service, or the WAAS correction service. Raven Industries accepts no responsibility for the use of the signal for other than the stated purpose.

Raven Industries shall not be responsible or liable for incidental or consequential damages or a loss of anticipated benefits or profits, work stoppage or loss, or impairment of data arising out of the use, or inability to use, this system or any of its components.

<b>Chapter 1</b>	<b><i>Important Safety Information</i></b> .....	<b>1</b>
	Important Safety Information .....	1
	Hydraulic Safety .....	2
	Electrical Safety .....	2
<b>Chapter 2</b>	<b><i>Introduction</i></b> .....	<b>3</b>
	Introduction .....	3
	Unit Definitions and Conversions .....	4
	Unit of Measure Definitions .....	4
	Unit of Measure Conversions .....	4
	Calculating Machine's Calibration Values .....	5
	Calculate the Boom Cal Value .....	5
	Calculate the Speed Cal Value .....	5
	Raven Radar Only .....	5
	Wheel Drive Speed Sensors Only .....	5
	Calculate the Spreader Constant Value .....	6
	Formula Calculation .....	6
	Catch Test Calculation .....	7
	New Leader Mark IV Interface Spreader Constant Values .....	8
	Calculate the Meter Cal Value .....	9
	Calculate the Valve Cal Value .....	9
	Calculate the Rate Cal Value .....	10
<b>Chapter 3</b>	<b><i>Calibration Card</i></b> .....	<b>11</b>
	Introduction .....	11
<b>Chapter 4</b>	<b><i>Installation</i></b> .....	<b>13</b>
	Sensor Installation .....	13
	Raven Radar Speed Sensor .....	13
	Wheel Drive Speed Sensor .....	14
	Rim Drilling for Four and Eight Hole Wheel Stud Patterns - Optional .....	14
	Rim Drilling for Six Hole Wheel Stud Patterns - Optional .....	15
	Mounting the Wheel Drive Speed Sensor .....	15
	Phoenix 10 GPS Speed Sensor .....	16
	Fan Sensor .....	17
	Bin Level Sensor .....	18
	Encoder Installation .....	19
	Mounting the Encoder .....	19
	Control Valve Installation .....	20
	Install the Control Valve .....	20
	Console and Cabling Installation .....	21
	Battery Connections .....	24

<b>Chapter 5</b>	<b><i>Console Programming and Calibration</i></b>	<b>25</b>
Console Identification		25
Console Features		26
Button Definitions		28
Calibration Buttons		28
Function Buttons		28
Console Programming		29
Data Entry		29
Initial Console Programming		29
Refining the Speed Cal Value - Raven Radar Only		30
Refining the Speed Cal Value - Phoenix 10 Speed Sensors Only		31
Refining the Spreader Constant Value		31
Programming for New Leader Mark IV Interface		32
Changing Initial Console Programming		32
Programming Additional System Data		33
Vol Tank		33
Time and Date		33
Power Down		33
System Features		34
Data Menu		34
Data Logger On/Off		35
Self Test Feature		36
Volume/Min Rate Fault		37
Volume/Area Rate Alarm		37
Low Tank Fault		37
Automatic Rate +/-		37
Control Valve Delay and Valve Advance		38
Zero Speed Shut-Off		38
Data Lock Feature		38
Activate the Data Lock Code		38
Change the Data Lock Code		38
Entering Data in the Data Lock Mode		39
Clear the Data-Lock Code		39
Decimal Shift Feature		39
Shift the Decimal Place		40
Unshift the Decimal Place		40
<b>Chapter 6</b>	<b><i>Initial System Setup and Testing</i></b>	<b>41</b>
Initial System Setup		41
Initial System Field Test		41
<b>Chapter 7</b>	<b><i>Preventative Maintenance and Troubleshooting</i></b>	<b>43</b>
General Preventative Maintenance		43

Testing Flow Meter/Encoder Cables .....	43
Speed Sensor Cables .....	44
Testing Speed Sensor Extension Cables .....	44
Troubleshooting .....	45
Console Issues .....	45
Rate Control Issues .....	46
<b>Chapter 8 Replacement Parts .....</b>	<b>49</b>



## CHAPTER

# 1

# *Important Safety Information*

## *Important Safety Information*

### **NOTICE**

Read this manual and the operation and safety instructions included with your implement and/or controller carefully before installing the SCS 660 Serial Interface system.

- Follow all safety information presented within this manual.
- If you require assistance with any portion of the installation or service of your Raven equipment, contact your local Raven dealer for support.
- Follow all safety labels affixed to the system components. Be sure to keep safety labels in good condition and replace any missing or damaged labels. To obtain replacements for missing or damaged safety labels, contact your local Raven dealer.

When operating the machine after installing the SCS 660 Serial Interface system, observe the following safety measures:

- Be alert and away of surroundings.
- Do not operate the SCS 660 Serial Interface system while under the influence of alcohol or an illegal substance.
- Remain in the operator's position in the machine at all times when the SCS 660 Serial Interface system is engaged.
- Determine and remain a safe working distance from other individuals. The operator is responsible for disabling the SCS 660 Serial Interface system when the safe working distance has been diminished.
- Ensure the SCS 660 Serial Interface is disabled prior to starting any maintenance work on the machine or parts of the SCS 660 Serial Interface system.
- Follow all label instructions for proper chemical mixing, handling, and container disposal methods.

 **CAUTION**

## Hydraulic Safety

- Raven Industries recommends that appropriate protective equipment be worn at all times when working on the hydraulic system.
- Never attempt to open or work on a hydraulic system with the equipment running. Care should always be taken when opening a system that has been previously pressurized.
- When disconnecting the hydraulic hoses or purging is required, be aware that the hydraulic fluid may be extremely hot and under high pressure. Caution must be exercised.
- Any work performed on the hydraulic system must be done in accordance with the machine manufacturer's approved maintenance instructions.
- When installing AutoBoom hydraulics or performing diagnostics, maintenance, or routine service, ensure that precautions are taken to prevent any foreign material or contaminants from being introduced into the machine's hydraulic system. Objects or materials that are able to bypass the machine's hydraulic filtration system will reduce performance and possibly damage the hydraulic valves.

## Electrical Safety

- Always verify that the power leads are connected to the correct polarity as marked. Reversing the power leads could cause severe damage to the equipment.
- Ensure that the power cable is the last cable to be connected.
- Disconnect the SCS 660 Serial Interface console before jump-starting the vehicle.
- Disconnect the SCS 660 Serial Interface console before welding any component of the machine.



## CHAPTER

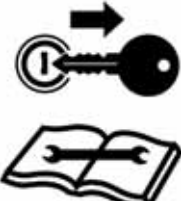
# 2

## *Introduction*

### *Introduction*

Congratulations on your purchase of the Raven SCS (Sprayer Control System) 660 Serial Interface! The Raven SCS 660 is designed to provide uniformity of granular applications, regardless of the vehicle's speed. Utilizing a computer-based console, a speed sensor, an encoder, and a hydraulic control valve, the SCS 660 also functions as an area monitor, speed monitor, and volume totalizer. The SCS 660 and 660M may also be used for granular applications. Refer to the SCS 660 & 660M Serial Interface for Liquid Applications Installation & Service Manual (P/N 016-0159-841) for information on liquid applications.

The operator sets the target weight per area to be applied, and the SCS 660 automatically maintains the application. A manual override switch allows the operator to manually control the application for spot application. The actual weight per area being applied is displayed at all times on the console.

	<p><b>NOTICE</b></p> <p>The performance of the SCS 660 relies on the proper installation and preventative maintenance of the system and the sprayer. Review this Installation &amp; Service Manual thoroughly before operating the system.</p>
---	--

In addition to the features provided by the SCS 660, the SCS 660M features a master switch that allows control of a single section boom function without the need for additional cabling.

## Unit Definitions and Conversions

### Unit of Measure Definitions

Abbreviation	Definition	Abbreviation	Definition
PPM	Pounds per Minute	m	Meter
kg/min	Kilograms per Minute	MPH	Miles per Hour
PPA	Pounds per Acre	km	Kilometers
kg/ha	Kilograms per Hectare	km/h	Kilometers per Hour
PPK	Pounds per 1,000 Square Feet	US	Volume per Acre
mm	Millimeters	SI	Volume per Hectare
cm	Centimeters	TU	Volume per 1,000 Square Feet
dm	Decimeters	[ ]	Metric Numbers

### Unit of Measure Conversions

To convert the METER CAL value into the a unit of measure, divide the original number printed on the Flow Meter label by the desired conversion unit of measure value.

#### Length

- 1 millimeter (mm) = 0.039 inches
- 1 centimeter (cm) = 0.393 inches
- 1 meter (m) = 3.281 feet
- 1 kilometer (km) = 0.621 miles
- 1 inch = 25.4 mm or 2.54 cm
- 1 mile = 1.609 km

#### Area

- 1 square meter = 10.764 square feet
- 1 hectare = 2.471 acres or 10,000 square meters
- 1 acre = 0.405 hectares or 43,560 square feet
- 1 square mile = 640 acres or 258.9 hectares

#### Dry Conversion

- Kilograms x 2.2 = Pounds
- Pounds x 0.455 = Kilograms

#### Volume

- 1 cubic meter = 1000 liters
- 1 cubic centimeter - 1 milliliter

## Calculating Machine's Calibration Values

### Calculate the Boom Cal Value

Calculate the Boom Cal value in inches [cm] by measuring the total width of the spread pattern. Be sure to write down these figures for future reference when programming the console.

### Calculate the Speed Cal Value

#### Raven Radar Only

The initial Speed Cal value for Raven radar is 598 [152]. After the initial console programming has been performed, this value may be adjusted to optimize the system's performance.

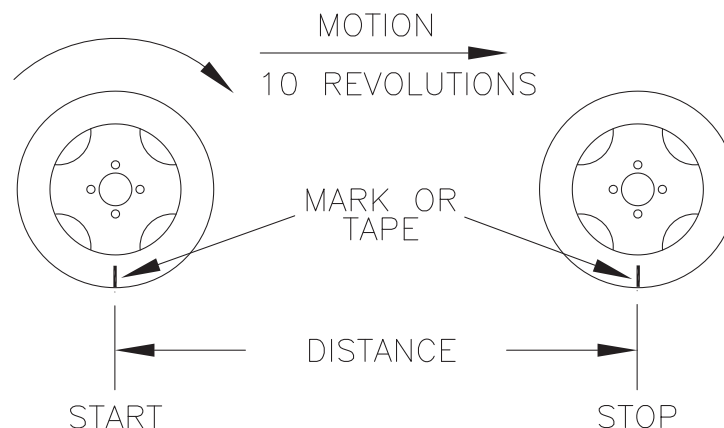
#### Phoenix 10 Speed Sensors Only

The initial Speed Cal value for Phoenix 10 speed sensors is 785 [200]. After the initial console programming has been performed, this value may be adjusted to optimize the system's performance.

#### Wheel Drive Speed Sensors Only

**Important:** *This procedure should be performed only after the entire system installation is complete. This procedure is critical to the console's performance, so measure carefully. This procedure should be performed on the same soil conditions in which you will be spraying, since wheel circumference varies in soft soil versus hard-packed soil.*

FIGURE 1. Speed Cal Value Calculation



1. Place a chalk mark or tape on the tire on which the speed sensor is mounted.
2. Mark the spot on the ground directly below the chalk mark or tape.
3. Drive the machine straight ahead, counting 10 full rotations of the wheel.

**Important:** *The mark must stop at the same position (with the chalk mark or tape perpendicular to the ground at the bottom of the tire) as before it was before the measurement began.*

4. Measure the distance (in inches/cm) from the ground starting mark to the stopping mark. Round off fractions of an inch/cm.
5. Write down this number as it will be used as the Speed Cal value when programming the console.

**Note:** *Large tires and very low speed applications may require additional magnets to ensure accurate speed readings. Any even number of magnets may be used as long as they alternate in color and are equally spaced. After calculating the Speed Cal value, the number must be adjusted according to the actual number of magnets used.*

**For Example:**

$$\frac{\text{Normal Number of Magnets}}{\text{Actual Number of Magnets}} \times \text{Calculated Speed Cal} = \text{Adjusted Speed Cal}$$

$$\frac{4}{6} \times 1200 = 800$$

## Calculate the Spreader Constant Value

The Spreader Constant value can be calculated in one of two ways: by performing a mathematical calculation, or by performing a “catch test” by applying and measuring the product used.

**Note:** *The Spreader Constant value must be recalculated every time the gate opening dimensions are changed.*

### Formula Calculation

First, use a tape measure to measure the following dimensions on the machine:

- Gate height (GH) in inches [cm]
- Gate width (GW) in inches [cm]
- Distance of travel (D) in inches [cm] of the belt per one revolution of the sensor

Second, determine the number of pulses emitted by the encoder per one revolution of the sensor.

1. Enter a METER CAL value of 10.
2. Enter a TOTAL VOL value of 0.
3. Turn the sensor exactly one revolution. The value in TOTAL VOLUME is the number of encoder pulses per sensor revolution.

Third, determine the cubic feet [cm] of discharge per one revolution of the sensor by multiplying the distance of the belt travel per one sensor revolution by the gate height by the gate width, then dividing it by 1728 (not necessary for determining cubic cm).

**For Example:**

Distance of Belt Travel per 1 Sensor Revolution (D)	=	13 inches [33 cm]
Gate Height (GH)	=	7 inches [18 cm]
Gate Width (GW)	=	15 inches [38 cm]
Number of Encoder Pulses per 1 Sensor Revolution (P)	=	180

$$\frac{D \times GH \times GW}{1728} = \text{Cubic Feet of Discharge per 1 Sensor Revolution}$$

$$\frac{13 \times 7 \times 15}{1728} = .790 \text{ cubic feet of discharge per 1 sensor revolution}$$

$$[33] \times [7] \times [15] = 22,572 \text{ cubic cm of discharge per 1 sensor revolution}$$

**Note:** When cubic inches are being converted to cubic feet, it is necessary to divide the product by 1728. Because cubic cm are not being converted to another unit of measure, it is not necessary to divide the product for the calculation.

Finally, calculate the Spreader Constant value using one of the following formulas, using the example of a 180 CPR granular encoder. Write down this number for future reference when programming the console.

#### Rate in Pounds:

$$\frac{P}{\text{Cubic Feet of Discharge per 1 Sensor Revolution}} = \text{Spreader Constant Value}$$

$$\frac{180}{.790} = 228 \text{ Pounds}$$

#### Rate in Kilograms:

$$\frac{P \times 100,000}{\text{Cubic Feet of Discharge per 1 Sensor Revolution}} = \text{Spreader Constant Value}$$

$$\frac{180 \times 100,000}{22,572} = 797 \text{ Kilograms}$$

#### Catch Test Calculation

1. Verify that the Spreader Constant value is 0, with no decimal in METER CAL.
2. Enter a value of 200 in METER CAL.
3. Enter 0 in TOTAL VOLUME.
4. Run the machine under normal operating conditions, collecting a sample large enough to weigh accurately.
5. Weigh the sample that was collected.
6. Use the following formula to calculate the Spreader Constant value:

$$\frac{\text{METER CAL} \times \text{TOTAL VOLUME}}{\text{Actual Volume}} \times \frac{\text{Product Density}}{10} = \text{Spreader Constant Value}$$

**For Example:**

METER CAL	=	200
TOTAL VOLUME	=	200
Actual Volume (Weight of Collected Material)	=	128
Product Density	=	50 lbs./cu ft

$$\frac{200 \times 200}{128} \times \frac{50}{10} = 1562 \text{ (Spreader Constant Value)}$$

- Write down the Spreader Constant and product density values for future reference when programming the console.

**New Leader Mark IV Interface Spreader Constant Values**

**Important:** *This section applies only to New Leader equipment. Verify the spreader constant value as outlined in the Refining the Spreader Constant Value section on page 31 before performing field application.*

**3020 Box with 0.256 Chain and Belt Over Chain Mark IV Stepper Systems**

The starting spreader constant value for the 3020 box with 0.256 chain and belt over chain Mark IV stepper systems is 1172 for the first inch of the gate opening. The spreader constant value can be calculated for the desired gate height by dividing 1172 by the exact height of the gate opening. For your convenience, we have calculated the spreader constant values in one-inch increments listed below:

2" gate	=	586	7" gate	=	167
3" gate	=	391	8" gate	=	147
4" gate	=	293	9" gate	=	130
5" gate	=	234	10" gate	=	117
6" gate	=	195			

**2020 Box with 0.192 Chain and Belt Over Chain Mark IV Stepper Systems**

The starting spreader constant value for the 2020 box with 0.192 chain and belt over chain Mark IV stepper systems is 1563 for the first inch of the gate opening. The spreader constant value can be calculated for the desired gate height by dividing 1563 by the exact height of the gate opening. For your convenience, we have calculated the spreader constant values in one-inch increments listed below:

2" gate	=	782	7" gate	=	223
3" gate	=	521	8" gate	=	195
4" gate	=	391	9" gate	=	174
5" gate	=	313	10" gate	=	156
6" gate	=	261			

## Calculate the Meter Cal Value

No calculation of the Meter Cal value is necessary. Enter the product density in pounds/ft<sup>3</sup> [gram/liter] as the Meter Cal value.

**Note:** The Meter Cal value will vary according to the product being applied.

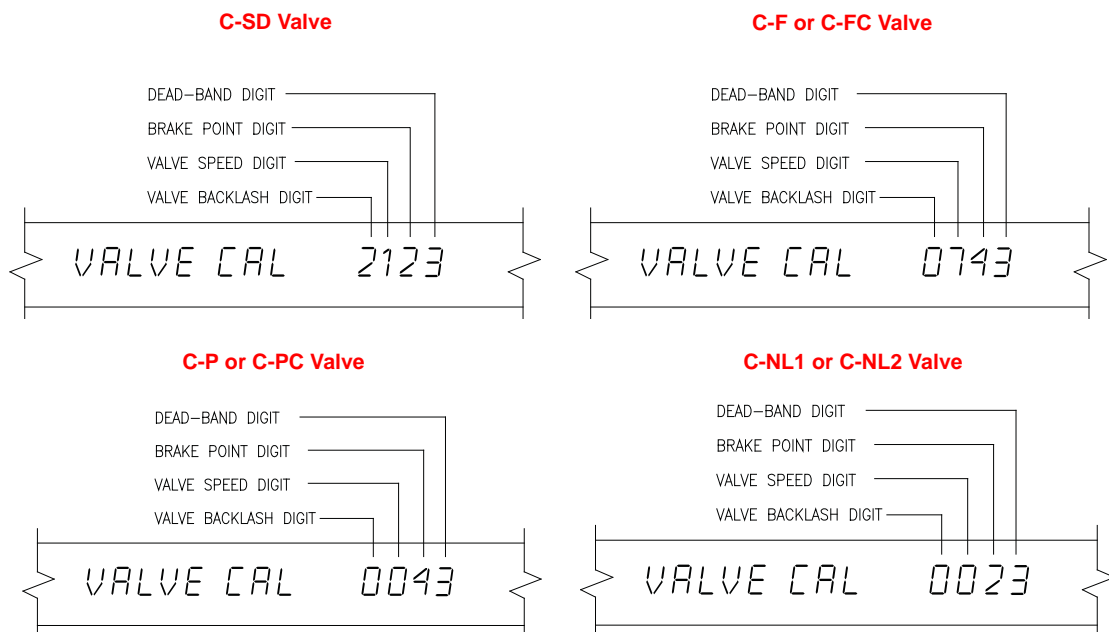
To increase the system accuracy when applying at low rates, use the decimal shift feature explained in the Decimal Shift Feature section on page 39.

## Calculate the Valve Cal Value

The Valve Cal figure is used to control the response time of the control valve motor to the change in the vehicle's speed. After operating the system, this number may be refined. The initial recommended control valve values are:

- C-SD (standard valve) = 2123
- C-FC (fast-close valve) = 743
- C-F (fast valve) = 743
- C-P (PWM valve) = 43
- C-PC (PWM close valve) = 43

FIGURE 2. Valve Calibration Definitions



Digit	Description	Range	Range Definition
Valve Backlash	Controls the time of the first correction pulse after a change in correction direction is detected (INC to DEC, or DEC to INC)	1 - 9	1 = Short Pulse 9 = Long Pulse
Valve Speed	Controls the response time of the control valve motor. <b>Caution: Running the control valve too fast will cause the system to oscillate.</b>	Refer to specific valve	Refer to specific valve
	C-SD Valve	1 - 9	1 = Slow 9 = Fast
	C-F and C-FC Valve	0 - 9	0 = Fast 9 = Slow
	C-P and C-PC Valve	0 - 9	0 = Slow 9 = Fast
Brake Point	Sets the percentage away from target rate at which the control valve motor begins turning at a lower rate.	0 - 9	0 = 5% 1 = 10% 9 = 90%
Dead Band	Allowable difference between the target and actual application rate, where rate correction is not performed.	1 - 9	1 = 1% 9 = 9%

## Calculate the Rate Cal Value

Determine the application rate pounds/acre [kg/ha] at which the chemical is to be applied. This figure is used as the Rate Cal value. Be sure to consult with the equipment manual to verify that the gate opening is capable of applying at that rate.

**Note:** *The Spreader Constant value must be recalculated every time the gate opening dimensions are changed.*



CHAPTER

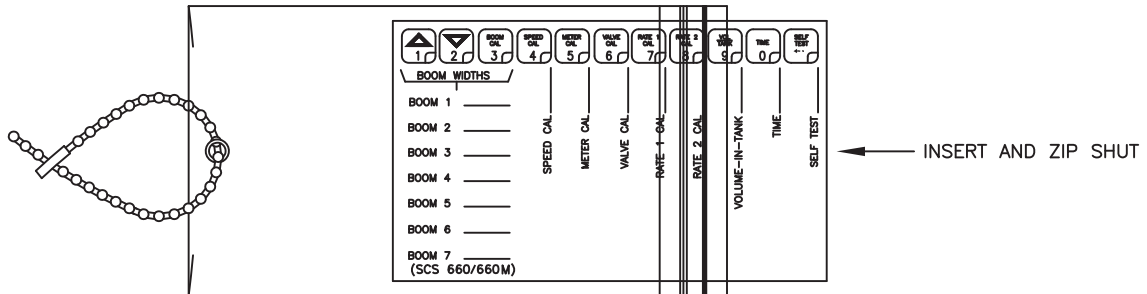
3

*Calibration Card*

*Introduction*

Located on the next page is a card that may be used to record the machine's calibration values. Write the calibration numbers in pencil so that they may be revised if necessary. Cut on the dotted line, fold, and insert the card into the plastic envelope provided for your convenience.

**FIGURE 1. Calibration Card Inserted into Envelope**








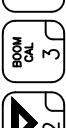






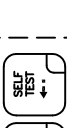

CUT ON DOTTED LINE

FOLD LINE

**WARNING:** DISCONNECT CONSOLE BEFORE JUMP STARTING, CHARGING BATTERY, OR WELDING ON EQUIPMENT.

**DATA ENTRY EXAMPLE: TO ENTER VALVE CAL.**

1. PRESS VALVE CAL KEY.
2. PRESS ENTER KEY.
3. PRESS KEYS REQUIRED, TO ENTER PROPER NUMBER.  
(EXAMPLE: KEYS    FOR 2123)
4. PRESS ENTER KEY AGAIN.

											
	BOOM WIDTHS			SPEED CAL	METER CAL	VALVE CAL	RATE 1 CAL	RATE 2 CAL	VOL TANK	TIME	SELF TEST
BOOM 1	BOOM 2	BOOM 3	BOOM 4	BOOM 5	BOOM 6	BOOM 7					

(SCS 660/660M)

## CHAPTER

# 4

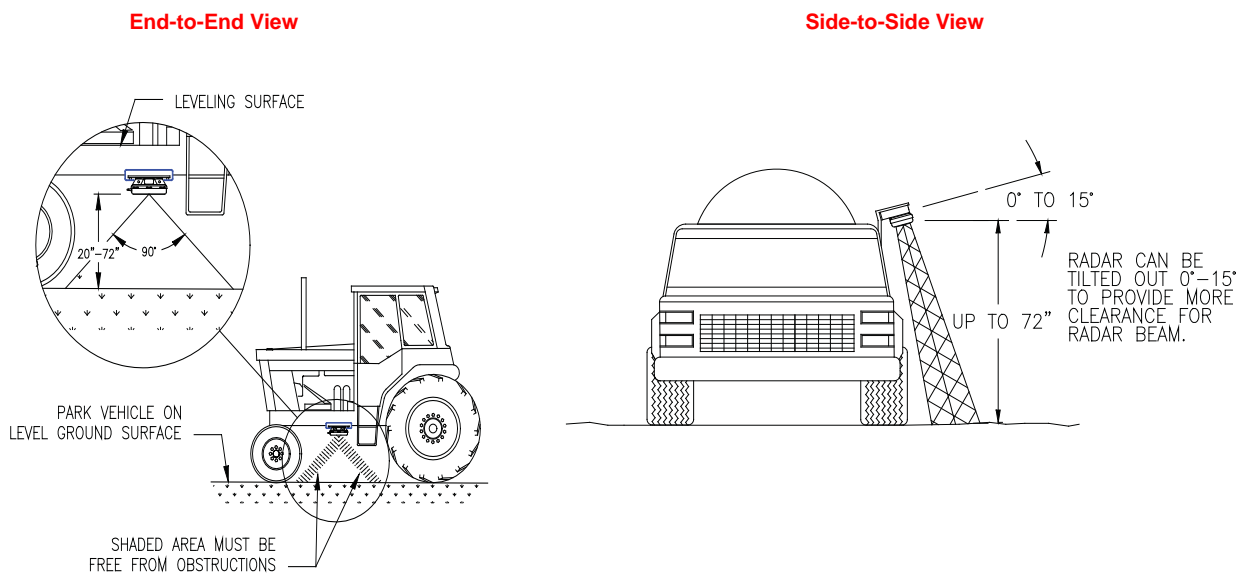
# Installation

## Sensor Installation

### Raven Radar Speed Sensor

**Note:** Raven Industries recommends the installation of a large, heavy mounting bracket (P/N 107-0159-693) on the machine's frame for mounting the radar speed sensor.

FIGURE 1. Radar Mounting Locations

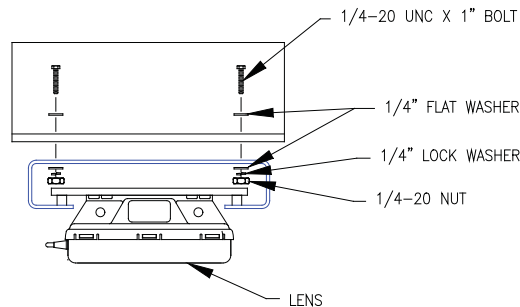


1. Park the machine on a level surface.
2. Select the radar mounting location on the machine, considering the following factors:
  - The line of sight from the lens to the ground must not be obstructed by structures or tires. Obstructions must not come closer to the bottom of the radar than 20"
  - When viewed from side of the machine (end-to-end view), the radar lens must be parallel to the ground.
  - When viewed from the front of the machine (side-to-side view), the radar may be tilted slightly, with no more than a 15° tilt to provide more clearance and avoid obstructions.

3. Use a level to verify that the selected mounting bracket location is parallel to the ground.
4. Bolt the mounting bracket to the machine.

**FIGURE 2. Radar Mounting**

---



5. Bolt the radar to the mounted bracket using the supplied mounting hardware.
6. Connect the radar power cable (P/N 115-0159-539) to the radar.

**Note:** The radar power cable will be connected to the console later in the procedure.

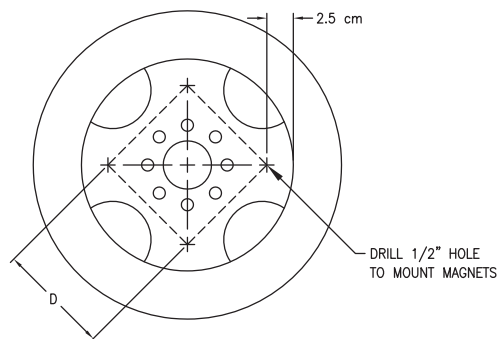
## Wheel Drive Speed Sensor

### Rim Drilling for Four and Eight Hole Wheel Stud Patterns - Optional

This section is required only on wheels that do not have pre-punched mounting holes. If your machine has the pre-punched mounting holes, proceed to the Mounting the Wheel Drive Speed Sensor section on the following page.

**FIGURE 3. Eight Hole Stud Pattern**

---



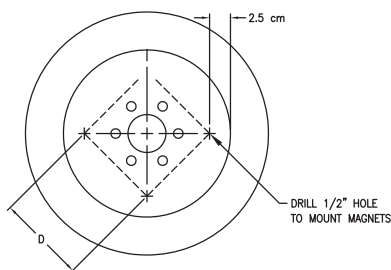
1. Using the illustration above, choose four opposing stud holes on the wheel.
2. Using the center of the opposing stud holes, draw two lines across the wheel, dividing the wheel into four equal parts.
3. Measure in one inch from the rim on each end of the lines and mark the wheel at each point.
4. Drill a 1/2" hole on each of the four marks.

**Note:** The distance between each set of drilled holes must be equal within 1/8" [3 mm] to ensure system accuracy.

## Rim Drilling for Six Hole Wheel Stud Patterns - Optional

This section is required only on wheels that do not have pre-punched mounting holes. If your machine has the pre-punched mounting holes, proceed to the Mounting the Wheel Drive Speed Sensor section.

FIGURE 4. Six Hole Stud Pattern



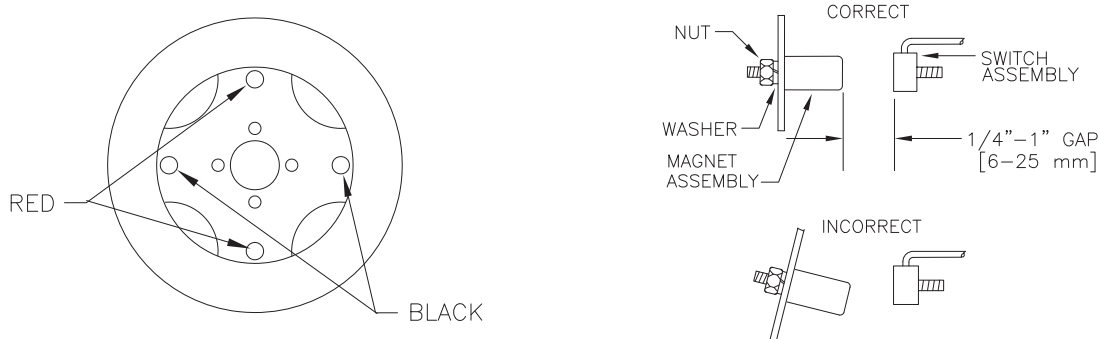
1. Cut a piece of wood so that it is an exact fit from the top edge of the rim to the bottom edge of the rim.
2. Measure the length of the cut wood block and mark the center.
3. Using the wood block as a guide, draw two lines across the wheel, dividing the wheel into four equal parts.
4. Measure in one inch from the rim on each end of the lines and mark the wheel at each point.
5. Drill a 1/2" hold on each of the four marks.

**Note:** The distance between each set of drilled holes must be equal within 1/8" [3 mm] to ensure system accuracy.

## Mounting the Wheel Drive Speed Sensor

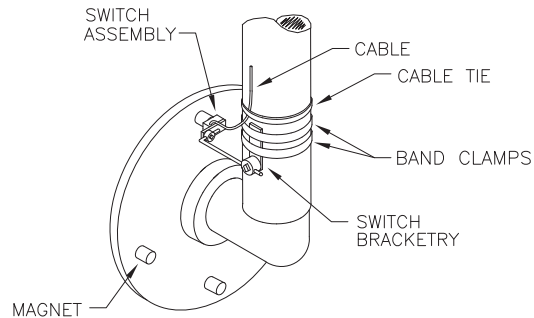
1. Select a non-driven wheel (a front wheel if the machine is rear-wheel drive, or a back wheel if the machine is front-wheel drive) on which to mount the sensors.

FIGURE 5. Wheel Magnet Mounting



2. Mount the four magnets in the pre-punched or drilled mounting holes on the inside of the wheel so that the red magnets are on opposite sides of the wheel.
3. Tighten the nuts on the wheel magnets to ensure they are installed securely.

FIGURE 6. Switch Assembly Installed

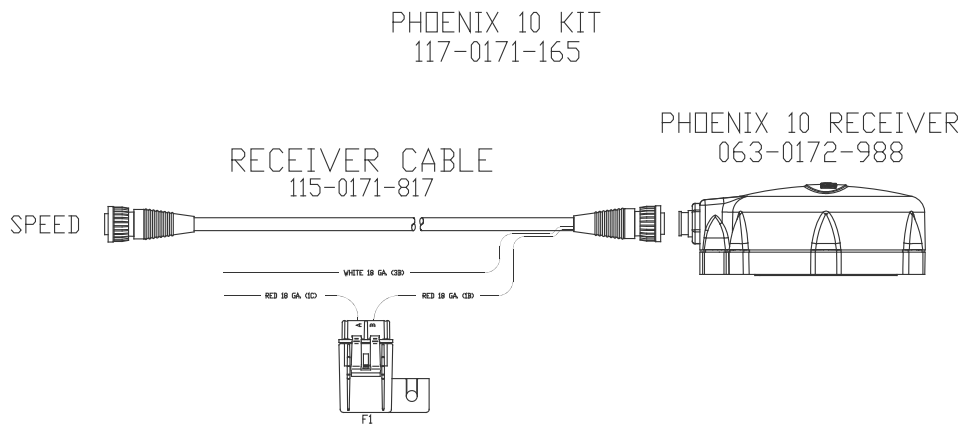


**Note:** The switch assembly does not need to pivot with the wheel.

4. Loosely mount the switch assembly to the wheel axle with the supplied hardware, positioning it so that as the wheel rotates, the magnets pass across the center of the switch assembly.
  - Clearance between the magnets and the switch assembly must be 1/4" - 1" [6 mm - 25 mm].
  - Make sure the machine's wheels can be turned to the extremes in each direction without the magnets coming in contact with the switch assembly.
5. Tighten the mounting hardware to secure the switch assembly.
6. Secure the switch assembly cable to the axle with zip ties.

## Phoenix 10 GPS Speed Sensor

FIGURE 7. Phoenix 10 Speed Sensor Installed

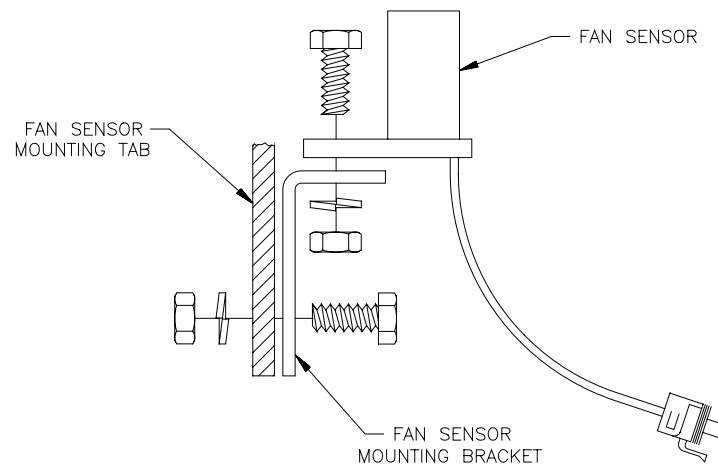


**Note:** The Phoenix 10 is powered by a 9 - 16 VDC negative ground system.

1. Turn off all equipment on the machine to avoid interference with the speed sensor setup.
2. Apply power to the speed sensor by connecting the white wire to a clean ground and the red wire to a clean switched power source.

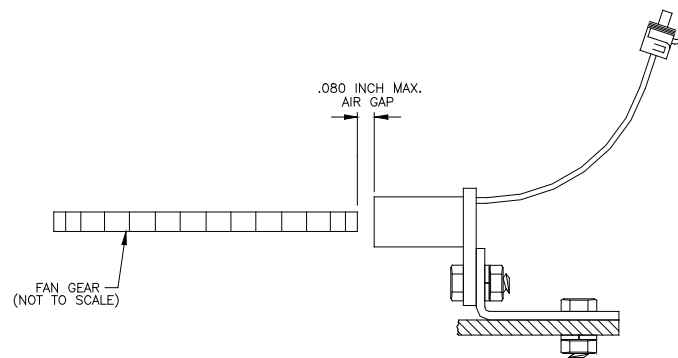
## Fan Sensor

**FIGURE 8. Fan Sensor Assembly**



1. Attach the fan RPM sensor to the fan sensor bracket using a stainless steel bolt, lock washer, and nut.
2. Mount the fan sensor assembly on the fan sensor mounting tab using a stainless steel bolt, lock washer, and nut.

**FIGURE 9. Fan Sensor Adjustment**

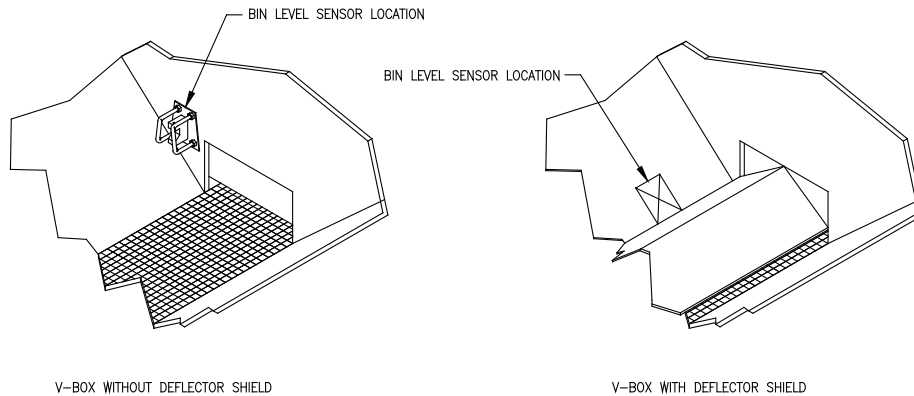


3. Adjust the air gap between the fan gear and fan sensor to between .040 and .080 inch.

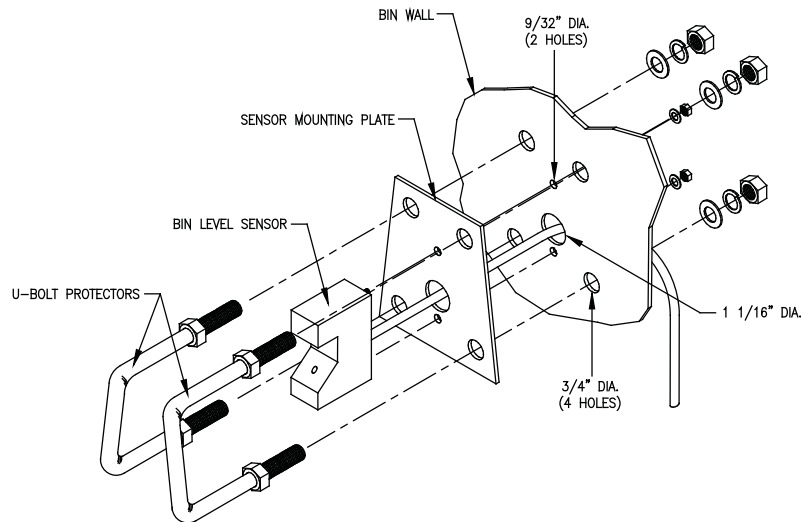
## Bin Level Sensor

The mounting location of the bin level sensor is influenced by the bin construction. Determine the type of bin being used and mount the sensor accordingly.

**FIGURE 10. Bin Level Sensor Mounting Locations**



**FIGURE 11. Mounted Bin Level Sensor**



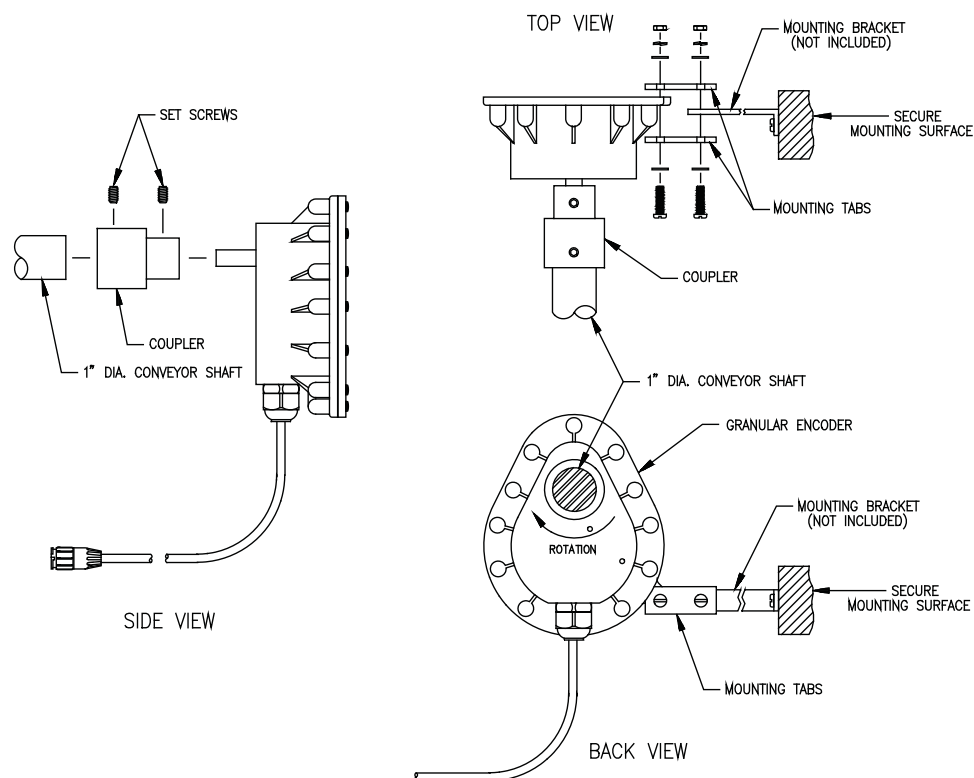
1. Use the mounting plate as a template to mark the holes in the appropriate bin sensor mounting location.
2. Drill and de-burr the mounting holes.
3. Align the mounting plate with the drilled mounting holes.
4. Route the sensor cable through the large mounting hole.
5. Secure the sensor to the mounting plate and bin using the U-bolt protectors, washers, and nuts.
6. Route the sensor cable to the flow cable connector.
7. Secure the sensor cable using plastic cable ties.



## Encoder Installation

### Mounting the Encoder

FIGURE 12. Encoder Installation Diagram



1. Install a mounting bracket (not supplied) to a secure mounting surface on the machine.
2. Apply grease to the encoder shaft, the conveyor shaft, and the encoder coupler.
3. Install the coupler on the end of the encoder.
4. Mount the encoder and coupler on the output shaft of the conveyor.
5. Install the provided set screws in the coupler to secure the encoder on the output shaft.
6. Install the mounting tabs on the encoder and the installed mounting bracket to prevent the encoder from rotating.

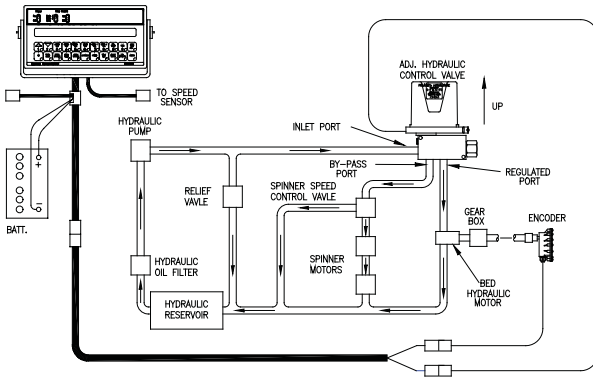
**Note:** Do not rigidly mount the encoder. The encoder should be supported by the coupler only - the mounting bracket is used only to prevent the encoder from rotating.

# Control Valve Installation

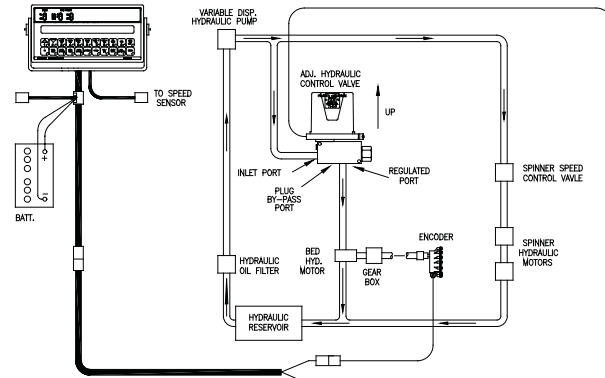
## Install the Control Valve

FIGURE 13. Control Valve Installation Diagram

### Spinner System

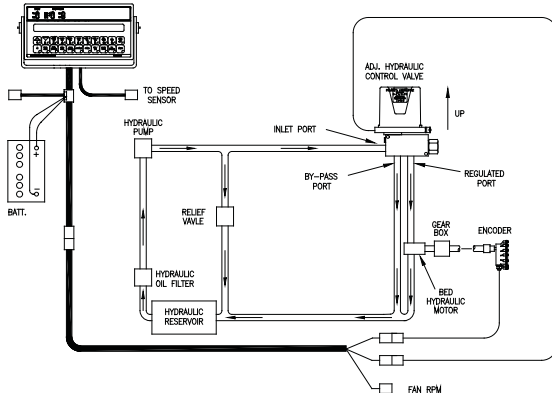


Open Hydraulic System (Fixed Displacement Pump)

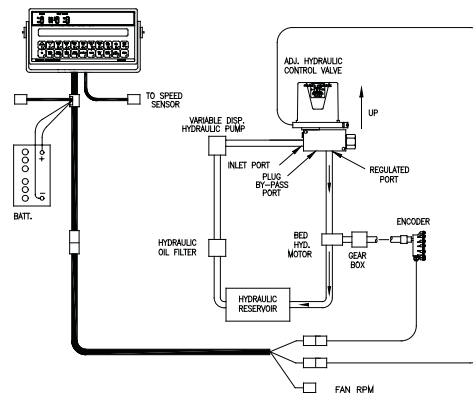


Closed Hydraulic System (Variable Displacement Pump)

### Pneumatic System



Open Hydraulic System (Fixed Displacement Pump)

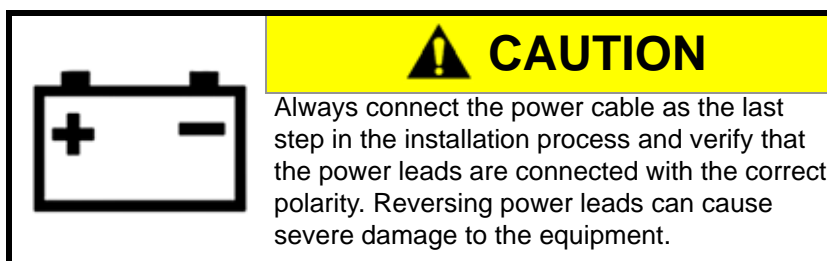


Closed Hydraulic System (Variable Displacement Pump)

1. Install the control valve with the motor in the upright position, in the location appropriate for the machine's configuration. Refer to the diagrams above.

## Console and Cabling Installation

**Note:** The SCS 660 control console is designed to be used with external boom switches. Boom signal wires are provided to communicate to the console which booms are turned ON and which are turned OFF. The console recognizes that a boom is turned ON whenever +12 VDC is applied to the boom signal wire. The boom signal wires must be connected to the switched side of the boom valve.



1. Mount the SCS 660 console to a secure area inside the machine's cab.

**Note:** The SCS 660 console should be mounted in the machine's cab so that the machine operator has easy access to it.

2. Connect the female end of the console control cable into the back of the console.
3. If using the Raven radar speed sensor:
  - Connect the red wire on the radar power cable to the orange cable wire on the console control cable.
  - Connect the white wire on the radar power cable to the white wire on the console control cable.
4. Turn the POWER ON/OFF switch on the console to OFF.
5. Route the red wire on the console control cable to the 12 VDC battery and connect it to the positive (+) battery terminal.
6. Route the white wire on the console control cable to the 12 VDC battery and connect it to the negative (-) battery terminal.

**Important:** Do not connect the red and white wires to the machine's starter!

7. Secure the battery wires with zip ties.

**Important:** Do not secure the battery wires near the existing battery leads or any other electrical wiring.

8. Connect the speed sensor cable to the back of the console.
9. Connect the male end of the console cable to the main female connector on the flow control cable.
10. Secure the speed sensor cable and console control cable with zip ties.

FIGURE 14. SCS 660 Console Cabling Diagram

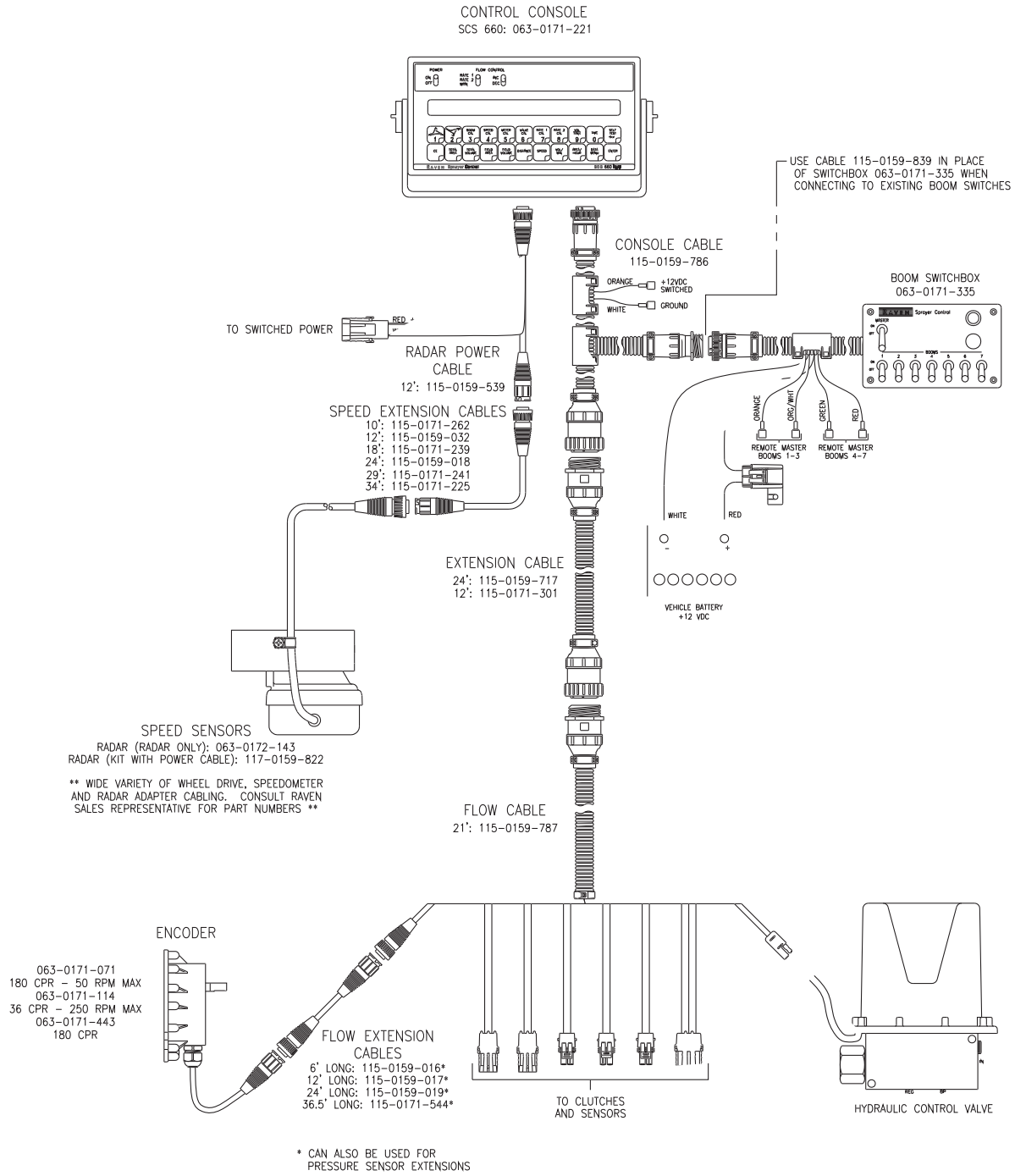
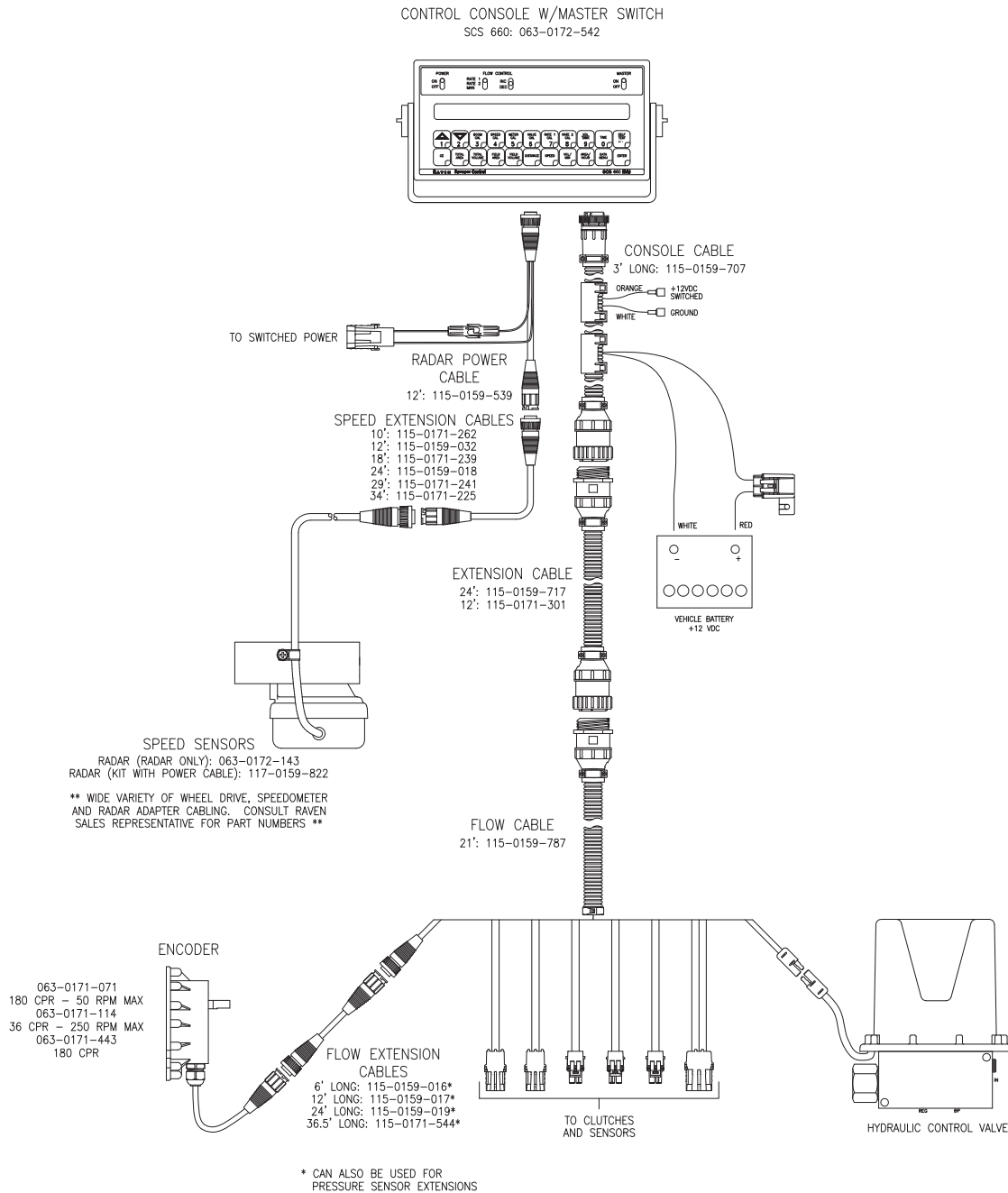
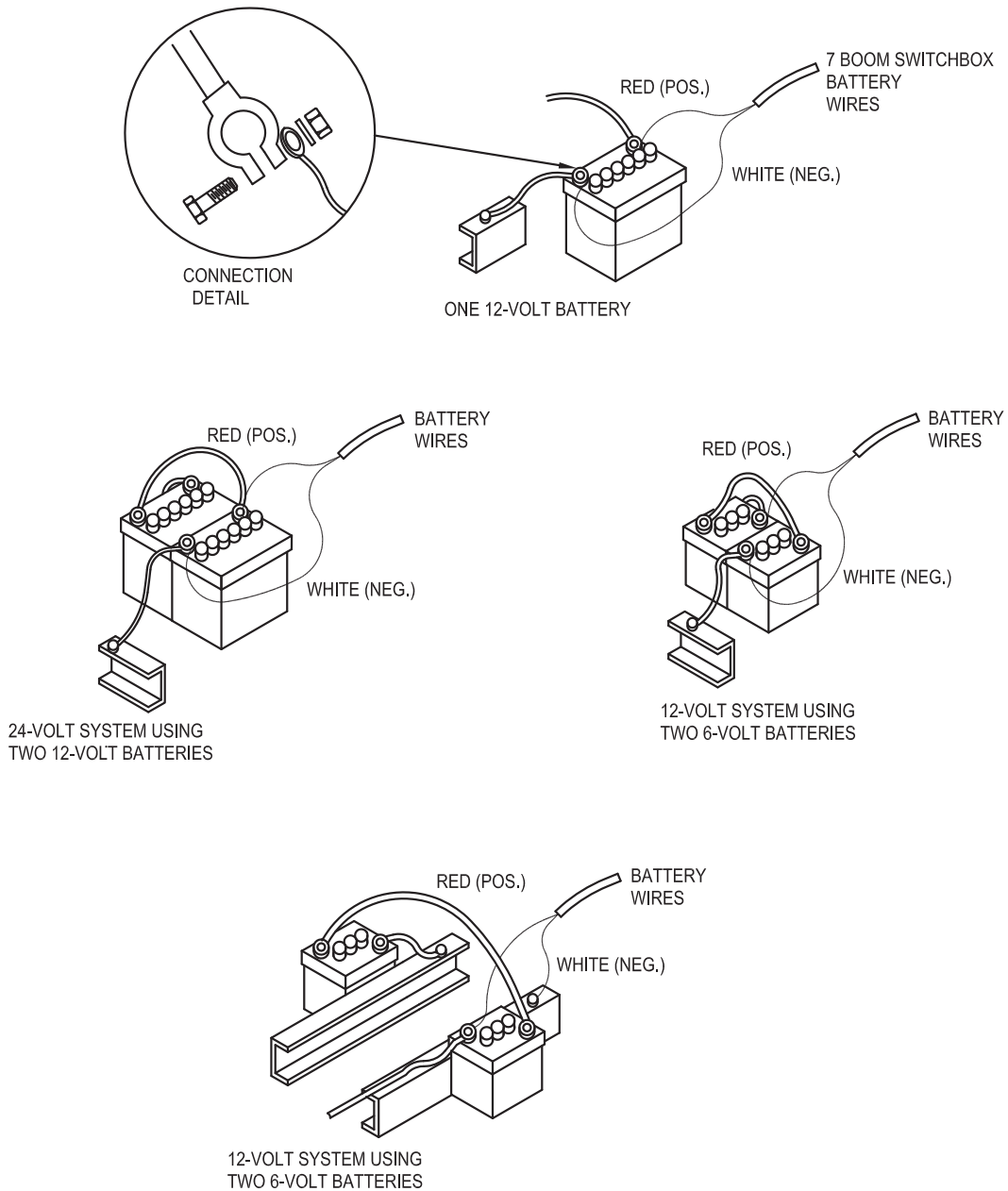


FIGURE 15. SCS 660M Console Cabling Diagram



## Battery Connections

**Note:** *If the system will not be used for an extended period of time (for example, two weeks), be sure to disconnect the SCS 660 battery wires. If the wires are not disconnected and the SCS 660 is only turned OFF, the system will continue to draw 0.25 milliamperes of current to maintain information stored in the console computer, draining the battery.*



## CHAPTER

# 5

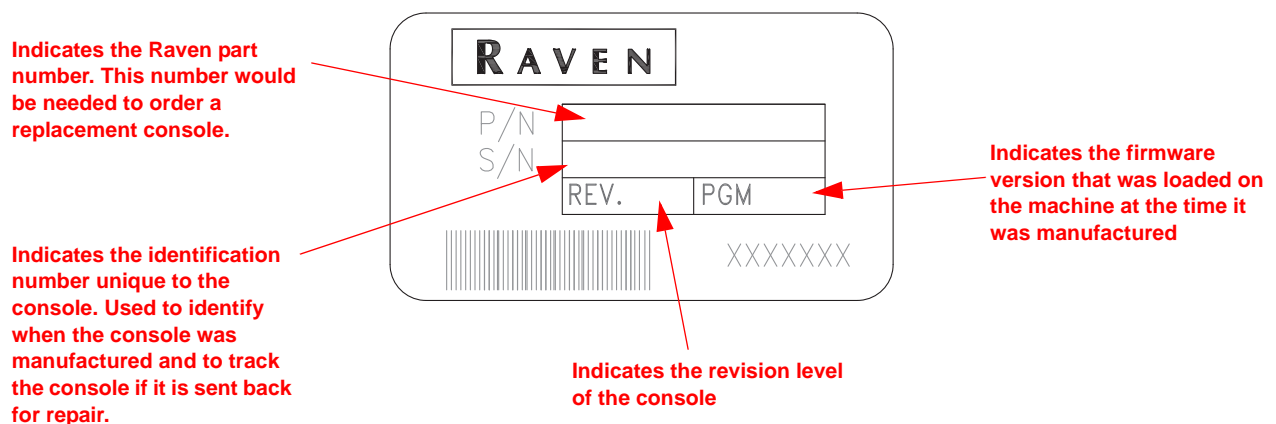
# Console Programming and Calibration

**Important:** The SCS 660 console requires the selection of volume rate (US, SI, or TU), speed sensor type (SP1 or SP2), application type (LI, GR1, and GR2) and valve type (C-SD - standard valve, C-F - fast valve, C-FC - fast close valve, C-P - PWM valve, C-PC - PWM close valve, C-NL1-NL 1 VALVE - hall effect, or C-NL2-NL 2 VALVE - reed effect). Hold the SELF TEST key to review the selections.

## Console Identification

There may be situations that arise during which it may be necessary to contact Raven Industries with questions about the SCS 660 system. The SCS 660 console has an identification label affixed that contains information useful to the Raven customer support team to identify potential issues with the console or system. Please refer to this information on the console when calling to request assistance.

FIGURE 1. Identification Label



# Console Features

FIGURE 2. SCS 660 Serial Console

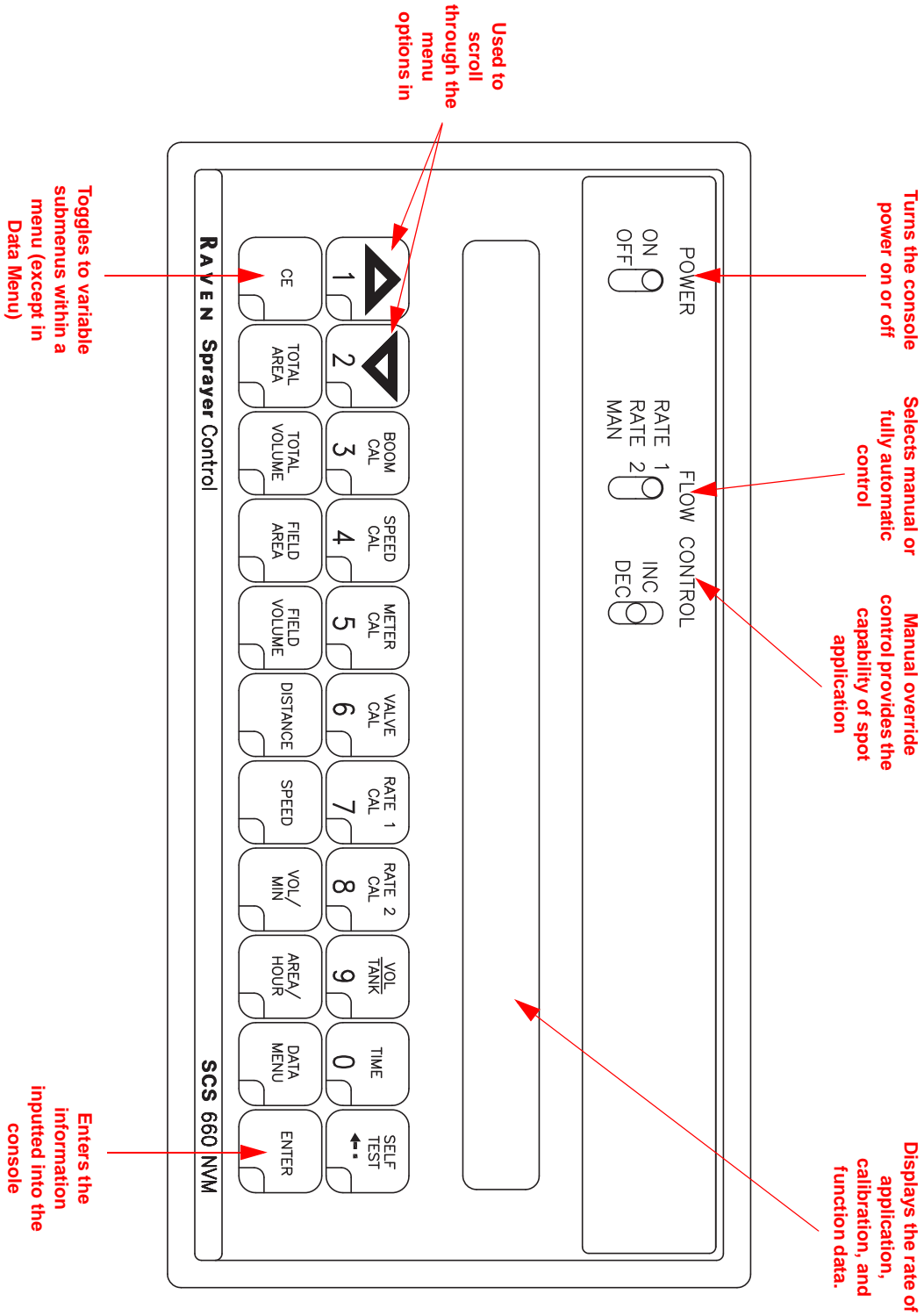
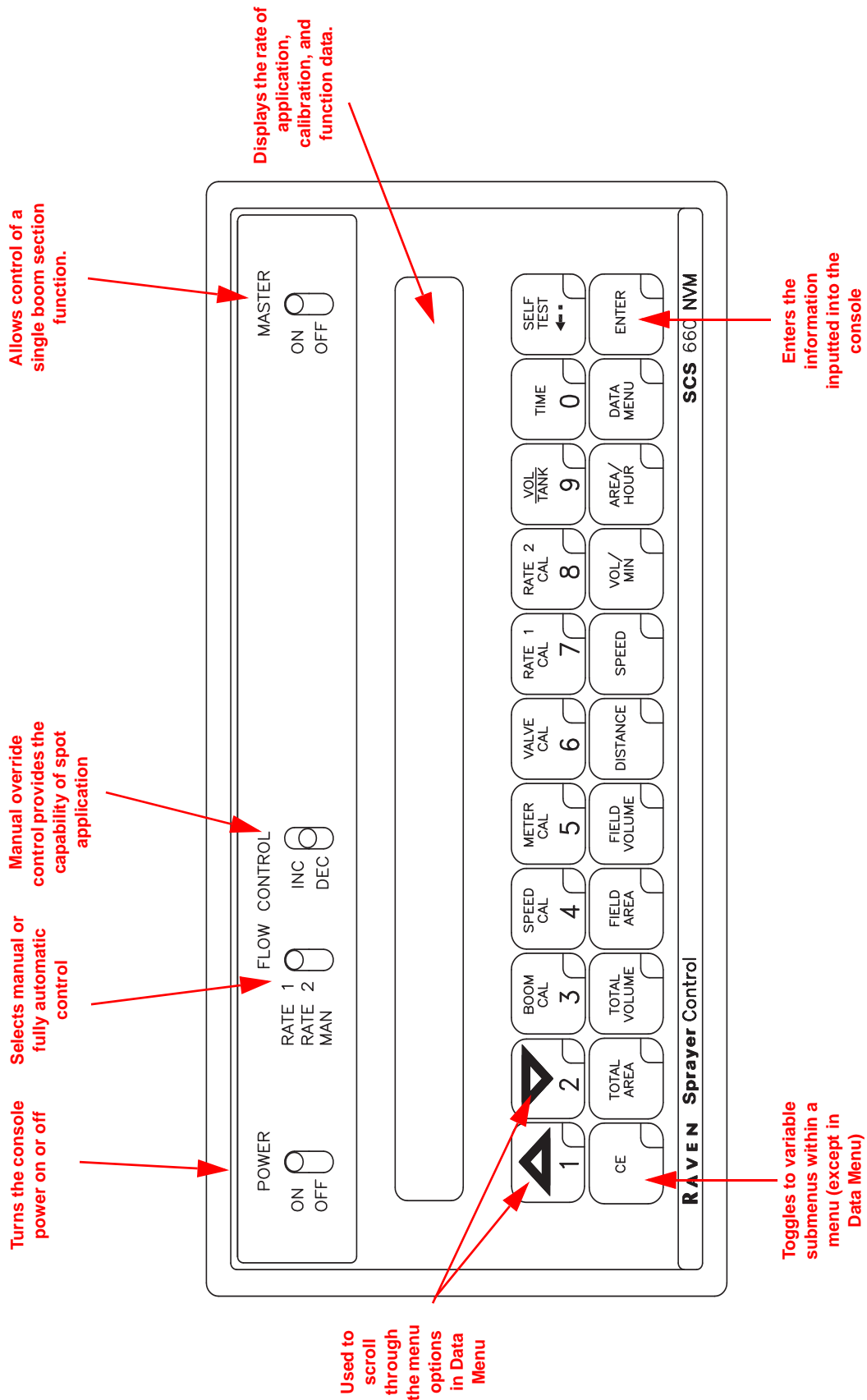




FIGURE 3. SCS 660M Serial Console



## Button Definitions

### Calibration Buttons

The calibration buttons are used to enter data into the console when calibrating the system. Refer to the table below for the button names and functions.

Button Name	Function
BOOM CAL	Length of the boom. Select the boom number by using the up/down arrow keys.
SPEED CAL	Determined by speed sensor.
METER CAL	Meter calibration number.
VALVE CAL	Valve response time
RATE 1 CAL	Target application rate.
RATE 2 CAL	Target application rate.
TIME	24 hour clock (military time).

### Function Buttons

The function buttons are used to display the data on a particular aspect of the application. Refer to the table below for the button names and functions.

Button Name	Function
TOTAL AREA	Displays total area applied. To zero out this figure, press ENTER, 0, then ENTER in this menu.
TOTAL VOLUME	Displays total volume applied. To zero out this figure, press ENTER, 0, then ENTER in this menu.
FIELD AREA	Displays field area applied. To zero out this figure, press ENTER, 0, then ENTER in this menu.
FIELD VOLUME	Volume applied to the field. To zero out this figure, press ENTER, 0, then ENTER in this menu.
DISTANCE	Displays distance traveled. To zero out this figure, press ENTER, 0, then ENTER in this menu.
SPEED	Displays the vehicle's speed.
VOL/MIN	Displays the volume per minute applied.
AREA/HOUR	Calculates the total area covered per hour at the present speed (not an average).
DATA MENU	Used for data logging and variable rate commands.
SELF TEST	Displays data after selecting volume rate, speed sensor type, or valve type.

## Console Programming

### Data Entry

**Note:** *Data must be entered for all booms and for each of the variables. If a boom is not in use, enter 0 as the value for that boom.*

1. Press the number key that corresponds with the variable to be changed:
  - 3 - BOOM CAL
  - 4 - SPEED CAL
  - 5 - METER CAL
  - 6 - VALVE CAL
  - 7 - RATE 1 CAL
  - 8 - RATE 2 CAL
2. Press ENTER. The name of the variable being changed and the letter E will appear in the display.
3. Use the number buttons to enter the value.
4. Complete the data entry by pressing ENTER.

### Initial Console Programming

After all installation steps have been performed and the console power is turned on, the message “CAL US - VOLUME PER ACRE” will appear in the console’s display. This indicates that the console must be calibrated (or programmed) before it can be operated. Console calibration is a one-time procedure that, once it has been performed, does not have to be repeated. Turning off the POWER ON/OFF switch does not affect the console’s memory - all data is retained.

**Important:** *If an entry or selection error is made during the first six steps of this procedure, turn the POWER ON/OFF switch to the OFF position, press CE and hold while turning the POWER ON/OFF switch to the ON position to reset the console.*

*Refer to the values that were calculated in the Calculating Machine’s Calibration Values section on page 5 when performing the initial console programming.*

1. Select the unit of measure (US - Volume per Acre, TU - Volume per Square Feet, or SI - Volume per Hectare) by pressing the CE button until the desired unit of measure appears in the display.
2. Press ENTER. The message “CAL SP1-WHEEL DRIVE” will appear in the console’s display.
3. Select the type of sensor being used by pressing the CE button until the desired sensor type appears in the display.

**Note:** *If the Phoenix 10 GPS speed sensor is being used, select SP-2 RADAR as the speed sensor type.*

4. Press ENTER. The message “LI LIQUID SPRAYER” will appear in the console’s display.
5. Select the type of application (LI - Liquid Sprayer, GR1 - Single Bed Belt, GR2 - Split Bed Belt) by pressing the CE button until the desired application type appears in the display.
6. Press ENTER. The message “CAL C-SD STANDARD VALVE” will appear in the console’s display.
7. Select the type of valve being used by pressing the CE button until the desired valve type appears in the display.



8. Press ENTER. The message “CAL SELF TEST 00” will appear in the console’s display.
9. Press the BOOM CAL button. The message “CAL BOOM 1 CAL” will appear in the console’s display.
10. Enter the boom width that was previously calculated.
11. Use the arrow keys to advance to the remaining booms and enter the data for each boom.

**Note:** *If a boom is not being used, enter 0 for the boom length.*

12. Press the SPEED CAL button and enter the appropriate speed cal value for the type of sensor being used.

**Note:** *The SPEED CAL value will have to be calibrated if Raven radar is not being used.*

13. Press the METER CAL button and enter the product density in pounds [gram/liter] as the Meter Cal value.
14. Press and hold the METER CAL button for five seconds and enter the Spreader Constant value.
15. Press the VALVE CAL button and enter the calibration number that corresponds with the control valve being used.
16. Press the RATE 1 CAL button and enter the Rate 1 value that was previously calculated.
17. Press the RATE 2 CAL button and enter the Rate 2 value that was previously calculated.

**Note:** *If a second rate is not being used, enter the same value that was entered for the Rate 1 Cal.*

The initial console programming is now complete, and the flashing “CAL” in the console’s display should turn off. If it does not, repeat the procedure starting from step 7 above.

### Refining the Speed Cal Value - Raven Radar Only

The initial Speed Cal value when using Raven radar is 598 [152]. However, after initial console programming, it may be necessary to refine this number to improve the system’s performance. Complete the following steps to refine the speed cal value:

1. Set the boom POWER switches to ON.
2. Turn all other boom switches OFF.
3. Press the DISTANCE button on the SCS 660 console.
4. Enter 0 as the value.
5. Drive 1 mile [1 km].

**Note:** *Do not use the vehicle’s odometer to determine the distance. Use highway markers or section lines to measure the distance traveled. To achieve the most accurate calibration, accelerate and decelerate slowly.*

6. Press the DISTANCE button. The value should be approximately 5280 [1000]. If the value is between 5260 - 5300 [990 - 1010], the speed cal value for the machine is 598 [152]. If the value is any other value, use the following formula to recalculate the speed cal value.

$$\frac{\text{Old SPEED CAL X 5280}}{\text{DISTANCE VALUE}} = \text{Adjusted Speed Cal}$$

**For Example:** Assume that the DISTANCE value is actually displayed as 5000 [980].

$$\frac{598 \times 5280}{5000} = 631.48 \text{ (English)}$$

$$\frac{[152] \times [1000]}{[980]} = 155 \text{ [metric]}$$

**Important:** The new Speed Cal value must be rounded to the nearest whole number.

7. Enter the adjusted Speed Cal value.
8. Recheck the new Speed Cal value by repeating the steps above.

### Refining the Speed Cal Value - Phoenix 10 Speed Sensors Only

The initial Speed Cal value when using the Phoenix 10 speed sensor is 785 [200]. However, after initial console programming, it may be necessary to refine this number to improve the system’s performance. Complete the following steps to refine the speed cal value:

1. Verify the SCS 660 console is powered ON.
2. Press the DISTANCE button on the SCS 660 console.
3. Enter 0 as the value.
4. Drive 1 mile [1 km].

**Note:** Do not use the vehicle’s odometer to determine the distance. Use highway markers or section lines to measure the distance traveled. To achieve the most accurate calibration, accelerate and decelerate slowly.

5. Check the value in the display. It should be approximately 5280 [1000]. If the value is between 5260 - 5300 [990 - 1010], the speed cal value for the machine is 785 [200]. If the value is any other value, use the following formula to recalculate the speed cal value.

$$\frac{\text{Old SPEED CAL X 5280}}{\text{DISTANCE VALUE}} = \text{Adjusted Speed Cal}$$

**For Example:** Assume that the DISTANCE value is actually displayed as 5000 [980].

$$\frac{785 \times 5280}{5000} = 743.4 \text{ (English)}$$

$$\frac{[200] \times [1000]}{[980]} = 204.1 \text{ [metric]}$$

**Important:** The new Speed Cal value must be rounded to the nearest whole number.

6. Enter the adjusted Speed Cal value.
7. Recheck the new Speed Cal value by repeating the steps above.

### Refining the Spreader Constant Value

The initial Spreader Constant value was calculated in the *Calculate the Spreader Constant Value* section on page 6. However, after initial console programming it is recommended that this value be verified and refined to improve the system’s performance. Complete the following steps to refine the spreader constant value:

1. Load the vehicle with the product to be used.
2. Weigh the loaded vehicle and write down the weight.
3. Press the METER CAL button and enter the product density in lbs./cu. ft. [grams/liter].



4. Press TOTAL VOLUME and enter 0 as the value.
5. Switch the RATE 1/RATE 2/MAN switch to the MAN position.
6. Unload a portion of the product by turning the boom switch to ON.
7. Determine the actual weight unloaded by re-weighing the vehicle and subtracting the vehicle's current weight from the beginning weight.
8. Compare the weight difference to the value in TOTAL VOLUME. The weight of the product unloaded should be equal to the weight in TOTAL VOLUME. If the values are different, use the following formula to recalculate the spreader constant value:

$$\frac{\text{Old Spreader Constant X TOTAL VOLUME}}{\text{Actual Weight Unloaded}} = \text{Adjusted Spreader Constant}$$

**For Example:**

Old Spreader Constant Value	=	228 [797]						
TOTAL VOLUME Value	=	2000 lbs. [440 kg]						
Actual Weight Unloaded	=	1950 lbs. [4290 kg]						
<table style="width: 100%; border-collapse: collapse;"> <tr> <td style="width: 50%; text-align: center;"> <math display="block">\frac{228 \times 2000}{1950}</math> </td> <td style="width: 10%; text-align: center;">=</td> <td style="width: 40%; text-align: center;">234 lbs.</td> </tr> <tr> <td></td> <td></td> <td style="text-align: right;">Corrected Spreader Constant Value</td> </tr> </table>			$\frac{228 \times 2000}{1950}$	=	234 lbs.			Corrected Spreader Constant Value
$\frac{228 \times 2000}{1950}$	=	234 lbs.						
		Corrected Spreader Constant Value						
<table style="width: 100%; border-collapse: collapse;"> <tr> <td style="width: 50%; text-align: center;"> <math display="block">\frac{[797] \times [4400]}{[4290]}</math> </td> <td style="width: 10%; text-align: center;">=</td> <td style="width: 40%; text-align: center;">[817]</td> </tr> <tr> <td></td> <td></td> <td style="text-align: right;">Corrected Spreader Constant Value</td> </tr> </table>			$\frac{[797] \times [4400]}{[4290]}$	=	[817]			Corrected Spreader Constant Value
$\frac{[797] \times [4400]}{[4290]}$	=	[817]						
		Corrected Spreader Constant Value						

9. Enter the adjusted Spreader Constant value.
10. Recheck the new Spreader Constant value by repeating the steps above.

## Programming for New Leader Mark IV Interface

**Important:** *This section applies only to New Leader equipment.*

1. Select US as the unit of measure by pressing the CE button until the until US appears in the display.
2. Press ENTER. The message "CAL SP1-WHEEL DRIVE" will appear in the console's display.
3. Select the type of sensor being used by pressing the CE button until the desired sensor type appears in the display.

**Note:** *If the Phoenix 10 GPS speed sensor is being used, select SP-2 RADAR as the speed sensor type.*

4. Press ENTER. The message "LI LIQUID SPRAYER" will appear in the console's display.
5. Select GR1 (single bed belt) by pressing the CE button until GR1 appears in the display.
6. Press ENTER. The message "CAL C-SD STANDARD VALVE" will appear in the console's display.
7. Select C-NL1 for the "hall effect" control valve or C-NL2 for the reed switch control valve by pressing the CE button until the desired valve type appears in the display.
8. Refer to the steps in the *Initial Console Programming* section on page 29 to complete the console programming.

## Changing Initial Console Programming

Occasionally it is necessary to make changes to the console programming after the initial programming is complete. To make changes to the initial setup:

1. Press SELF TEST and hold it for 30 seconds. The console's display will flash the current program setting.
2. Press ENTER to advance to the setting that needs to be changed.
3. Press CE to change the variable to the desired setting.
4. Complete the data entry by pressing ENTER.
5. Repeat the steps above for each variable that needs to be changed.

## Programming Additional System Data

Although it is not required for system operation, data may be entered in the VOL TANK and TIME submenus.

### Vol Tank

1. Press the VOL TANK button.
2. Press ENTER.
3. Enter the estimated volume of product in the tank.
4. Press ENTER.

**Note:** *The VOL TANK variable will have to be updated each time the tank is refilled.*

### Time and Date

**Note:** *The system runs on a 24 hour clock. Therefore, for any time after 12:59 pm, add 12 hours to the time. For example, 8:30 am is entered as 8:30, but 1:30 pm is entered as 13:30 on the keyboard.*

1. Press the TIME button. The message "RATE 0.0 TIME 0:00" will appear in the console's display.
2. Enter the time.
3. Press ENTER.
4. Use the arrow keys to toggle to the date fields (MONTH, DAY, YEAR) and enter the data for each of the fields.

### Power Down

If the console is not used for 10 days, it reverts to a power down (low power) mode by default. In this mode, all data is retained, but the time of day clock will reset to 0:00. The default date may be changed from 10 days to a number preferred by the user. To change the default power down value:

1. Press the TIME button. The message "RATE 0.0 TIME 0:00" will appear in the console's display.
1. Use the arrow keys to toggle to POWER DOWN.
2. Enter the desired default power down value (the number of days before the system clock is reset to 0:00).

## System Features

### Data Menu

Pressing the DATA MENU button displays the menu options by name and the default setting. Use the arrow keys to scroll through the menu options.

Menu Option	Function
PRINT FIELD BEGIN	Sends data through the serial port to the attached printer (optional - not supplied by Raven) to Print Field Begin and Print Field End pages. Pressing CE will toggle between the two pages. <ol style="list-style-type: none"> <li>1. Press ENTER to print the Print Field Begin. The display will now show PRINT FIELD END.</li> <li>2. PRESS ENTER to print the Print Field End.</li> </ol>
ALARM ON	Turns the audible alarms on and off for the Vol/Minute Rate Fault, Volume/Area Rate Alarm, Low Tank Fault, Right Shaft Fault, Left Shaft Fault, and Bin Level Fault features. Pressing CE will toggle between Alarm On and Alarm Off.
DISPLAY SMOOTHING ON	Turns display smoothing on and off. Display Smoothing On adjusts the console to display the target rate when the actual rate is within 10% of the target rate. Display Smoothing Off displays the actual target rate. Pressing CE will toggle between the two settings.
FAN RPM 0	Displays the fan's RPM in the console's display.
SHAFT 1 FAULT OFF	Turns the left shaft fault detector on and off. When the fault detector is On, the alarm sounds and the display flashes "SHAFT 1" if the left shaft should be rotating, but is not.
SHAFT 2 FAULT OFF	Turns the right shaft fault detector on and off. When the fault detector is On, the alarm sounds and the display flashes "SHAFT 2" if the right shaft should be rotating, but is not.
BIN LEVEL FAULT OFF	Turns the bin level fault detector on and off. When the fault detector is turned On, the alarm sounds and the display flashes "BIN LEVEL" if the granular level drops below the bin level sensor.
FAN CAL 0	Displays and allows the entry of the fan calibration value.
RATE CHANGE ALARM ON	Turns the rate change alarm on and off. When the rate change alarm is turned on, an alarm emits 4 long beeps when the Rate 1 cal value is changed via the serial port using a valid change request data string.
GPS FILE REF 1	This application is not currently used in the SCS 660 system.
GPS INACTIVE	This application is not currently used in the SCS 660 system.
FIELD REF 0	Allows the user to enter up to a four-digit number to represent a field. Field reference is included in the field begin and field end pages and the data logger time/date string.
BAUD RATE 9600	Used in the data logging mode. The baud rate option is 1200 - 9600 baud.
DATA LOG TRIGGER VALUE 0	Used in the data logging mode. The trigger determines how often the actual rate data string is sent to the serial port. The trigger may either be in feet/meters or seconds. The default value is set to zero. This value must be changed to a number ranging from 1 - 9999, or the data logger feature will not work.
DATA LOG TRIGGER UNITS FEET	Used in the data logging mode. The trigger may either be in feet/meters or seconds. Pressing CE will toggle between the FEET (METER) and SEC.
DATA LOG OFF	Turns the data logger on and off.  <b>Note:</b> <i>The trigger value must be set to a value other than zero in order to toggle DATA LOG to ON.</i>



Menu Option	Function
PRESS ENTER TO CAL PRESSURE	Used to set the zero point of the pressure transducer for pressure display.
OFF RATE PERCENT 30	Used to set the percent of off-target value. The alarm sounds when the actual rate is off from the target rate by a specified percentage. The off-target value is preset to 30%, but may be changed to a different number.
HIGH PWM OFFSET 253	Used to set the maximum desired RPM or hydraulic output of the Pulse-Width Modulated (PWM) control valve. <ol style="list-style-type: none"> <li>1. In the DATA MENU, use the arrow keys to advance to HIGH PWM OFFSET 253.</li> <li>2. Move the product switch to MAN and the boom switches and master switch to ON.</li> <li>3. Hold the INC/DEC switch to increase the RPMs. If the motor exceeds the desired RPMs, decrease the number by 10 and push INC again.</li> <li>4. Decrease the 253 value displayed until the motor runs at the desired RPM.</li> <li>5. Enter a number of 10 or greater.</li> <li>6. Press the arrow up key to advance to LOW PWM OFFSET 1.</li> </ol>
LOW PWM OFFSET 1	Used to set the minimum desired RPM or hydraulic output of the control valve. Used to set the zero point or shut-off point of the PWM control valve. <ol style="list-style-type: none"> <li>1. In the DATA MENU, use the arrow keys to advance to LOW PWM OFFSET 1.</li> <li>2. Move the product switch to MAN and the boom switches and master switch to ON.</li> <li>3. Hold the INC/DEC switch to decrease the RPMs until the motor stops.</li> <li>4. Increase the value displayed until the motor runs at the desired RPMs.</li> <li>5. Enter a number of 10 or fewer.</li> <li>6. Hold the INC/DEC switch to decrease. If the motor does not stop, lower the offset number by 10 and push DEC again.</li> <li>7. Press the arrow up key to advance to LOW PWM OFFSET 1.</li> </ol>
PWM FREQUENCY 122	Used to enter the coil frequency of the PWM valve type being used. The default frequency is 122 Hz.
PRESS ENTER FOR DATA-LOCK	Sequence to activate the data lock code, the feature that prohibits data entry without the data lock code. The four-digit code must be entered within 15 seconds.

## Data Logger On/Off

The data logger uses communication strings to pass data through the serial port based on the values entered in DATA LOGGER TRIGGER VALUE and DATA LOGGER TRIGGER UNITS. Whenever a value or console switch is changed, data strings are sent by the console to the remote computer.

**Note:** When connecting to a Raven field computer, it is not necessary to turn the DATA LOGGER on.

Some options within the Data Menu are unavailable when certain other features are active. The console data printout is not available when the data logger is on.

### Remote Computer to SCS 660 Console Data Strings

All request strings begin with \$R, indicating a Raven communication string.



Rate 1 Change Request = \$R, RC, <rate\_1\_cal> <CR> <LF>

Calibration String Values Request = \$R, CR <CR> <LF>

Data String Request = \$R, DR <CR> <LF>

**SCS 660 Console to Remote Computer Data Strings**

All request strings begin with \$R, indicating a Raven communication string. In the example below, the 126 value indicates the last three digits of the programmed chip part number in the console, and C is the software revision letter of the console.

- Calibration strings = \$R126C, C1, <switch\_byte\_1>, <switch\_byte\_2>, <boom\_1\_cal>, <boom\_2\_cal>, <boom\_3\_cal>, <boom\_4\_cal>, <boom\_5\_cal>, <boom\_6\_cal>, <speed\_cal> <CR> <LF>
- = \$R126C, C2, <meter\_cal>, <CR> <LF>
- = \$R126C, C3, <valve\_cal>, <rate\_1\_cal>, <rate\_2\_cal> <CR> <LF>

Bit	Switch Byte 1	Switch Byte 2
0	boom 1	0
1	boom 2	0
2	boom 3	0
3	boom 4	rate 1
4	boom 5	rate 2
5	boom 6	0
6	0	0
7	1	1

Note: If rate 1 and rate 2 are both zero, the console is in Manual mode. For switch bytes, 0 = off and 1 = on.

- Data Strings = \$R126C, D1, <total\_area>, <field\_area> <CR> <LF>
- = \$R126C, D2, <total\_volume>, <field\_volume> <CR> <LF>
- = \$R126C, D3, <tank\_volume>, <distance> <CR> <LF>

Actual Rate = \$R126C, AR <actual\_rate> <CR> <LF>

Time/Date = \$R126C, TD, <hr:min>, <month/day/year>, <field\_reference> <CR> <LF>

**Self Test Feature**

The self test feature simulates speed so that the system may be tested without moving. The self test feature will clear itself when vehicular motion is detected by the speed sensor. A speed cal value of 900 [230] or greater is recommended when operating in this mode.

**Note:** To prevent the self-test speed from clearing itself out automatically, disconnect the speed connector on the back of the console when radar or Phoenix 10 speed sensors are used.

1. Press the SELF TEST button.

2. Enter the desired simulated speed value.
3. Verify the vehicle's speed by pressing the SPEED button.

## Volume/Min Rate Fault

The low limit value is the minimum volume per minute allowed before the valve stops closing, an alarm sounds, and the SCS 660 console displays the message "LOW LIMIT." The low limit value should be determined will all booms turned on, since this value is directly proportional to the percentage of booms that are turned on. For example, if the low limit entered is 4 and half of the total boom length is shut off, the console automatically reduces the low limit value to 2. To set the low limit value:

4. Press the VOL/MIN button until the console displays the message "SET LOW LIMIT 0."
5. Press ENTER.
6. Enter the desired low limit flow rate.
7. Press ENTER.

**Note:** *The alarm may be turned off through the DATA MENU.*

## Volume/Area Rate Alarm

The SCS 660 console alarm will sound if the actual application rate is 30% or more away from the target application rate for more than 30 seconds. The alarm may be turned off thru the DATA MENU.

## Low Tank Fault

The SCS 660 console alarm will sound if the volume in the tank drops below the value entered into the console. The alarm will intermittently beep every 15 seconds and the display will flash "LOW LEVEL." To set the low tank alarm value:

1. Press the VOL/TANK button until the console displays the message "SET LOW LEVEL 0."
2. Press ENTER.
3. Enter the desired low tank alarm value.
4. Press ENTER.

**Note:** *The alarm may be turned off by entering a value greater than or equal to the current low tank alarm value or turning off the booms. The alarm can be disabled by entering 0 as the low tank alarm value.*

## Automatic Rate +/-

The Automatic Rate +/- feature sets the increment at which flow is increased or decreased in the RATE 1 or RATE 2 function. Each time the INC/DEC switch is moved to INC, then the rate cal for that rate will increase by the amount entered into the console. Likewise, when the switch is moved to DEC, the rate will decrease by that value. To enter the rate change value:

1. Press RATE CAL 1 or RATE CAL 2 until the console displays the message "RATE +/- 0.0."
2. Press ENTER.
3. Enter the desired incremental value change. For example, if the rate is to change by 1, enter the value as 1.0.
4. Press ENTER.

# Control Valve Delay and Valve Advance

**Note:** PGM 126 requires Rev D or greater to support the Valve Advance feature.

The Control Valve Delay feature allows the user to set a delay between the time the booms are turned on and when the console begins to control the flow rate. The delay is active if the time between turning off the booms and turning them back on is less than 30 seconds.

The Valve Advance feature allows the user to set the amount of time (in seconds) between the time the boom sections are turned off and the valve is opened and in automatic control.

Press the SPEED CAL button until the console displays the message “CONTROL VALVE DELAY” and four digits ( X X X X ). The **first** digit is the Control Valve Delay value. The value (1 - 9) represents the number of seconds of delay in turning on automatic control. A value of 0 means that there is no delay. The **third** digit is the Valve Advance value. The value (1 - 9) represents the number of seconds of delay in which the valve will be opened upon all boom sections being turned OFF in automatic control. A value of 0 means that there is no advance.

**Note:** A beginning value of 1020 is recommended for low rate situations to build up pressure when turning the master switch on. For best results, approach the headlands at consistent speeds while turning all boom sections off.

## Zero Speed Shut-Off

The Zero Speed Shut-Off function is active when C-FC (fast-close valve) or C-PC (PWM close valve) is selected, and cannot be disabled. The valve will receive a decrease signal and run closed when the speed drops to 0.7 mph or less. The only way the console can operate under this speed is in the manual mode.

When the Zero Speed Shut-Off has occurred, the master switch must be turned off and back on to restart the system. If a constant speed greater than 0.7 mph is not reached within 10 seconds, the Zero Speed Shut-Off will occur again.

## Data Lock Feature

The Data Lock feature prohibits data entry without the data-lock code. The four-digit code must be entered within 15 seconds.

### Activate the Data Lock Code

1. Press the DATA MENU button until the message “PRESS ENTER FOR DATA-LOCK” appears on the console’s display.
2. Press ENTER. The message “NEW CODE E” will appear in the display.
3. Enter the 4-digit data lock code of your choice within 15 seconds.
4. Press ENTER.

### Change the Data Lock Code

1. Press the DATA MENU button until the message “PRESS ENTER FOR DATA-LOCK” appears on the console’s display.
2. Press ENTER. The message “OLD CODE E” will appear in the display.
3. Enter the old 4-digit data lock code within 15 seconds.
4. Press ENTER. The message “NEW CODE E” will appear in the display.

5. Enter the new 4-digit code within 15 seconds, or enter 0 to disable the Data-Lock feature.
6. Press ENTER.

### Entering Data in the Data Lock Mode

1. Press the button of the variable to be edited.
2. Press ENTER. A message prompting for the data-lock code will appear.
3. Enter the data-lock code. If the code is correct, E will appear on the display.
4. Enter the data to be changed as usual.

### Clear the Data-Lock Code

The Data-Lock feature may be disabled so that a data-lock code is not required in one of two ways. The code can be changed to 0 as outlined in the “Change the Data Lock Code” on page 38, or the console can be reset, clearing the data-lock code from the system.

**Important:** *All calibration values entered into the SCS 660 console will be lost and must be reprogrammed.*

To reset the console:

1. Turn the POWER ON/OFF switch to the OFF position.
2. Press CE and hold while turning the POWER ON/OFF switch to the ON position.

## Decimal Shift Feature

**Important:** *When entering data for Rate 1 Cal and Rate 2 Cal, remember that 2 GPA [20 lit/ha] is entered as 2.0 [20.0] when the decimal is unshifted, but is entered as 2.00 [20.00] when shifted.*

The Decimal Shift feature is used to increase the system’s accuracy at low application rates. The following table illustrates how shifting the decimal point can increase the system’s accuracy.

	US		Metric		Turf	
	Unshifted	Shift	Unshifted	Shift	Unshifted	Shift
Rate Display	000.0	00.00	0000	000.0	00.00	00.00
Rate Cal	000.0	00.00	0000	000.0	00.00	00.00
Tank Volume	0000	000.0	0000	000.0	000.0	000.0
Total Area	000.0	000.0	000.0	000.0	0000	0000
Total Volume	0000	000.0	0000	000.0	000.0	000.0
Field Area	000.0	000.0	000.0	000.0	0000	0000
Field Volume	0000	000.0	0000	000.0	000.0	000.0
Vol/Minute	0000	000.0	0000	000.0	000.0	000.0
Area/Hour	000.0	000.0	000.0	000.0	0000	0000
Rate +/-	000.0	00.00	0000	000.0	00.00	00.00
Low Tank Level	0000	000.0	0000	000.0	000.0	000.0
Low Vol/Min	0000	000.0	0000	000.0	000.0	000.0



### **Shift the Decimal Place**

1. Press the METER CAL button.
2. Press the SELF TEST button.
3. Enter the flow meter calibration value stamped on the identification tag.
4. Press ENTER.

### **Unshift the Decimal Place**

1. Press the METER CAL button.
2. Enter the flow meter calibration value stamped on the identification tag.
3. Press ENTER.

## CHAPTER

# 6

# *Initial System Setup and Testing*

---

## *Initial System Setup*

After all components of the system have been installed and the console has been programmed, the SCS 660 is ready to be set up. Complete the following steps to set up the SCS 660 system.

1. Completely empty the bin of product.
2. Turn the boom switches OFF.
3. Turn the RATE 1/RATE 2/MAN switch to MAN.
4. Turn the POWER ON/OFF switch to ON.
5. Verify that the BOOM CAL, SPEED CAL, METER CAL, VALVE CAL, and RATE CALs have been entered correctly into the console.
6. Press the SELF TEST button.
7. Enter the machine's normal operating speed.
8. Turn the boom switches ON.
9. Verify that each boom operates by toggling the boom switches between ON and OFF.
10. Hold the INC/DEC switch in the INC position for approximately 12 seconds, noting the maximum rate value in the display.
11. Hold the INC/DEC switch in the DEC position for approximately 12 seconds, noting the minimum rate value in the display.
12. Verify that the target application rate is between the maximum and minimum values displayed.

---

## *Initial System Field Test*

1. Fill the bin with the product to be applied.
2. Drive down the field at the target speed with the boom switches OFF to verify the SPEED readout in the console.
3. Turn on the appropriate boom switches.
4. Switch the RATE 1/RATE 2/MAN switch to RATE 1.
5. Increase or decrease the vehicle's speed by one MPH [2 km/h].

**Note:** *The system should automatically adjust to the target application rate. If the system does not perform the adjustment, repeat the steps in Initial System Setup. If the system is still not*

*performing correctly, refer to Chapter 7, Preventative Maintenance and Troubleshooting for possible causes and corrective action.*

6. At the end of each row, switch the boom switches to OFF to shut off the application. This also turns off the area totalizer.
7. Verify the area covered and volume used.



## CHAPTER

# 7

# Preventative Maintenance and Troubleshooting

## General Preventative Maintenance

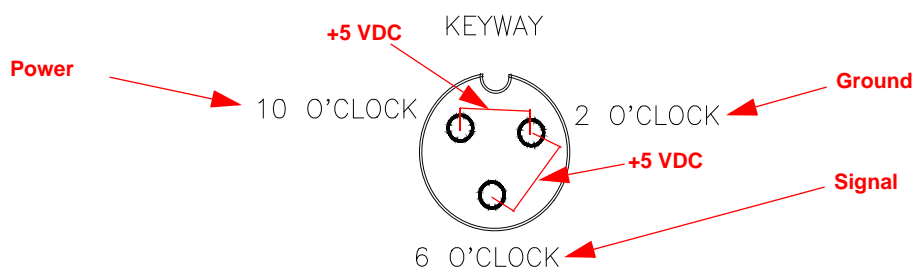
Preventative maintenance is extremely important to ensure the long life of your machine and the SCS 660 system. The following preventative maintenance measures should be taken on a regular basis:

1. Remove the console from the cab when not in use for extended periods of time.
2. Disconnect the SCS 660 Serial Interface console before jump-starting the vehicle.
3. Disconnect the SCS 660 Serial Interface console before welding any component of the machine.

## Testing Flow Meter/Encoder Cables

1. Disconnect the cable from the flow sensor.

FIGURE 1. Flow Sensor Connector Cable Connection



**Note:** If a +5 VDC voltage reading is not present, disconnect the speed sensor cable. If the flow reading is restored, refer to the Testing Speed Sensor Extension Cables section on page 44 to test the speed sensor extension cables.

1. Enter a METER CAL value of 1 and SPREADER CONSTANT value of 0 into the console.
2. Press the TOTAL VOLUME button.
3. Place the RATE 1/RATE 2/MAN switch in the MAN position.
4. Turn the boom switches ON.
5. Create a short between the ground and signal sockets by inserting a small jumper wire or paper clip into both sockets simultaneously. Each time contact is made, the TOTAL VOLUME reading should increase in increments of 1 or more. If the TOTAL VOLUME does not increase:
  - a. Remove the section of cable closest to the console.

- b. Repeat the ground-signal short test.
  - If the TOTAL VOLUME increases, replace the defective cable and repeat the ground-signal short test.
  - If the TOTAL VOLUME does not increase, replace the flow sensor.
6. Perform voltage checks as illustrated in the figure above.

**Important:** Re-enter the original METER CAL and SPREADER CONSTANT figures after testing is complete.

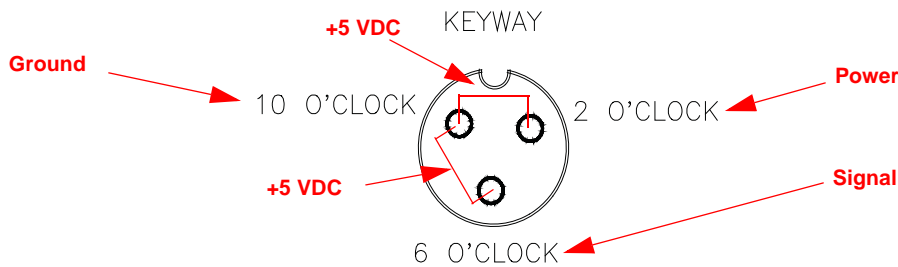
## Speed Sensor Cables

### Testing Speed Sensor Extension Cables

**Note:** Verify that the console is in the SP1 Speed Sensor mode while testing the cable.

1. Disconnect the extension cable from the speed sensor assembly cable.

FIGURE 2. Speed Sensor Connector Cable Connection



**Note:** If a +5 VDC voltage reading is not present, disconnect the flow sensor cable. If the speed reading is restored, refer to the Testing Flow Meter/Encoder Cables section on page 43 to test the flow meter cables.

If the speed system is a radar-type system, the voltage between the 10 o'clock and 2 o'clock positions may read +12 VDC.

1. Enter a SPEED CAL value of 9999 into the console.
2. Press the DISTANCE button.
3. Create a short between the ground and signal sockets by inserting a small jumper wire or paper clip into both sockets simultaneously. Each time contact is made, the DISTANCE reading should increase in increments of 1 or more. If the DISTANCE does not increase:
  - a. Remove the section of cable closest to the console.
  - b. Repeat the ground-signal short test.
    - If the DISTANCE increases, replace the defective cable and repeat the ground-signal short test.
    - If the DISTANCE does not increase, replace the speed sensor.
4. Perform voltage checks as illustrated in the figure above.

**Important:** Re-enter the original SPEED CAL figure after testing is complete.

## Troubleshooting

### Console Issues

Issue	Corrective Action
The console is on, but there are no lights lit up on the console.	<ol style="list-style-type: none"> <li>1. Check the fuse on the back of the console.</li> <li>2. Check the battery connections.</li> <li>3. Check the operation of the Power ON/OFF switch.</li> <li>4. Return the console to the dealer to have the processor board assembly replaced.</li> </ol>
All of the lights on the console are lit up at the same time.	Return the console to the dealer - this issue is not repairable in the field.
A digit cannot be entered via the buttons on the console.	Return the console to the dealer - this issue is not repairable in the field.
The indicator light on a key will not illuminate.	Return the console to the dealer - this issue is not repairable in the field.
The console display message flashes "CAL" whenever the vehicle's engine is started.	Check the battery voltage and connections.
The console display message flashes "CAL" whenever the Master switch is turned on or off.	Check the battery voltage and connections.
The console display message flashes "CAL" whenever the speed is changed.	Check battery voltage and connections.
The TIME function is inaccurate or drifting.	Return the console to the dealer - this issue is not repairable in the field.
Digits in the display are missing segments.	Return the console to the dealer - this issue is not repairable in the field.
The SPEED displays as "0".	<ol style="list-style-type: none"> <li>1. Check the speed sensor cable connector and the plug on the back of the console for loose pins.</li> <li>2. Clean the pins and sockets on the speed sensor cable connections.</li> <li>3. If a speed sensor extension cable is used, refer to the <i>Testing Speed Sensor Extension Cables</i> section on page 44.</li> <li>4. If no extension cable is used, replace the speed sensor switch assembly.</li> </ol>

Issue	Corrective Action
<p>The SPEED is inaccurate or unstable. (Wheel drive speed sensor)</p>	<ol style="list-style-type: none"> <li>1. Check the speed sensor.                             <ol style="list-style-type: none"> <li>c. Run a speed check on a hard surface road.</li> <li>d. If the speed is accurate, move the speed sensor to a different wheel and perform a recheck.</li> </ol> </li> <li>2. Check the magnets.                             <ol style="list-style-type: none"> <li>a. Remove one red magnet and one black magnet on the wheel.</li> <li>b. Reposition the remaining red and black magnets directly across from each other.</li> <li>c. Enter a SPEED CAL number in the console twice as large as the correct SPEED CAL number.</li> <li>d. Run a speed check on a hard surface road.</li> <li>e. Remove the two magnets and replace them with the other magnets previously removed.</li> <li>f. Run a speed check on a hard surface road.                                     <ul style="list-style-type: none"> <li>• If the speed is accurate with only one set of magnets, replace the bad set of magnets.</li> <li>• If the speed is inaccurate with both sets of magnets, replace the speed sensor assembly.</li> </ul> </li> </ol> </li> </ol> <p><b>Important:</b> Re-enter the original SPEED CAL figure after testing is complete.</p>

## Rate Control Issues

Issue	Corrective Action
<p>The RATE displays as "0000".</p>	<ol style="list-style-type: none"> <li>1. Verify that the SPEED is registering correctly. If the speed is zero, refer to the "The SPEED is inaccurate or unstable" issue in the Console Issues section for the appropriate troubleshooting steps.</li> <li>2. Verify that the TOTAL VOLUME is registering flow. If not, refer to the "Total volume does not register" issue in this section.</li> </ol>
<p>The RATE is inaccurate or unstable.</p>	<ol style="list-style-type: none"> <li>1. Verify that all values are entered into the console correctly.</li> <li>2. Verify that the SPEED is registering accurately. If it is inaccurate, refer to the "SPEED is inaccurate or unstable" issue in the Console Issues section for the appropriate troubleshooting steps.</li> <li>3. In MAN (manual) operation, verify that the RATE display (GPA) holds constant. If not, refer to the "Total volume registers flow inaccurately" issue in this section.</li> <li>4. In MAN operation, check the low end and high end pressure range. If pressure cannot be adjusted manually, refer to the "Total volume registers flow inaccurately" issue in this section.</li> <li>5. If the problem persists, return the console to the dealer to have the processor board assembly replaced.</li> </ol>

Issue	Corrective Action
Cannot vary the RATE in automatic or manual operation.	<ol style="list-style-type: none"><li>1. Check the cabling to the motorized control valve for breaks in the line.</li><li>2. Verify the cable connections are clean.</li><li>3. Verify that there is voltage to the valve connector.<ol style="list-style-type: none"><li>a. Turn the Master switch ON.</li><li>b. Switch the RATE 1/RATE 2/MAN switch to MAN.</li><li>c. Turn the POWER switch ON.</li><li>d. Manually operate the INC/DEC switch to verify voltage.</li></ol></li><li>4. Verify that the valve is turning. If not, replace the motorized control valve.</li></ol>
TOTAL VOLUME does not register.	<ol style="list-style-type: none"><li>1. Check the metering shaft encoder cable for breaks and shorts. Refer to the <i>Testing Flow Meter/Encoder Cables</i> section on page 43.</li><li>2. Replace the metering shaft encoder.</li></ol>



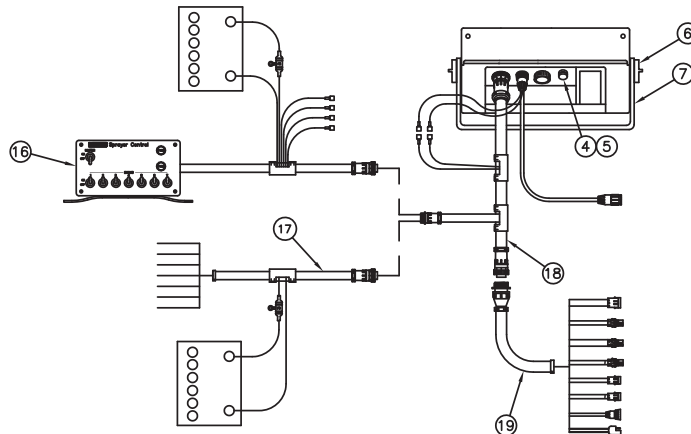
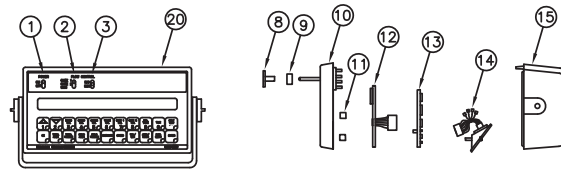
CHAPTER

8

*Replacement Parts*

SCS 660 SERIAL INTERFACE  
REPLACEMENT PARTS

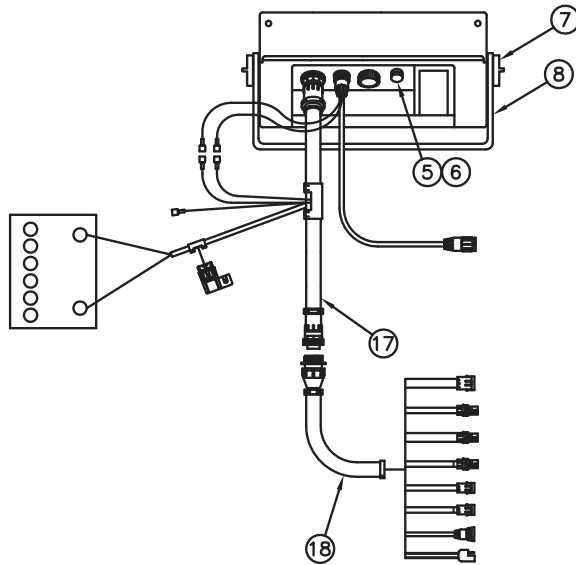
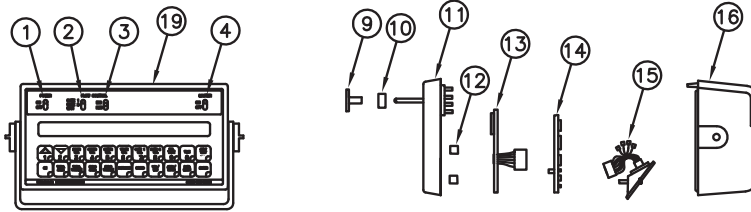
ITEM	DESCRIPTION	RAVEN PART #
1	Power Switch	412-2011-048
2	Rate1/Rate2/Manual Switch	412-2011-073
3	Manual Adjust Switch	412-2011-087
4	Fuse Holder	510-2001-018
5	Fuse, 15 Amp.	510-1003-003
6	Mounting Knob	106-0159-438
7	Mounting Bracket	106-0159-437
8	Switch Cover	106-0159-944
9	1-Set Filler Spacers	117-0159-421
10	Face Plate Assembly	063-0172-001
11	Display Board Spacer	107-0159-478
12	Display Assembly	063-0171-961
13	Processor Board	064-0159-564
14	Connector Plate Assembly	063-0172-003
15	Back Assembly	063-0159-530
16	Switch Box Assembly	063-0171-335
17	Boom/Power Cable (6 ft.)	115-0159-839
18	Console Control Cable (3 ft.)	115-0159-786
19	Flow Control Cable (21 ft.)	115-0159-787
20	SCS 660 Console (Serial Interface)	063-0171-221





## SCS 660M SERIAL INTERFACE REPLACEMENT PARTS

ITEM	DESCRIPTION	RAVEN PART #
1	Power Switch	412-2011-048
2	Rate1/Rate2/Manual Switch	412-2011-073
3	Manual Adjust Switch	412-2011-087
4	Master Switch	412-2011-046
5	Fuse Holder	510-2001-018
6	Fuse, 15 Amp.	510-1003-003
7	Mounting Knob	106-0159-438
8	Mounting Bracket	106-0159-437
9	Switch Cover	106-0159-944
10	1-Set Filler Spacers	117-0159-421
11	Face Plate Assembly	063-0172-544
12	Display Board Spacer	107-0159-478
13	Display Assembly	063-0171-961
14	Processor Board	064-0159-564
15	Connector Plate Assembly	063-0172-506
16	Back Assembly	063-0159-530
17	Console Control Cable (3 ft.)	115-0159-707
18	Flow Control Cable (21 ft.)	115-0159-787
19	SCS 660M Console (Serial Interface)	063-0172-542





## C

**Console Programming and Calibration**

- Console Features 26
  - Button Definitions 28
- Console Identification 25
- Console Programming 29
  - Changing Initial Console Programming 32
  - Data Entry 29
  - Initial Console Programming 29
  - Programming Additional System Data 33
  - Programming for New Leader Mark IV
    - Interface 32
- System Features 34
  - Automatic Rate +/- 37
  - Control Valve Delay and Valve Advance 38
  - Data Logger 35
  - Data Menu 34
  - Data-Lock Feature 38
    - Activating the Data-Lock Code 38
  - Decimal Shift Feature 39
  - Low Tank Fault 37
  - Self Test Feature 36
  - Volume/Area Rate Alarm 37
  - Volume/Min Rate Fault 37
  - Zero Speed Shut-Off 38

- Wheel Drive Speed Sensors 5
- Spreader Constant Value 6
- Valve Cal 9
- Unit Definitions and Conversions 4
  - Unit of Measure Conversions 4
  - Unit of Measure Definitions 4

## P

**Preventative Maintenance and Troubleshooting**

- Flow Meter Maintenance
  - Testing Flow Meter/Encoder Cables 43
- General Preventative Maintenance 43
- Speed Sensor Cables 44
- Troubleshooting 45
  - Console Issues 45
  - Rate Control Issues 46

## E

**Electrical**

- Safety 2

## H

**Hydraulic**

- Safety 2

## I

**Important Safety Information**

- Electrical 2
- Hydraulics 2

**Initial System Setup and Testing**

- Initial Setup 41
- Initial System Field Test 41

**Installation**

- Console and Cabling 21
- Control Valve 20
  - Alternate Bypass Line Plumbing 20
  - Installing the Control Valve 20
- Encoder 19
  - Mounting the Encoder 19
- Sensors 13
  - Phoenix 10 GPS Speed Sensor 16
  - Raven Radar Speed Sensor 13
  - Wheel Drive Speed Sensors 14

**Introduction**

- Calculating Machine Calibration Values 5
  - Boom Cal Value 5
  - Meter Cal 9
  - Rate 1 and Rate 2 10
  - Speed Cal Value 5
    - Raven Radar 5



**RAVEN**

# **RAVEN INDUSTRIES**

## **Limited Warranty**

---

### ***What Does this Warranty Cover?***

This warranty covers all defects in workmanship or materials in your Raven Applied Technology Product under normal use, maintenance, and service.

### ***How Long is the Coverage Period?***

Raven Applied Technology Products are covered by this warranty for 12 months after the date of purchase. This warranty coverage applies only to the original owner and is nontransferable.

### ***How Can I Get Service?***

Bring the defective part and proof of purchase to your Raven Dealer. If your Dealer agrees with the warranty claim, the Dealer will send the part and proof of purchase to their distributor or to Raven Industries for final approval.

### ***What Will Raven Industries Do?***

Upon confirmation of the warranty claim, Raven Industries will, at our discretion, repair or replace the defective part and pay for return freight.

### ***What is not Covered by this Warranty?***

Raven Industries will not assume any expense or liability for repairs made outside our facilities without written consent. Raven Industries is not responsible for damage to any associated equipment or products and will not be liable for loss of profit or other special damages. The obligation of this warranty is in lieu of all other warranties, expressed or implied, and no person or organization is authorized to assume any liability for Raven Industries.

Damages caused by normal wear and tear, misuse, abuse, neglect, accident, or improper installation and maintenance are not covered by this warranty.

**R A V E N**

SCS 660 & 660M Serial Interface  
for Granular Applications  
Installation & Service Manual  
(P/N 016-0159-845 Rev E 10/09)

*Simply improving your position.<sup>SM</sup>*



Raven Industries  
Applied Technology Division  
P.O. Box 5107  
Sioux Falls, SD 57117-5107

Toll Free (U.S. and Canada): (800)-243-5435  
or Outside the U.S. :1 605-575-0722  
Fax: 605-331-0426  
[www.ravenprecision.com](http://www.ravenprecision.com)  
[atdinfo@ravenind.com](mailto:atdinfo@ravenind.com)

Notice: This document and the information provided are the property of Raven Industries, Inc. and may only be used as authorized by Raven Industries, Inc. All rights reserved under copyright laws.