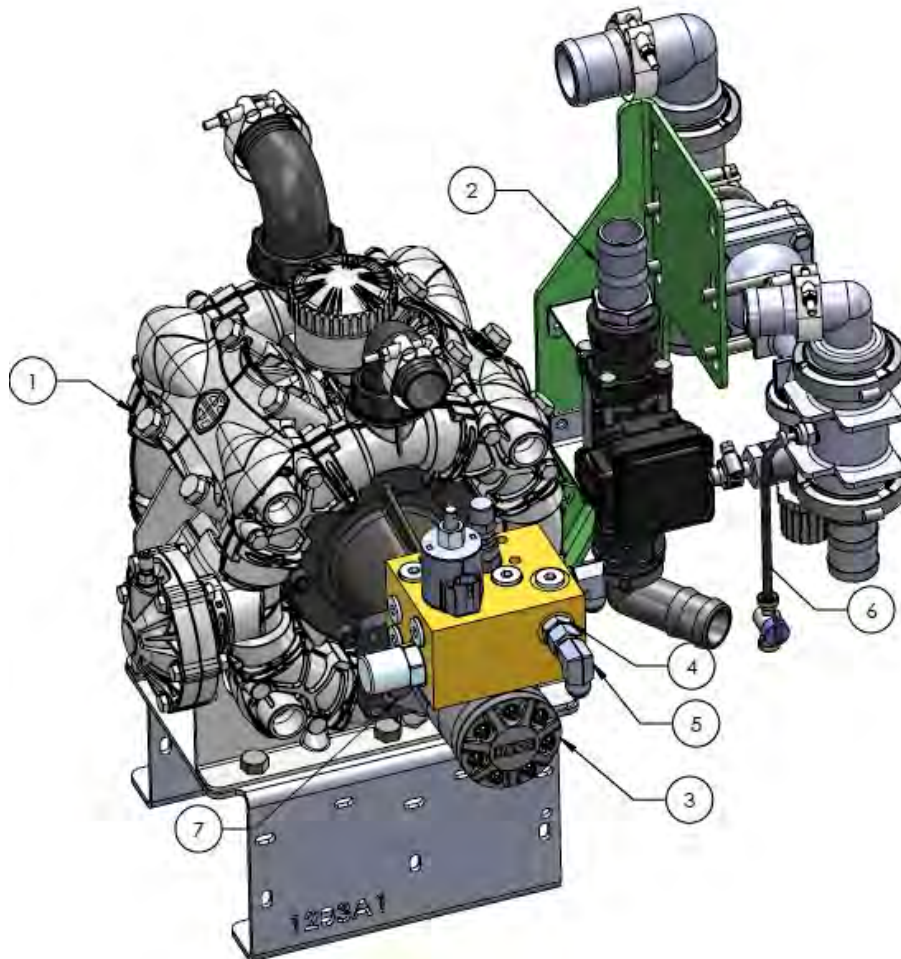


PR40 Assembly and Part Breakdowns

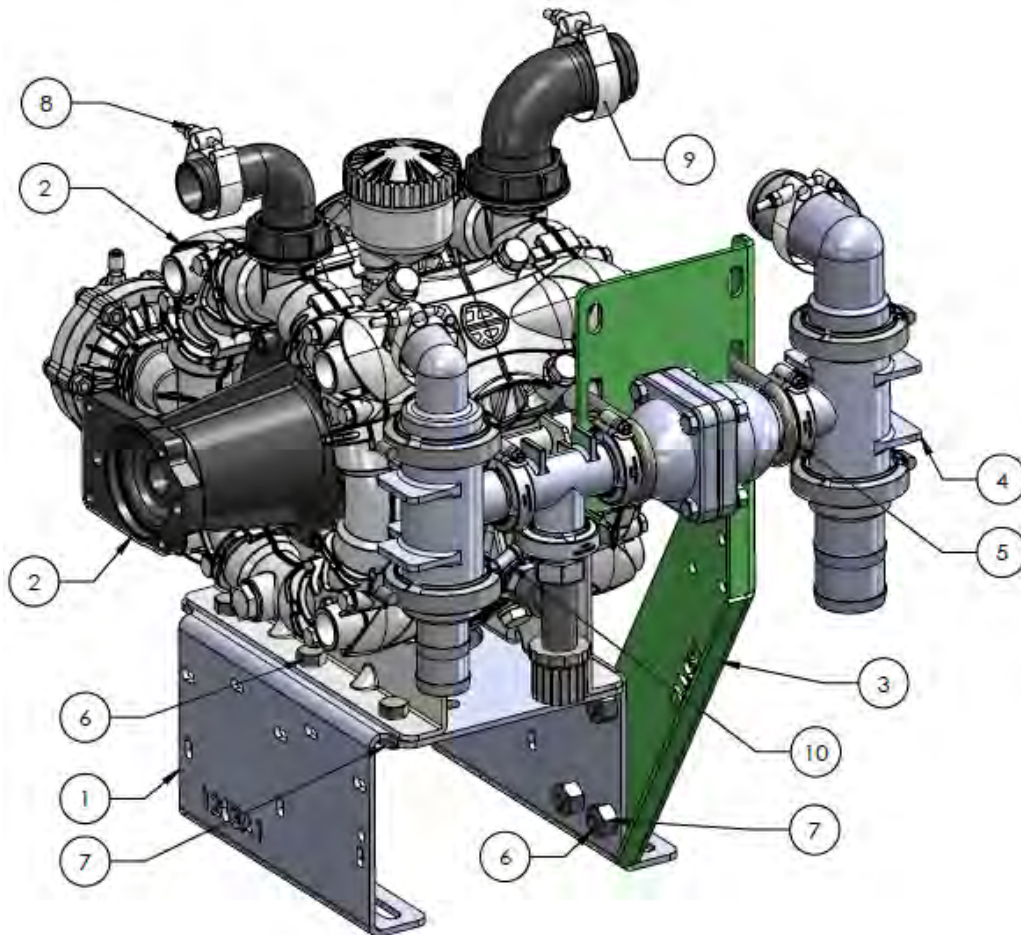
Complete PR40 Pump Assembly w/ Hydraulic Motor and PWM Valve
Kit: 500-01-6700



ITEM NO.	PART NUMBER	DESCRIPTION	QTY.	
1	500-40-200040	PR40 Pre-Build Assembly (Minus Flowmeter and Hydraulics)	1	See Page 31
2	500-02-2080	Arag Ion Flowmeter Kit (2.6 - 53 GPM) with adapter cable - 1 1/2" HB	1	See Page 33
3	164-FTA1609	4.0 CID Hydraulic Motor with PWM Valve and Bypass Valve, SPEED Sens	1	See Page 42
	164-FTA0994	4.0 CID Hydraulic Motor with PWM Valve and Bypass Valve, CW Rotation		
4	161-01-8MB-8MJ	Adapter - #8 male O-Ring Boss to #8 male JIC	1	
5	161-02-8MJ-8FJX-90	Elbow - #8 female JIC to #8 male JIC - 90	2	
6	521-00-100250	Pump Priming and Air Bleed Assembly	1	
7	300-080200-5	1/2" x 2" G5	2	
8	321-08-SS	1/2" Nylock Nut-SS	2	

PR40 Assembly and Part Breakdowns

**PR40 Pump Pre-Build Assembly
(Minus Flowmeter and Hydraulics)
Kit: 500-40-200040**



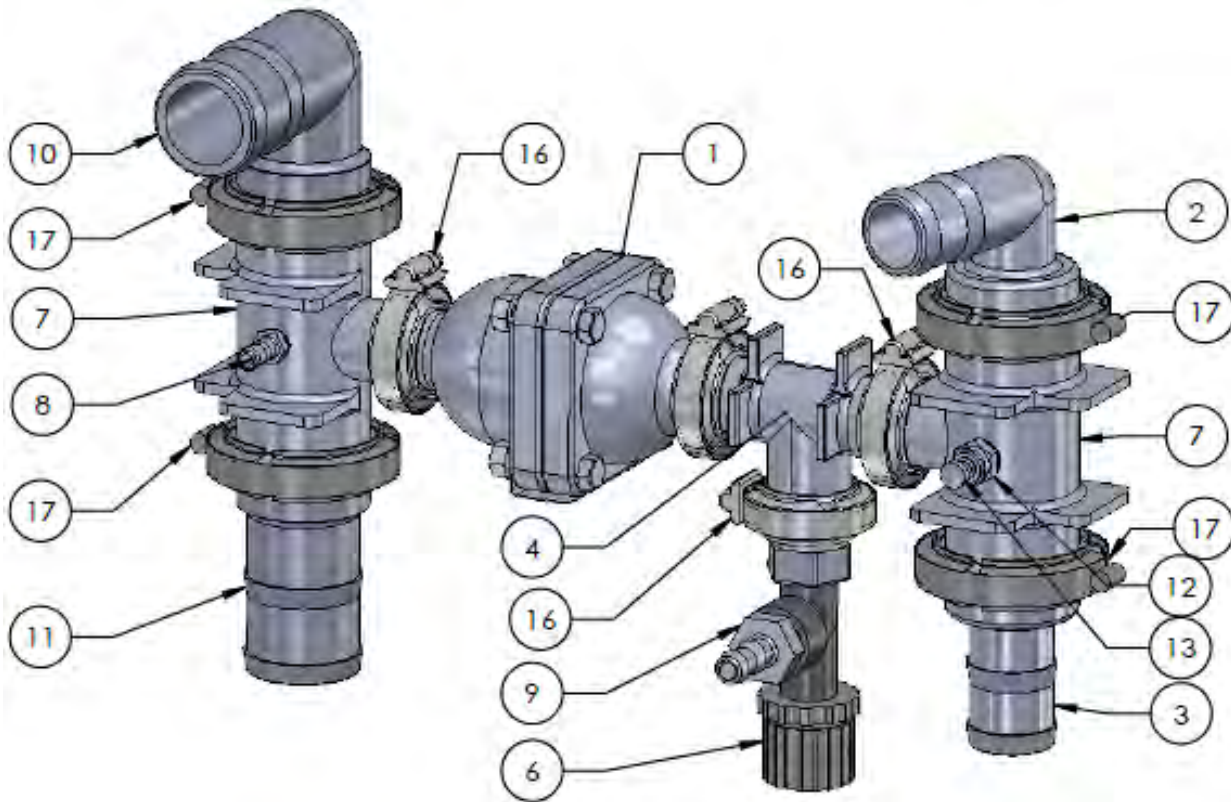
ITEM NO.	PART NUMBER	DESCRIPTION	QTY.
1	400-1203A1	D160 - D250 Diaphragm Pump Bracket	1
2	290-02-PR40	PR40 Poly BlueFlex Diaphragm Pump - 40GPM - 290 PSI	1
3	400-1204A1	D160 - D250 MPRV Support	1
4	520-00-3015	Plumbing Assembly - D160 & D250 Hydraulic Diaphragm Pump	1
5	302-UB101	M100 U-Bolt Assembly - 1 SS Ubolt, 2 SS lock washers, 2 SS nuts	2
6	300-080100-5	1/2" x 1" HCS G5	9
7	323-08	1/2" Flange Nut	9
8	350-TC181	T-Bolt Hose Clamp - 1.81 - 2.06" Diameter (fits 1 1/2" Enforcer or AG200)	2
9	350-TC231	T-Bolt Hose Clamp - 2.31 - 2.62" Diameter (fits 2" Enforcer)	2
10	350-0605	SS Hose Clamp - Size 6 - 7/8" Diameter	2
11	291-02-9910-HYD1570	Hydraulic Flange Kit - D160, D250, PR40 & AR330	1

See Page 34

See Page 32

PR40 Assembly and Part Breakdowns

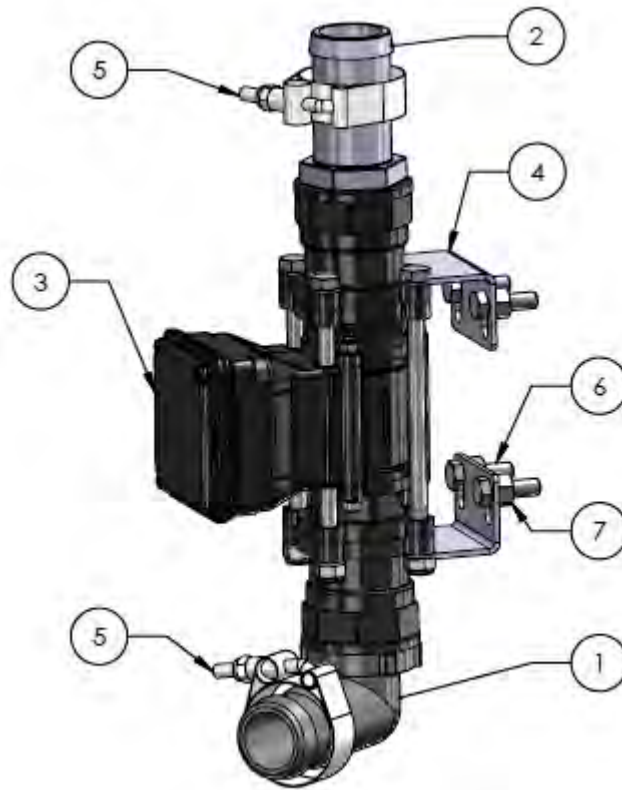
PR40 & D250 Pump Plumbing Assembly
Kit: 520-00-3015



ITEM NO.	PART NUMBER	DESCRIPTION	QTY.
1	102-MPRV100-100	Pressure Relief Valve - 100 PSI	1
2	105-200150BRB90	2" Manifold Flng 1-1/2 Barb 90	1
3	105-200150BRB	2" Manifold X 1-1/2" Barb	1
4	105-100TEE	1" Manifold Tee	1
5	105-100075FPT	1" Manifold x 3/4" FPT	1
6	102-23520-3-4	3/4" Throttling Valve with out spring - 150 PSI	1
7	105-200100TEE038	2"Std Port x 1" Flanged Tee	2
8	101-038050	3/8" MPT x 1/2" HB	1
9	101-075050	3/4" MPT x 1/2" HB	1
10	105-200BRB90	2" Manifold x 2" HB - 90 Degree	1
11	105-200BRB	2" Manifold x 2" HB	1
12	113-06-025038	QC to MPT - 1/4" QC x 3/8" MPT	1
13	113-05-025	Plug - 1/4" QC	1
14	105-100G	1" EPDM Manifold Gasket	4
15	105-150G	1 1/2" EPDM Gasket	4
16	105-FC100	1" Manifold Clamp	4
17	105-FC200	2" Manifold Clamp	4

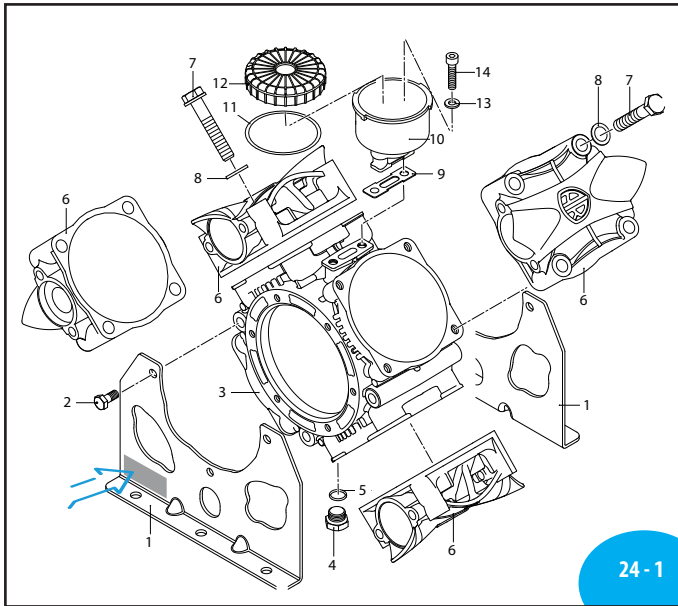
PR40 Assembly and Part Breakdowns

PR40/D250 EMag Flowmeter Kit (2.6-53 GPM)
Kit: 500-02-2080

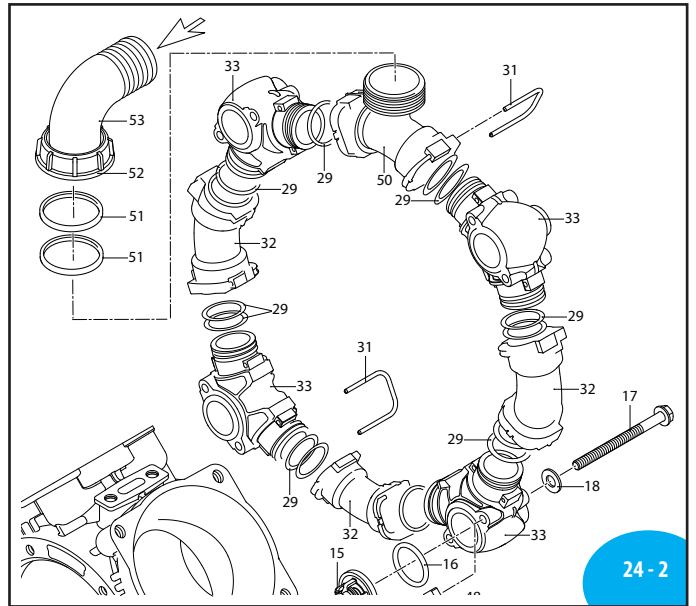


ITEM NO.	PART NUMBER	DESCRIPTION	QTY.
1	101-125150-90	1-1/4"MPT X 1-1/2"Hse Shnk-90D	1
2	101-125150	1-1/4" MPT x 1-1/2" HB	1
3	204-01-46211CUF04	Electro Magnetic Flow meter 2.6 - 53 GPM Non-visual	1
4	400-3335Y1	SS Flowmeter Mounting Bracket	2
5	350-TC181	T-Bolt Hose Clamp - 1.81 - 2.06" Diameter	2
6	300-050100-SS	5/16" x 1" HCS SS	4
7	323-05-SS	5/16" Flange Nut SS	4
-	280-150-AG200	1 1/2" AG200 Hose - 2 feet	
-	201-17842	Adapter Cable - AMP Superseal to MT Controller	

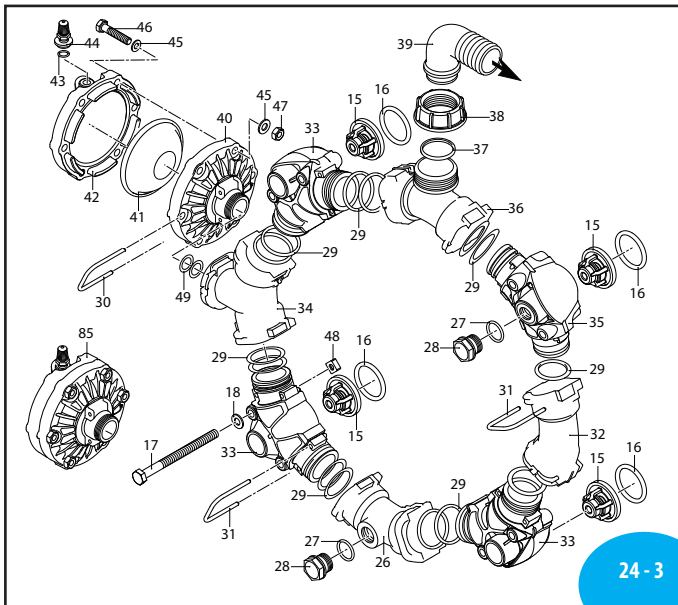
PR40 Breakdown



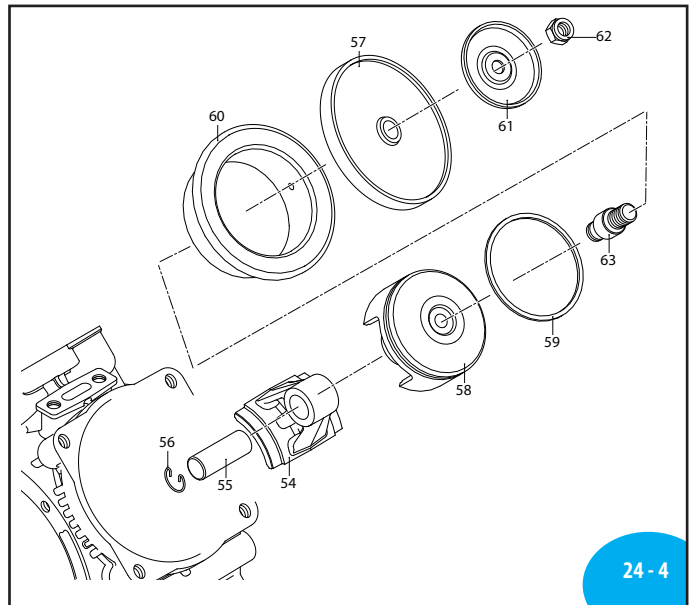
24 - 1



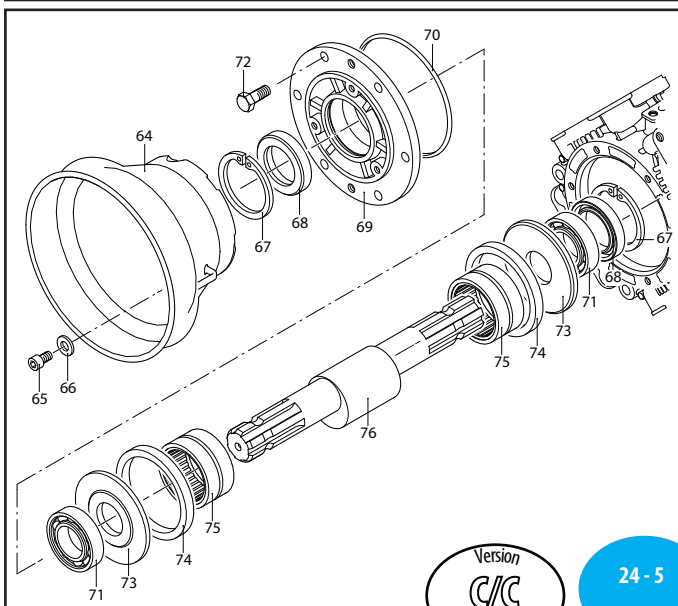
24 - 2



24 - 3



24 - 4



Version
C/C

24 - 5

PR40 Diaphragm Service Kit
291-13-100150
4 Kits Needed for
Complete Pump Service

PR40 O-Ring Kit
291-13-100720

PR40 Diaphragm Pump Parts

#	Item Number	Item Description	QTY	#	Item Number	Item Description	QTY
1	291-13-761031	PR40 Black Metal Mounting Foot	2	38	291-02-9910-750670	Ring-nut for 1 1/2" Outlet - PR17, PR30, PR40, D160 & D250 Pump	1
2	291-13-160673	PR30 & PR40 Metric Bolt for Mounting Foot to Housing M10 x 25 T354*	6	39	291-13-50267	1-1/2" HB Elbow - PR17 & PR30 Inlet, PR40 & D250 Outlet	1
3	291-13-761010	PR40 Pump Housing	1	40	291-13-3460180	PR40 Accumulator Manifold	1
4	291-02-2406-0023	PR17, PR30, PR40, D70, D115, & D160 Pump Oil Drain Plug T177*	1	41	291-13-800192	PR40 Accumulator Diaphragm	1
5	291-02-9910-740290	PR17, PR30, PR40, D70, D115, & D160 Pump Oil Drain Plug O-Ring	1	42	291-13-3460190	PR40 Accumulator Head	1
6	291-13-3460020	PR30 & PR40 Pump Head	4	43	291-02-9910-650542	PR40, D70, D115, D160, & AR&HD250 Accumulator Head Valve Stem Gasket	1
7	291-13-750072	PR30 & PR40 Metric Bolt For Pump Head M12 x 70 T309*	16	44	291-02-9910-180020	PR40, D160, & AR&HD250 Accumulator Head Valve Stem T22*	1
8	291-13-390092	PR30 & PR40 SS Washer For M12 x 70 Bolt	16	45	291-13-390315	PR17, PR30, & PR40 SS Washer for M8 x 12, M8 x 40, M8 x 55, & M8 x 100	12
9	291-02-9910-750040	Oil Sight Glass Gasket for PR40, D160 & D250	1	46	291-13-621782	PR40 Metric Bolt for Accumulator M8 x 40 T177*	6
10	291-13-751170	PR40 & ARD250 Sight Glass	1	47	291-13-3120260	PR40 Accumulator Hex Nut M8 T177*	6
11	291-13-1980340	PR40 & ARD250 Sight Glass Cap O-Ring	1	48	291-13-3120510	Square Nut for M8 Bolts	16
12	291-13-751183	PR40 & ARD250 Sight Glass Cap	1	49	291-13-880311	PR30 Outlet 1" Ring Nut O-Ring & PR40 Accumulator O-Ring	2
13	291-13-380243	PR40 & D250 SS Washer for M8 x 35 Bolt & D160 & D250 Bolt Off of the Pump Head	2	50	291-13-761210	PR40 Inlet Manifold - Threaded	1
14	291-13-680350	PR40, D160, & D250 Metric Bolt For Sight Glass M8 x 35 T88*	2	51	291-13-3040471	PR40 Inlet 2" Ring Nut O-Ring - Viton	2
15	291-13-2429051	Valve For PR17, PR30, and PR40	8	52	291-13-3040450	PR40 Inlet 2" Ring Nut	1
16	291-13-3460380	Valve Gasket For PR17, PR30, and PR40 - Viton	8	53	291-13-3040440	PR40 2" Inlet Elbow	1
17	291-13-3460201	PR30 & PR40 Metric Bolt For Male Manifolds M8 x 100 T88*	16	54	291-02-9910-760140	PR40 & D160 Piston Connecting Rod	4
18	291-13-390315	PR17, PR30, & PR40 SS Washer for M8 x 12, M8 x 40, M8 x 55, & M8 x 100	16	55	291-13-160700	PR40 Piston Pin	4
26	291-13-761240	PR40 Outlet Female Manifold With Plug Port	1	56	291-02-9910-160691	PR40, D160, & AR&HD250 Piston Pin Snap Ring	8
27(a)	291-13-1150641	O-Ring - PR30 & PR40 Manifold Plug (new style)	2	57	291-13-550081	BlueFlex Diaphragm for D70/ 115/ 160/ AR&H250/ PR30/ PR40 Pump	4
27(b)	291-13-1140451	PR17 Outlet 1" Ring Nut O-Ring and PR30 & PR40 Manifold Plug O-Ring (old style)	2	58	291-02-9910-750122	PR40, D160, & AR&HD250 Piston	4
28	291-13-346090	PR30 & PR40 Manifold Plug (new style plug) T88*	2	59	291-02-9910-500260	PR30, PR40, D115, D160, & AR&HD250 Piston Ring	4
29	291-13-230061	PR40 Manifold O-Ring - Inlet and Outlet - Viton	32	60	291-13-750115	PR40 Diaphragm Sleeve	4
30	291-13-3460210	PR17 & PR30 Manifold Connecting Fork & PR40 Accumulator Connecting Fork	1	61	291-13-751251	PR40 Diaphragm Plate	4
31	291-13-761250	PR40 Manifold Connecting Fork	16	62	291-13-2240670	PR17, PR30, & PR40 Hub Pin Nut T221*	4
32	291-13-761200	PR40 Inlet & Outlet Female Manifold	4	63	291-13-2240101	PR30 & PR40 Hub Pin T265*	4
33	291-13-761190	PR40 Inlet & Outlet Male Manifold	7	64	291-13-1500470	PR40 & ARD250 Shaft Protector	1
34	291-13-761230	PR40 Outlet Female Manifold - Connects to Accumulator	1	65	305-10020	Socket Head Bolt - 10 mm x 20 mm	3
35	291-13-761191	PR40 Outlet Male Manifold With Plug Port	1	66	330-06-SS	3/8" Flat Washer - SS	3
36	291-13-761220	PR40 Outlet Manifold - Threaded	1	67	291-02-9910-200390	PR40, D160, & AR&HD250 Snap Ring	2
37	291-13-1880460	O-Ring - 29 x 3 Viton - PR17, PR30, PR40, D250 Outlet	1	68	291-02-9910-160740	PR40, D160, & AR&HD250 Seal Ring	2
				69	291-13-680020	PR40 & ARD250 Inspection Plate	1
				70	291-02-9910-851360	PR40, D160, & AR&HD250 Seal/Bearing Housing O-Ring	1
				71	291-02-9910-230350	PR40, D160, & HD250 Roller Bearing	1
				72	291-13-160673	PR30 & PR40 Metric Bolt for Mounting Foot to Housing M10 x 25 T309*	6
				73	291-02-9910-540040	PR40, D160, & AR&HD250 Shaft Spacer Plate	2
				74	291-02-9910-750130	PR40, D160, & AR&HD250 Shaft Ring	2
				75	291-02-9910-750090	PR40, D160, & AR&HD250 Needle Bearing	2
				76	291-13-750174	PR40 Pump Shaft	1

Specially-Formulated PumpRight Oil 291-02-2160-		
-0038	1 Quart	PR40 uses 56 oz. of oil
-0047	1 Gallon	

* Torque: in-lbs +/- 10%

