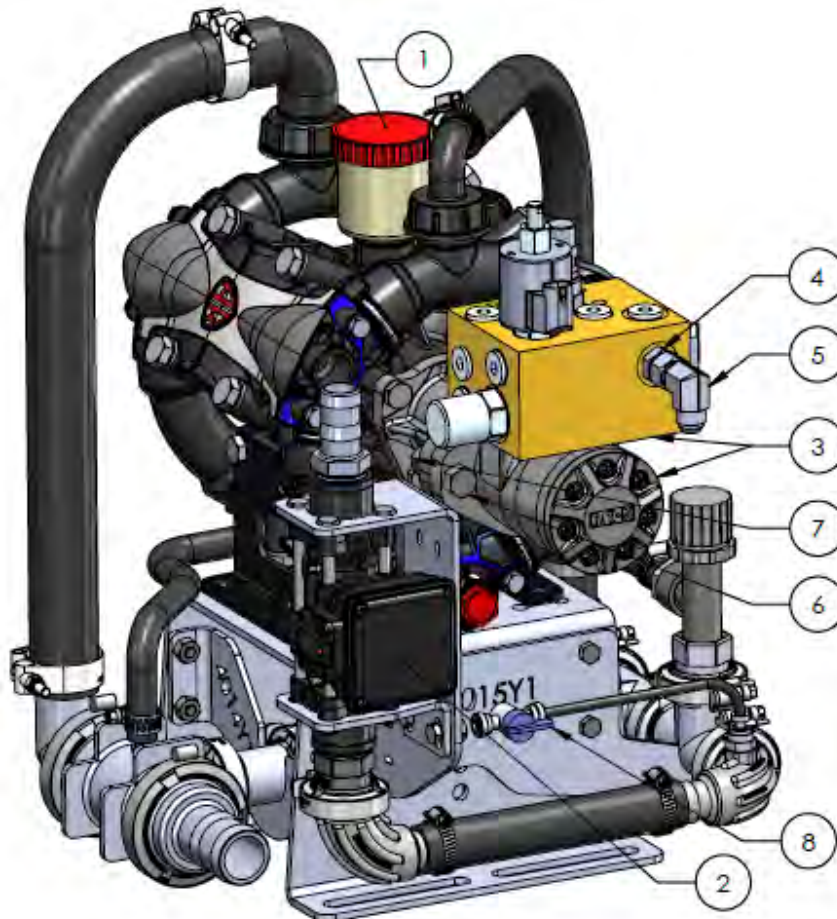


PR30 Assembly and Part Breakdowns

Complete PR30 Pump Assembly w/ Hydraulic Motor and PWM Valve
Kit: 500-01-5700

C

Maintenance
& Parts



ITEM NO.	PART NUMBER	DESCRIPTION	QTY.
1	500-40-200030	PR30 Poly Pre-Build Assembly (Minus Flowmeter and Hydraulics)	1
2	500-02-2090	EMag PR30 Flowmeter Kit (.6 - 13 GPM) - 1" HB	1
	500-02-2095	EMag PR30 Flowmeter Kit (1.3 - 26 GPM) - 1" HB	
3	164-FTA1609	4.0 CID Hydraulic Motor with PWM Valve, Speed Sensor, and Bypass Valve, CW Rotation	1
	164-FTA0994	4.0 CID Hydraulic Motor with PWM Valve and Bypass Valve, CW Rotation	
4	161-01-8MB-8MJ	Adapter - #8 male O-Ring Boss to #8 male JIC	1
5	161-02-8MJ-8FJX-90	Elbow - #8 female JIC to #8 male JIC - 90	2
6	300-080200-5	1/2" x 2" G5	2
7	321-08	1/2" Nylock Nut	2
8	521-00-100250	Pump Priming and Air Bleed Assembly	1

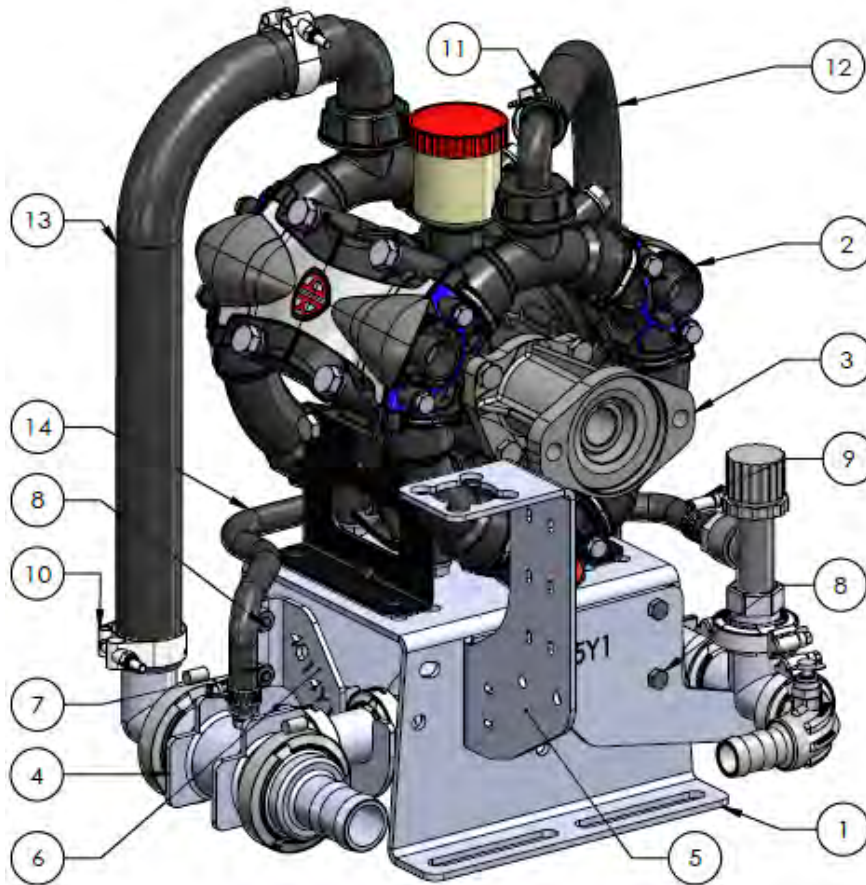
See Page 25

See Page 27

See Page 42

PR30 Assembly and Part Breakdowns

**PR30 Pump Pre-Build Assembly
(Minus Flowmeter and Hydraulics)
Kit: 500-40-200030**



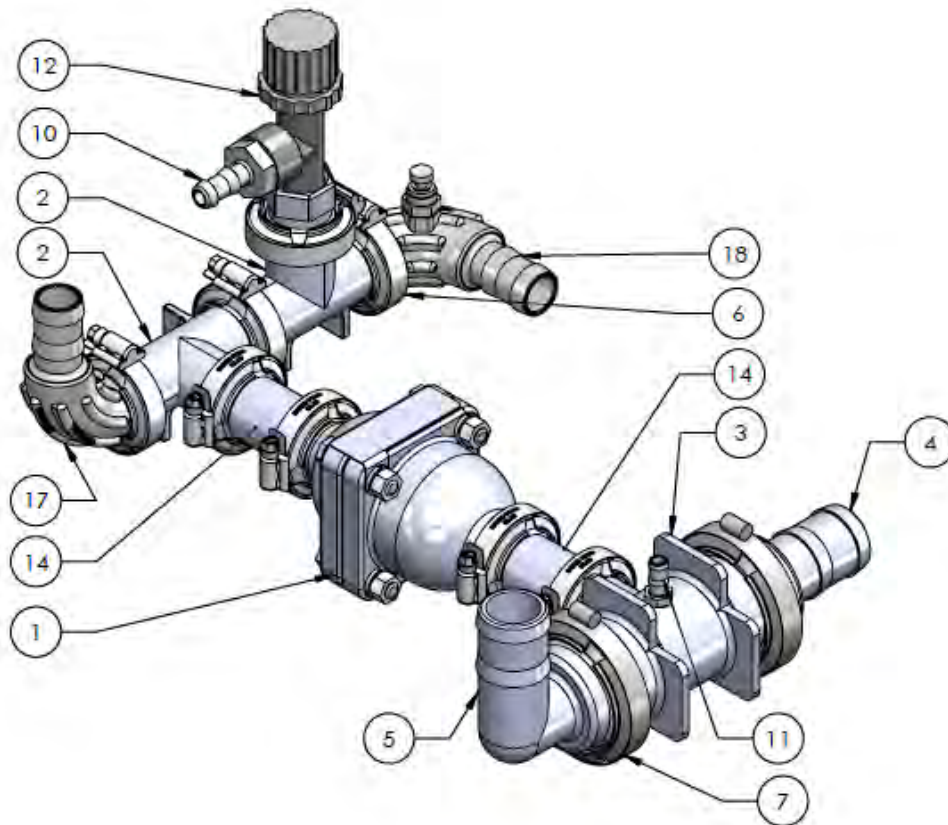
ITEM NO.	PART NUMBER	DESCRIPTION	QTY.
1	400-1117A4	Diaphragm Pump Bracket	1
2	290-02-PR30	PR30 Poly BlueFlex Diaphragm Pump - 30GPM	1
3	291-02-AR55376	Flange Adapter Kit - PR30	1
4	520-00-3013	Plumbing Assembly - PR17/30 Hydraulic Diaphragm Pumps	1
5	410-4015Y1	PR17/30 - Flow Meter Support Bracket	1
6	410-4014Y1	PRV Support Bracket - PR17/30	1
7	323-05-SS	5/16" Flange Nut SS	6
8	300-050012-SS	5/16" x 3/4" HCS SS	6
9	350-0605	SS Hose Clamp - Size 6 - 7/8" Diameter	2
10	350-TC181	T-Bolt Hose Clamp - 1.81 - 2.06" Diameter (fits 1 1/2" Enforcer or AG200)	2
11	350-1608	1" Hose Clamp	2
12	280-100-AG200-25L-PR30	1" AG200 Hose - 25 inches	1
13	280-150-ENF-25L-PR30	1-1/2" Enforcer Hose - AR 140	1
14	280-05-AG200-25L	1/2" AG200 - PR17/30 - 25" L	1

See Page 28

See Page 26

PR30 Assembly and Part Breakdowns

PR17 & PR30 Pump Plumbing Assembly
Kit: 520-00-3013



ITEM NO.	PART NUMBER	DESCRIPTION	QTY.
1	102-MPRV100-100	Pressure Relief Valve - 100 PSI	1
2	105-100TEE	1" Manifold Tee	2
3	105-200100TEE038	2"Std Port x 1" Flanged Tee	1
4	105-200150BRB	2" Manifold X 1-1/2" Barb	1
5	105-200150BRB90	2" Manifold Flng 1-1/2 Barb 90	1
6	105-FC100	1" Manifold Clamp	8
7	105-FC200	2" Manifold Clamp	2
8	113-05-025	Plug - 1/4" QC	1
9	113-06-025025	QC to MPT - 1/4" QC x 1/4" MPT	1
10	101-075050	3/4" MPT x 1/2" HB	1
11	101-038050	3/8" MPT x 1/2" HB	1
12	102-23520-3-4	3/4" Throttling Valve with out spring - 150 PSI	1
13	105-100075FPT	1" Manifold x 3/4" FPT	1
14	105-100CPG	1" MANIFOLD COUPLING	2
15	105-100G	1" EPDM Manifold Gasket	8
16	105-150G	1 1/2" EPDM Gasket	2
17	105-100BRBSWP90	1" Flange X 90° Sweep Hose Barb	1
18	105-100BRBSWPG90	1" Manifold x 1" Hose Barb - 1/4" Gauge Port - 90 Degree Sweep	1

PR30 Assembly and Part Breakdowns

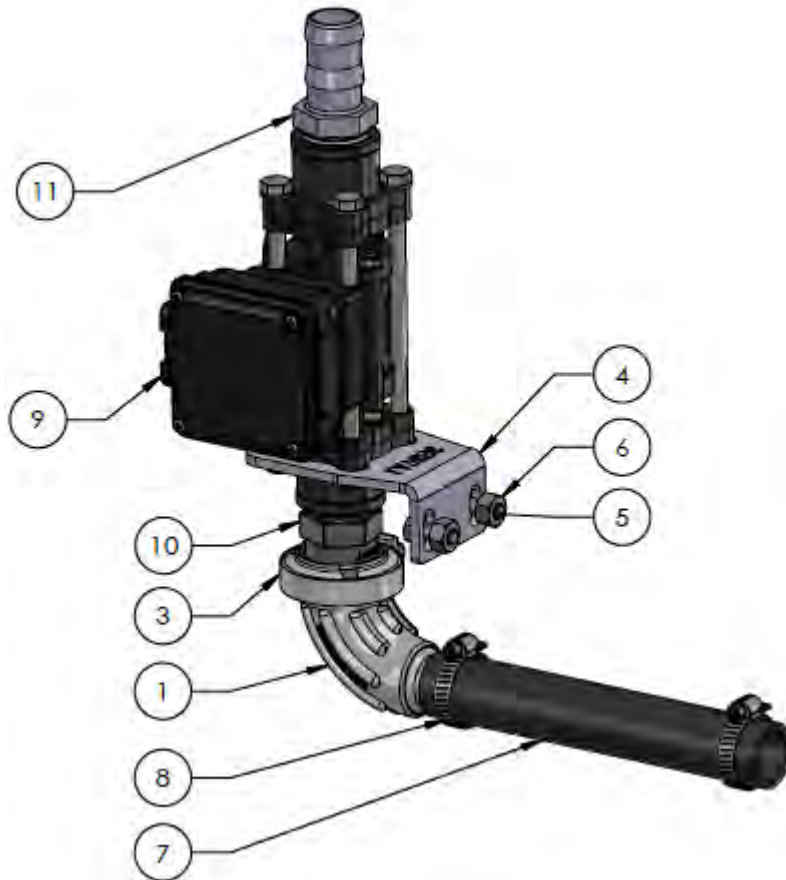
PR30 Flowmeter Kits

Kit: 500-02-2090 EMag PR17/PR30 Flowmeter Kit (.6 - 13 GP

Kit: 500-02-2095 EMag PR30 Flowmeter Kit (1.3 - 26 GPM)

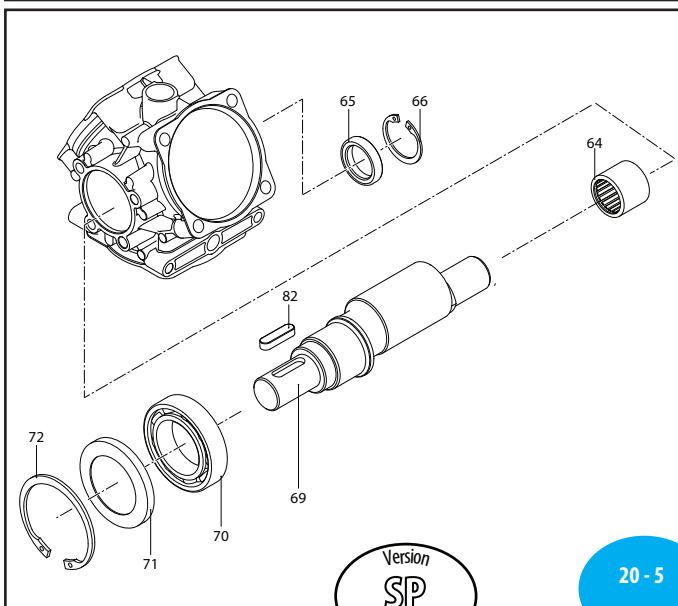
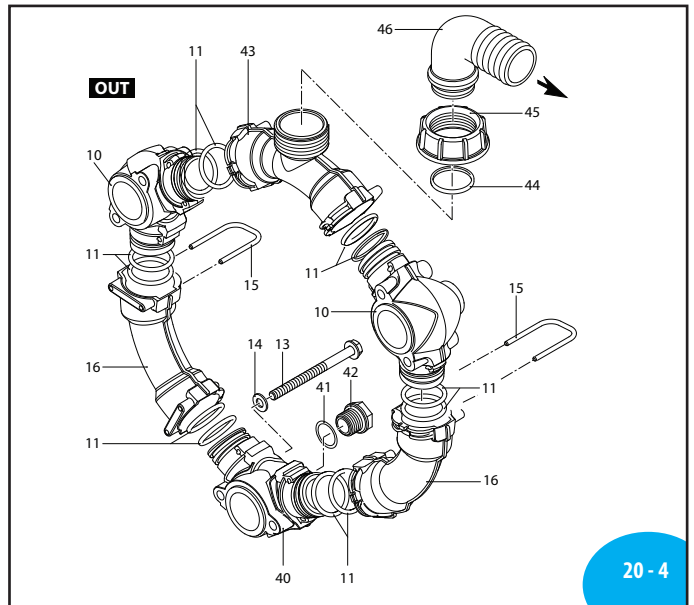
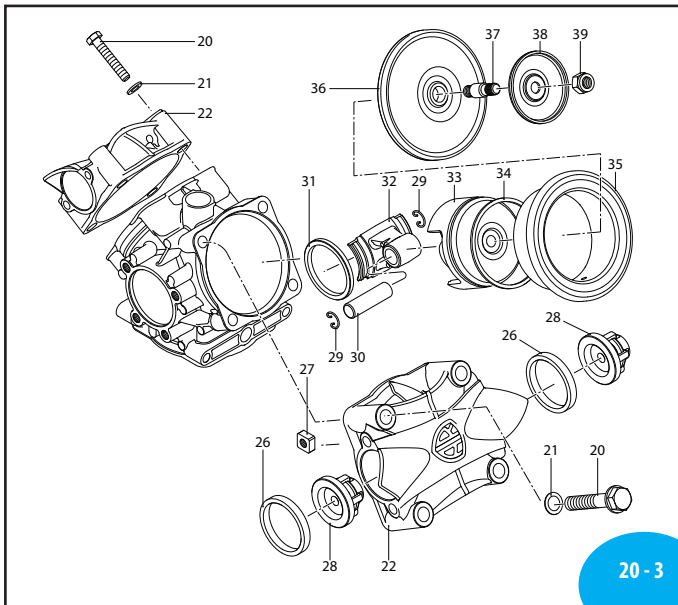
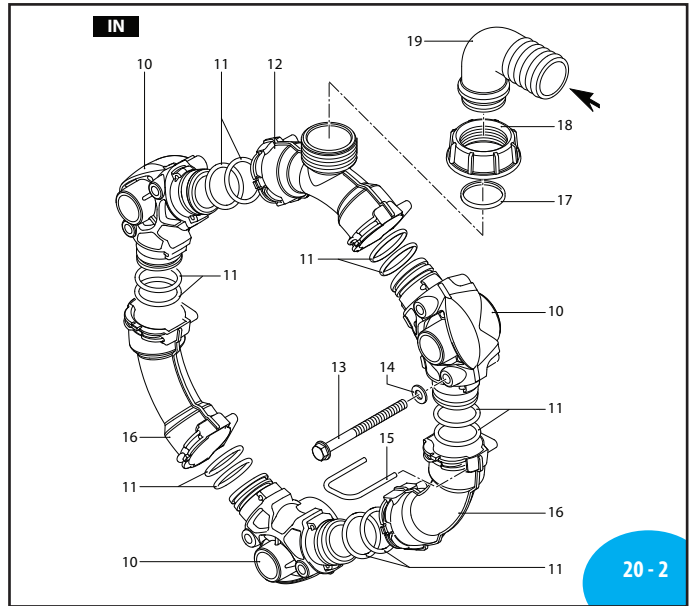
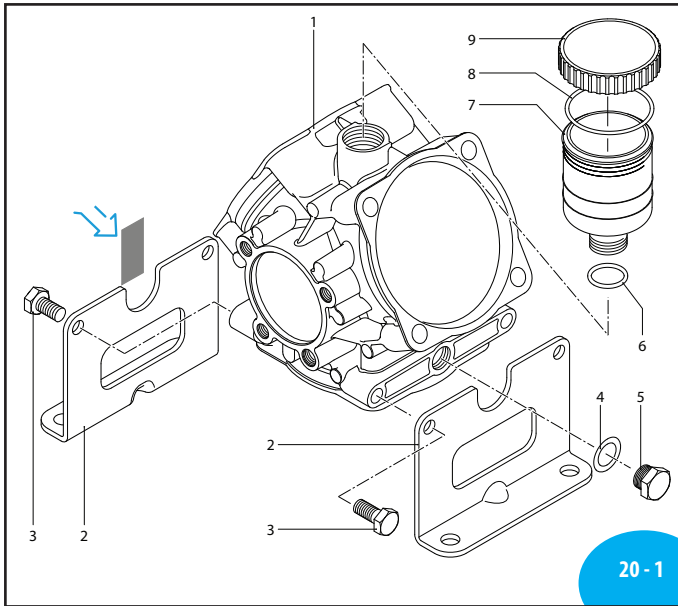
C

Maintenance
& Parts



ITEM NO.	PART NUMBER	DESCRIPTION	QTY.
1	105-100BRBWP90	1" Flange X 90° Sweep Hose Barb	1
2	105-100G	1" EPDM Manifold Gasket	1
3	105-FC100	1" Manifold Clamp	1
4	400-3826Y1	SS Flowmeter Mounting Bracket	1
5	300-050012-SS	5/16" x 3/4" HCS SS	2
6	323-05-SS	5/16" Flange Nut SS	2
7	280-100-AG200-8L	1" AG200 Hose - 8" L	1
8	350-1608	1" Hose Clamp	2
9	204-01-46211CUF02	Electro Magnetic Flow meter .6 - 13 GPM Non-visual	1
	204-01-46211CUF03	Electro Magnetic Flow meter 1.3 - 26 GPM Non-visual	
10	105-100MPT	1" Flange X 1" Male Thread	1
11	101-100100	1" MPT x 1" HB	1

PR30 Breakdown



PR30 Diaphragm Pump Parts

#	Item Number	Item Description	QTY	#	Item Number	Item Description	QTY
1	291-13-3460010	PR30 Pump Housing	1	30	291-02-9910-380300	PR30 & D115 Piston Pin	3
2	291-13-3460100	PR30 Black Metal Mounting Foot	2	31	291-13-3460090	PR30 Piston Connecting Rod Ring	2
3	291-13-160673	PR30 & PR40 Metric Bolt for Mounting Foot to Housing M10 x 25 T265*	4	32	291-13-3460080	PR30 Piston Connecting Rod	3
4	291-02-9910-740290	PR17, PR30, PR40 Pump Oil Drain Plug O-Ring	1	33	291-13-580120	PR30 & D115 Piston	3
5	291-02-2406-0023	PR17, PR30, PR40, D70, D115, & D160 Pump Oil Drain Plug T177*	1	34	291-02-9910-500260	PR30, PR40, D115, D160, & AR&HD250 Piston Ring	3
6	291-13-720030	PR17 & PR30 Sight Glass to Pump O-Ring	1	35	291-13-750110	PR30, D160, & D250 Diaphragm Sleeve	3
7	291-13-3120240	PR17 & PR30 Sight Glass T177*	1	36	291-13-550081	BlueFlex Diaphragm for D70/ 115/ 160/ AR&H250/ PR30/ PR40	3
8	291-02-9910-650920	PR17, PR30, & D115 Sight Glass Cap O-Ring	1	37	291-13-2240101	PR30 & PR40 Hub Pin T265*	3
9	291-13-1040324	PR17 & PR30 Sight Glass Cap	1	38	291-13-580090	PR30 Diaphragm Plate	3
10	291-13-3460030	PR30 Inlet & Outlet Male Manifold	5	39	291-13-2240670	PR17, PR30, & PR40 Hub Pin Nut	3
11	291-13-2680141	PR30 Manifold O-Ring - Inlet and Outlet	24	40	291-13-3460031	PR30 Outlet Male Manifold With Plug Port	1
12	291-13-3460050	PR30 Inlet Manifold - Threaded	1	41 (a)	291-13-1150641	O-Ring - PR30 & PR40 Manifold Plug (new style plug)	1
13	291-13-3460201	PR30 & PR40 Metric Bolt For Male Manifolds M8 x 100 T106*	12	41 (b)	291-13-1140451	PR30 & PR40 Manifold Plug O-Ring (old style plug)	
14	291-13-390315	Washer - SS for M8	12	42	291-13-346090	PR30 & PR40 Manifold Plug (new style) T88*	1
15	291-13-3460210	PR17 & PR30 Manifold Connecting Fork & PR40 Accumulator Connecting Fork	12	43	291-13-3460060	PR30 Outlet Manifold - Threaded	1
16	291-13-3460040	PR30 Inlet & Outlet Female Manifold	4	44	291-13-880311	PR30 Outlet 1" Ring Nut O-Ring & PR40 Accumulator O-Ring	1
17	291-13-1880460	O-Ring - 29 x 3 Viton	1	45	291-13-651100	Ring Nut 1 1/4"	1
18	291-02-9910-750670	Ring Nut for 1 1/2" Inlet	1	46	291-13-651460	PR30 1" Outlet Elbow	1
19	291-13-50267	Poly Elbow- 1 1/2" Inlet HB	1	64	291-13-3460110	PR17 & PR30 Needle Bearing	1
20	291-13-750072	PR30 & PR40 Metric Bolt For Pump Head M12 x 70 T309*	12	65	291-13-1300230	PR17 & PR30 Non Motor Side Seal Ring	1
21	291-13-390092	PR30 & PR40 SS Washer For M12 x 70 Bolt	12	66	291-13-480900	PR17 & PR30 Non Motor Side Snap Ring	1
22	291-13-3460020	PR30 & PR40 Pump Head	3	69	291-13-3460260	PR30 Pump Shaft	1
26	291-13-3460380	Valve Gasket For PR17, PR30, and PR40	6	70	291-13-961781	PR30 Roller Bearing	1
27	291-13-3120510	Nut for all M8 Bolts	12	71	291-13-3120160	PR17 & PR30 Motor Side Seal Ring	1
28	291-13-2429051	Valve For PR17, PR30, and PR40	6	72	291-13-961790	PR17 & PR30 Motor Side Snap Ring	1
29	291-02-9910-380080	PR30 & D115 Piston Pin Snap Ring	6	82	291-13-2460480	PR30 Pump Shaft Key Way	1

* Torque: in-lbs +/- 10%

291-13-100150 PR30 & PR40 Diaphragm Service Kit

#	Description	QTY	#	Description	QTY
26	Valve Gasket	2	36	Diaphragm	1
28	Valve	2	(pump requires 3 kits)		

291-13-100710 PR30 O-Ring Kit

#	Description	QTY	#	Description	QTY
4	Oil Drain Plug O-Ring	1	17	O-Ring 29x3 Viton	1
6	Sight Glass to Pump O-Ring	1	41	Outlet Male Manifold Plug O-Ring	1
8	Sight Glass Cap O-Ring	1	44	Outlet 1" Ring Nut O-Ring	1
11	Manifold O-Ring	24			

Specially-Formulated PumpRight Oil 291-02-2160-		
-0038	1 Quart	PR30 uses 28 oz. of oil
-0047	1 Gallon	
-0048	2 1/2 Gallons	

