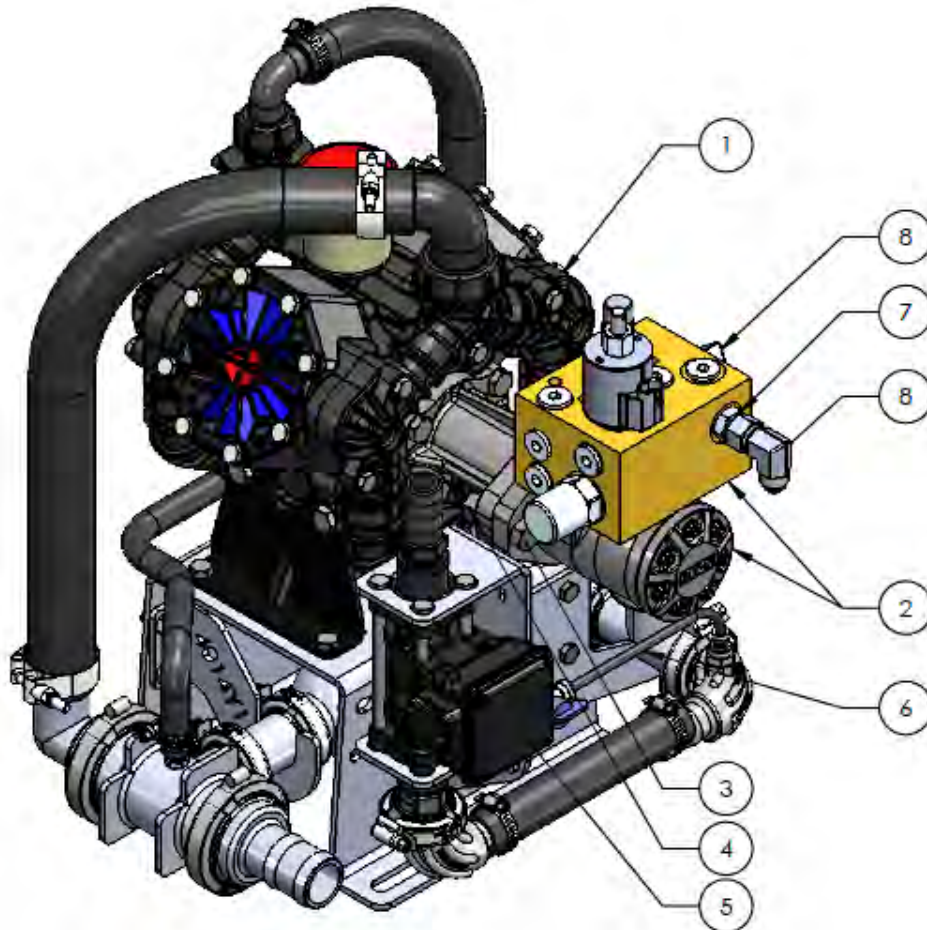


# PR17 Assembly and Part Breakdowns

Complete PR17 Pump Assembly w/ Hydraulic Motor and PWM Valve  
Kit: 500-01-4700

C

Maintenance  
& Parts



ITEM NO.	PART NUMBER	DESCRIPTION	QTY.
1	500-40-200017	PR17 Pre-Build Assembly (Minus Flowmeter and Hydraulics)	1
2	164-FTA1609	4.0 CID Hydr Motor with PWM Valve, Speed Sensor, and Bypass Valve, CW Rotation	1
	164-FTA0994	4.0 CID Hydraulic Motor with PWM Valve and Bypass Valve, CW Rotation	
3	300-080200-5	1/2" x 2" G5 Bolt	2
4	321-08	1/2" Nylock Nut	2
5	500-02-2082	EMag PR17 Flowmeter Kit (.13 - 2.6 GPM) - 1" HB	1
	500-02-2085	EMag PR17 Flowmeter Kit (.3 - 5 GPM) - 1" HB	
	500-02-2090	EMag PR17/PR30 Flowmeter Kit (.6 - 13 GPM) - 1" HB	
6	521-00-100250	Pump Priming and Air Bleed Assembly	1
7	161-01-8MB-8MJ	Adapter - #8 male O-Ring Boss to #8 male JIC	1
8	161-02-8MJ-8FJX-90	Elbow - #8 female JIC to #8 male JIC - 90	2

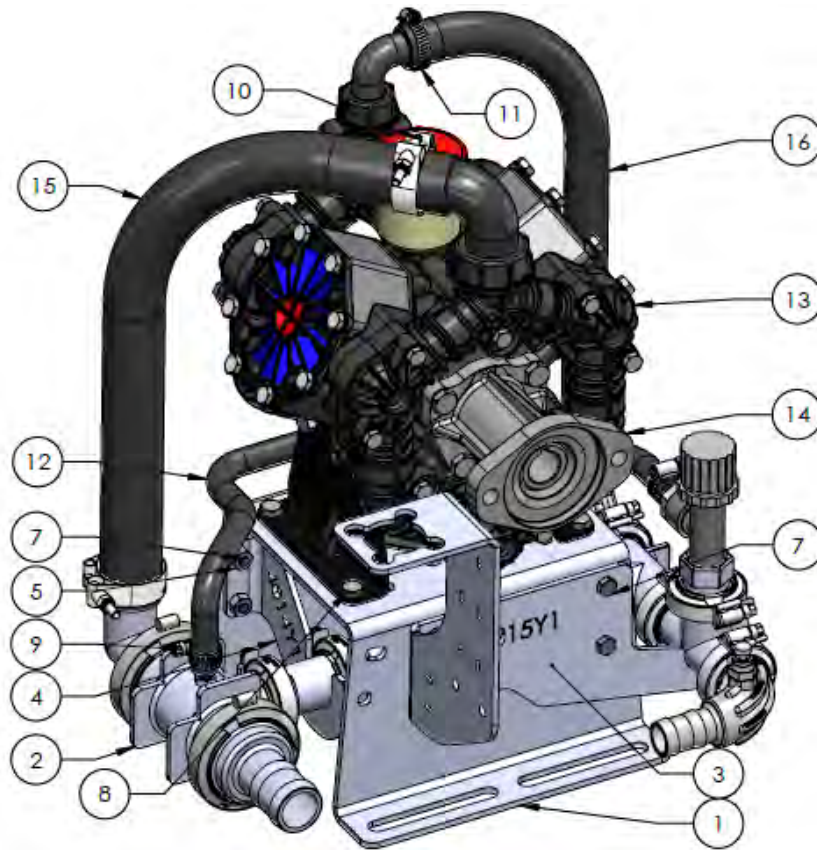
See Page 19

See Page 42

See Page 21

# PR17 Assembly and Part Breakdowns

**PR17 Pump Pre-Build Assembly  
(Minus Flowmeter and Hydraulics)  
Kit: 500-40-200017**



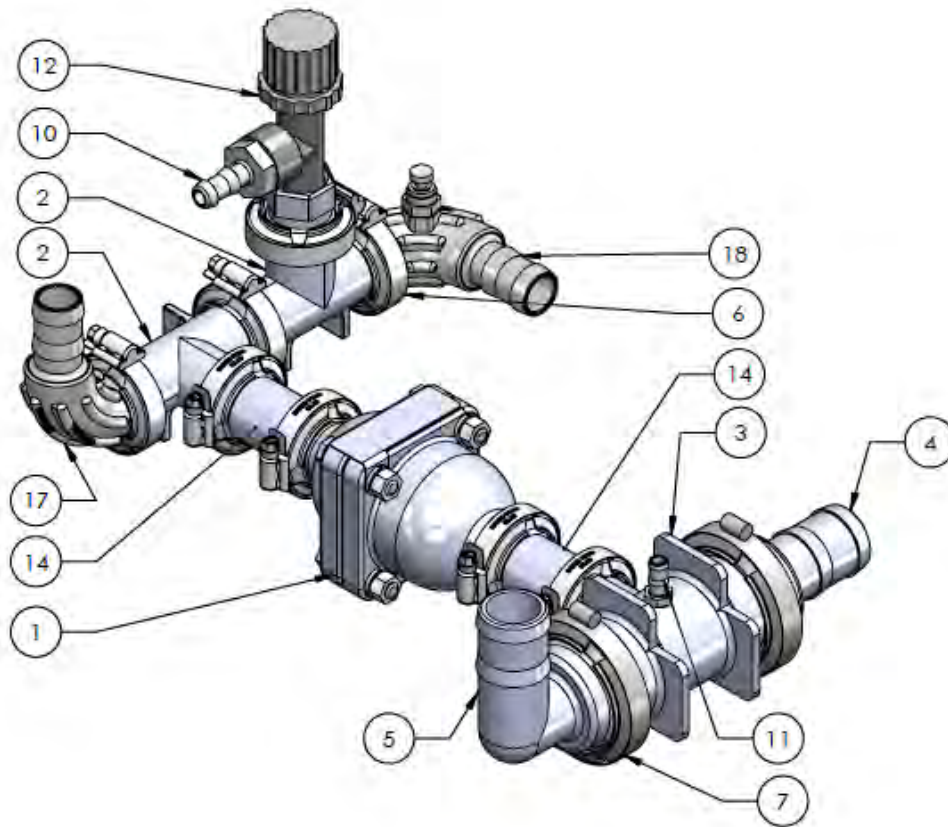
ITEM NO.	PART NUMBER	DESCRIPTION	QTY.
1	400-1117A4	Diaphragm Pump Bracket	1
2	520-00-3013	Plumbing Assembly - PR17/30 Hydraulic Diaphragm Pumps	1
3	410-4015Y1	PR17/30 - Flow Meter Support Bracket	1
4	410-4014Y1	PRV Support Bracket - PR17/30	1
5	323-05-SS	5/16" Flange Nut SS	6
6	323-06-SS	3/8" Flange Nut SS	4
7	300-050012-SS	5/16" x 3/4" HCS SS	6
8	300-060012-SS	3/8" x 3/4" HCS SS	4
9	350-0605	SS Hose Clamp - Size 6 - 7/8" Diameter	2
10	350-TC181	T-Bolt Hose Clamp - 1.81 - 2.06" Diameter (fits 1 1/2" Enforcer or AG200)	2
11	350-1608	1" Hose Clamp	2
12	280-05-AG200-25L	1/2" AG200 - PR17/30 - 25" L	1
13	290-02-PR17	PR17 Poly BlueFlex Diaphragm Pump - 17 GPM - 290 PSI	1
14	291-02-AR55375	Flange Adapter Kit - PR17	1
15	280-150-ENF-25L	1-1/2" Enforcer Hose - PR17	1
16	280-100-AG200-25L	1" AG200 Hose - PR17 - 25 inches	1

See Page 20

See Page 22

# PR17 Assembly and Part Breakdowns

PR17 & PR30 Pump Plumbing Assembly  
Kit: 520-00-3013



ITEM NO.	PART NUMBER	DESCRIPTION	QTY.
1	102-MPRV100-100	Pressure Relief Valve - 100 PSI	1
2	105-100TEE	1" Manifold Tee	2
3	105-200100TEE038	2"Std Port x 1" Flanged Tee	1
4	105-200150BRB	2" Manifold X 1-1/2" Barb	1
5	105-200150BRB90	2" Manifold Flng 1-1/2 Barb 90	1
6	105-FC100	1" Manifold Clamp	8
7	105-FC200	2" Manifold Clamp	2
8	113-05-025	Plug - 1/4" QC	1
9	113-06-025025	QC to MPT - 1/4" QC x 1/4" MPT	1
10	101-075050	3/4" MPT x 1/2" HB	1
11	101-038050	3/8" MPT x 1/2" HB	1
12	102-23520-3-4	3/4" Throttling Valve with out spring - 150 PSI	1
13	105-100075FPT	1" Manifold x 3/4" FPT	1
14	105-100CPG	1" MANIFOLD COUPLING	2
15	105-100G	1" EPDM Manifold Gasket	8
16	105-150G	1 1/2" EPDM Gasket	2
17	105-100BRBSWP90	1" Flange X 90° Sweep Hose Barb	1
18	105-100BRBSWPG90	1" Manifold x 1" Hose Barb - 1/4" Gauge Port - 90 Degree Sweep	1

# PR17 Assembly and Part Breakdowns

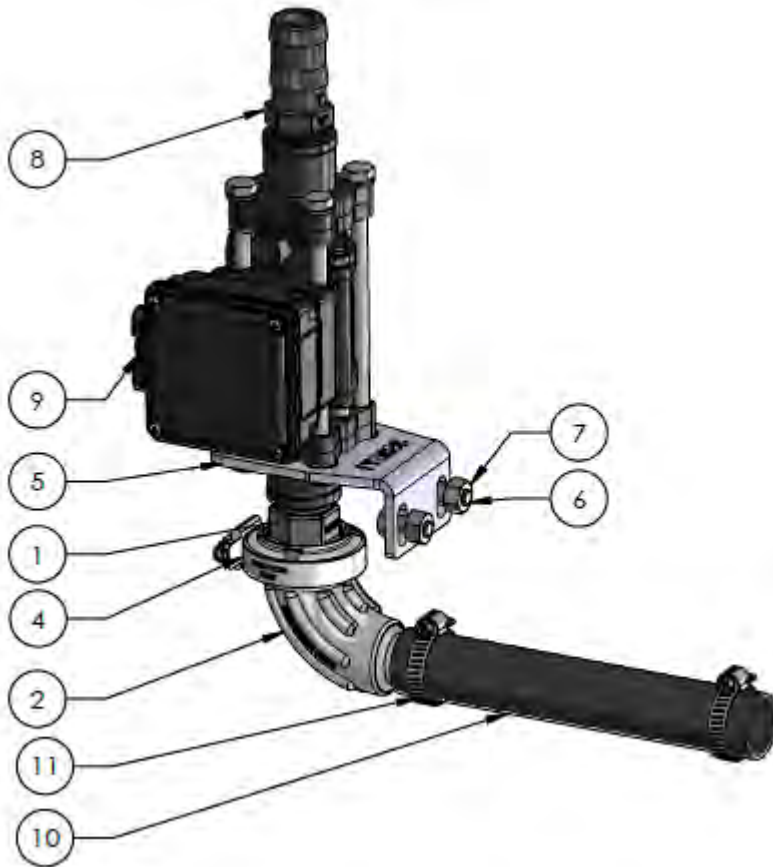


## PR17 Flowmeter Kits

Kit: 500-02-2082 EMag PR17 Flowmeter Kit (.13 - 2.6 GPM)

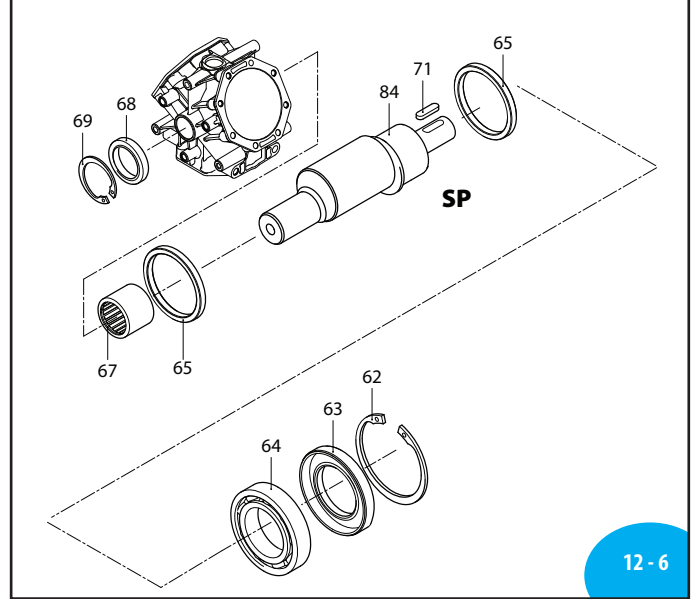
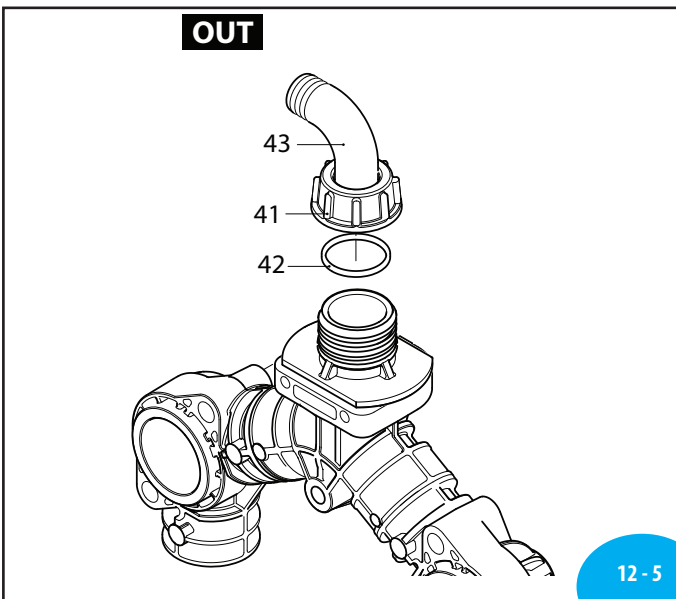
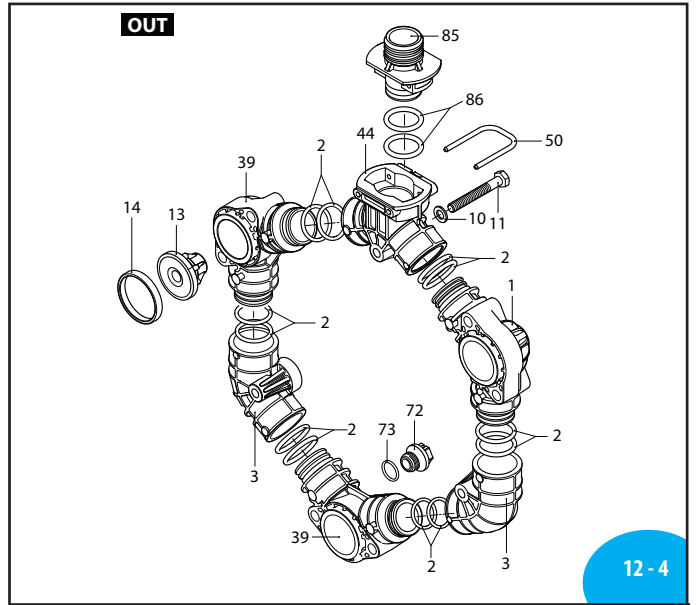
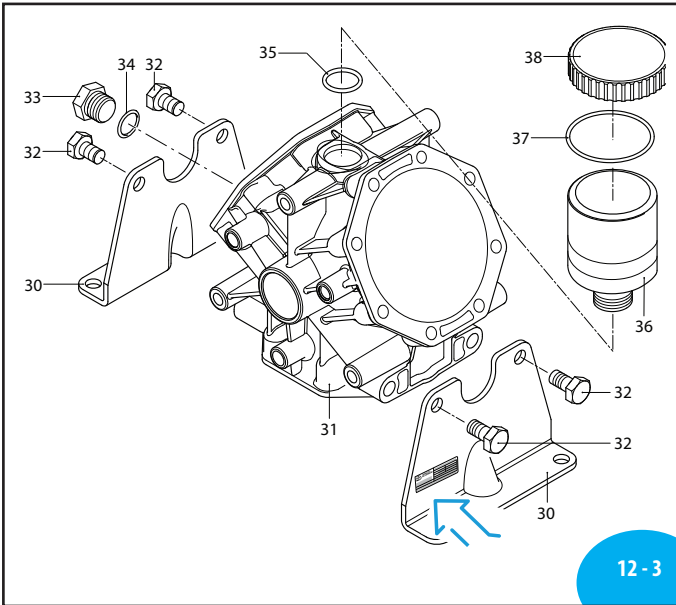
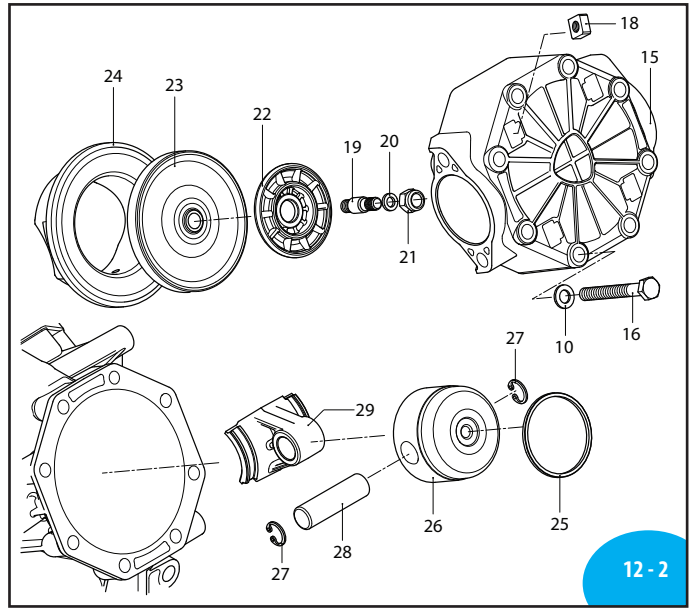
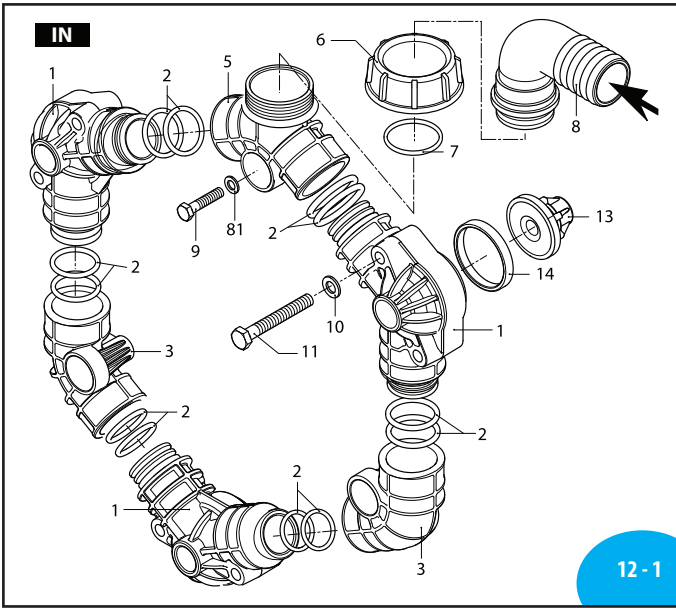
Kit: 500-02-2085 EMag PR17 Flowmeter Kit (.3 - 5 GPM)

Kit: 500-02-2090 EMag PR17/PR30 Flowmeter Kit (.6 - 13 GPM)



ITEM NO.	PART NUMBER	DESCRIPTION	QTY.
1	105-100075MPT	1" Flange X 3/4" Male Thread	1
2	105-100BRBSWP90	1" Flange X 90° Sweep Hose Barb	1
3	105-100G	1" EPDM Manifold Gasket	1
4	105-FC100	1" Manifold Clamp	1
5	400-3826Y1	SS Flowmeter Mounting Bracket	1
6	300-050012-SS	5/16" x 3/4" HCS SS	2
7	323-05-SS	5/16" Flange Nut SS	2
8	101-075100	3/4" MPT x 1" HB	1
9	204-01-46211CUF00	Electro Magnetic Flow meter 0.13-2.6 GPM	1
	204-01-46211CUF01	Electro Magnetic Flow meter 0.3-5 GPM	
	204-01-46211CUF02	Electro Magnetic Flow meter 0.6-13 GPM	
10	280-100-AG200-8L	1" AG200 Hose	1
11	350-1608	1" Hose Clamp	2

# PR17 Breakdown



## PR17 Diaphragm Pump Parts

#	Item Number	Item Description	QTY
1	291-13-3240030	PR17 Inlet & Outlet Male Manifold	5
2	291-13-390292	PR17 Manifold O-Ring - Inlet and Outlet	24
3	291-13-3240040	PR17 Inlet & Outlet Female Manifold	4
5	291-13-3240050	PR17 Inlet Manifold - Threaded	1
6	291-02-9910-750670	Ring Nut for 1 1/2" Inlet	1
7	291-13-1880460	O-Ring 29 x 3 Viton	1
8	291-13-50267	Poly Elbow 1 1/2" - Inlet	1
9	291-13-3240280	PR17 Metric Bolt For Female Manifolds M8 x 55 T106*	6
10	291-13-3120760	PR17 SS Washer For M8 x 75 & M8 x 80 Bolts	36
11	291-13-380211	PR17 Metric Bolt For Male Manifolds M8 x 75 T88*	12
13	291-13-2429051	Valve For PR17, PR30, and PR40	6
14	291-13-3460380	Valve Gasket For PR17, PR30, and PR40	6
15	291-13-3240020	PR17 Pump Head	3
16	291-13-621771	PR17 Metric Bolt For Pump Head M8 x 80 T124*	24
18	291-13-3120510	Square Nut for M8 Bolts	12
19	291-13-3240101	PR17 Hub Pin T265*	3
20	291-13-320622	PR17 Hub Pin Washer	3
21	291-13-2240670	PR17, PR30, & PR40 Hub Pin Nut T221*	3
22	291-13-3240110	PR17 Diaphragm Plate	3
23	291-13-1040083	PR17 Blueflex Diaphragm	3
24	291-13-3240130	PR17 Diaphragm Sleeve	3
25	291-13-650190	PR17 Piston Ring	3
26	291-13-1040120	PR17 Piston	3
27	291-13-1040270	PR17 Piston Pin Snap Ring	6
28	291-13-1040070	PR17 Piston Pin	3
29	291-13-3240120	PR17 Piston Connecting Rod	3
30	291-13-3240090	PR17 Black Metal Mounting Foot	2

### 291-13-100100 PR17 Diaphragm Service Kit

#	Description	QTY	#	Description	QTY
13	Valve	2	23	Diaphragm	1
14	Valve Gasket	2	<b>(pump requires 3 kits)</b>		

#	Item Number	Item Description	QTY
31	291-13-3240010	PR17 Pump Housing	1
32	291-13-620342	PR17 Metric Bolt for Mounting Foot to Housing M10x20 T265*	4
33	291-02-2406-0023	PR17 Oil Drain Plug T177*	1
34	291-02-9910-740290	Oil Drain Plug O-Ring	1
35	291-13-720030	PR17 & PR30 Sight Glass to Pump O-Ring	1
36	291-13-3120240	PR17 & PR30 Sight Glass	1
37	291-02-9910-650920	PR17, PR30, & D115 Sight Glass Cap O-Ring	1
38	291-13-1040324	PR17 & PR30 Sight Glass Cap	1
39	291-13-3240031	PR17 Outlet Male Manifold With Plug Port	1
41	291-13-3120440	1" Ring Nut - PR17 Outlet	1
42	291-13-1140451	PR17 Outlet 1" Ring Nut O-Ring and PR30 & PR40 Manifold Plug O-Ring	1
43	291-13-3120460	PR17 1" Outlet Elbow	1
44	291-13-3240080	PR17 Outlet Female Manifold with Threaded Adapter Port	1
50	291-13-3460210	PR17 & PR30 Manifold Connecting Fork & PR40 Accumulator Connecting Fork	1
62	291-13-961790	PR17 & PR30 Motor Side Snap Ring	1
63	291-13-3120160	PR17 & PR30 Motor Side Seal Ring	1
64	291-13-961780	PR17 Roller Bearing	1
65	291-13-3240320	PR17 Piston Connecting Rod Ring	2
67	291-13-3460110	PR17 & PR30 Needle Bearing	1
68	291-13-1300230	PR17 & PR30 Non Motor Side Seal Ring	1
69	291-13-480900	PR17 & PR30 Non Motor Side Snap Ring	1
71	291-13-2280950	PR17 Pump Shaft Key Way	1
72	291-13-3120690	PR17 Outlet Male Manifold Plug	1
73	291-13-2840891	PR17 Outlet Male Manifold Plug O-Ring	1
81	291-13-390315	Washer- SS for M8	6
84	291-13-3240190	PR17 Pump Shaft	1
85	291-02-9910-3240460	PR17 Threaded Adapter	1
86	291-13-550351	PR17 Threaded Adapter to Outlet Manifold O-Ring	2

\* Torque: in-lbs +/- 10%

### 291-13-100700 PR17 O-Ring Kit

#	Description	QTY	#	Description	QTY
2	Manifold O-Ring	24	37	Sight Glass Cap O-Ring	1
7	O-Ring 29x3 Viton	2	42	Outlet 1" Ring Nut O-Ring	1
34	Oil Drain Plug O-Ring	1	73	Outlet Male Manifold Plug O-Ring	1
35	Sight Glass to Pump O-Ring	1			

Specially-Formulated PumpRight Oil 291-02-2160-		
-0038	1 Quart	<i>PR17 uses 13 oz. of oil</i>
-0047	1 Gallon	
-0048	2 1/2 Gallons	

