

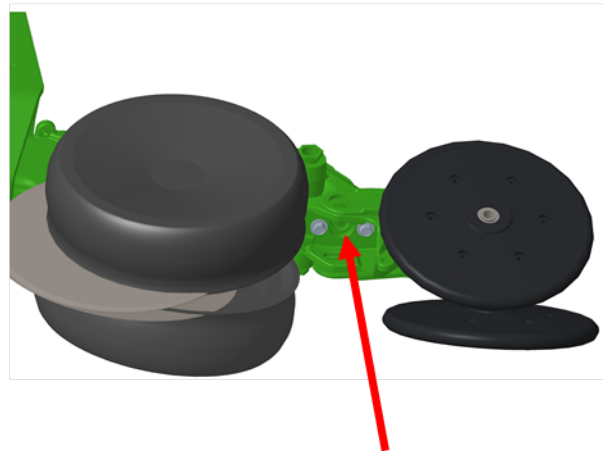
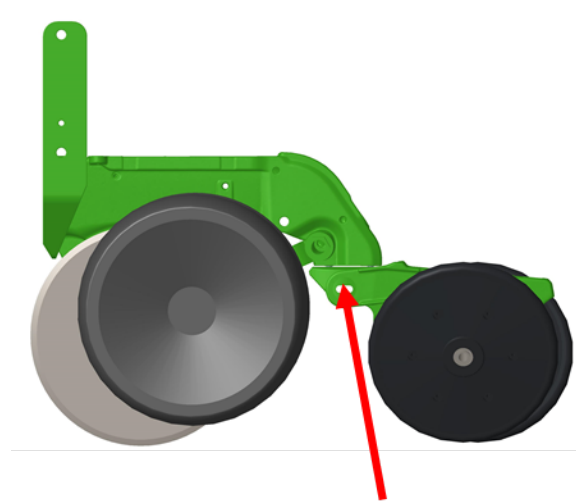
Keeton[®]

John Deere ExactEMerge Quick Attach and FurrowJet Support Bracket Installation (141150)

Note: The installation of this bracket combination will move the closing system 5.4 inches rearward.

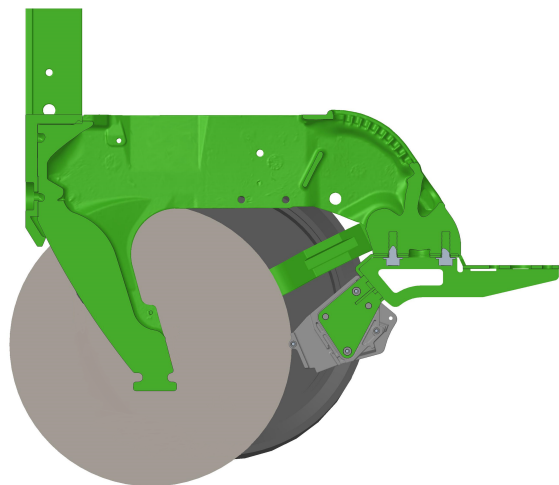
Step 1:

Remove the two closing system bolts



Step 2:

Once the closing system is removed, Install the Quick Attach and Support Bracket Assembly (141150) using the supplied bolts. These bolts will replace the two previously removed bolts.



Step 3:

Re-install the closing system on top of the Quick Attach and Support Bracket Assembly (141150) using the supplied bolts and nuts.

