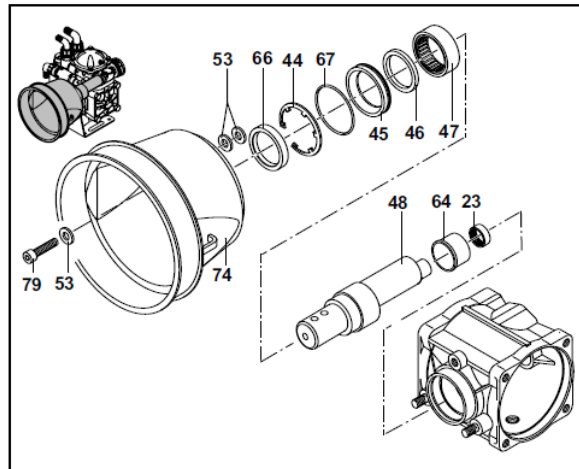
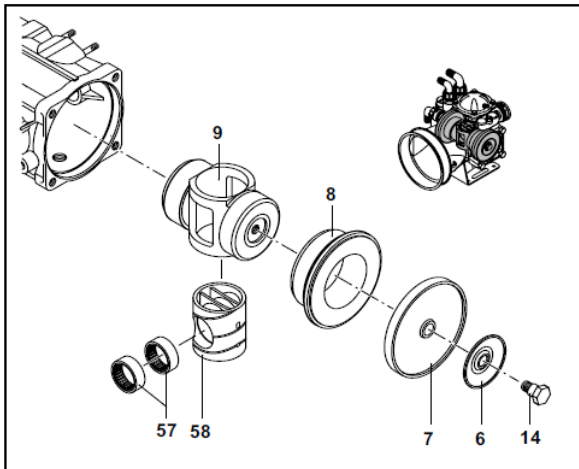
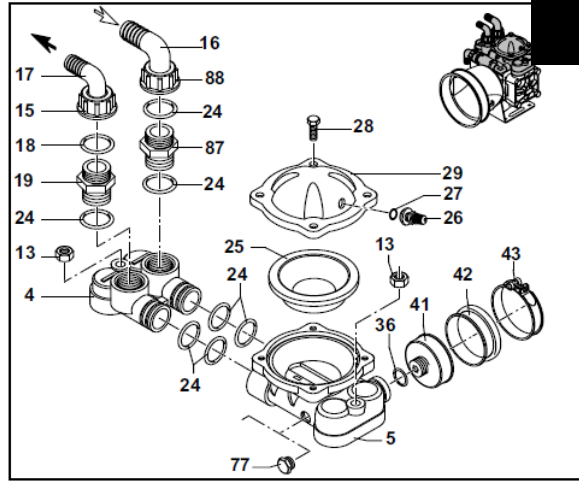
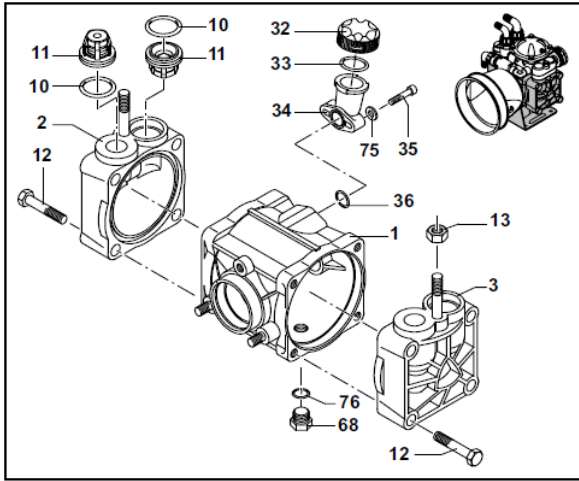


D70 Diaphragm Pump Parts



REF. NO.	PART NUMBER	DESCRIPTION	QTY. REQ'D
1	9910-550011	Pump Body with bolts	1
2	9910-550101	Right head DX	1
3	9910-550102	Left head SX	1
4	9910-550150	Manifold	1
5	9910-559200	Accumulator manifold	1
6	9910-580370	Plate	2
7	9910-550080	Diaphragm (Buna) Optional	2
7a	9910-550085	Diaphragm (Desmopan) Standard	2
8	9910-550110	Sleeve	2
9	9910-550120	Piston	1
10	9910-320030	O-ring	4
11	9910-759051	Complete valve assembly	4
12	9910-551040	M10 x 55 Bolt	8
13	9910-180152	Nut	4
14	9910-580360	Diaphragm bolt	2
15	9910-550880	Ring nut	1
16	9910-580040	Elbow 1-1/4"	1
17	9910-550370	Elbow 1"	1
18	9910-550350	O-ring	1
19	9910-550340	Threaded adapter	1
23	9910-550310	Roller bearing	1
24	9910-390290	O-ring	7
25	9910-550190	Accumulator diaphragm	1
26	9910-550300	Air valve	1
27	9910-650542	O-ring	1
28	9910-550680	Bolt	4
29	9910-559204	Upper air chamber	1

REF. NO.	PART NUMBER	DESCRIPTION	QTY. REQ'D
32	9910-550057	Sight glass cap	1
33	9910-550040	O-ring	1
34	9910-550030	Oil sight glass	2
36	9910-180101	O-ring	2
41	9910-650660	Diaphragm holder	1
42	9910-650670	Diaphragm	1
43	9910-650690	Clamp	1
44	9910-200391	Retainer ring	1
45	9910-550470	Seal ring	1
46	9910-550070	Spacer ring	1
47	9910-550060	Roller bushing	1
48	9910-550170	Shaft	1
52	9910-200233	Washer	2
53	9910-320621	Washer	5
57	9910-550280	Bearing	2
58	9910-550140	Cylinder	1
64	9910-550160	Spacer	1
66	9910-550491	Seal ring	1
67	9910-650920	O-ring	1
68	2406-0023	Oil drain plug	1
74	9910-1500350	Shield	1
75	9910-550332	Washer	2
76	9910-740290	O-ring	1
77	9910-330173	Plug	1
79	9910-620472	M10 x 20 Bolt	1
87	9910-450120	Threaded adapter	1
88	9910-550870	Ring nut	1