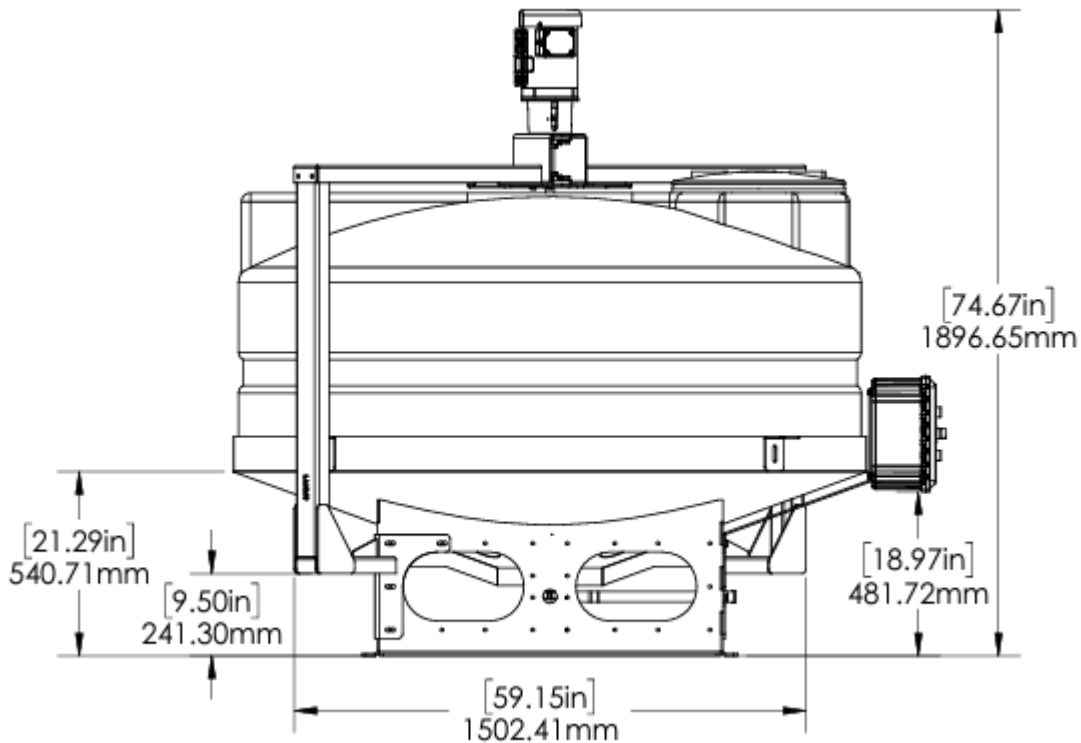
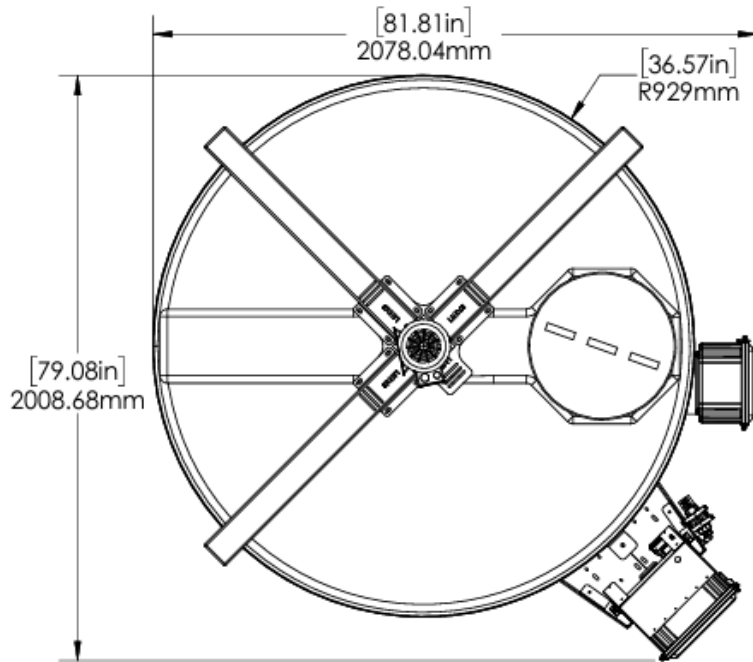




Dimensioned Drawing

546-06-200550 - Marksman 550 Gallon, 20° Cone Bottom Tank Skid - 2HP Agitation, 6" Impeller





Dimensioned Drawing, Cont'd.

