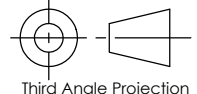


PROPRIETARY AND CONFIDENTIAL
 THE INFORMATION CONTAINED IN THIS DRAWING IS THE SOLE PROPERTY OF SUREFIRE AG SYSTEMS, INC. ANY REPRODUCTION IN PART OR AS A WHOLE WITHOUT THE WRITTEN PERMISSION OF SUREFIRE AG SYSTEMS, INC. IS PROHIBITED.



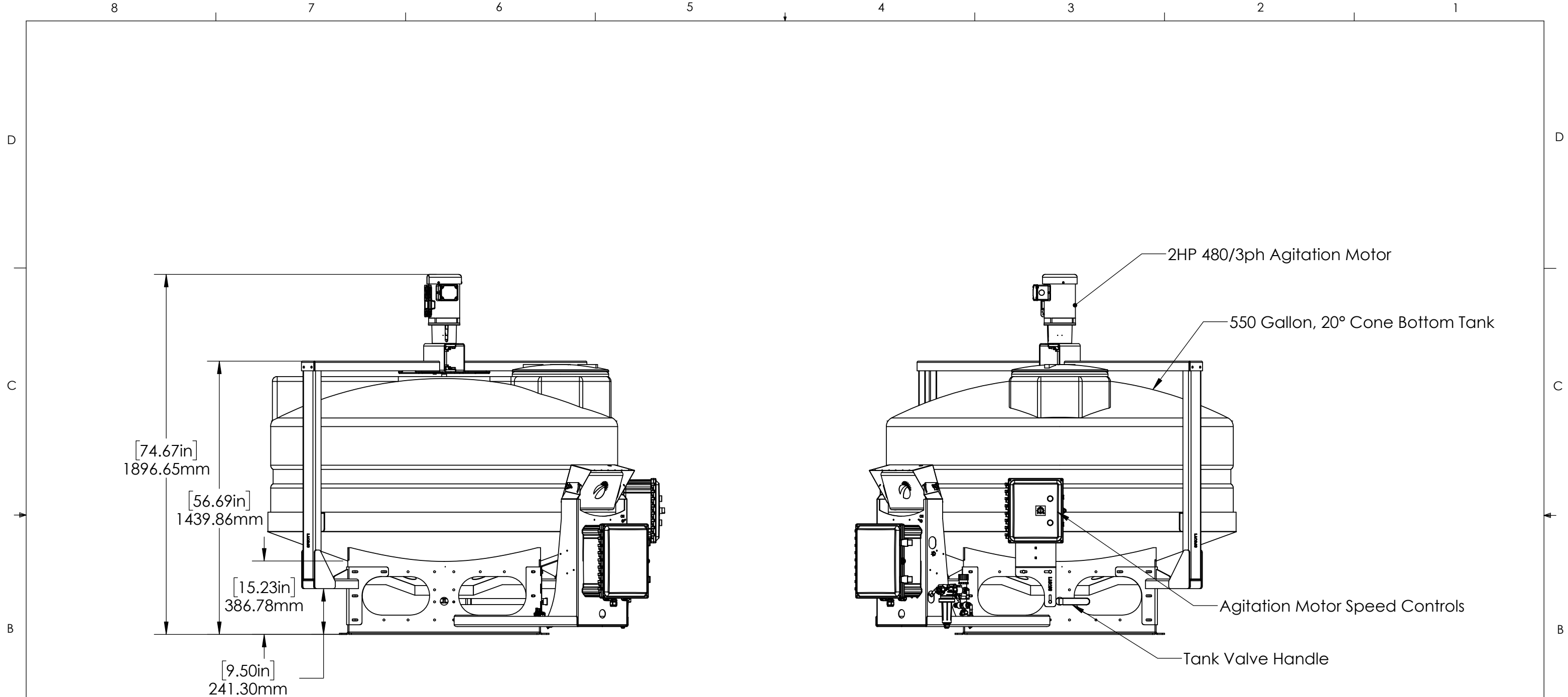
UNLESS OTHERWISE SPECIFIED:
DIMENSIONS ARE IN MM
 TOLERANCES:
 FRACTIONAL ±
 ANGULAR: MACH ± BEND ±
 TWO PLACE DECIMAL ±
 THREE PLACE DECIMAL ±

INTERPRET GEOMETRIC TOLERANCING PER:
 MATERIAL
Steel
 FINISH
 DO NOT SCALE DRAWING

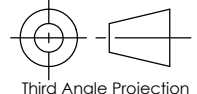
	NAME	DATE
DRAWN	Cedric Green	1/24/2018
LAST SAVED		10/31/2018
ENG APPR.		
MFG APPR.		
PROJECT	Components - Misc	



SureFire Ag Systems		
TITLE: Marksman 550 Gallon, 20° Cone Bottom Tank Skid - 2HP Agitation, 6" Impeller		
DWG. NO.	REV	
546-06-200550	A-01	
SCALE: 1:20	WEIGHT:	SHEET 2 OF 3



PROPRIETARY AND CONFIDENTIAL
 THE INFORMATION CONTAINED IN THIS DRAWING IS THE SOLE PROPERTY OF SUREFIRE AG SYSTEMS, INC. ANY REPRODUCTION IN PART OR AS A WHOLE WITHOUT THE WRITTEN PERMISSION OF SUREFIRE AG SYSTEMS, INC. IS PROHIBITED.



UNLESS OTHERWISE SPECIFIED:	
DIMENSIONS ARE IN MM	
TOLERANCES:	
FRACTIONAL ±	
ANGULAR: MACH ±	BEND ±
TWO PLACE DECIMAL ±	
THREE PLACE DECIMAL ±	
INTERPRET GEOMETRIC TOLERANCING PER:	
MATERIAL	Steel
FINISH	
DO NOT SCALE DRAWING	

NAME	DATE
Cedric Green	1/24/2018
LAST SAVED	10/31/2018
ENG APPR.	
MFG APPR.	
PROJECT	Components - Misc

SureFire Ag Systems	
TITLE: Marksman 550 Gallon, 20° Cone Bottom Tank Skid - 2HP Agitation, 6" Impeller	
DWG. NO.	REV
546-06-200550	A-01
SCALE: 1:20	WEIGHT:
SHEET 3 OF 3	

