

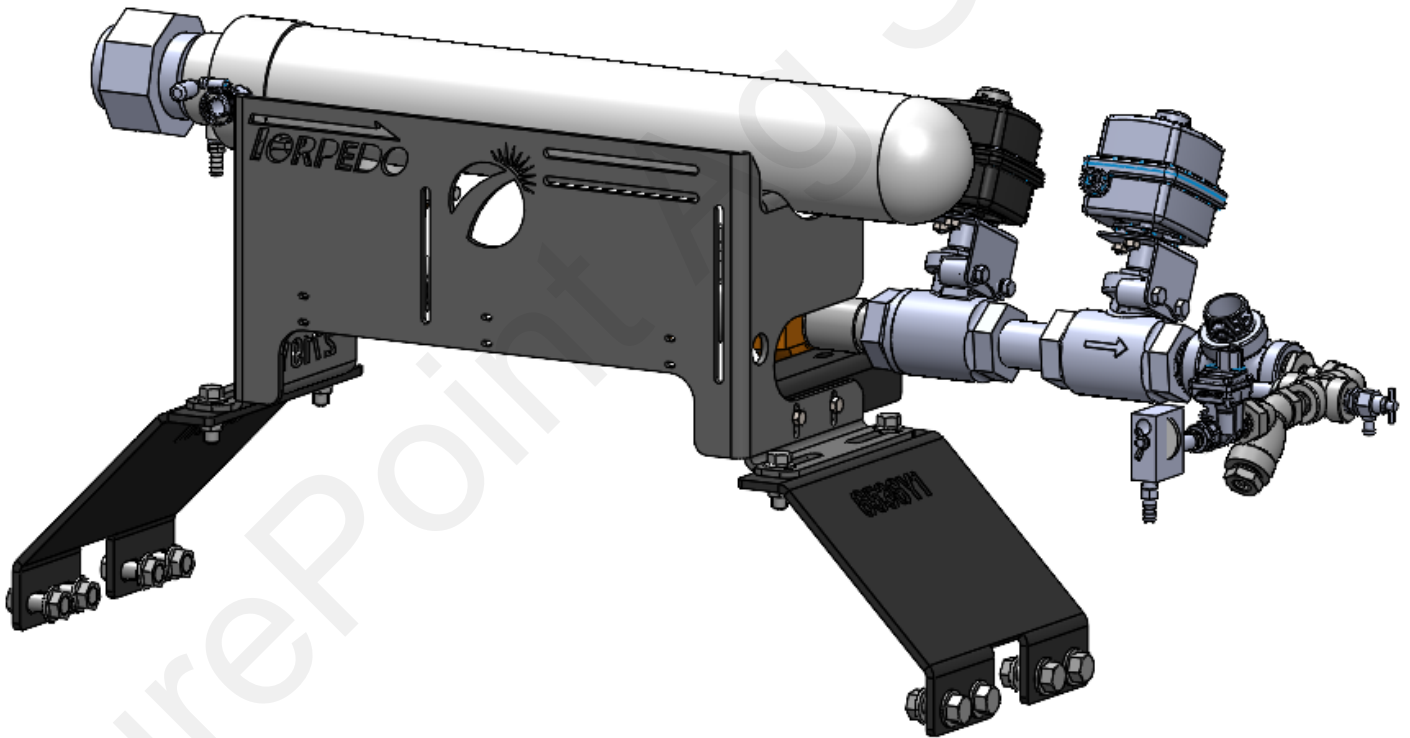


# 396-6543Y1

## JD 2510H Front Mounted Torpedo Install Instructions

**Kit Shown:** 516-01-050200

**Kit Description:** JD 23R 2510H Torpedo Mounting Kit





# Parts List and Exploded View

ITEM NO.	PART NUMBER	DESCRIPTION	QTY.
1	307-080108-5	Flange Head Bolt, 1/2" x 1-1/2" - G5	4
2	307-100108-5	Flange Head Bolt, 5/8" x 1-1/2" - G5	8
3	325-08	Top Lock Flange Nut, 1/2"-13 - G5	4
4	325-10	5/8" Top Lock Hex Flange Nut	8
5	462-6536Y1-BK	Torpedo Mounting Bracket for 2510H	2

1. Using 5/8" hardware, mount 6536Y1 to implement as shown below. *Repeat with second bracket and tighten bolts.*
2. Using 1/2" hardware, mount Torpedo to both 6536Y1 brackets, shown below. *Recommended to install with valves facing towards the front of the bar.*
3. Check for any clearance issues, and tighten hardware.

