

396-5734Y1



# QuickDraw Lite Replacement Parts Guide

SurePoint Ag Systems

# Table of Contents

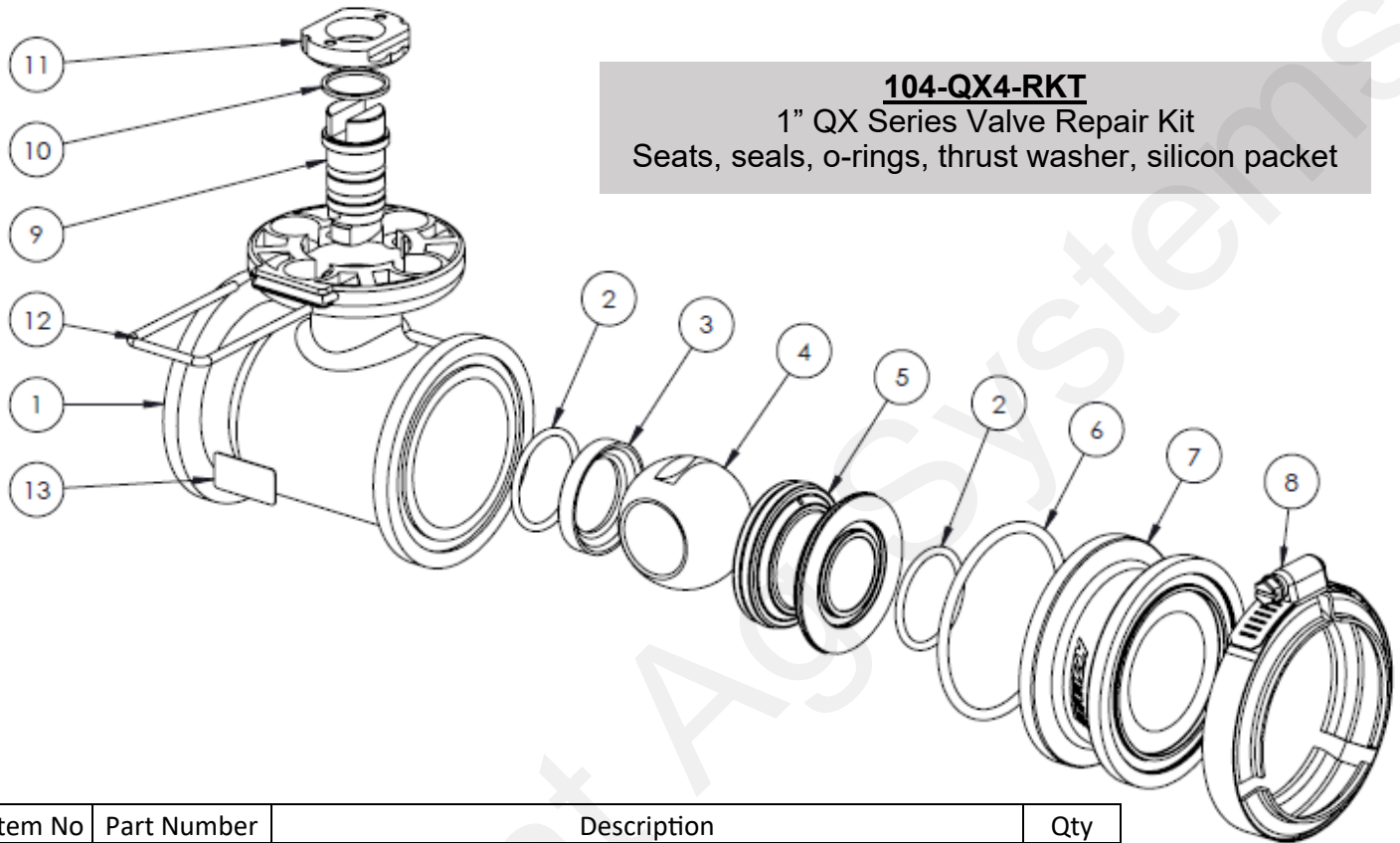
---

<b>QuickDraw Lite Valve Assemblies.....</b>	<b>4-6</b>
Valve Repair Parts .....	4
Automatic Valves .....	5
Manual Valves.....	6
<b>QuickDraw Lite Liquid Measurement.....</b>	<b>7-11</b>
Gear Meter Assemblies.....	7-8
Mass Meter Assembly.....	9
Power/Signal Conditioner.....	10
Water Flowmeter.....	11
<b>QuickDraw Lite Electronic Components.....</b>	<b>12</b>
<b>QuickDraw Lite Metal Parts.....</b>	<b>13-14</b>
Gear Meter Models.....	13
Mass Meter Models.....	14

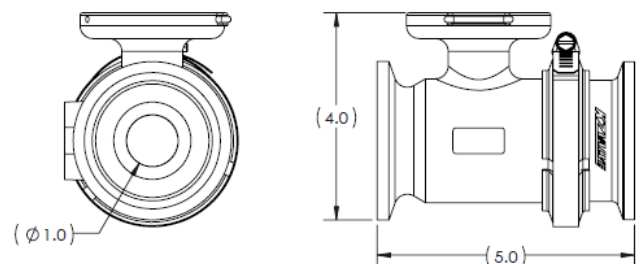
SurePoint Ag Systems

# Valve Repair Parts: 103-3325Y1

Valve Assembly	103-3325Y1	1" CAN Actuated Valve, 2-Way, 2" Standard Port Flange
Actuator	104-3614Y1	QuickDraw Replacement CAN Actuator for 1" Valve
Valve Body	104-C2F33	Replacement Valve Body for 103-2415Y1 and 103-3325Y1 - 200 Flange, 1" Thru Ball



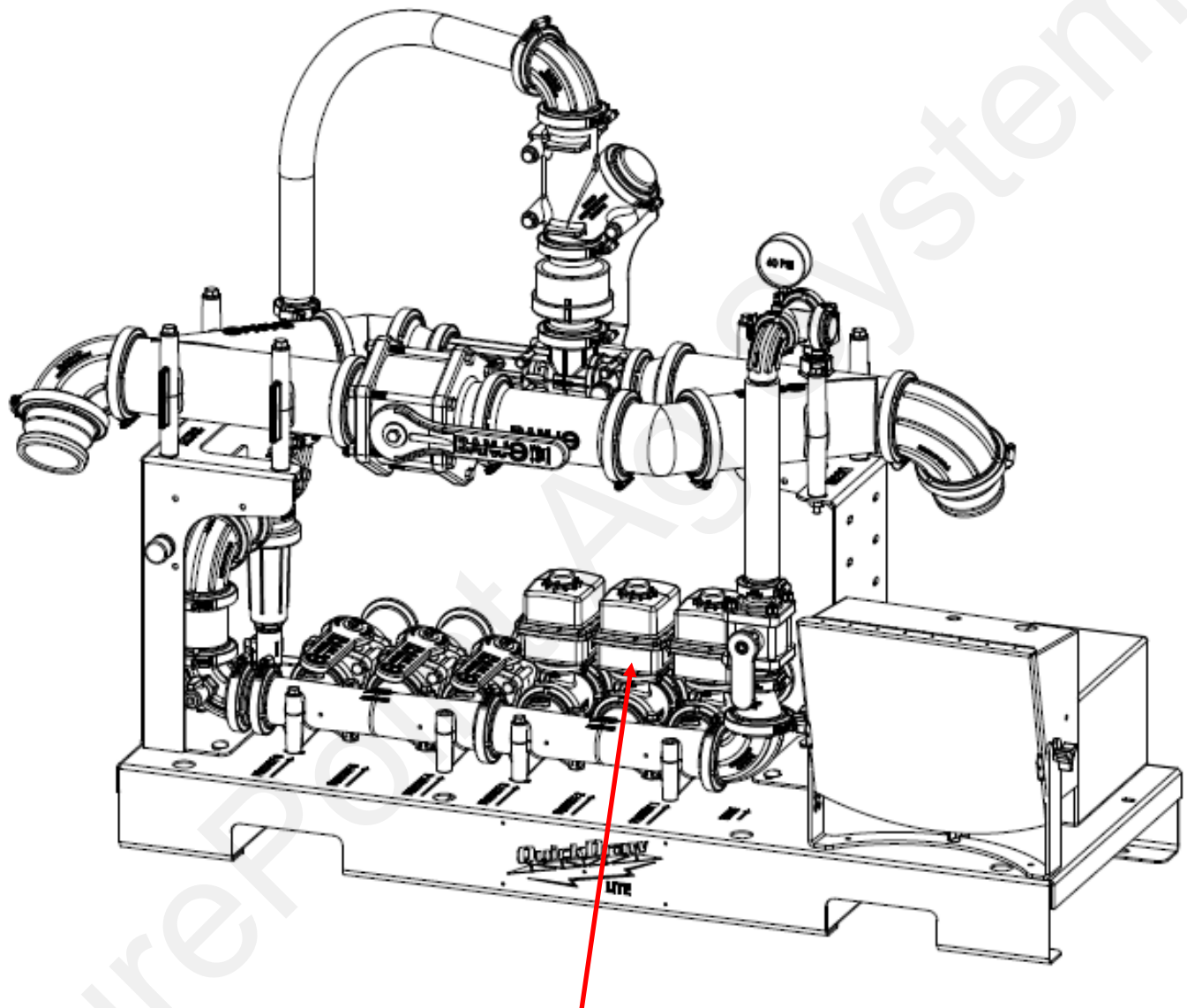
Item No	Part Number	Description	Qty
1	QX4-115	VALVE BODY, 2-WAY 2"SP FLANGE	1
2	QX4-161	O-RING, #123 QX4 SEAT BACKING	2
3	QX4-119	SEAT, QX4 VPTFE	1
4	QX4-130	BALL, 1" PORT 2-WAY M/Q SERIES SOLID INLINE	1
5	800477	SEAT DONUT ASSY, QX4-118 W/ QX4-119	1
6	QC3-134	O-RING, END CAP, #229 EPDM	1
7	211-0049	FITTING, M200 X M200, STRAIGHT, POLY_PROPYLENE_30_GF	1
8	QX4-200	CLAMP, BAND M200 TYPE V, WORM DRIVE	1
9	800460	STEM ASSY, QX/MX, INLINE, TAPPED	1
10	QC3-170	WASHER, THRUST	1
11	QX4-121-3	STEM RETAINER BUSHING	1
12	QX-103	HAIR PIN, STEM RETAINER	1
13	500-0004	LABEL, 0.50" X 1.0" THERMAL TRANSFER, WHITE	1



# Automatic Valves



## QuickDraw Lite: All Automatic Valve Configurations



**103-3325Y1 - 1" CAN Actuated Valve, 2" Standard Port**  
*Automatic Product Valve (Automatic Product Models)*

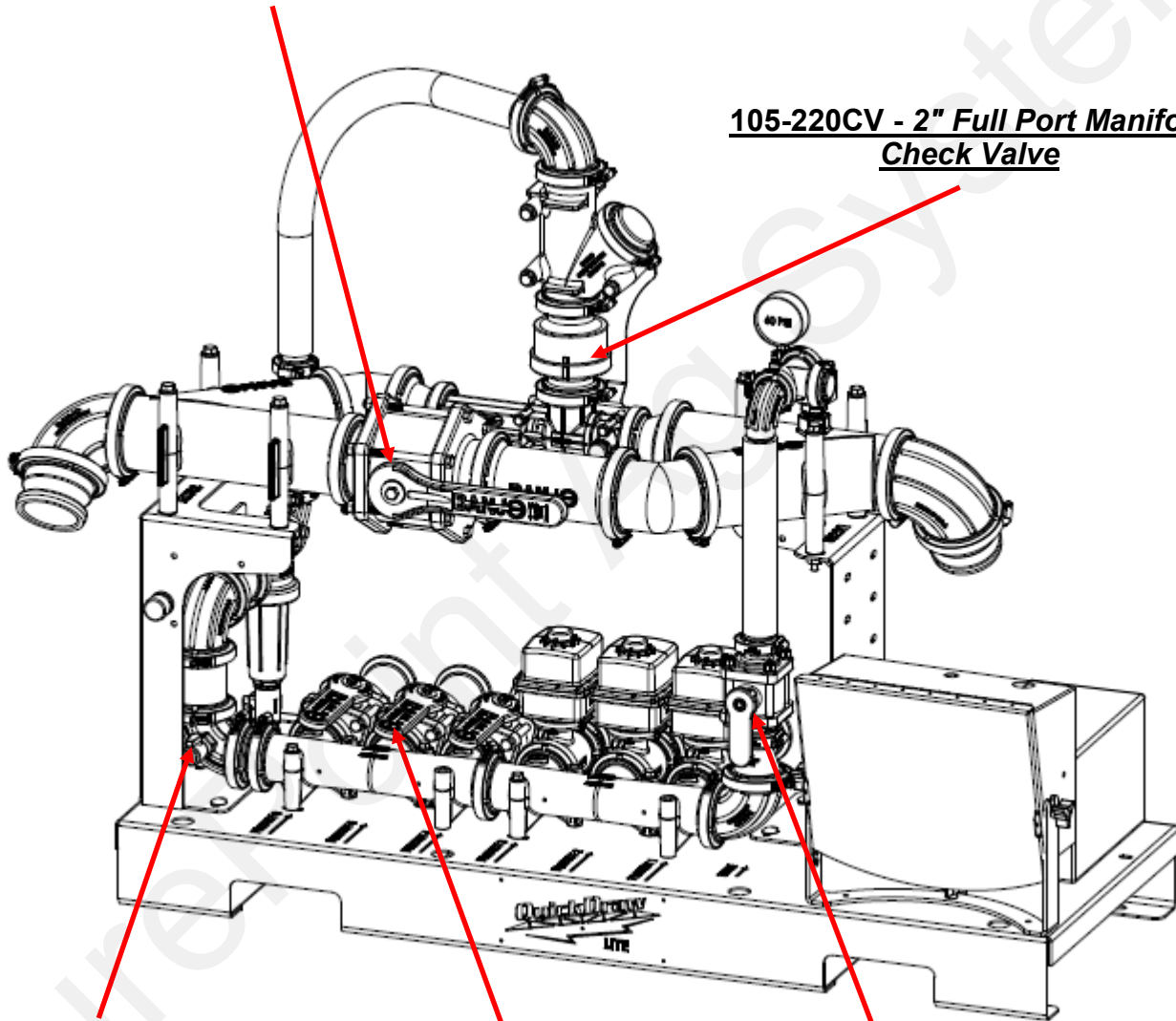
# Manual Valves

## QuickDraw Lite: All Manual Valve Configurations



**102-301MVCF - 3" Manifold Full Port Valve**  
*Carrier Valve (All QuickDraw Lite Models)*

**105-220CV - 2" Full Port Manifold Check Valve**



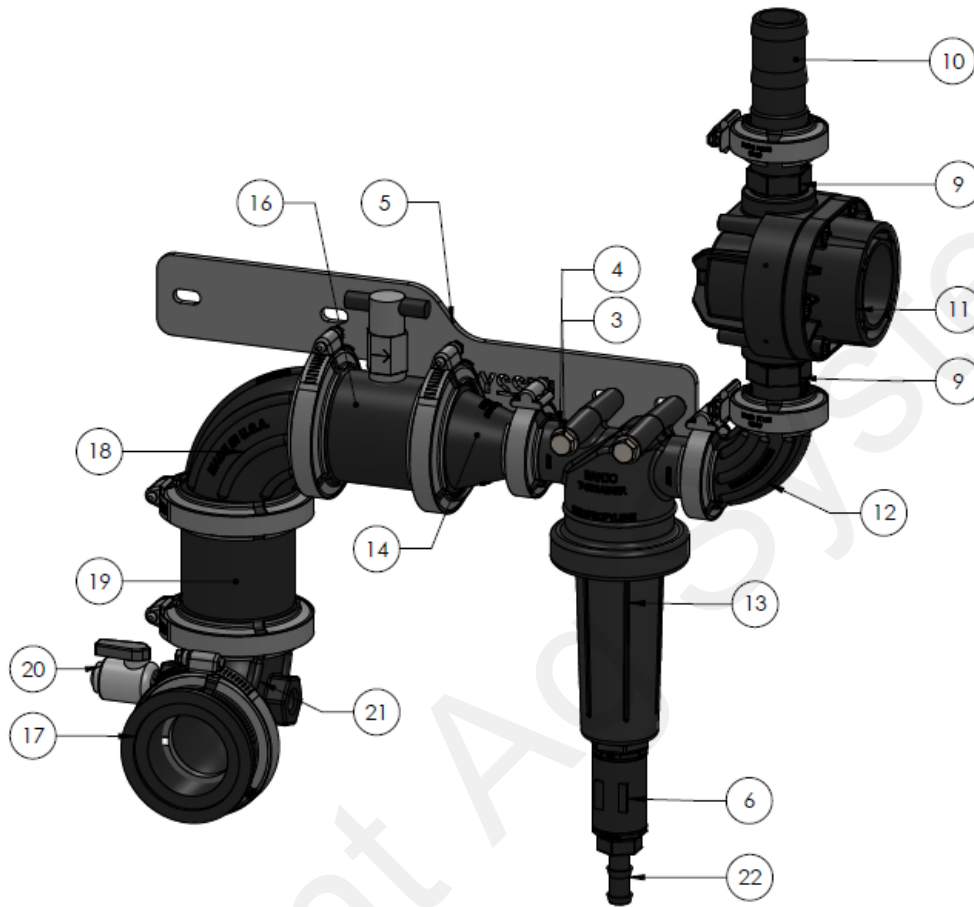
**113-52-025025 - Valve -**  
**1/4" QC x 1/4" MPT**  
*Drain Valve*

**102-200MVCF - 2" Manifold Standard Port Valve**  
*Manual Product Valve (Manual Product Models)*

**102-100MVCF - 1" Manifold Full Port Valve**  
*Rinse Valve (All QuickDraw Lite Models)*

# Oval Gear Meter Assembly (MY24 and Newer)

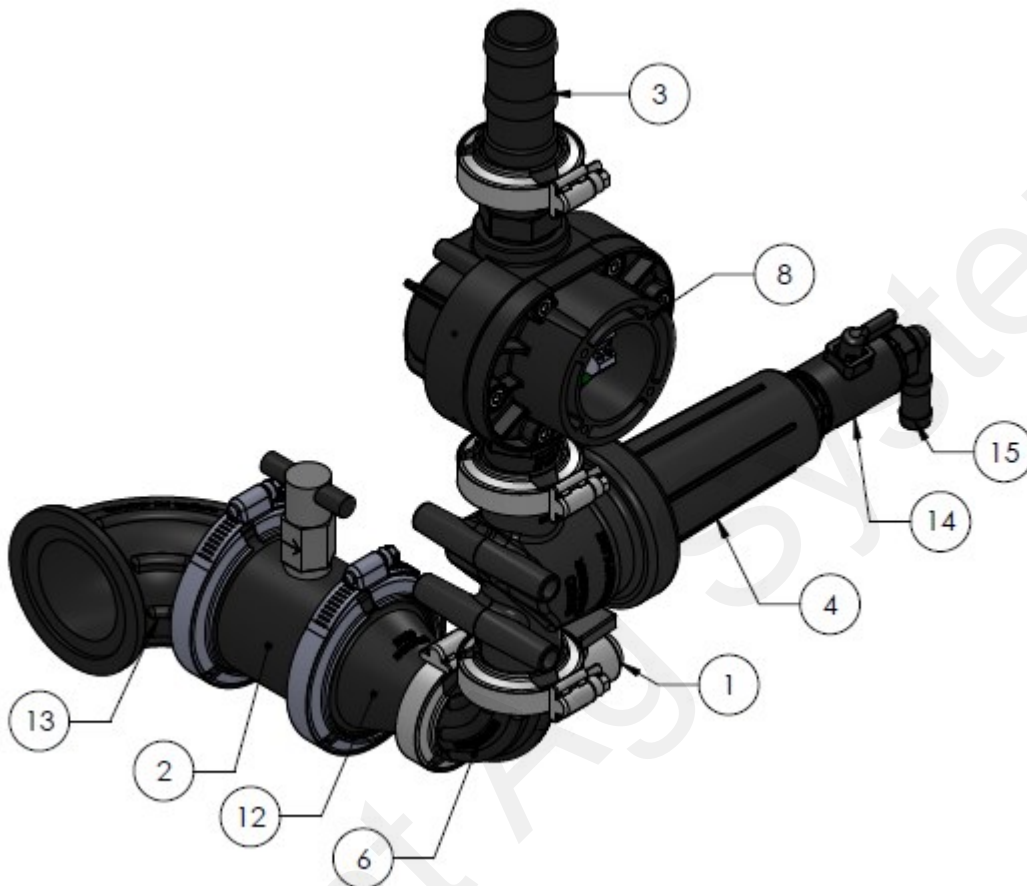
## QuickDraw Lite Models 604-025XXX



ITEM NO.	PART NUMBER	DESCRIPTION	QTY.
1	105-FC220	2" Full Port Manifold Clamp	5
2	323-05	5/16" Flange Nut	2
3	300-050400-5	5/16" x 4" Hex Head Bolt - G5	2
4	330-05	5/16" Flat Washer	2
5	475-5722Y1	QuickDraw Lite Gear Meter Strainer Support Bracket	1
6	102-050050LVMTV	1/2" MPT x 1/2" FPT Micro Valve	1
7	105-FC100	1" Manifold Clamp	4
8	105-100G	1" EPDM Manifold Gasket	4
9	105-100MPT	1" Flange X 1" Male Thread	2
10	105-100125BRB	1" Flange X 1 1/4" Barb	1
11	204-01-4206Y1	Flomec Oval Gear Meter - 2.6 - 40 GPM - 1" FNPT	1
12	105-100SWP90	1" Manifold Sweep - 90 Degree	1
13	109-100MLST-30	1" Manifold Tee Strainer - 30 Mesh	1
14	105-220100CPG	2" Full Port X 1" Reducer Coupler	1
15	105-200G-H	2" EPDM Manifold Gasket for 2" Full Port Manifold Fittings	5
16	476-5116Y1	QuickDraw Lite Flow Switch Assembly	1
17	764-2680Y2	2" full port coupling 1.21" long	1
18	105-220SWP90	2" Full Port Manifold Sweep - 90 Degree	1
19	105-220CPG	2" Full Port Coupler	1
20	113-52-025025	Valve - 1/4" QC x 1/4" MPT	1
21	105-220SWPG90	2" Full Port Manifold Sweep with 1/4" Gauge Port - 90 Degree	1
22	101-050050	1/2" MPT x 1/2" HB	1

# Oval Gear Meter Assembly (MY23 and Older)

## QuickDraw Lite Models 604-025XXX

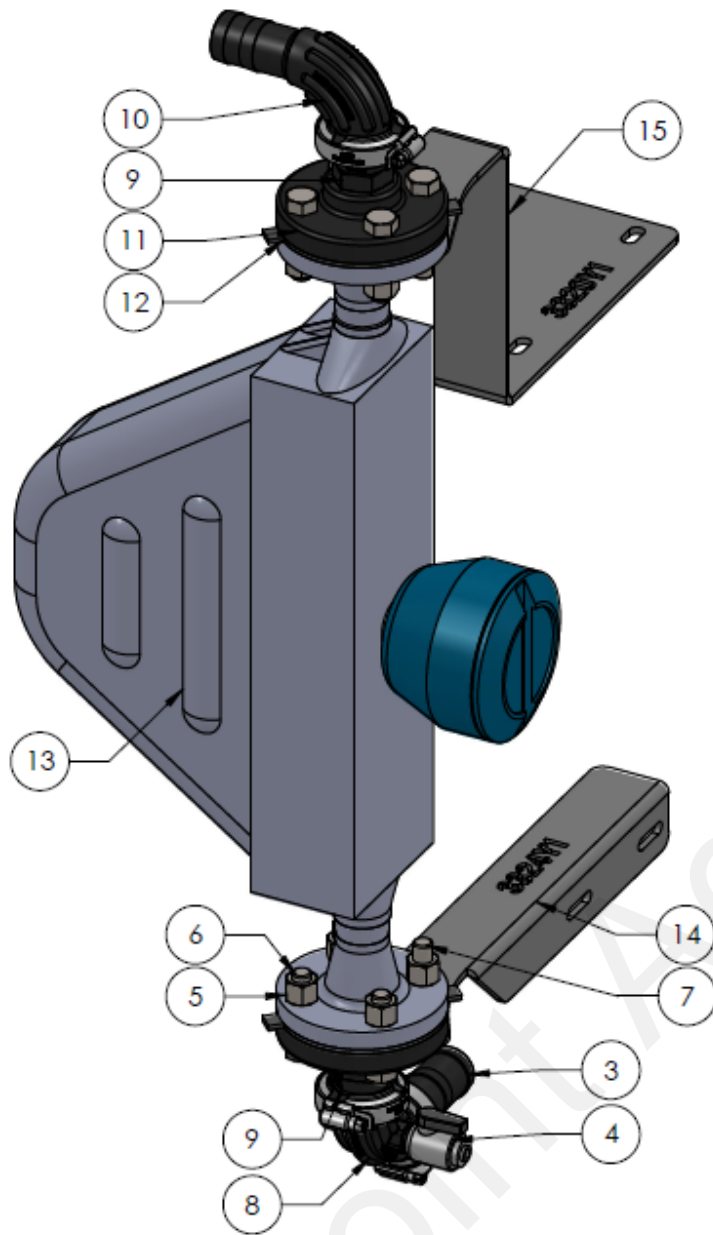


ITEM NO.	PART NUMBER	DESCRIPTION	QTY.
1	113-52-025025	Valve - 1/4" QC x 1/4" MPT	1
2	476-5116Y1	QuickDraw Lite Flow Switch Assembly	1
3	105-100125BRB	1" Manifold X 1 1/4" Hose Barb	1
4	109-100MLST-30	1" Manifold Tee Strainer - 30 Mesh	1
5	105-100MPT	1" Manifold X 1" MPT	2
6	105-100SWPG90	1" Manifold Sweep with 1/4" Gauge Port	1
7	105-100G	1" EPDM Manifold Gasket	4
8	204-01-4206Y1	Flomec Oval Gear Meter - 2.6 - 40 GPM - 1" FNPT	1
9	105-FC100	1" Manifold Clamp	4
10	105-200G-H	2" EPDM Manifold Gasket for 2" Full Port Manifold Fittings	1
11	105-FC220	2" Full Port Manifold Clamp	2
12	105-220100CPG	2" Full Port X 1" Reducer Coupler	1
13	105-220SWP90	2" Full Port 90° Sweep	1
14	102-050050LVMTV	1/2" MPT x 1/2" FPT Micro Valve	1
15	101-050050-90	1/2" MPT x 1/2" HB - 90 Degree	1



# Coriolis Mass Meter Assembly

QuickDraw Lite  
Models 604-050XXX



ITEM NO.	PART NUMBER	DESCRIPTION	QTY.
1	105-100G	1" EPDM Manifold Gasket	3
2	105-FC100	1" Manifold Clamp	3
3	105-100125BRB	1" Manifold X 1 1/4" Hose Barb	1
4	113-52-025025	Valve - 1/4" QC x 1/4" MPT	1
5	321-08	1/2" Nylock Nut	8
6	300-080200-5	1/2" x 2" Hex Head Bolt - G5	4
7	300-080208-5	1/2" x 2-1/2" Hex Head Bolt - G5	4
8	105-100SWPG90	1" Manifold Sweep with 1/4" Gauge Port	1
9	105-100MPT	1" Manifold X 1" MPT	2
10	105-100125BRBSWP90	1" Manifold X 1 1/4" Hose Barb Sweep - 90 Degree	1
11	100-100AF	1" Female Threaded ANSI Flange	2
12	100-100AFG	1" FPT x ANSI Flange	2
13	204-01-R100S	QuickDraw Coriolis Flow Meter	1
14	475-3324Y1	QD Lite Lower Coriolis Mounting Bracket	1
15	475-3320Y1	QD Lite Upper Coriolis Mounting Bracket	1

# Coriolis Mass Meter - Power Conditioner

## 208-05-2643Y1

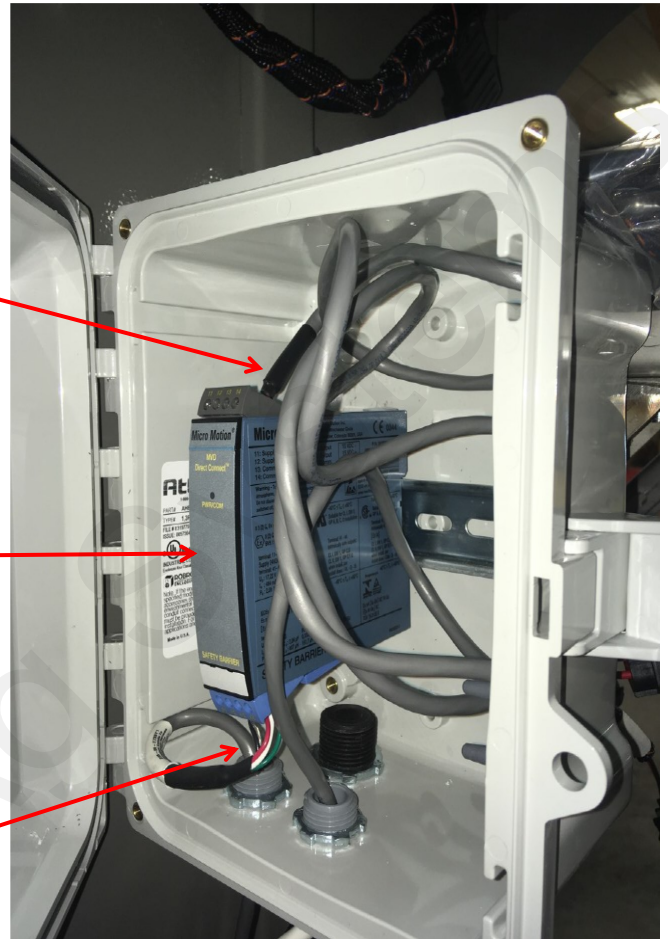
QuickDraw Lite Harness to Coriolis Power Conditioner

## 208-05-2981Y1

QuickDraw Lite Power Conditioner

## 208-05-2733Y1

QuickDraw Lite Coriolis to Power Conditioner Harness



### Troubleshooting:

*Front Red light should be ON.*

#### Top (gray) terminal block:

- Power from QD Controller
- Red to Black 24 volts

#### Bottom (blue) terminal block:

- Power to the Mass Meter
- Red to Black 14 to 15 volts



# Water Flowmeter

## QuickDraw Lite

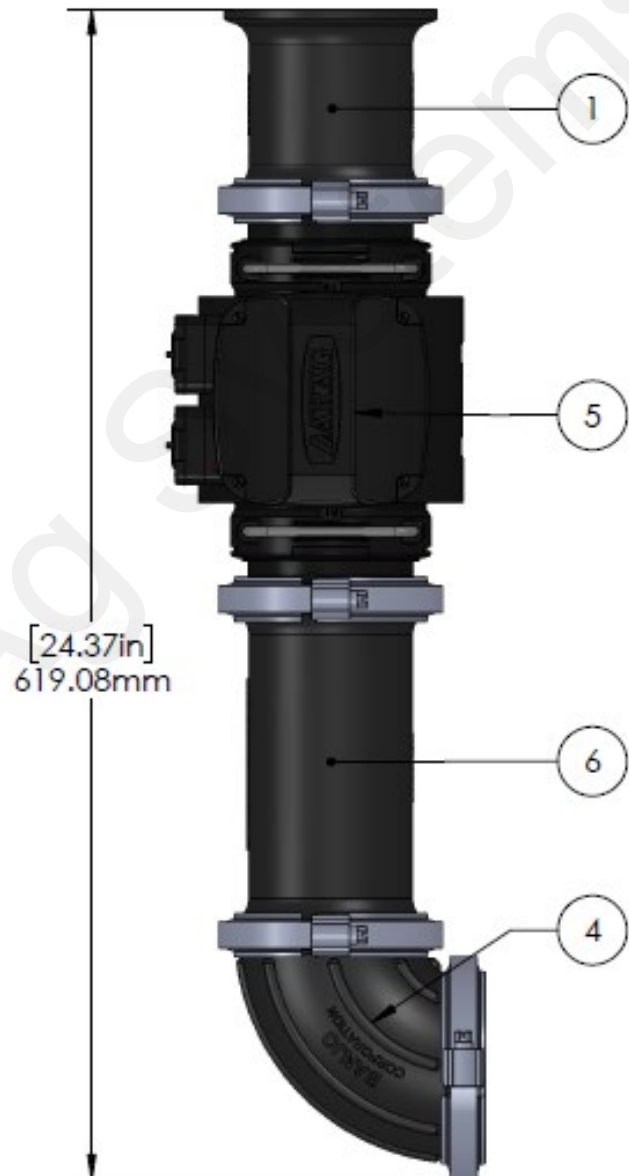


**204-01-46299A91**  
**3" Arag E-Mag Flowmeter**  
**(16-660 GPM)**

*QuickDraw Calibration:*  
*91 pulses/gallon*

	OFF	The flowmeter is not powered.
	GREEN BLINKING	The flowmeter is waiting to acquire an address on the CAN line to which it is connected.
	GREEN STEADY ON	Presence of STILL liquid inside the flowmeter.
	BLUE STEADY ON	The flowmeter is reading the passage of the liquid inside.
	VIOLET STEADY ON	No liquid has been detected inside the flowmeter.
	WHITE STEADY ON	Cleaning of the reading electrodes in progress.
	RED BLINKING	RED: Error. The error codes are indicated through blinks, which are described in the table below.
	RED STEADY ON	SEVERE ERROR: Contact a service center.

See QuickDraw Lite Manual 396-4507Y1 for full troubleshooting and error codes

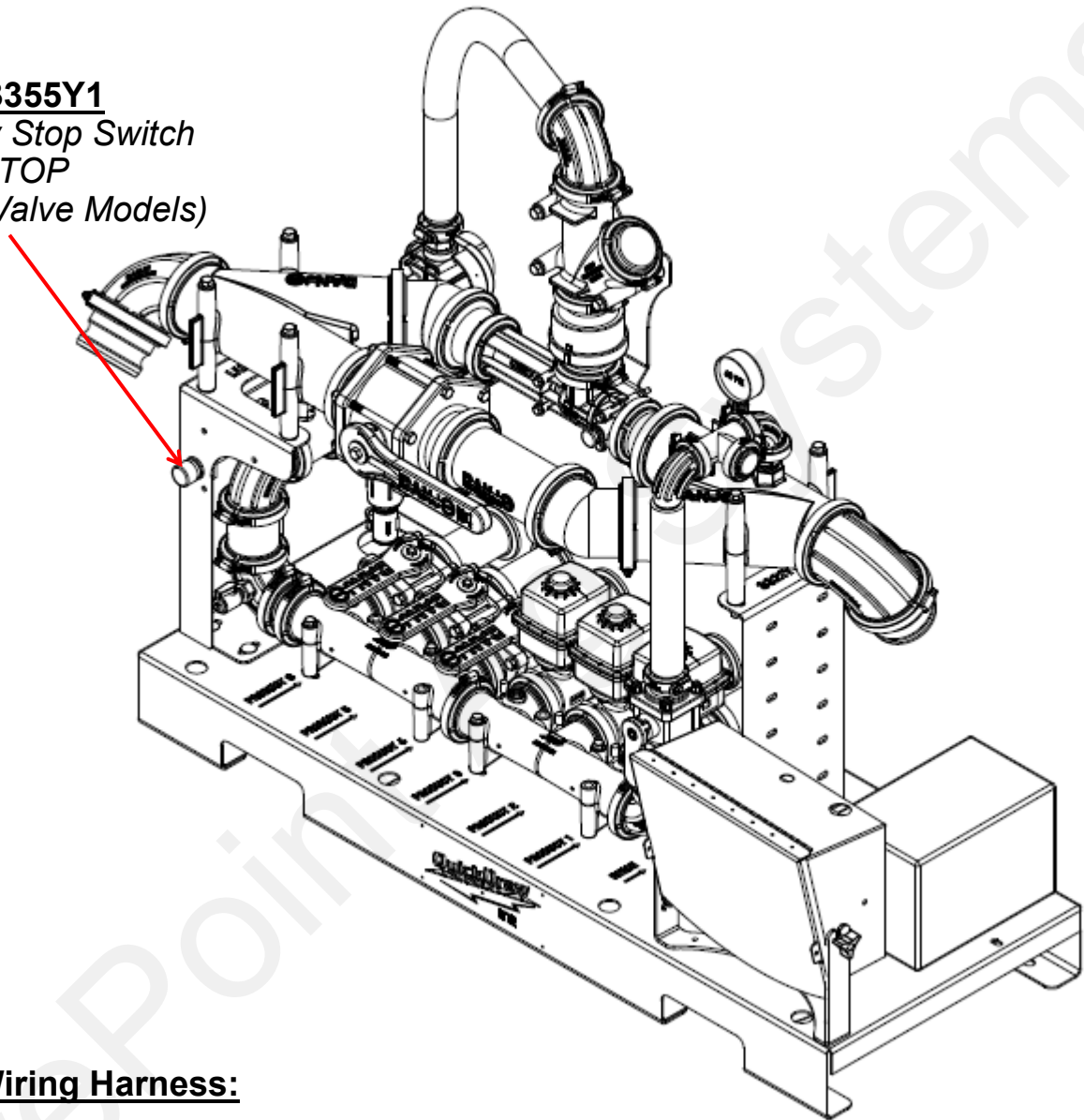


Item No.	Part Number	Description	Qty
1	100-300CPG	3" Manifold Coupling	1
2	105-300G	3" EPDM Manifold Gasket	4
3	105-FC300	3" Manifold Clamp	4
4	105-300SWP90	3" Manifold Sweep - 90 Degree	1
5	204-01-46299A91	3" ARAG Water Flowmeter (16-660 GPM)	1
6	105-300CPG7	3" Manifold Coupling - 7" Long	1

# Electronic Components

## QuickDraw Lite: All Models

**217-3355Y1**  
*Emergency Stop Switch  
ESTOP  
(Automatic Valve Models)*



### Required Wiring Harness:

**208-05-3360Y2** - QuickDraw Lite Main Wiring Harness

**208-05-3361Y1** - QuickDraw Lite E-Stop Harness (Automatic Valve Models)

### Add-On Wiring Harnesses:

**206-03-13206** - 3-Pin 10' MP Extension Cable (604-200100)

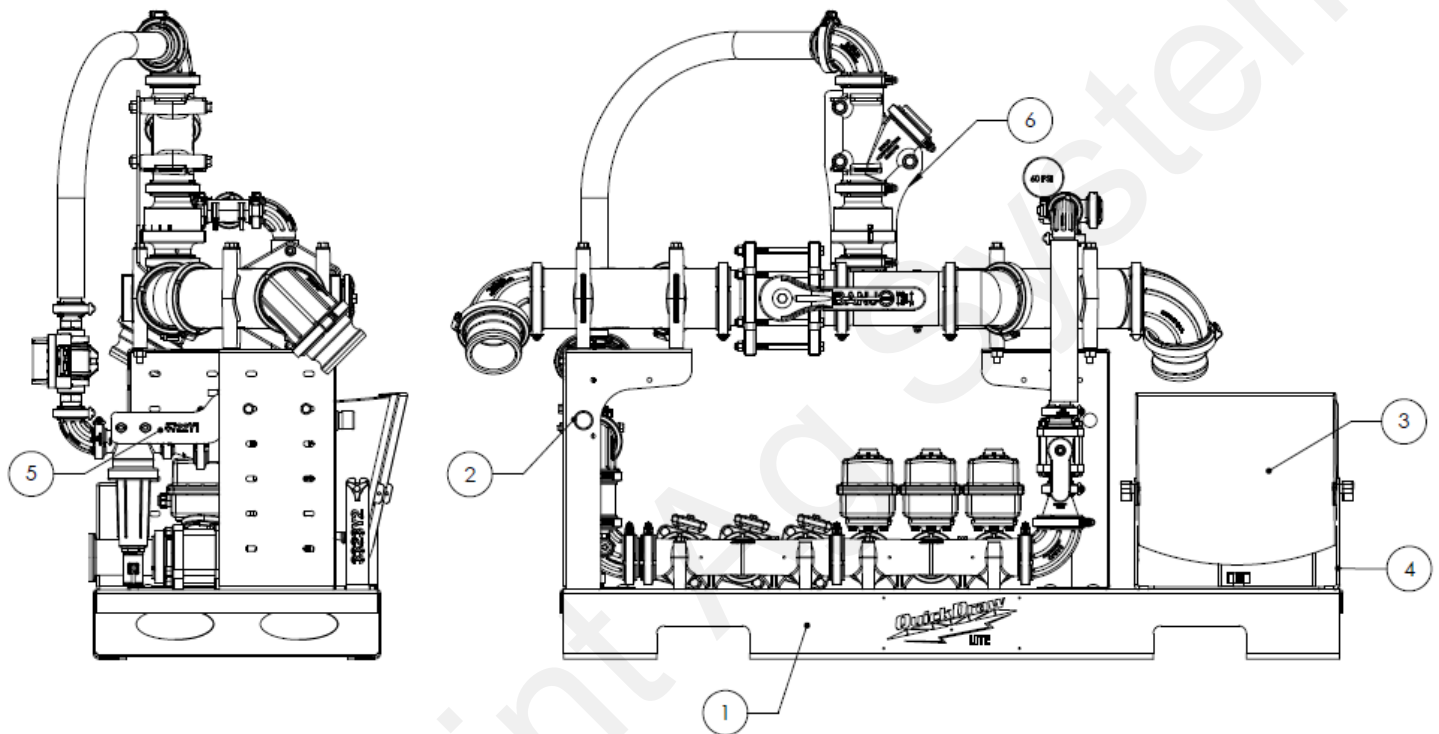
**201-17842** - Adapter Cable - AMP Superseal to MT Controller (604-200100)

**208-05-3362Y1** - QuickDraw Lite Motor Stop Adapter (604-200300)

**208-05-2414Y1** - QuickDraw Pump Stop Wiring Harness Set (604-200300)

# QuickDraw Lite Metal Components

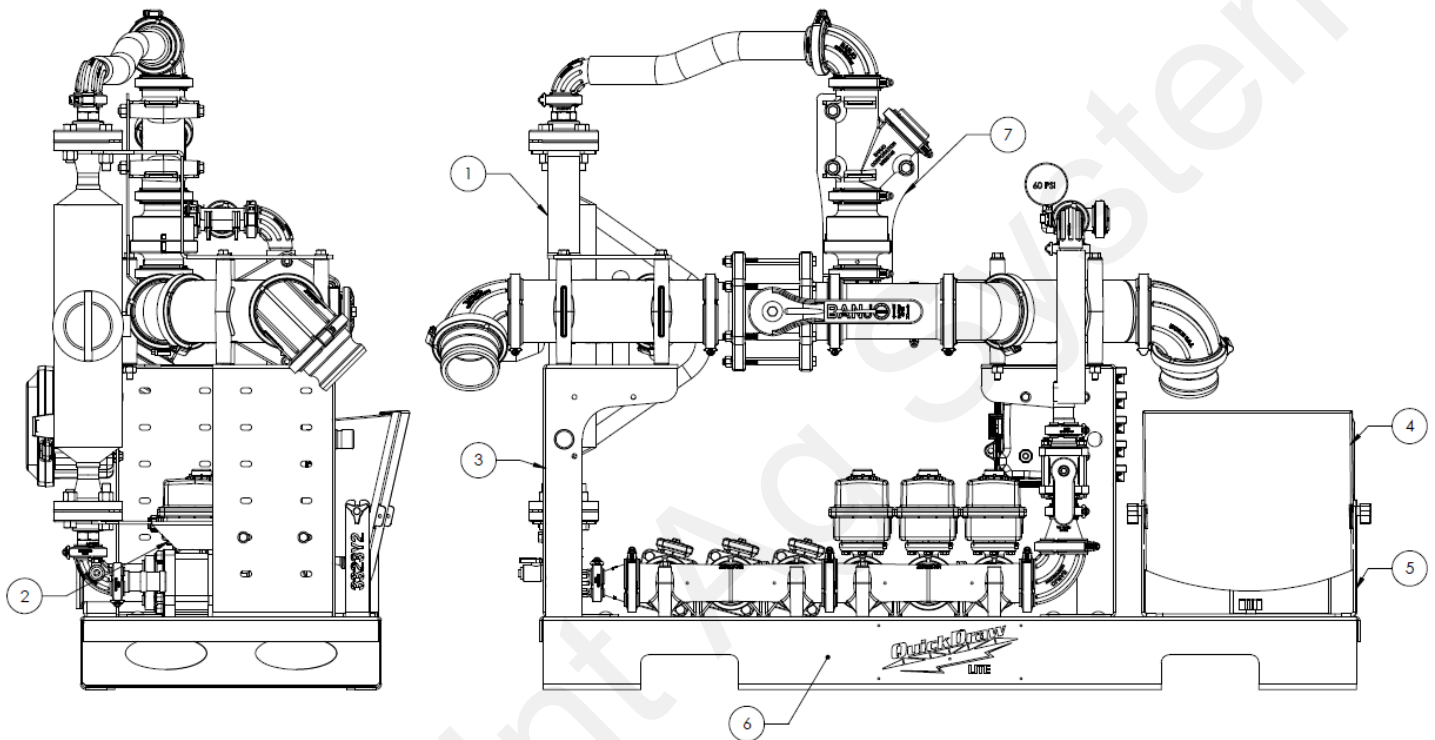
## QuickDraw Lite Oval Gear Meter Models



Item No	Part Number	Description	Quantity
1	475-5736Y1	QuickDraw Lite Base Assembly	1
2	475-3321Y1-GY	QuickDraw Lite Plumbing Assembly Mount	2
3	473-3823Y1-SS	Hinged Controller Shield	1
4	475-3323Y1-RV	QuickDraw Lite Controller Mount Base	1
5	475-5722Y1-SS	QuickDraw Lite Gear Meter Strainer Support Bracket	1
6	475-5751Y1-SS	QuickDraw Venturi Support Bracket	1

# QuickDraw Lite Metal Components

## QuickDraw Lite Coriolis Mass Meter Models



Item No	Part Number	Description	Quantity
1	475-3320Y1-GY	QuickDraw Lite Upper Coriolis Mounting Bracket	1
2	475-3324Y1-GY	QuickDraw Lite Lower Coriolis Mounting Bracket	1
3	475-3321Y1-GY	QuickDraw Lite Plumbing Assembly Mount	2
4	473-3823Y1-SS	Hinged Controller Shield	1
5	475-3323Y1-RV	QuickDraw Lite Controller Mount Base	1
6	475-5736Y1	QuickDraw Lite Base Assembly	1
7	475-5751Y1-SS	QuickDraw Venturi Support Bracket	1