

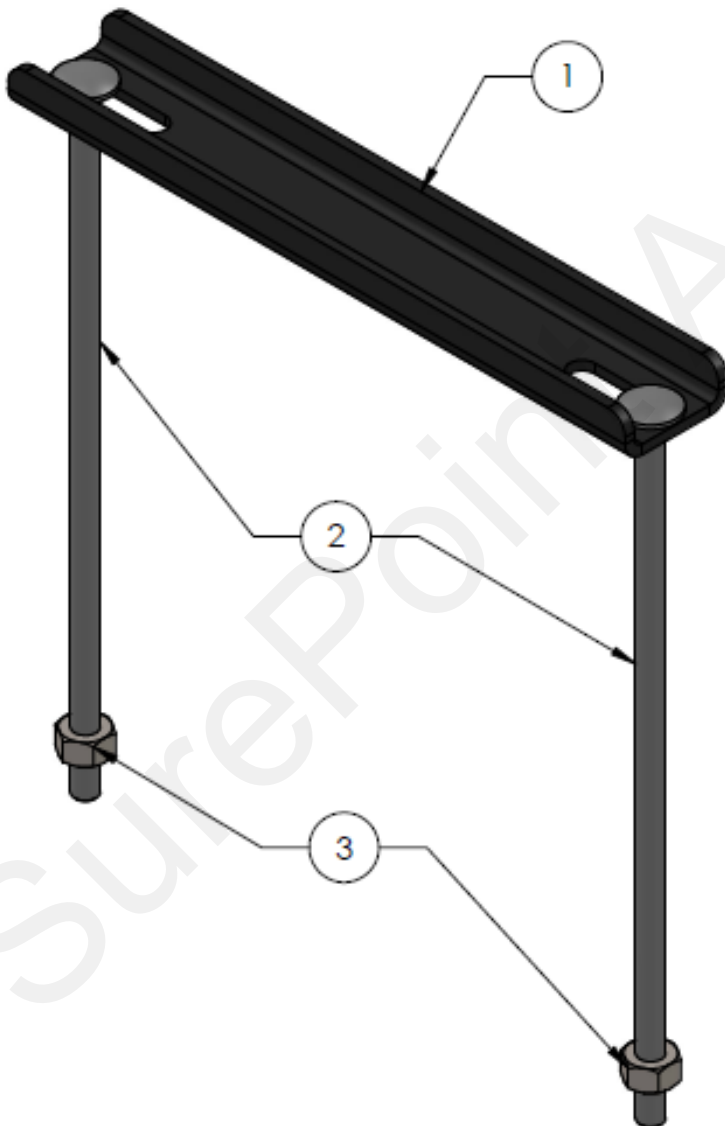


396-5723Y1

QuickDraw Battery Tie-Down Installation Instructions

BOM Description: QuickDraw Battery Tie-Down Kit
BOM Number: 476-5724Y1

ITEM NO.	PART NO.	DESCRIPTION	QTY.
1	475-5488Y1	QuickDraw Battery Hold Down	1
2	304-050900-2	Carriage Bolt - 5/16" x 9" G2	2
3	321-05-F	5/16" Nylon Flange Nut	2



1. Place the battery on the QuickDraw battery tray in the orientation shown above.
2. Place the Battery Hold Down strap on top of your battery. Using the provided carriage bolts and nuts, fasten the battery onto the battery tray.
3. Be sure to not over-tighten the hardware and damage the battery casing. SurePoint Ag Systems is not liable for damaged batteries due to over-tightened hardware.
4. There may be excess bolt thread after installation. If desired, you may cut the excess bolt thread from the tie-down kit to leave more room under the battery tray.