

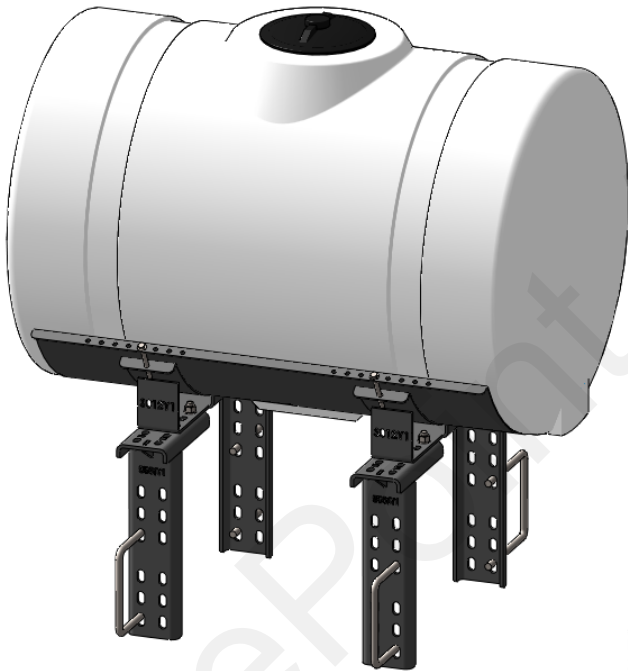


396-5568Y1

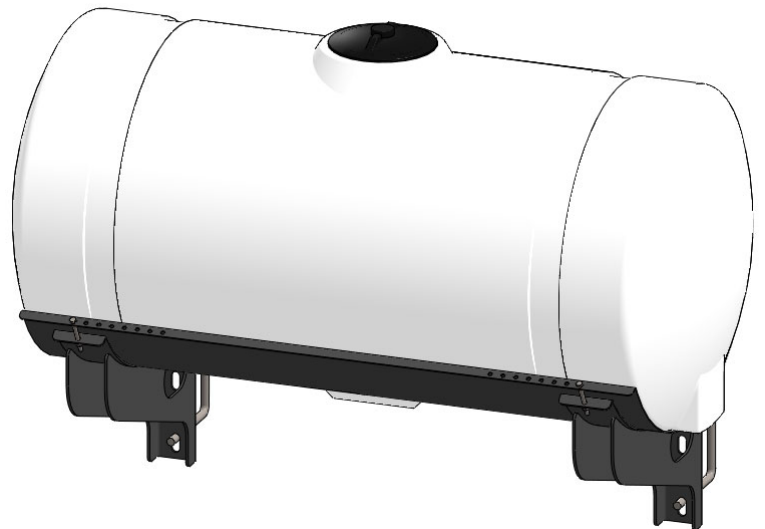
Kinze 3000/3005 Tank Mounting Instructions

Planter Manufacturer: **KINZE**

- Kit Number: 530-02-210100 (Single Frame Non-Split Row 150 Gal.)
- Kit Number: 530-02-210200 (Double Frame Split Row 150 Gal.)
- Kit Number: 530-02-210300 (Single Frame Non-Split Row 150 Gal.)
- Kit Number: 530-02-210400 (Double Frame Split Row 100 Gal.)



150 Gal. Double Frame

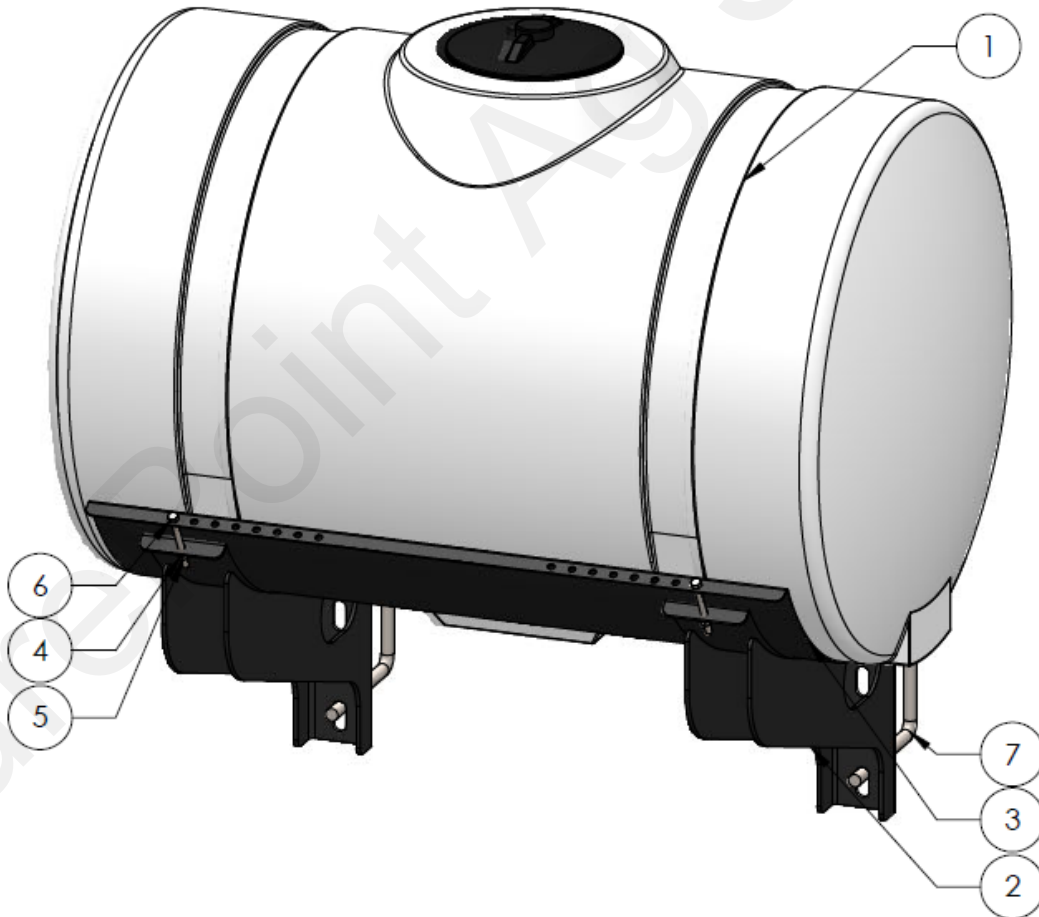


200 Gal. Single Frame



Parts List and Exploded View 530-03-210100

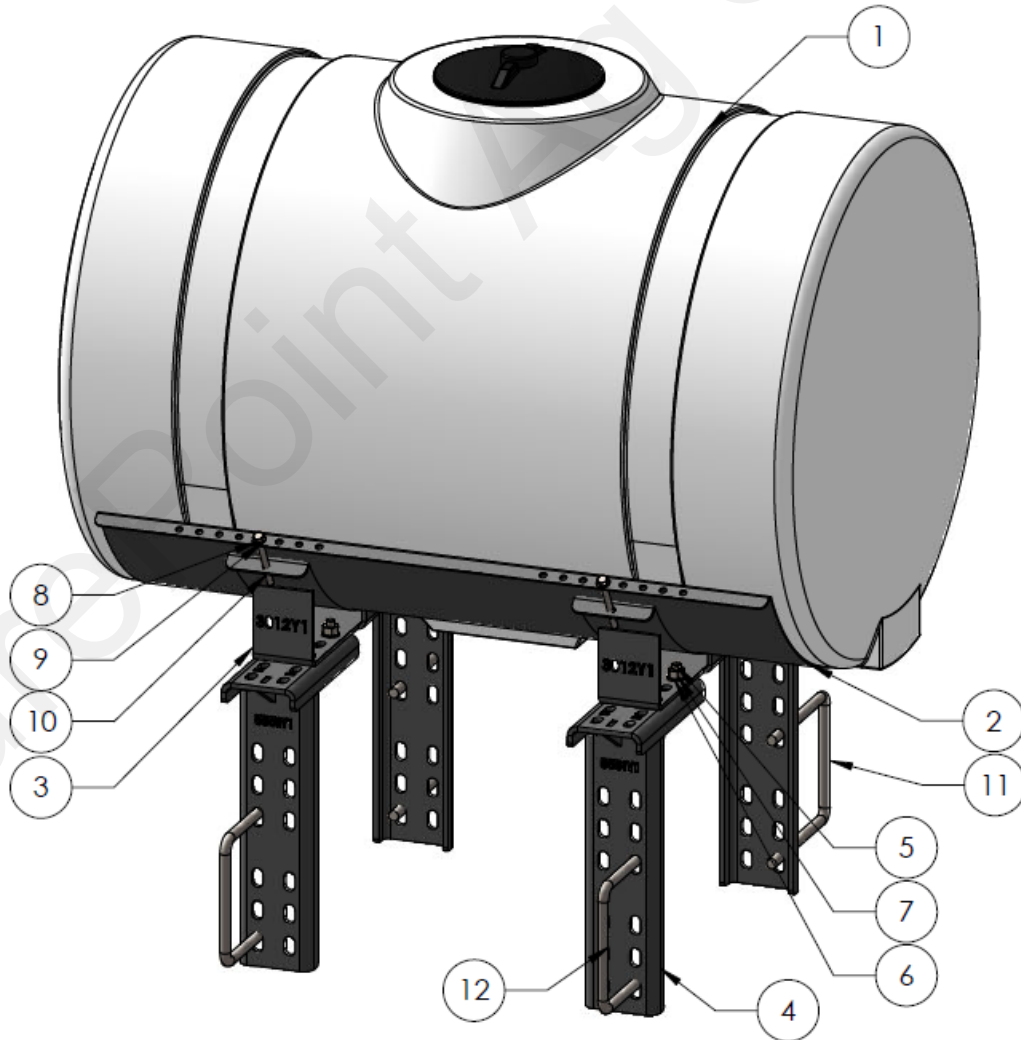
| ITEM NO. | PART NUMBER | DESCRIPTION | QTY. |
|----------|--------------------|---|------|
| 1 | 727-02-HZ0150-32-W | Horizontal Tank - 150 Gal - White - 32" x 52" | 2 |
| 2 | 420-3032Y1 | Offset Bar Mount Saddle for 32"Ø Tank | 4 |
| 3 | 420-3003Y1 | 150 Gallon Round - 32"Ø - Tank Support Sheet | 2 |
| 4 | 330-06 | 3/8" Flat Washer | 8 |
| 5 | 321-06 | 3/8" Nylock Nut | 8 |
| 6 | 300-060400-5 | 3/8" x 4" HCS G5 | 8 |
| 7 | 380-1060 | 3/4" U-bolt Kit - fits 7" x 7" tube (7" opening) | 4 |
| 8 | 525-2055 | 2" Strap Kit for Tanks under 300 Gallon | 4 |





Parts List and Exploded View 530-03-210200 (No Markers)

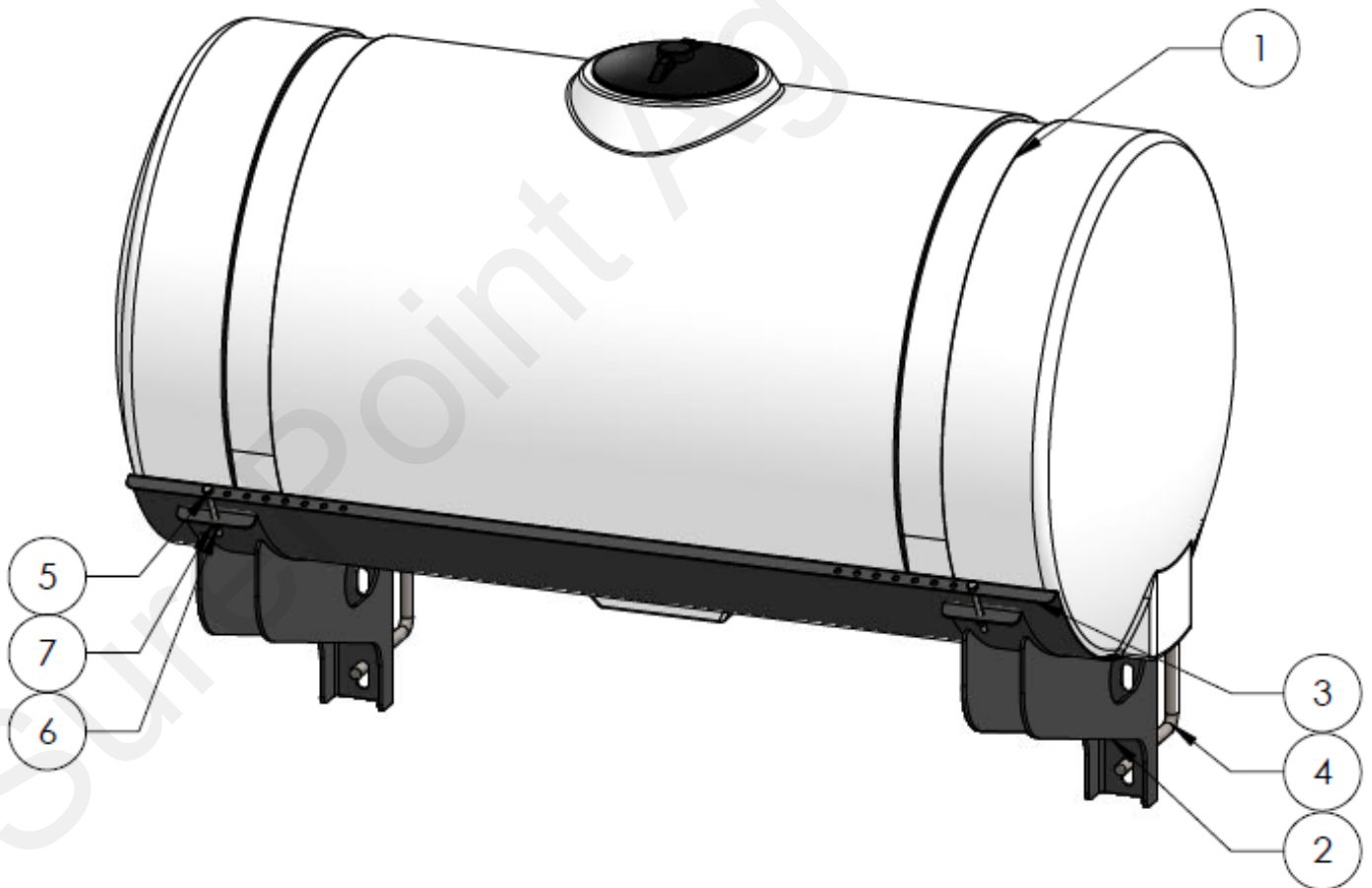
| ITEM NO. | PART NUMBER | DESCRIPTION | QTY. |
|----------|--------------------|---|------|
| 1 | 727-02-HZ0150-32-W | Horizontal Tank - 150 Gal - White - 32" x 52" | 2 |
| 2 | 420-3003Y1 | 150 Gallon Round - 32"Ø - Tank Support Sheet | 2 |
| 3 | 420-3012Y1 | 32"Ø Tank Saddle | 4 |
| 4 | 420-5551Y1 | Split H-Style Tank Mounting Bracket | 8 |
| 5 | 300-080108-5 | 1/2" x 1-1/2" Hex Head Bolt - G5 | 32 |
| 6 | 330-08 | 1/2" Flat Washer | 32 |
| 7 | 323-08 | 1/2" Flange Nut | 32 |
| 8 | 300-060400-5 | 3/8" x 4" Hex Head Bolt - G5 | 8 |
| 9 | 330-06 | 3/8" Flat Washer | 16 |
| 10 | 321-06 | 3/8" Nylock Nut | 8 |
| 11 | 380-1040 | 5/8" U-bolt Kit - fits 7" x 7" tube - (7" opening) | 4 |
| 12 | 380-1045 | 5/8" U-Bolt Kit - fits 7" x 5" tube (7" opening) | 4 |
| 13 | 525-2055 | 2" Strap Kit for Tanks under 300 Gallon | 4 |





Parts List and Exploded View 530-03-210300

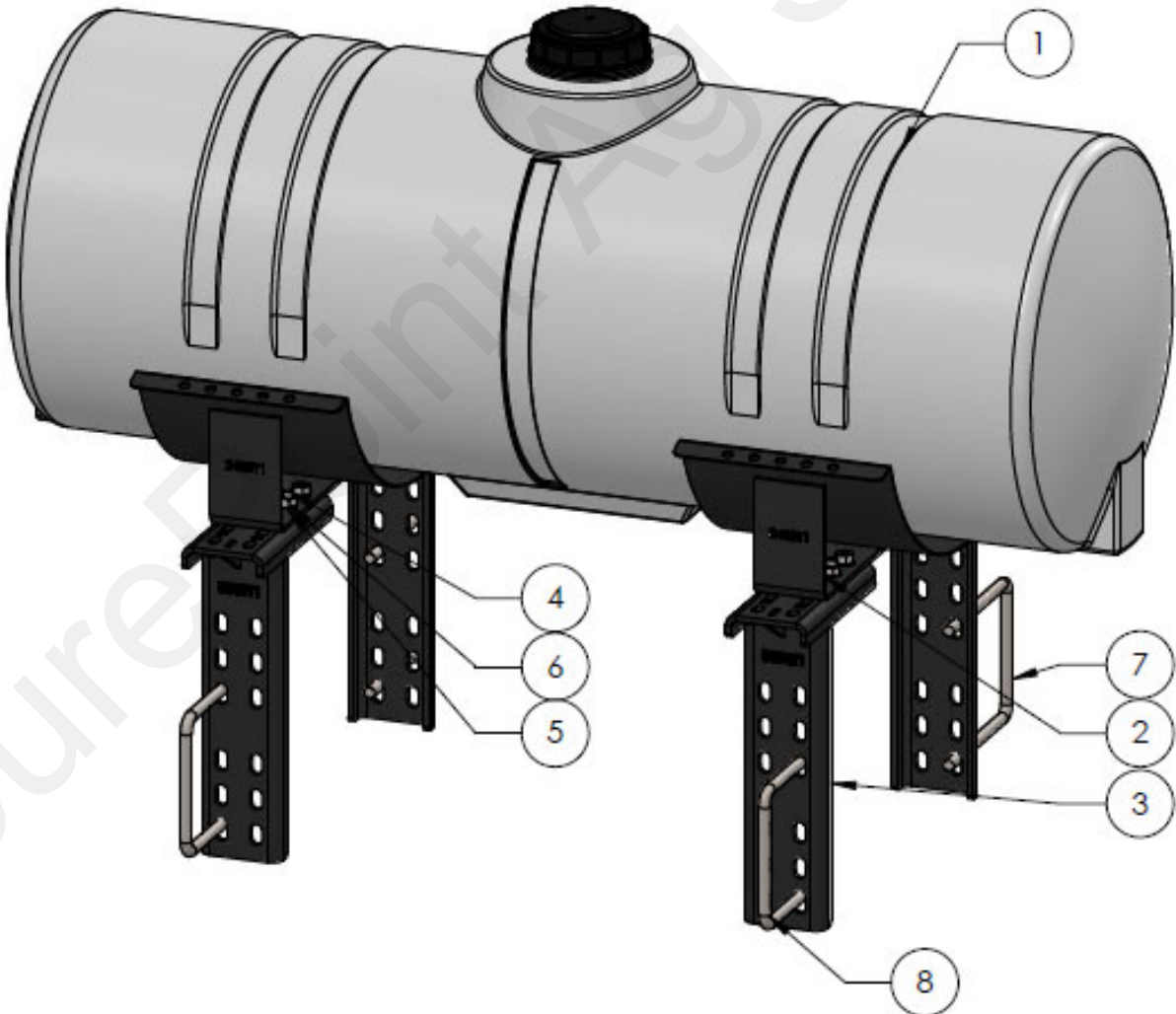
| ITEM NO. | PART NUMBER | DESCRIPTION | QTY. |
|----------|--------------------|---|------|
| 1 | 727-02-HZ0200-32-W | Horizontal Tank - 200 Gal - White - 32" x 68" | 2 |
| 2 | 420-3032Y1 | Offset Bar Mount Saddle for 32"Ø Tank | 4 |
| 3 | 420-3002Y1 | 200 Gallon Round Tank Support Sheet | 2 |
| 4 | 380-1060 | 3/4" U-bolt Kit - fits 7" x 7" tube (7" opening) | 4 |
| 5 | 300-060400-5 | 3/8" x 4" HCS G5 | 8 |
| 6 | 321-06 | 3/8" Nylock Nut | 8 |
| 7 | 330-06 | 3/8" Flat Washer | 8 |
| 8 | 525-2055 | 2" Strap Kit for Tanks under 300 Gallon | 4 |





Parts List and Exploded View 530-03-210400 (Use With Markers)

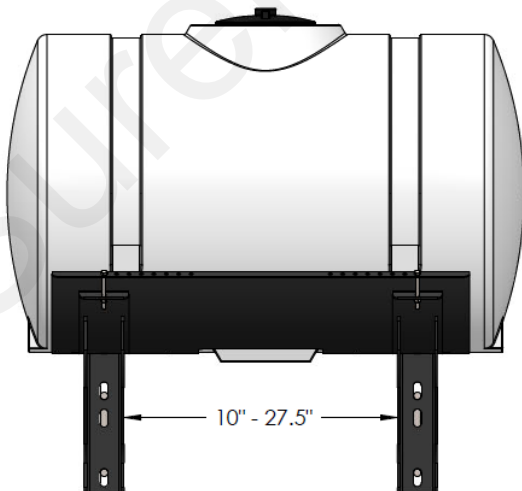
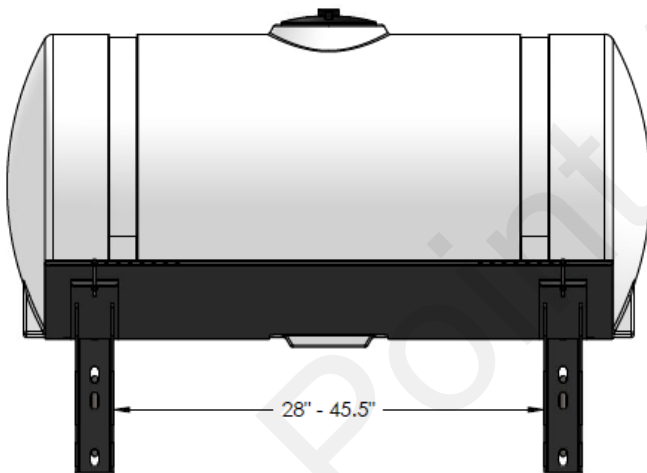
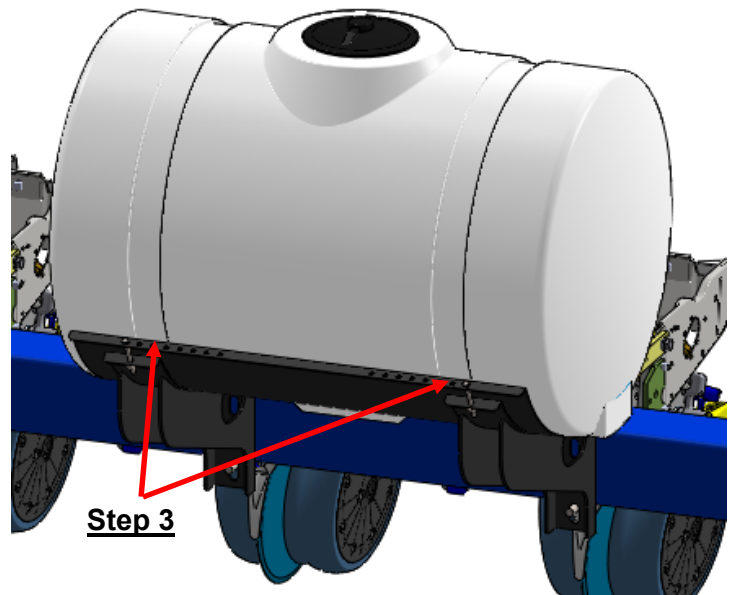
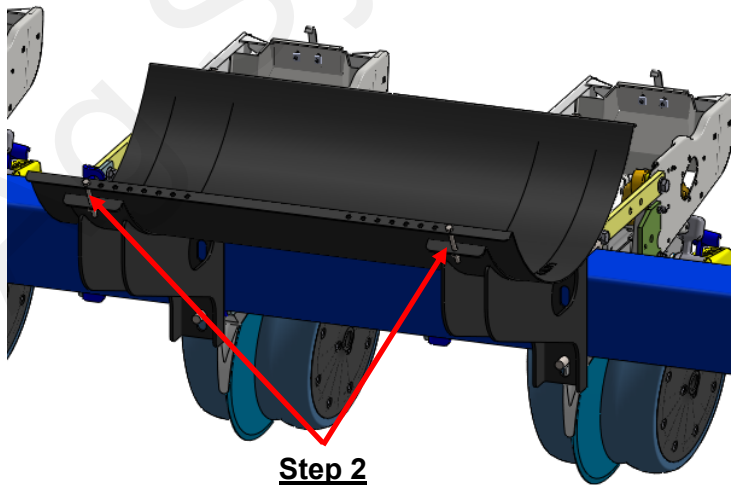
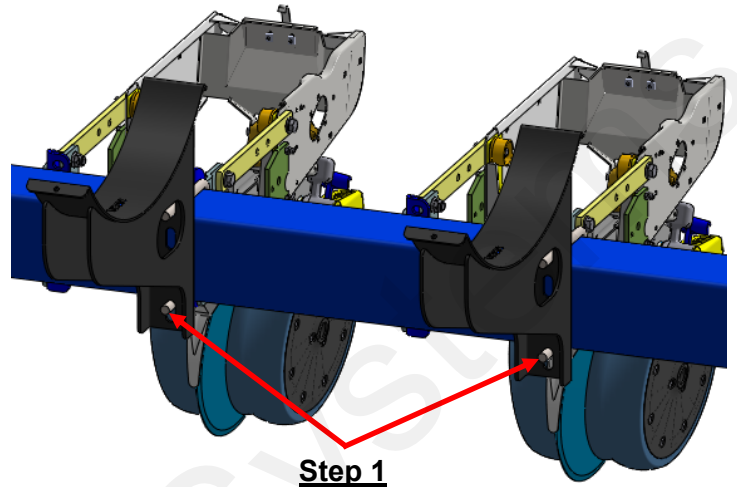
| ITEM NO. | PART NUMBER | DESCRIPTION | QTY. |
|----------|--------------------|--|------|
| 1 | 727-02-HZ0100-23-W | Horizontal Tank - 100 Gallon - 23" - White | 2 |
| 2 | 420-2483Y1 | 23" Round Tank Saddle | 4 |
| 3 | 420-5551Y1 | Split H-Style Tank Mounting Bracket | 8 |
| 4 | 300-080108-5 | 1/2" x 1-1/2" Hex Head Bolt - G5 | 32 |
| 5 | 330-08 | 1/2" Flat Washer | 32 |
| 6 | 323-08 | 1/2" Flange Nut | 32 |
| 7 | 380-1040 | 5/8" U-bolt Kit - fits 7" x 7" tube - (7" opening) | 4 |
| 8 | 380-1045 | 5/8" U-Bolt Kit - fits 7" x 5" tube (7" opening) | 4 |
| 9 | 525-2055 | 2" Strap Kit for Tanks under 300 Gallon | 4 |





Step by Step Instructions Single Frame Planters

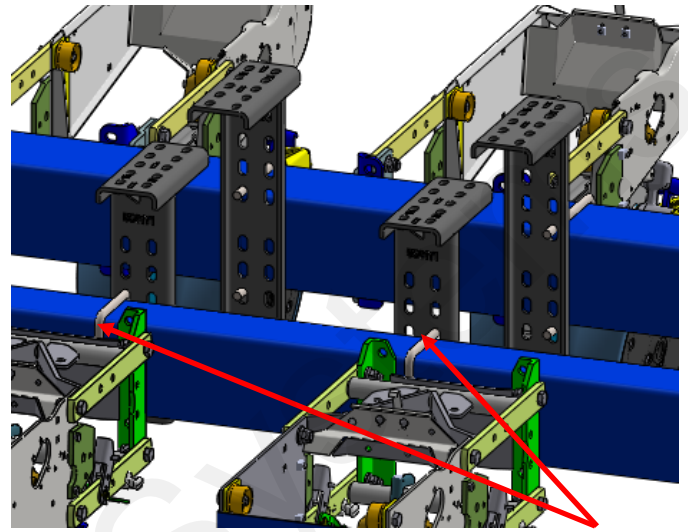
1. Using the provided U-Bolts, loosely bolt the tank mounting saddles to the toolbar. Note that the saddles can be mounted anywhere from 10" to 27.5" apart on the 150 gallon kit and 28" to 45.5" on the 200 gallon kit.
2. Place the tank support sheet onto the saddles. Using the provided 3/8" hardware, loosely fasten the support sheet to the saddles.
3. Place the tank onto the support sheet. Using the tank straps, fasten the tank to the support sheet.
4. Tighten the U-Bolts, followed by the 3/8" support sheet hardware.
5. Tighten the tank straps after first filling to ensure tank is securely fastened to the support sheet.



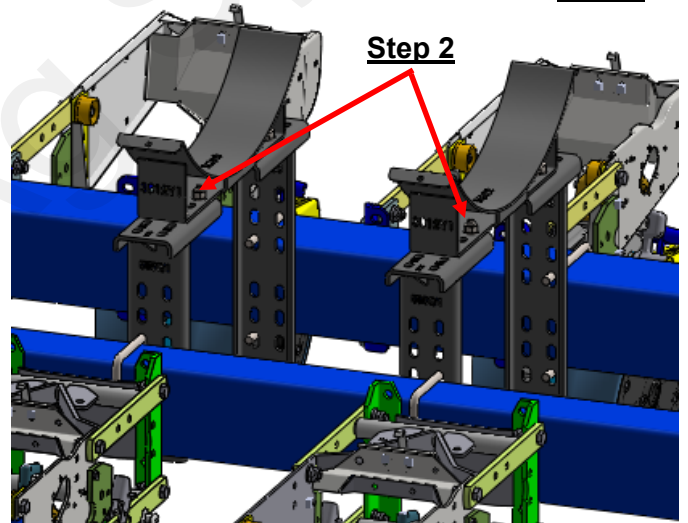
Step by Step Instructions

Double Frame Planters

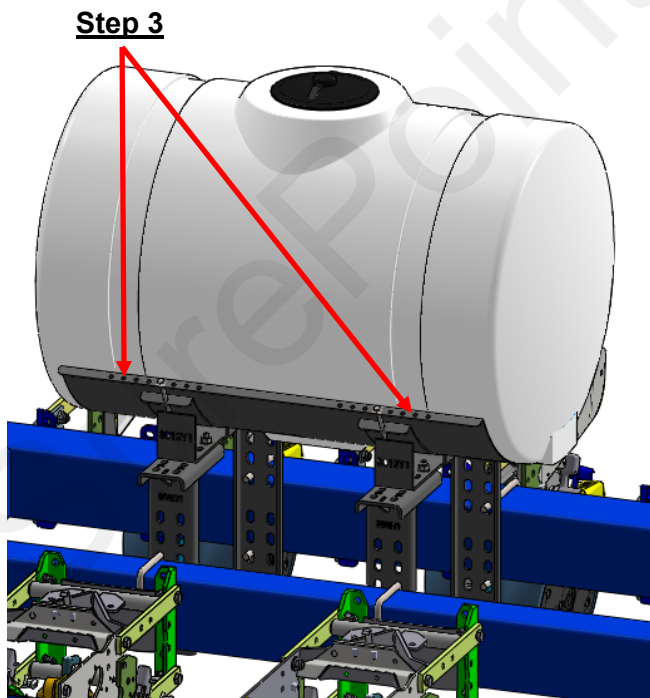
1. Using the provided U-Bolts, loosely bolt the Split H-Style mounting brackets to both toolbars. The Split H-Style mounting brackets provide adjustability up and down, as well as adjustability from a 12" to 26.5" footprint on the 150 Gallon Tanks and 21" to 37" on the 100 Gallon Tanks.
2. Place the tank saddles on the brackets and loosely fasten them using the provided 1/2" hardware. Adjust the tank forward or backward to fit your application.
3. Place the support sheet onto the saddles. Using the provided 3/8" hardware, loosely fasten the support sheet to the saddles.
4. Place the tank onto the support sheet. Using the tank straps, fasten the tank to the support sheet.
5. Tighten the U-Bolts, followed by the 3/8" support sheet hardware.
6. Tighten the tank straps after first filling to ensure tank is securely fastened to the support sheet.



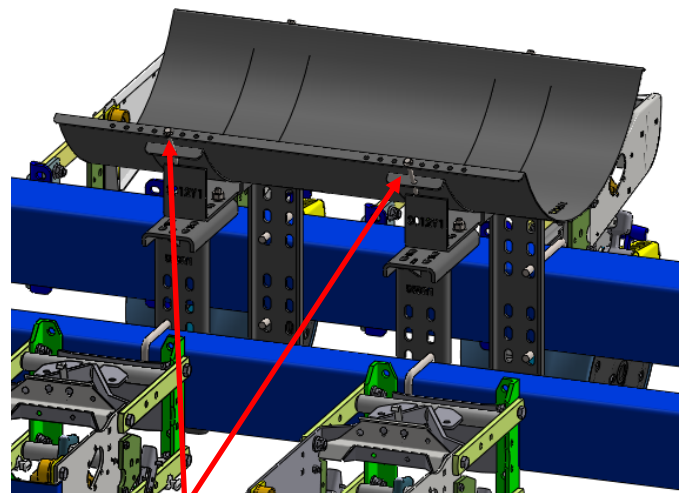
Step 1



Step 2



Step 3



Step 3

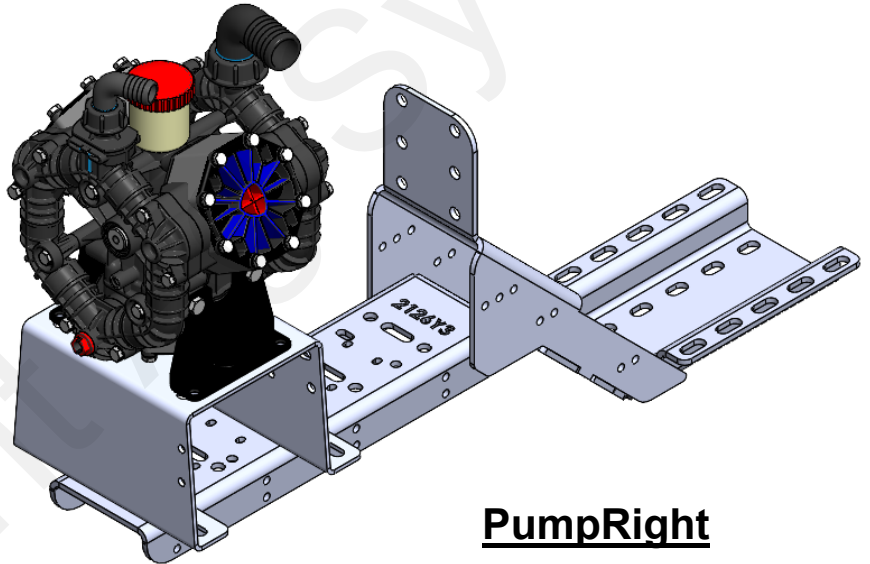


Pump Mounting Kit for Kinze 3000/3005

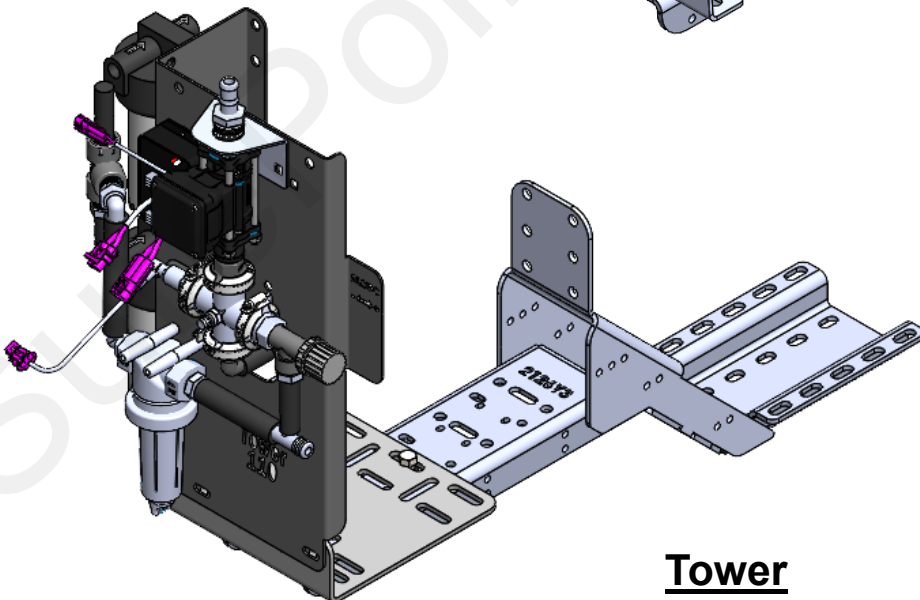
Kit Description: Between Row Mount Kit for Up to 7x7 Bar
Kit Number: 515-03-201600

| ITEM NO. | PART NUMBER | DESCRIPTION | QTY. |
|----------|---------------|--|------|
| 1 | 400-2126Y3-BK | Between Row Mounting Bracket | 1 |
| 2 | 300-080108-5 | 1/2" x 1-1/2" Hex Head Bolt - G5 | 4 |
| 3 | 323-08 | 1/2" Flange Nut | 4 |
| 4 | U-Bolt | 1/2" U-Bolt Kit (380-1014 or 380-1001) | 2 |

1. Mount bracket to the bar using the 380-1014 U-Bolts on double frame planters and 380-1001 for single frame planters. Mount to the front toolbar on double frame planters, and mount to the main toolbar on single frame planters.
2. Place your pump onto the bracket, use the 1/2" bolts and nuts to fasten it to the bracket.
3. Check around the bracket and pump for obstructions into the rows. Tighten bolts and U-Bolts.



PumpRight



Tower