



396-5479Y1

Fendt Momentum

Kit Installation Instructions

Planter Manufacturer:

FENDT



Table of Contents:

- 515-03-250100 - Pump Mounting Bracket**
- 530-04-200200 - Dual 200 Gallon Saddle Tank Kit**
- 530-04-200250 - Dual 250 Gallon Saddle Tank Kit**
- 520-00-400750 - 200 / 250 Gal Cutaway Tank Sight Tube Kit**
- 520-00-500110 - Saddle Mount Tank Fill / Discharge Kit**
- 515-03-300100 - Sentinel Mounting Bracket Kit**
- 515-03-300200 - Flow Indicator Mounting Bracket Kit**



SurePoint Ag Systems Fertilizer Tank Safety and Warnings



SurePoint Ag Systems does not recommend transporting your implement with full fertilizer tanks. Doing so can result in damage to brackets and implement.



Remember to wear proper PPE (*Personal Protective Equipment*) when installing SurePoint Ag Systems fertilizer tank kits. Proper PPE includes gloves, foot and eye protection, and hearing protection.



SurePoint Ag Systems fertilizer application systems require winterization when not in use. Refer to your product manual for winterization procedures.

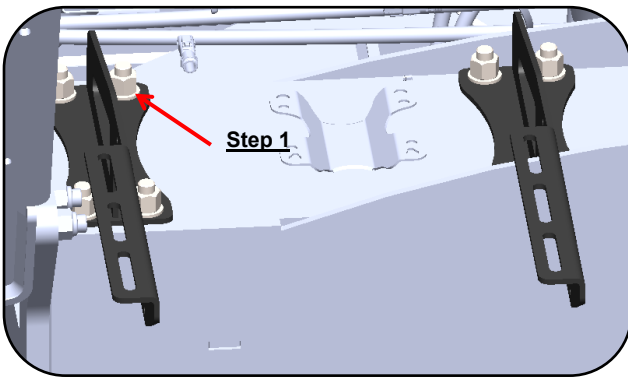
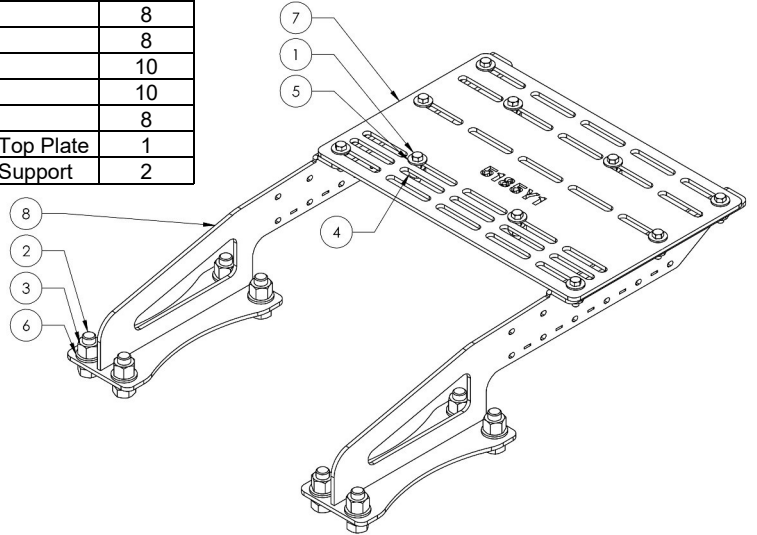
Failure to follow the above warnings can result in personal injury, damage to your SurePoint Ag Systems products, and damage to your implement.



Pump Mounting

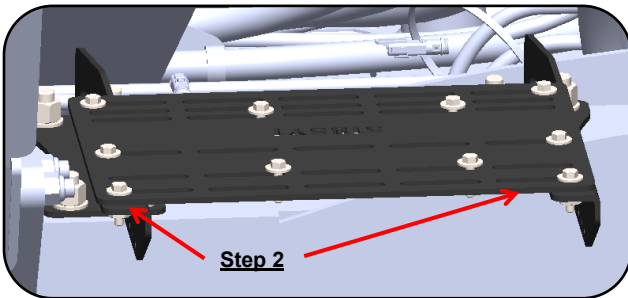
515-03-250100 - Pump Mounting Bracket

ITEM NO.	PART NUMBER	DESCRIPTION	QTY
1	300-080108-5	1/2" x 1-1/2" Hex Head Bolt - G5	10
2	300-100200-5	5/8" x 2" Hex Head Bolt - G5	8
3	321-10	5/8" Nylock Nut	8
4	323-08	1/2" Flange Nut	10
5	330-08	1/2" Flat Washer	10
6	330-10	5/8" Flat Washer	8
7	430-5185Y1-BK	Fendt Momentum Pump Mount Bracket - Top Plate	1
8	430-5187Y1-BK	Fendt Momentum Pump Mount Bracket - Support	2



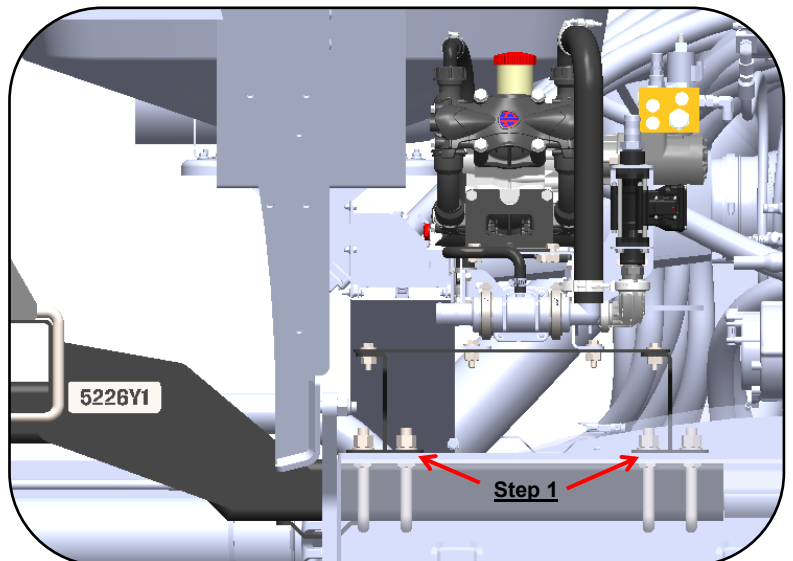
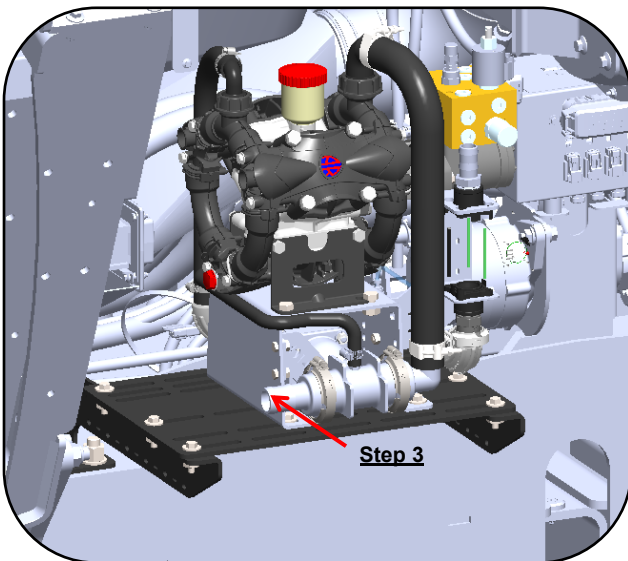
Installation Instruction (Without Saddle Tank):

1. On either side of the planter, mount the support bracket (430-5187Y1-BK) using the 5/8" hardware provided.
2. Mount the top plate (430-5185Y1-BK) to the supports using six (6) 1/2" hex head bolts, washers, and flange nuts.
3. Mount the pump on the top plate using four (4) 1/2" hex head bolts, washers, and flange nuts.



Installation Instructions (With SurePoint Saddle Tank):

1. On either side of the planter, mount the support bracket (430-5187Y1-BK) using the 5/8" u-bolts provided as part of the tank mounting kit. Loosely install the pump mounting bracket, slide the tank mounting bracket into place, then tighten nuts.
2. Mount the top plate (430-5185Y1-BK) to the supports using six (6) 1/2" hex head bolts, washers, and flange nuts.
3. Mount the pump on the top plate using four (4) 1/2" hex head bolts, washers, and flange nuts.



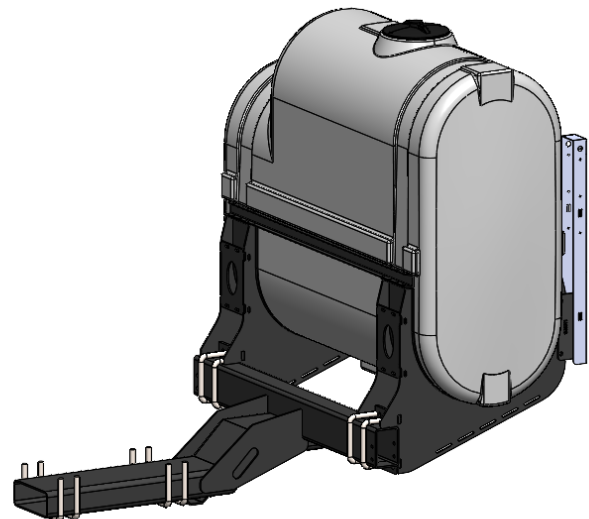
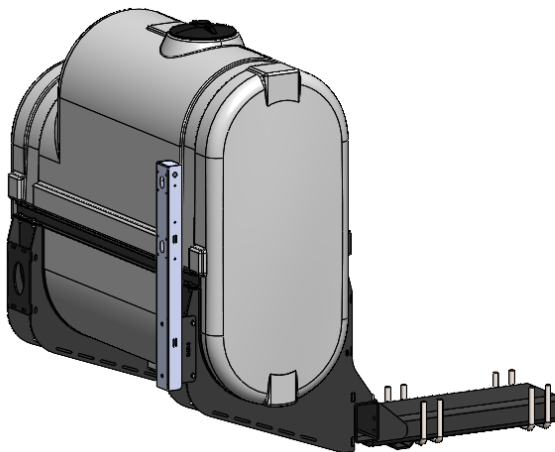
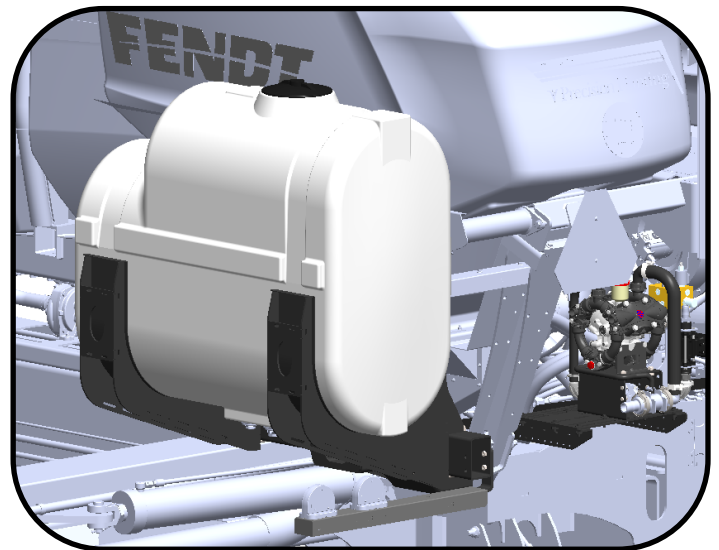
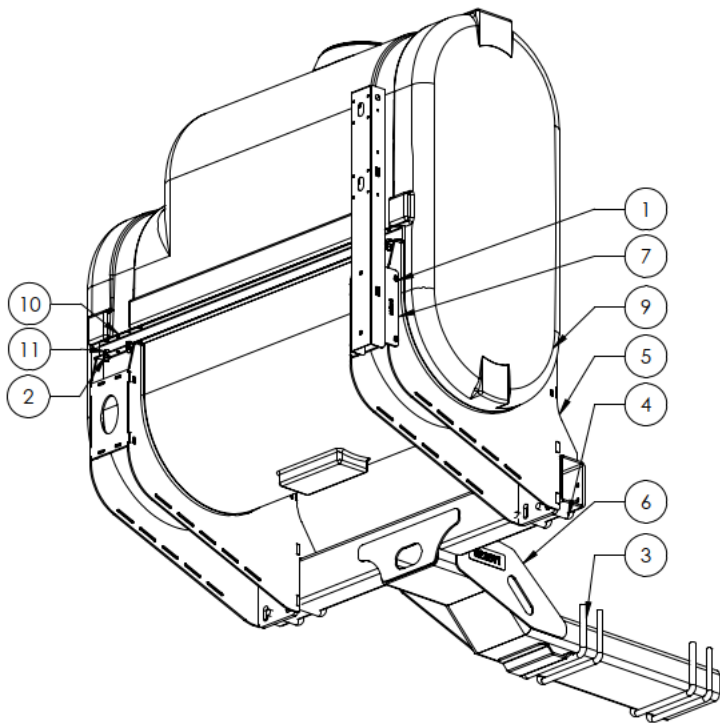


Tank Mounting

530-04-200200 - Dual 200 Gallon Saddle Tank Kit

530-04-200250 - Dual 250 Gallon Saddle Tank Kit

ITEM NO.	PART NUMBER	DESCRIPTION	QTY
1	300-060100-5	3/8" x 1" Hex Head Bolt - G5	4
2	323-06	3/8" Flange Nut	4
3	380-1047	5/8" U-Bolt Kit - fits 10" x 4" tube - (10" opening) includes flat & lock washers, nuts	8
4	380-1076	3/4" U-bolt Kit - fits 6" x 4" tube- (6" opening) includes flat & lock washer, nut	8
5	400-5080Y1-BK	Direct To Bar 200 Gallon Cutaway Tank Cradle	4
6	430-5226Y1-BK	Fendt Moment Saddle Tank Mount Bar	2
7	430-6410Y1-BK	Turn Signal Relocation Bracket	2
8	525-2055	2" Strap Kit for Tanks 300 Gal & Under	4
9a	727-08-CAW0200-24-W	White Sidemount Cutaway Tank - 200 Gallon	2
9b	727-08-CAW0250-24-W	White Sidemount Cutaway Tank - 250 Gallon	2
10	420-6623Y1-BK	250 Gallon Cutaway Tank Side Support Channel	4
11	307-060100-5	3/8" x 1" Flange Head Bolt - G5	16
10	206-00-5370Y1	Fendt Turn Signal Extension	2

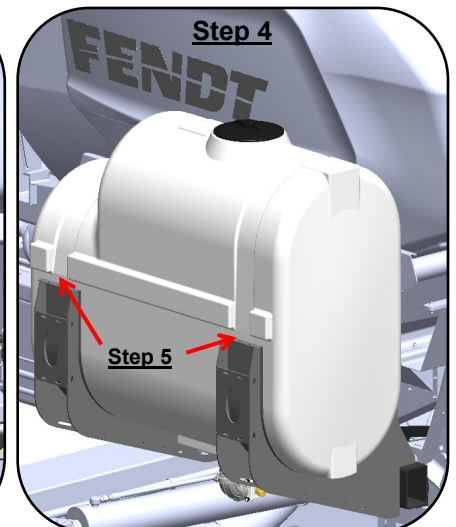
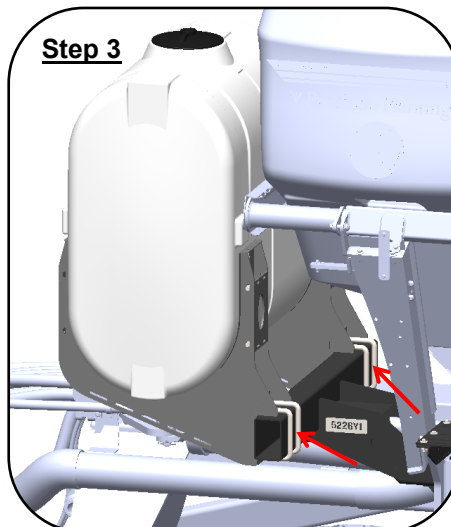
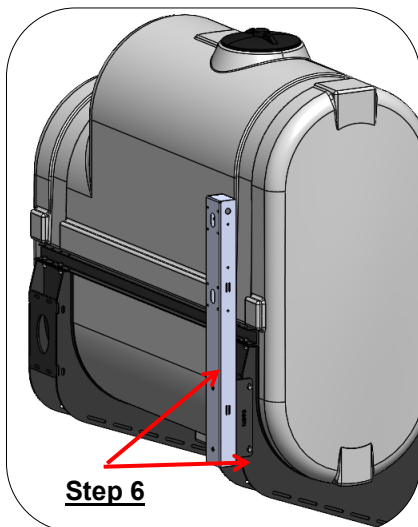
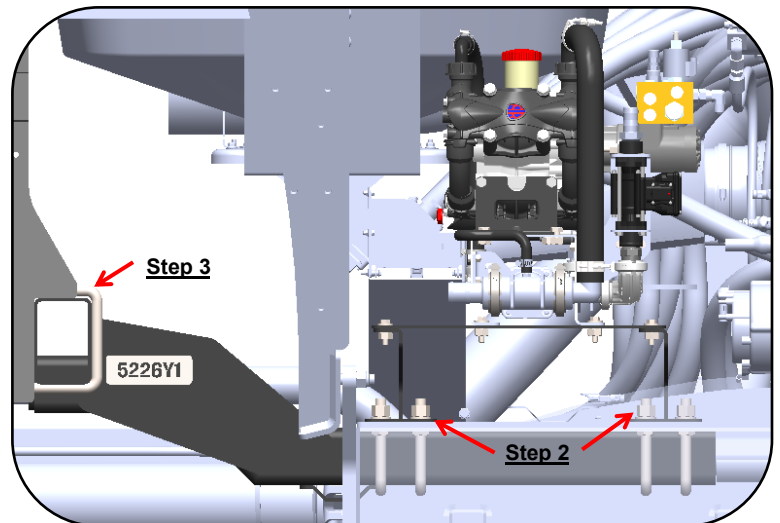
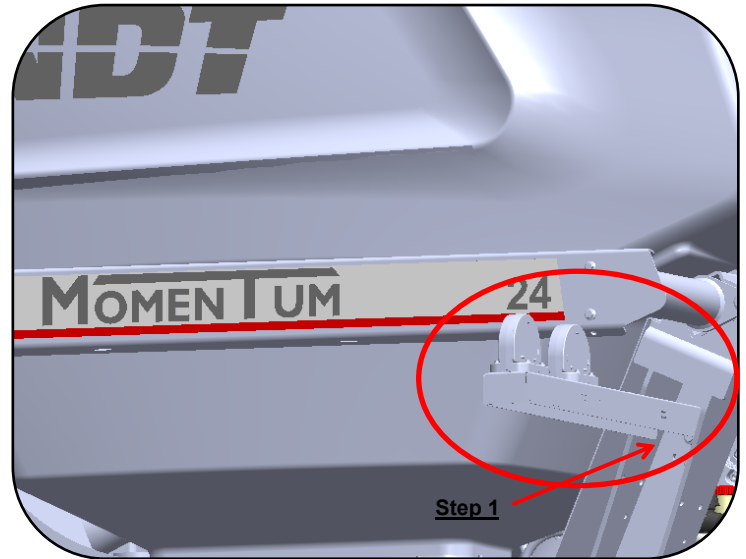


Tank Mounting

530-04-200200 - Dual 200 Gallon Saddle Tank Kit

Mounting Bracket Installation:

1. Installing SurePoint Ag Systems saddle tanks will interfere with the turn signals installed on the planter. First, remove the bolts from the turn signal mounting bracket. Unplug the turn signals from the harness and set aside.
2. Loosely install 5/8" x 10" x 4" u-bolt and slide the 430-5226Y1 support mounting bracket into the u-bolts. Repeat for both the left and right side of the planter. Do not tighten at this point as some adjustment may be required.
3. Mount the 400-5080Y1-BK Tank mounting saddle bracket to the support bracket using two (2) 3/4"x6"x4" u-bolts for each saddle. Mount the 6623Y1 tank braces using the provided 3/8" hardware.
4. Set the tank in the saddles and align the bracket with the tank strap grooves. Once centered on the mounting bracket, and tank clears planter seed tanks, tighten all u-bolts.
5. Install 525-2055 - 2" Strap kit to the support braces and tighten. Tank straps should be tightened again after the tank is filled with water.
6. Mount the 430-6410Y1 turn signal relocation brackets as shown, using two (2) 3/8" hex head bolts and flange nuts to fasten the mounting bracket
7. There should be enough slack in the harness to move the turn signal / flasher bracket. If necessary, use part number 206-00-5370Y1 extension harness to re-connect turn signals.





Sight Gauge Kit

520-00-400750 - 200 / 250 Gallon Cutaway Tank Sight Tube Kit

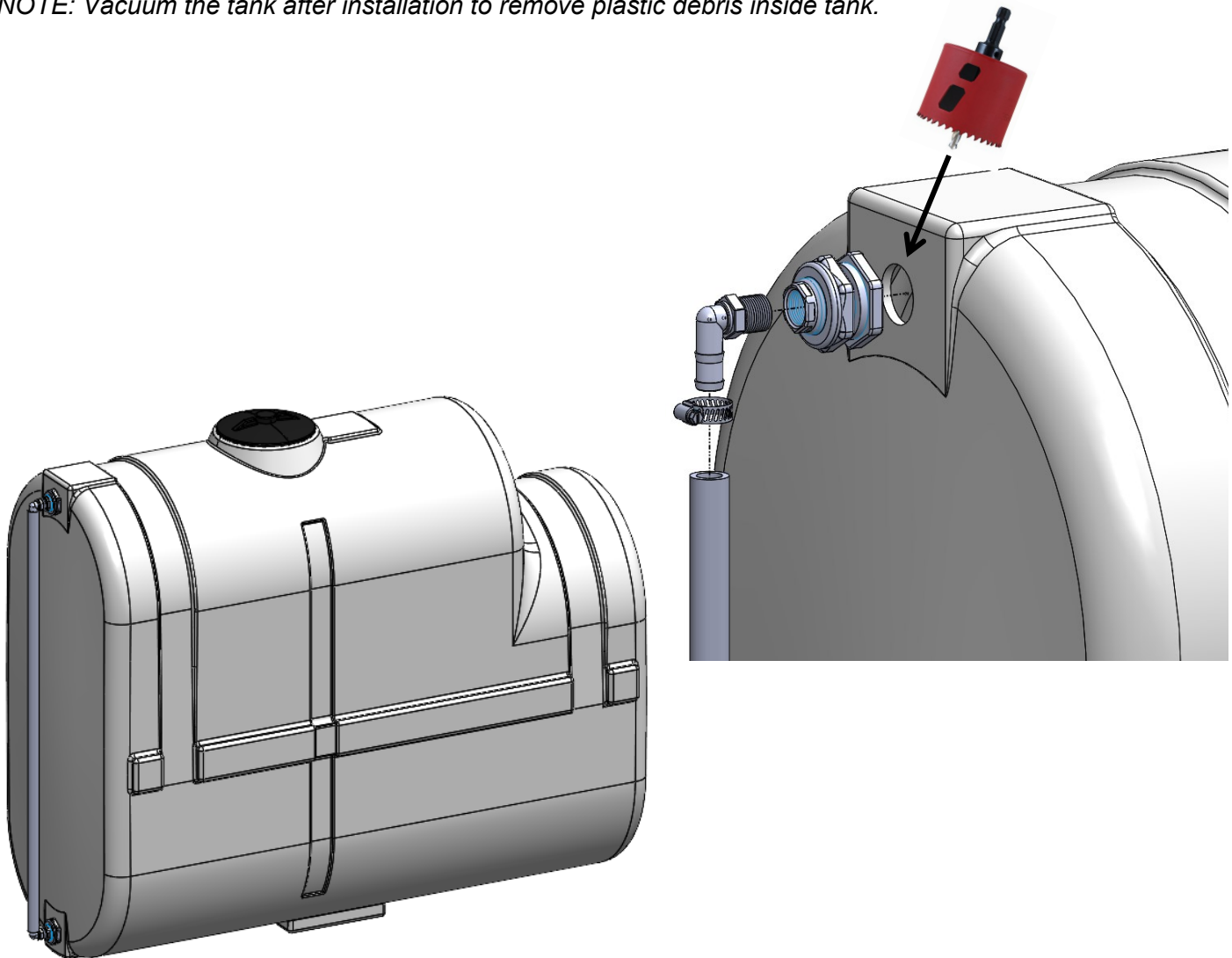
ITEM NO.	PART NUMBER	DESCRIPTION	QTY.
1	101-075075-90	3/4" MPT x 3/4" HB - 90 Degree	2
2	108-TF075	3/4" Tank Bung	2
3	283-075-15007008	Bulk 3/4" EVA Clear Tube	5'
4	350-1208	SS Hose Clamp - Size 12 - 1-1/4" Diameter (fits 3/4" AG200)	2

1. Use a hole saw to drill a hole in the tank towards the top and bottom for bung installation in the desired location.

NOTE: A 3/4" bung requires a 1-3/4" hole saw.

2. Tighten the reverse threads on the tank bung with the nut on the inside as shown.
3. Use pipe thread sealant and thread the 3/4" MPT x 3/4" Hose Barb - 90 Degree fitting into the tank bung.
4. Push the 3/4" hose onto the hose barb and tighten with hose clamps.

NOTE: Vacuum the tank after installation to remove plastic debris inside tank.



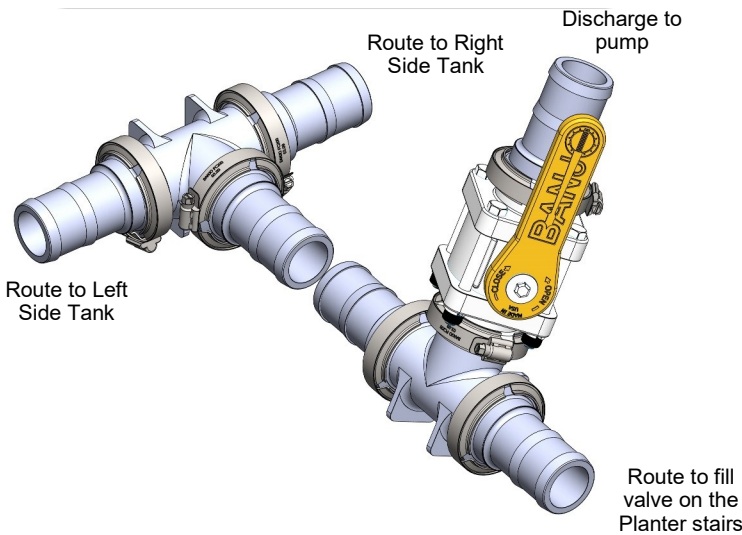
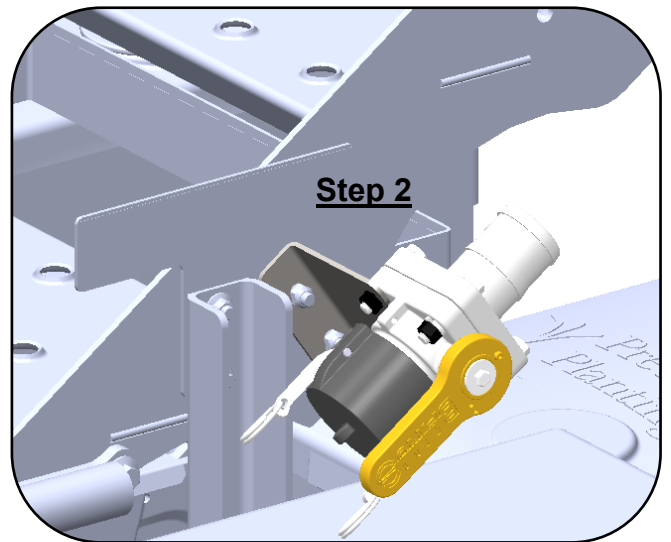
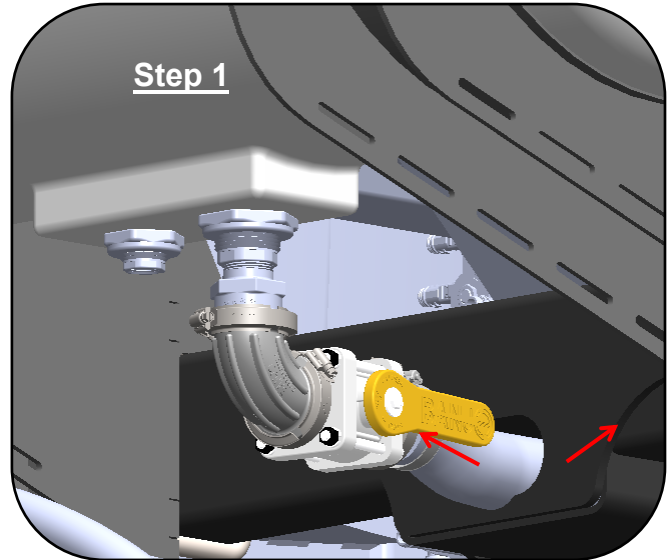


Saddle Tank Plumbing

Plumbing installation instructions for both tank options

Plumbing Installation:

1. Install the plumbing fittings on the bottom of the tank as shown and route fill hose from each tank to the center between both tanks.
2. Mount 2" Male Camlock x 2" Hose Barb Standard Port Poly Valve to the stairs using the 430-5227Y1-BK mounting bracket. Remove the nut and bolt from the poly valve, discard the lock washer and fasten to the mounting bracket. Use the existing hardware on the stairs to mount the fill valve bracket.
3. Route hoses according to the diagram below and secure as necessary.



ITEM NO.	PART NUMBER	DESCRIPTION	QTY
1	102-200MVCF	2" Manifold Standard Port Poly Valve	3
2	102-220VSFHBFP	2" Male Cam x 2" Hose Barb Full Port Valve	1
3	105-150G-H	1-1/2" EPDM Manifold Gasket for 200 Series Manifold fittings	15
4	105-200150BRB	2" Manifold x 1-1/2" HB	1
5	105-200BRB	2" Manifold x 2" HB	8
6	105-200125MPT	2" Manifold x 1-1/4" MPT	2
7	105-200SWP90	2" Manifold Sweep - 90 Degree	2
8	105-200TEE	2" Manifold Tee	2
9	105-FC200	2" Manifold Clamp	15
10	106-200CAP	2" Cap	1
11	108-TF200	2" Tank Bung	2
12	280-200-ENF	2" Enforcer Fertilizer Solution Hose	30'
13	350-PS288	Pressure Seal HD Clamp, Size 288 - 2.125" - 2.625" (2" ENF or WBS hose)	8
14	352-3216	Band Clamp - Vinyl Coated - 2"	2
15	353-15	15" Zip Tie	1
16	430-5227Y1-SS	Fendt Momentum Fill Kit Mounting Bracket	1

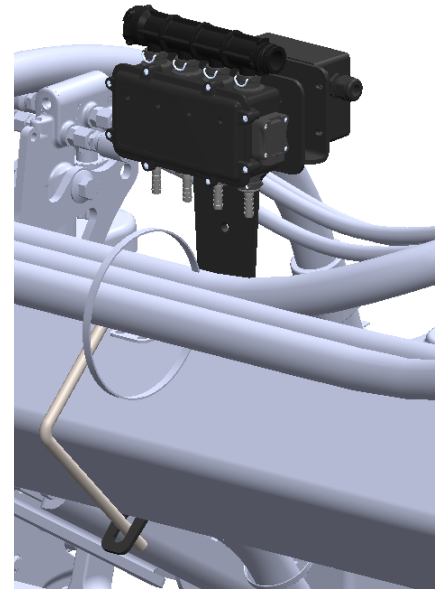
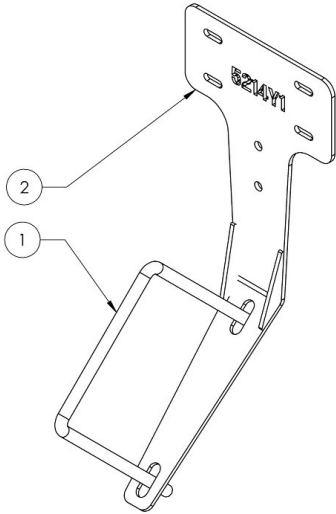


Sentinel / Flow Indicator Mounting

515-03-300100

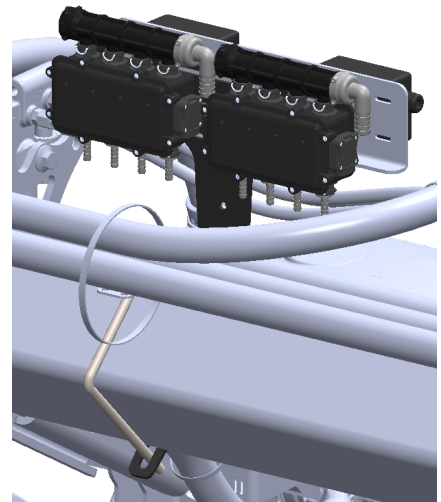
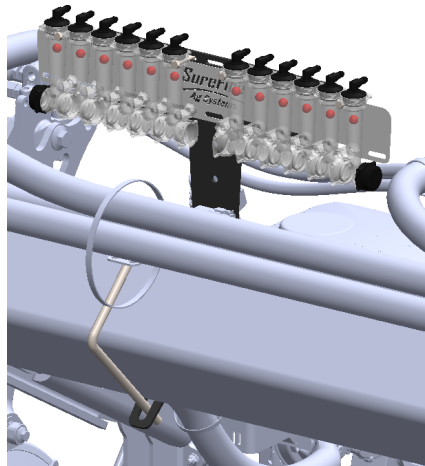
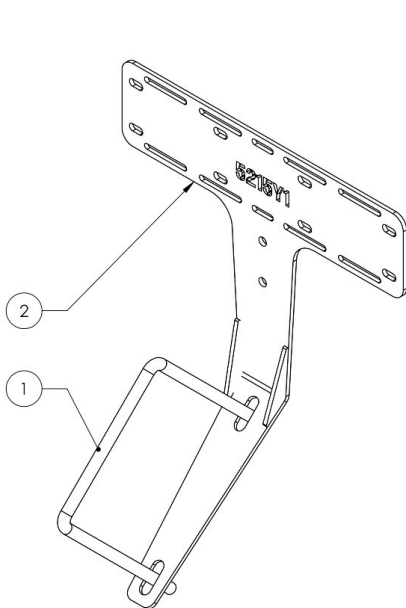
Fendt Momentum 4 Row Sentinel Mounting Bracket Kit

ITEM NO.	PART NUMBER	DESCRIPTION	QTY.
1	380-1001	1/2" U-bolt Kit - fits 7" x 7" tube - (7" opening) includes flange nuts	1
2	400-5214Y1-BK	Fendt Momentum 4 Row Sentinel Mounting Bracket	1



515-03-300200 - Fendt Momentum 8 Row Sentinel / 12 Row Flow Indicator Mounting Bracket

ITEM NO.	PART NUMBER	DESCRIPTION	QTY.
1	380-1001	1/2" U-bolt Kit - fits 7" x 7" tube - (7" opening) includes flange nuts	1
2	400-5215Y1-BK	Fendt Momentum 8 Row Sentinel / Flow Indicator Mounting Bracket	1





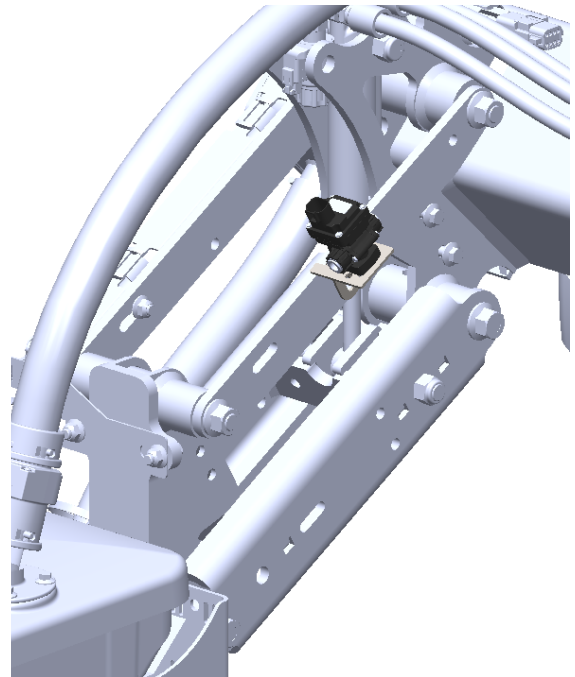
Valve Mounting

515-01-300100

SS Parallel Linkage Zip Valve Mounting Bracket (For 2 Zip Valves)

1. Mount the Gen3 LiquiShift Valve mounting bracket to the parallel arm using the 1/4" bolt provided. The valve can be mounted on the outside of the parallel arms or inside, depending on the installation and clearance from other plumbing/harnessing.
2. Mount the Gen3 LiquiShift Valve to the mounting bracket using the plastic thread-forming screws provided. *Note: The valve can be mounted to the bracket before installing on the planter.*
3. Route 3/8" OD tubing or 3/8" hose from the Sentinel Flowmeter Module to the row unit. Avoid pinch points on the planter and allow for row unit travel. *Note: Lubricate 3/8" tube or tube fitting and make sure 3/8" OD tubing is cut off flush and clean prior to installation to avoid rolling the o-ring.*
4. Route 3/8" OD tubing or 3/8" hose from the Sentinel Row Control Valve to the placement device.
5. Route harness and connect the 4-pin Deutsch connector. Secure wiring harness with zip ties as needed. Make sure to allow clearance for row unit travel and/or wing fold points.

*Refer to 396-4608Y1 Gen3 LiquiShift Manual for full instructions.



515-01-400100

Sentinel Row Control Parallel Arm Bracket Kit (2 Brackets per Kit)

1. Mount the Sentinel Row Control Valve mounting bracket to the parallel arm using the 1/4" bolt provided. The valve can be mounted on the outside of the parallel arms or inside, depending on the installation and clearance from other plumbing/harnessing.
2. Mount the Sentinel Row Control Valve to the mounting bracket using the 1/4" x 3/8" hex head bolts and lock washers provided. *Note: The valve can be mounted to the bracket before installing on the planter.*
3. Route 3/8" OD tubing or 3/8" hose from the Sentinel Flowmeter Module to the row unit. Avoid pinch points on the planter and allow for row unit travel. *Note: Lubricate 3/8" tube or tube fitting and make sure 3/8" OD tubing is cut off flush and clean prior to installation to avoid rolling the o-ring.*
4. Route 3/8" OD tubing or 3/8" hose from the Sentinel Row Control Valve to the placement device.
5. Route harness and connect the 4-pin Deutsch connector. Secure wiring harness with zip ties as needed. Make sure to allow clearance for row unit travel and/or wing fold points.

*Refer to 396-5477Y1 Sentinel Row Control Manual for full instructions.

