

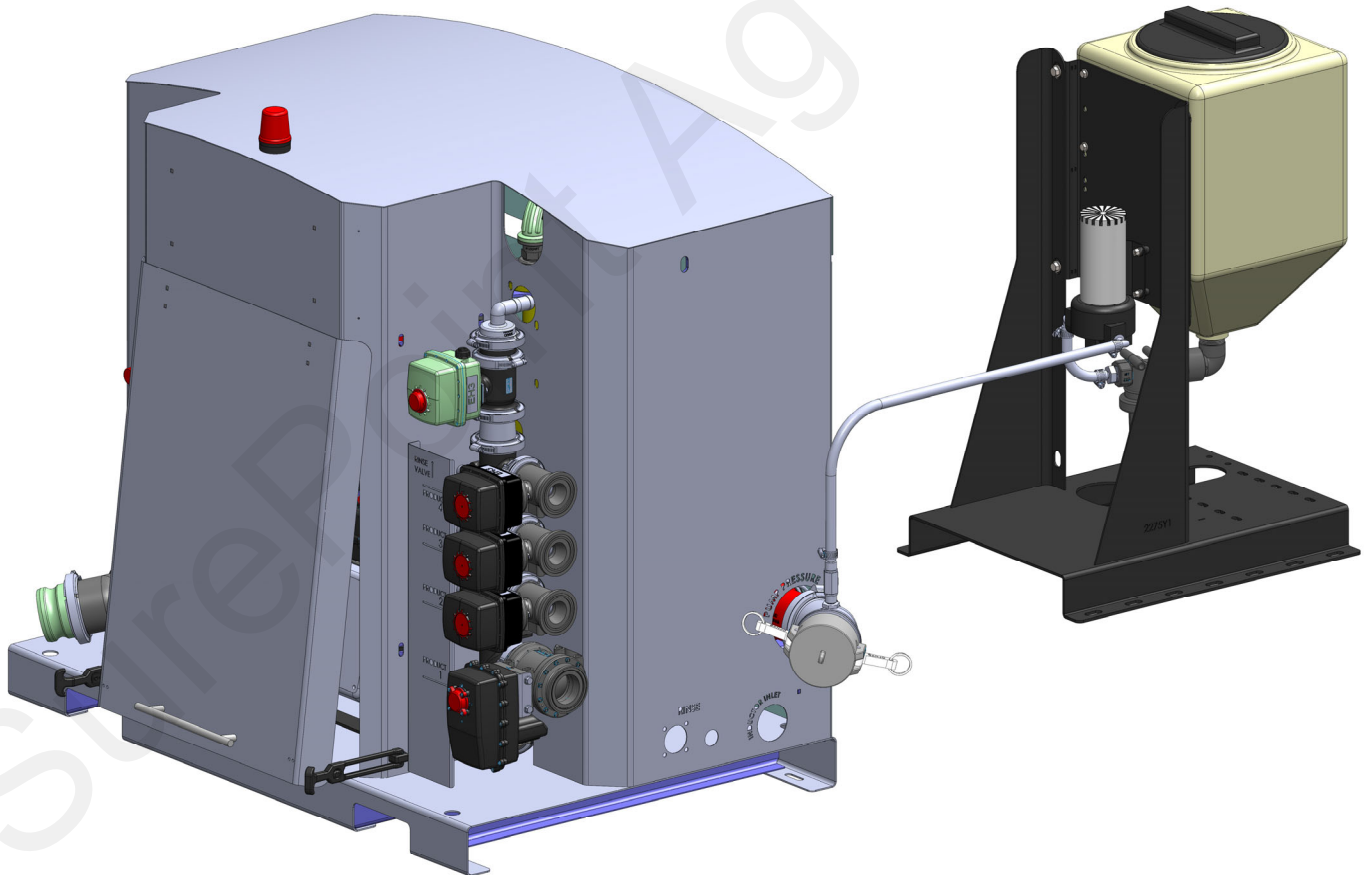


396-3227Y1

Gen 2 QuickDraw Winterization Pump Kit Installation Instructions



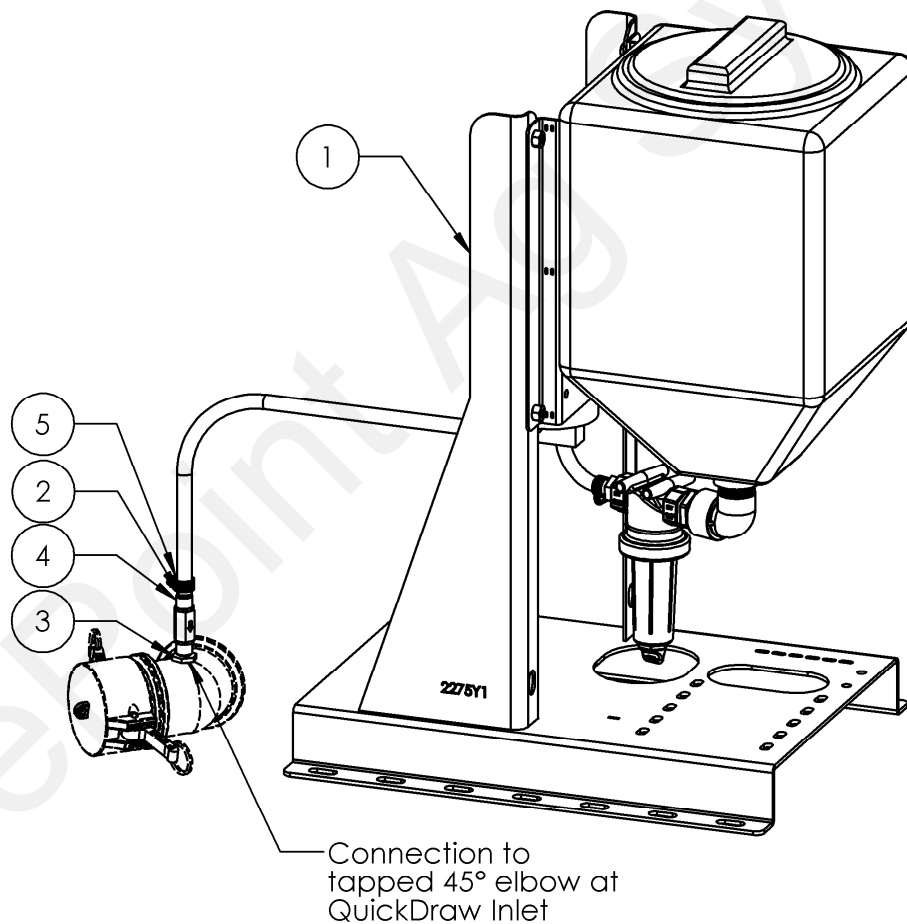
Kit Number: 606-03-400300





Parts List and Exploded View

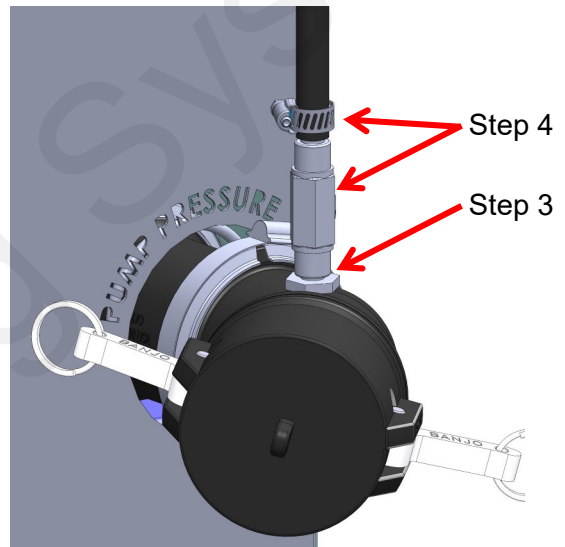
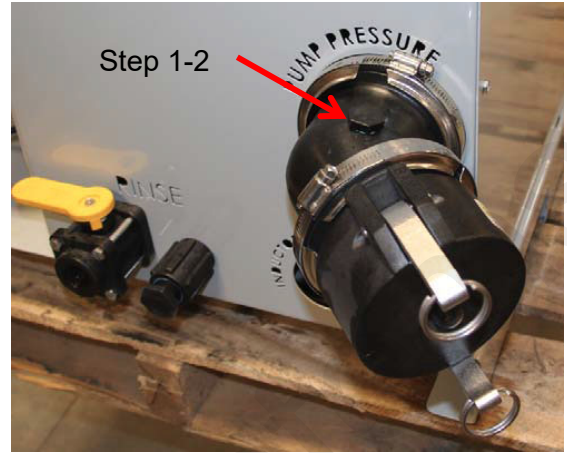
ITEM NO.	PART NUMBER	DESCRIPTION	QTY.
1	(Pre-Assembled)	Pre-Assembled QuickDraw Winterization Pump Kit	1
2	113-01-038038	Stem to HB - 3/8" Stem x 3/8" HB	1
3	113-02-038038	Stem to MPT - 3/8" Stem x 3/8" MPT	2
4	136-CV-5MC0606	Check Valve - 3/8" QC Inlet x 3/8" QC Outlet	1
5	350-0605	SS Hose Clamp - Size 6	2
6	205-2201Y1	40 Amp EPD 2 Pump Y Cable (480 MP shroud x 2 480 MP tower's)	1
7	206-02-2495Y1	2 Pin - 2' 480 MP Extension Cable (8 AWG) with Power Switch	1
8	206-02-2207Y1	2 Pin - 10' 480 MP Extension Cable-8 AWG	1





Step by Step Instructions

1. Attach tank/pump assembly to spray tender trailer, or desired location for winterization pump kit. Route hose from pump outlet to check valve at QuickDraw inlet (shown right).
2. Remove 3/8" pipe plug from QuickDraw inlet 45° coupling.
3. Using pipe thread seal tape or sealant, thread 3/8" MPT x 3/8" stem fitting (Item 3) into tapped 45° coupling (where plug was removed).
4. Push-connect check valve (Item 4, with arrow pointing down) onto stem fitting at the 45° coupling, push-connect stem to hose barb fitting (Item 2), and connect 3/8" AG200 hose from winterization pump kit with hose clamp.

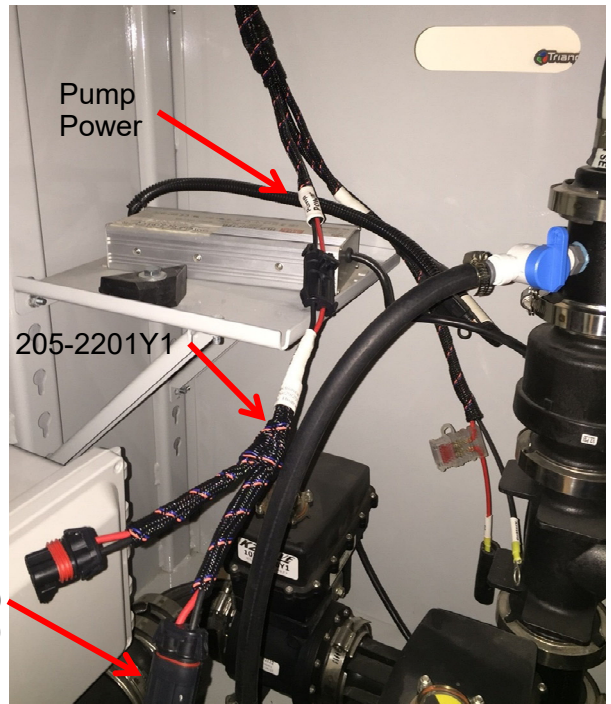


Pump Switch at pump option:

5. Connect 206-02-2495Y1 switch harness to pump, then connect 206-02-2207Y1 10' extension cable to switch harness.
6. Inside the QuickDraw Cabinet, connect 10' extension cable to 205-2201Y1 wye cable. The wye cable should connect to the harness labeled "Pump Power".

Pump Switch in the QuickDraw option:

5. Connect 206-02-2207Y1 10' extension cable to pump, and route cable to inside the QuickDraw cabinet.
6. Inside the QuickDraw Cabinet, connect 10' extension cable to 206-02-2495Y1 switch harness and connect the the switch harness to the 205-2201Y1 wye cable. The wye cable should connect to the harness labeled "Pump Power".



206-02-2207Y1 (10' Extension)
or 206-02-2495Y1 (Switch)

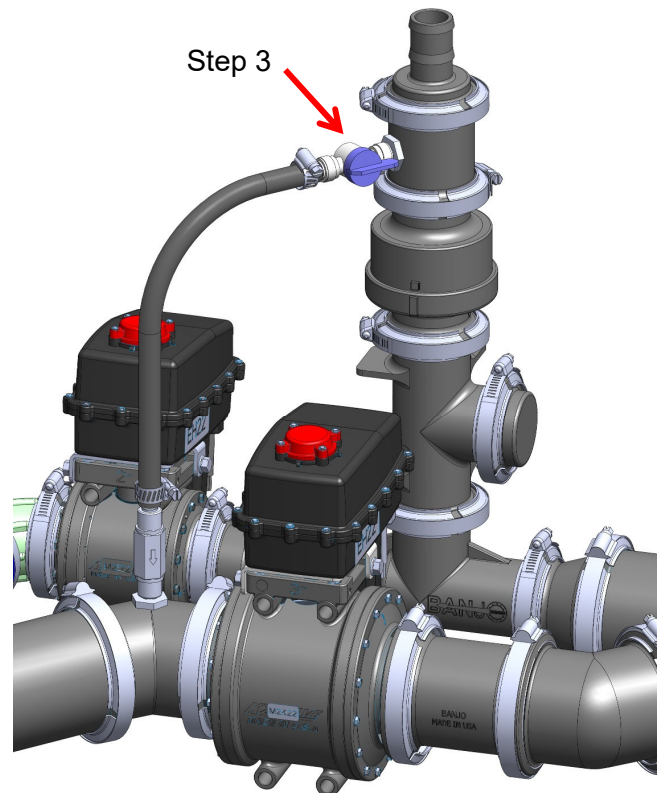
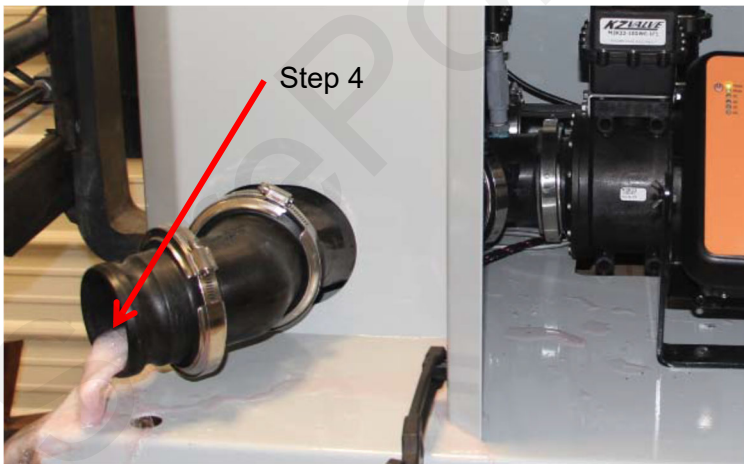
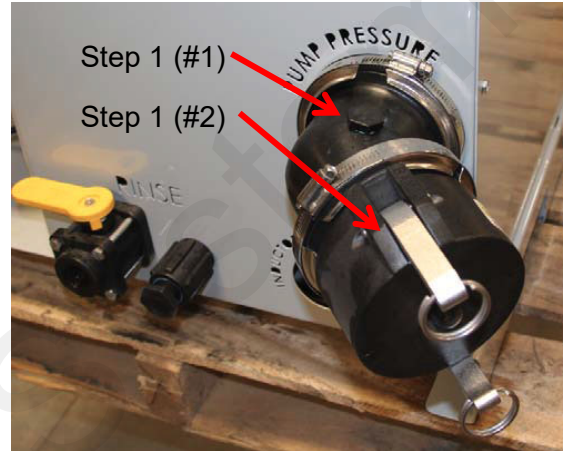


QuickDraw Winterization Procedure

The following is the Winterization Procedure for QuickDraw. Use RV AntiFreeze or 28% UAN. Five gallons should be sufficient to winterize the system. This winterization process is best used during early spring and late fall periods when still actively using the system to tender. Over-winter it is recommended to keep your QuickDraw inside a temperature control building. If this is not possible, utilize winterization procedure and then remove Control Console (User Interface) and keep inside.

NOTE: Using only compressed air will not get all water out of the QuickDraw plumbing. To ensure no damage occurs from freezing, it is necessary to use antifreeze or 28% UAN solution.

1. To pump antifreeze into the QuickDraw, attach the hose from the Winterization Pump Kit on previous page to the 3/8" port tapped on the QuickDraw inlet. Note: if using an electric pump, you'll need to stop flow from going to your transfer pump. This can be done by installing a valve that can be closed or by disconnecting the inlet hose from the transfer pump to the QuickDraw and putting a 3" Cap on the Inlet (#2).
2. Use **Manual Controls** on the QuickDraw controller to open **Rinse Valve**
3. Open "Winterization Vent Valve" (#3 below)
4. Pump Antifreeze or 28% UAN into the QuickDraw pump inlet until product is discharged from QuickDraw Outlet (#4 below). The winterization pump kit is provided with wiring harnesses and a manual switch for pump operation.
5. Use **Manual Controls** on controller to close **Rinse Valve**
6. Use **Manual Controls** to open **2" Venturi Valve** and **3" By-Pass Valve**. Antifreeze should discharge from QuickDraw outlet when each of these valves open. If Antifreeze does not discharge when the valves open, pump additional antifreeze until it visibly discharges from QuickDraw outlet.
7. Open the drain valve at the bottom of the Mass Meter and Product Control Valve Stack to drain the system.
8. Close Winterization Vent Valve and Drain Valve on the bottom of the Mass Meter





QuickDraw 3000 Winterization Procedure

The following is the Winterization Procedure for QuickDraw. SurePoint recommends RV anti-freeze or windshield washer fluid. Five gallons should be sufficient to winterize the QuickDraw internal plumbing. This winterization process is best for early spring and late fall periods when still actively using the system to tender. For winter long storage it is recommended to keep your QuickDraw inside a temperature control building. If this is not possible, utilize winterization procedure and then remove Control Console (User Interface) and keep inside.

NOTE: Using only compressed air will not get all water out of the QuickDraw plumbing. To ensure no damage occurs from freezing, it is necessary to still use antifreeze prior to blowing out with air.

1. To pump antifreeze into the QuickDraw, attach the hose from the Winterization Pump Kit on previous page to the 3/8" port tapped on the QuickDraw inlet. Note: if using an electric pump, you'll need to stop flow from going to your transfer pump. This can be done by installing a valve that can be closed or by disconnecting the inlet hose from the transfer pump to the QuickDraw and putting a 3" Cap on the Inlet (#2).
2. Use **Manual Controls** on the QuickDraw controller to open **Rinse Valve**
3. Open "Winterization Vent Valve" (#3 below)
4. Pump Antifreeze or 28% UAN into the QuickDraw pump inlet until product is discharged from QuickDraw Outlet (#4 below). The winterization pump kit is proved with wiring harnesses and a manual switch for pump operation.
5. Use **Manual Controls** on controller to close **Rinse Valve**
6. Use **Manual Controls** to open **2" Venturi Valve** and **3" By-Pass Valve**. Antifreeze should discharge from QuickDraw outlet when each of these valves open. If Antifreeze does not discharge when the valves open, pump additional antifreeze until it visibly discharges from QuickDraw outlet.
7. Open the drain valve at the bottom of the Mass Meter and Product Control Valve Stack to drain the system.
8. Close Winterization Vent Valve and Drain Valve on the

