



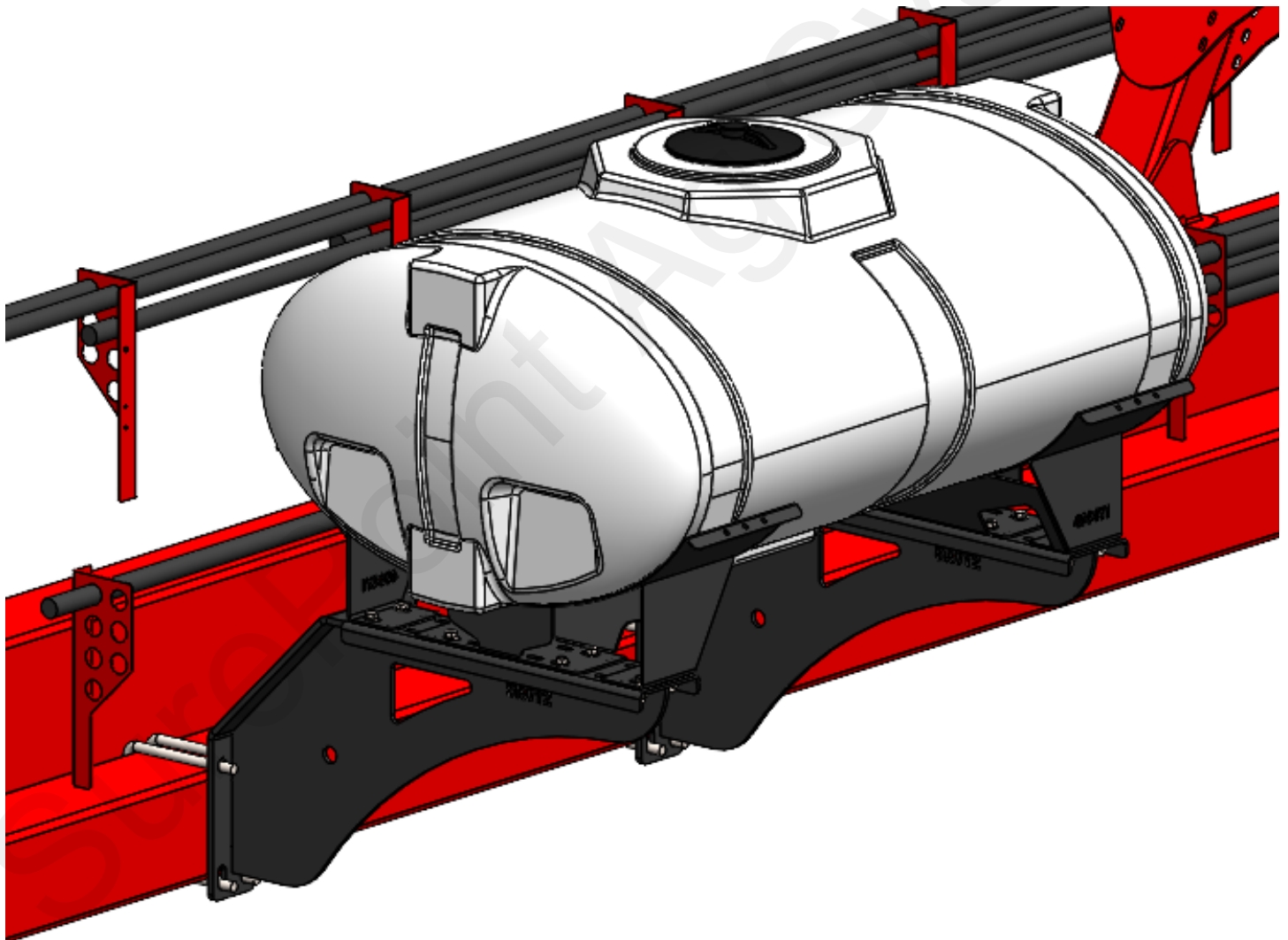
# 396-5199Y1

## Case 2150 - 200 Gal Wing Tank

### Mounting Instructions

Kit Number: 530-02-450200

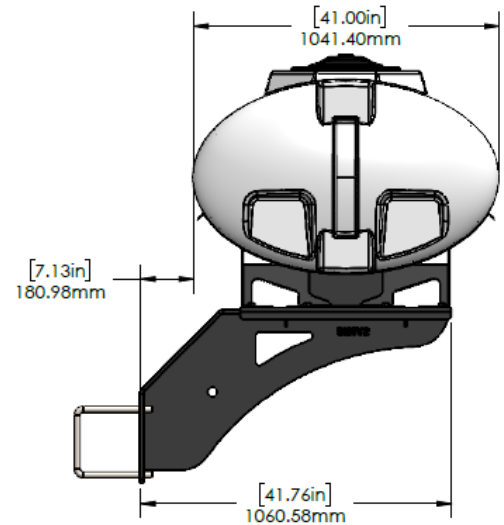
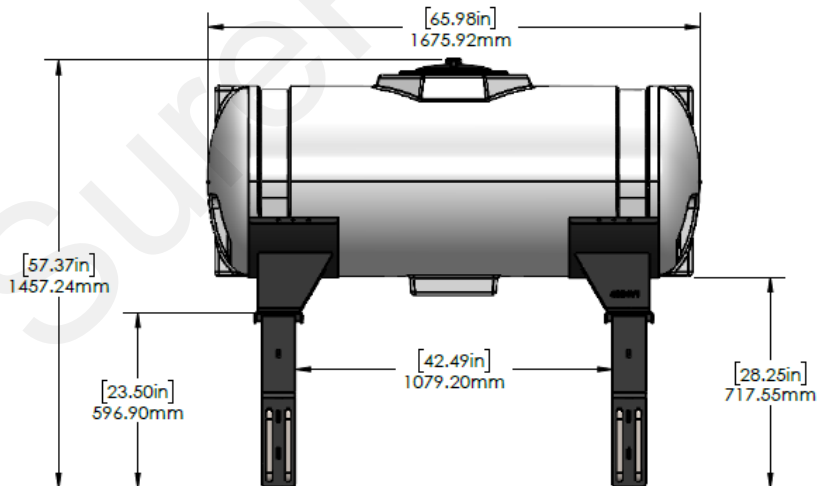
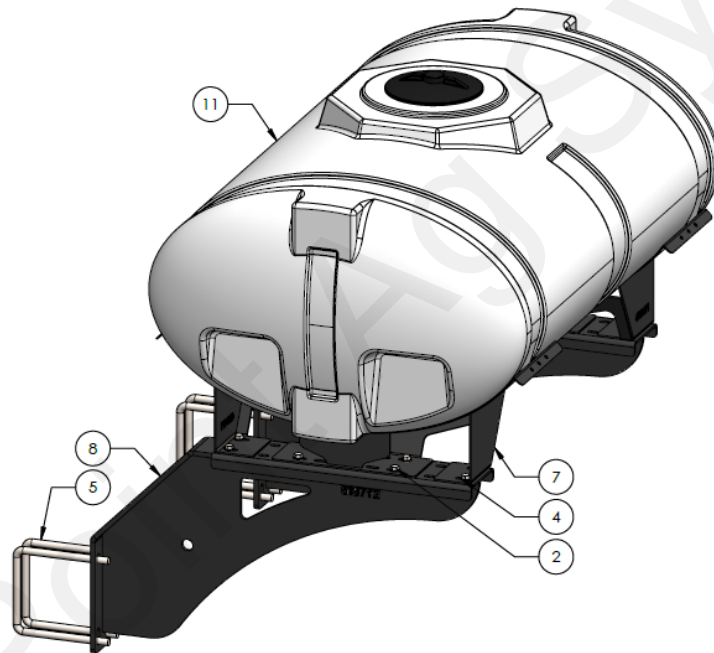
Kit Description: Case 2150 - 200 Gal Wing Tank Kit





# Parts List and Dimensions

ITEM NO.	PART NUMBER	DESCRIPTION	QTY.
1	280-075-AG200	3/4" AG200 Bulk	20
2	300-080108-5	1/2" x 1-1/2" Hex Head Bolt - G5	16
3	323-08	1/2" Flange Nut	16
4	330-08	1/2" Flat Washer	16
5	380-1077	3/4" U-bolt Kit - fits 8" x 8" - (8" opening) includes flange nuts	4
6	396-5199Y1	Case 2150 - Dual 200 Gal Wing Tank Kit Mounting Instructions	1
7	420-4694Y1-BK	Tank Saddle Weld Assembly for 200 Gal Elliptical Tank	2
8	457-5197Y2-BK	Case 2150 Wing Mount Tank Bracket	2
9	521-00-100290	Tank Overflow Assembly Bag for Two Tanks (Wing Tanks)	1
10	525-2055	2" Strap Kit for Tanks 300 Gal & Under	2
11	727-01-HE0200-41-W	Elliptical Tank - 200 Gal - White	1



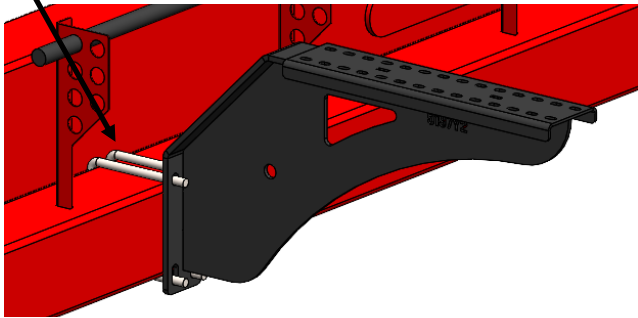


# Step by Step Instructions

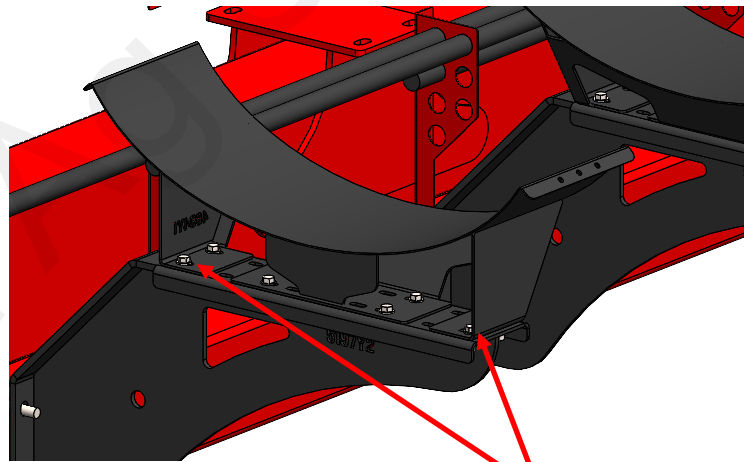
1. Loosely mount 457-5197Y2 bracket under hoses and air compressor using two (2) 8" x 8" U-bolts.
2. Loosely mount a second 457-5197Y2 bracket under hoses using two (2) 8" x 8" U-bolts.



Step 1



3. Loosely mount 420-4694Y1 to 457-5197Y2 using eight (8) 1/2" x 1-1/2" hex head bolts, washers, and nuts. Repeat for second saddle.  
Note: 420-4694Y1 brackets can be flipped in order to adjust the overall width of the mounting brackets to clear obstructions.



4. Mount tank to saddles and tighten down using the provided tank straps. Tighten straps down again after filling the tank.

Step 4

