



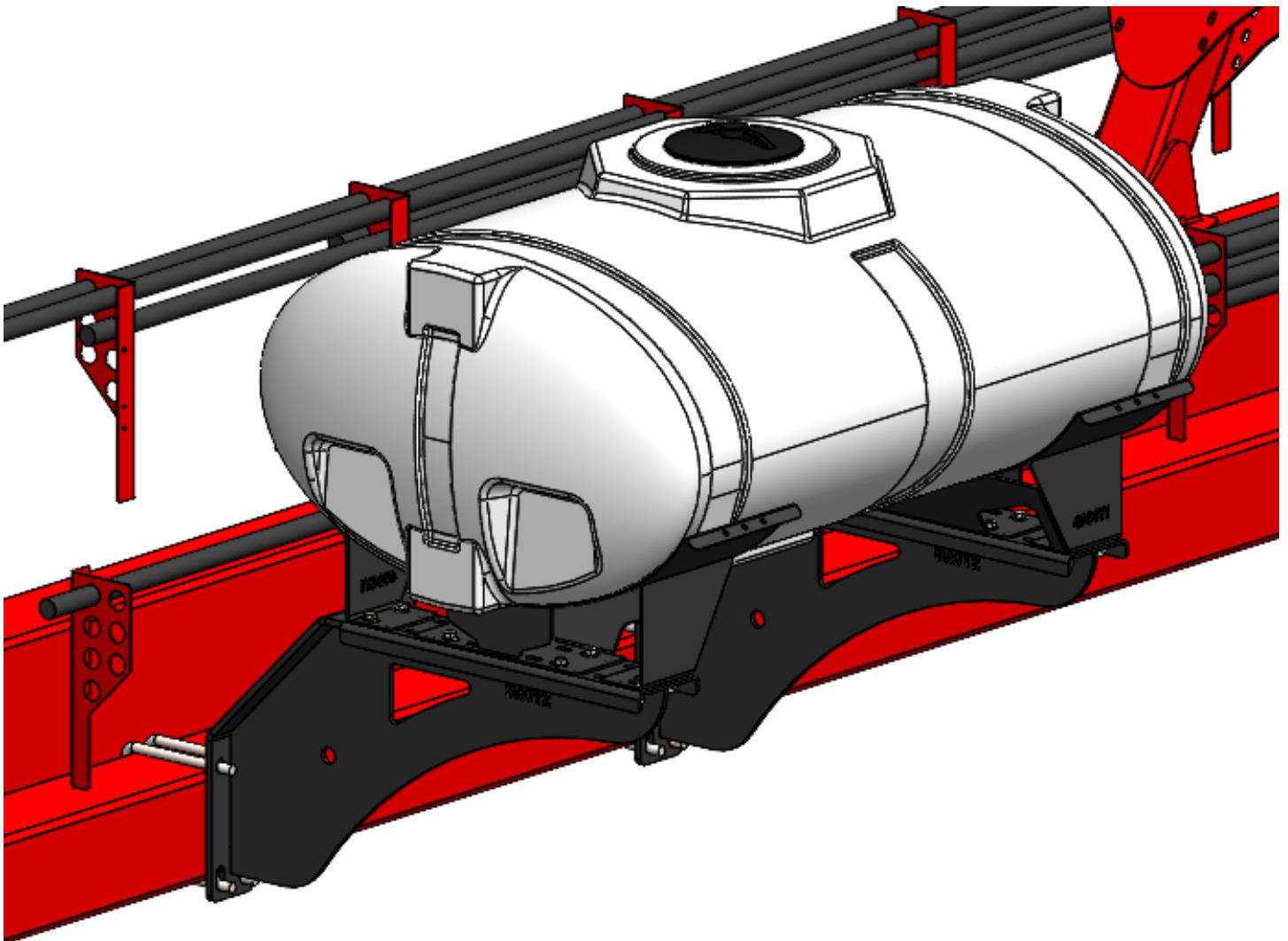
396-5199Y1

Case 2150 - 200 Gal Wing Tank

Mounting Instructions

Kit Number: 530-02-450200

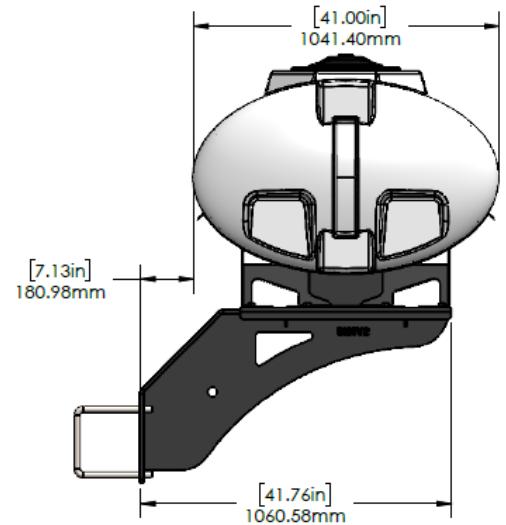
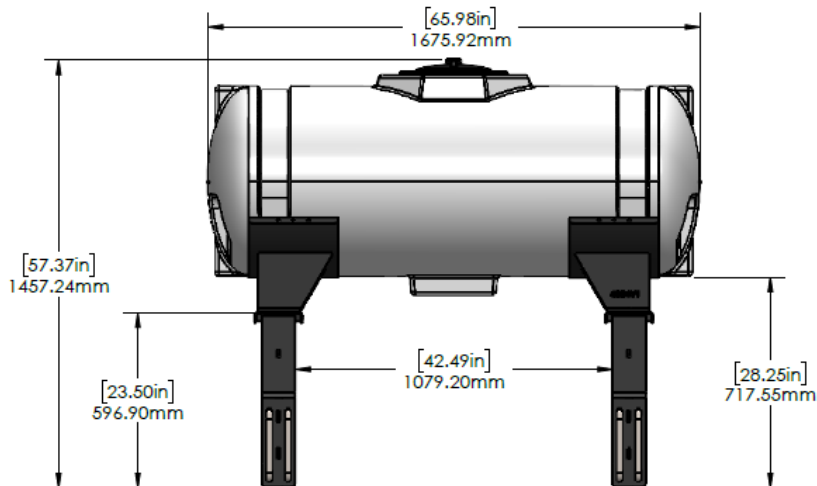
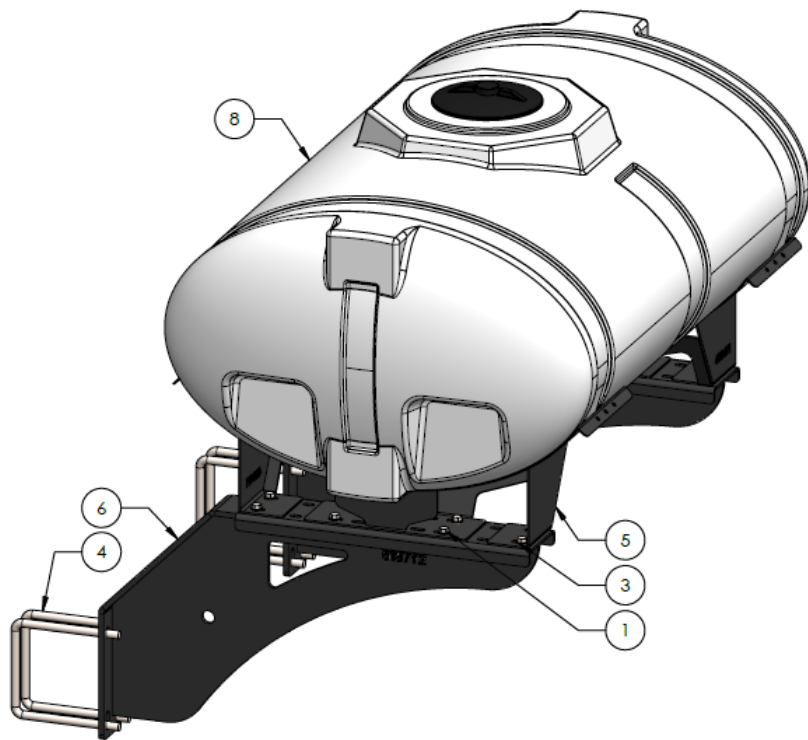
Kit Description: Case 2150 - 200 Gal Wing Tank Kit





Parts List and Dimensions

ITEM NO.	PART NUMBER	DESCRIPTION	QTY.
1	300-080108-5	1/2" x 1-1/2" Hex Head Bolt - G5	16
2	323-08	1/2" Flange Nut	16
3	330-08	1/2" Flat Washer	16
4	380-1077	3/4" U-bolt Kit - fits 8" x 8" - (8" opening) includes flange nuts	4
5	420-4694Y1-BK	Tank Saddle Weld Assembly for 200 Gal Elliptical Tank	2
6	457-5197Y2-BK	Case 2150 Wing Mount Tank Bracket	2
7	525-2055	2" Strap Kit for Tanks 300 Gal & Under	2
8	727-01-HE0200-41-W	Elliptical Tank - 200 Gal - White	1



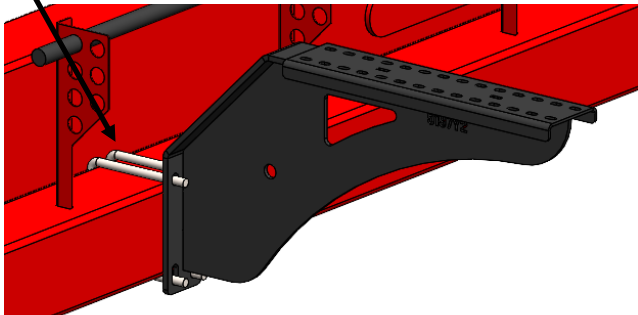


Step by Step Instructions

1. Loosely mount 457-5197Y2 bracket under hoses and air compressor using two (2) 8" x 8" U-bolts.
2. Loosely mount a second 457-5197Y2 bracket under hoses using two (2) 8" x 8" U-bolts.

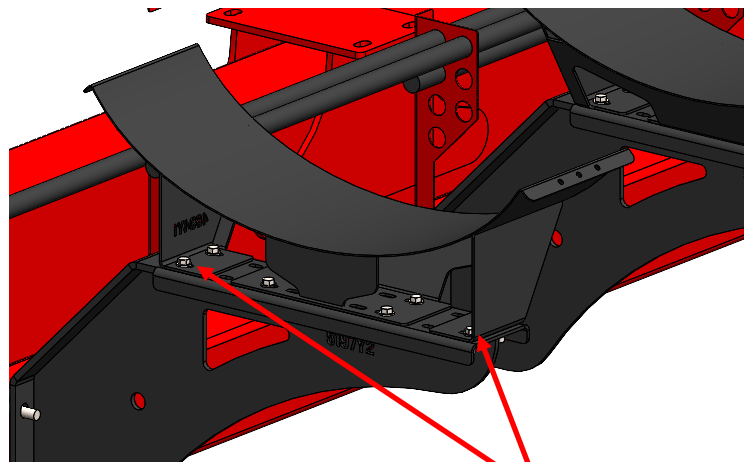


Step 1



3. Loosely mount 420-4694Y1 to 457-5197Y2 using eight (8) 1/2" x 1-1/2" hex head bolts, washers, and nuts. Repeat for second saddle.

Note: 420-4694Y1 brackets can be flipped in order to adjust the overall width of the mounting brackets to clear obstructions.



Step 3

4. Mount tank to saddles and tighten down using the provided tank straps. Tighten straps down again after filling the tank.

Step 4

