

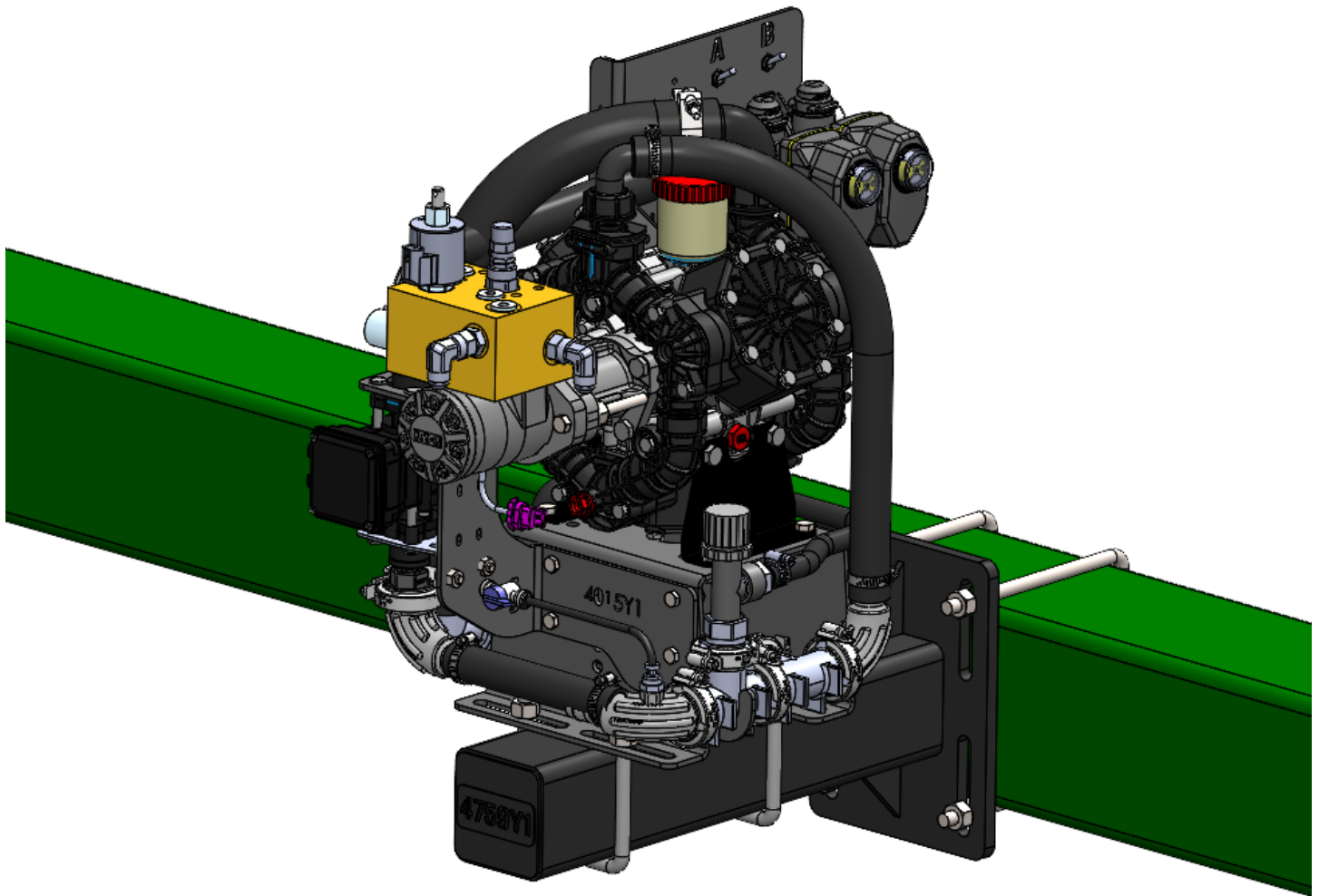


396-5190Y1

4x4 PumpRight Mount Extension Bar Mounting Instructions

Kit Number: 515-2016

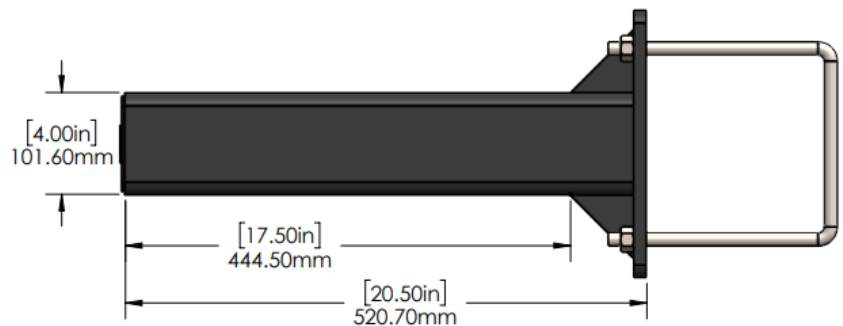
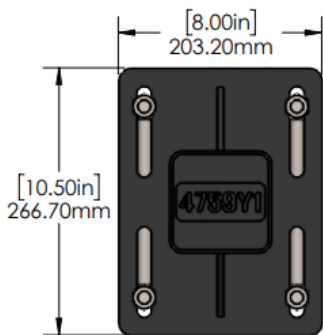
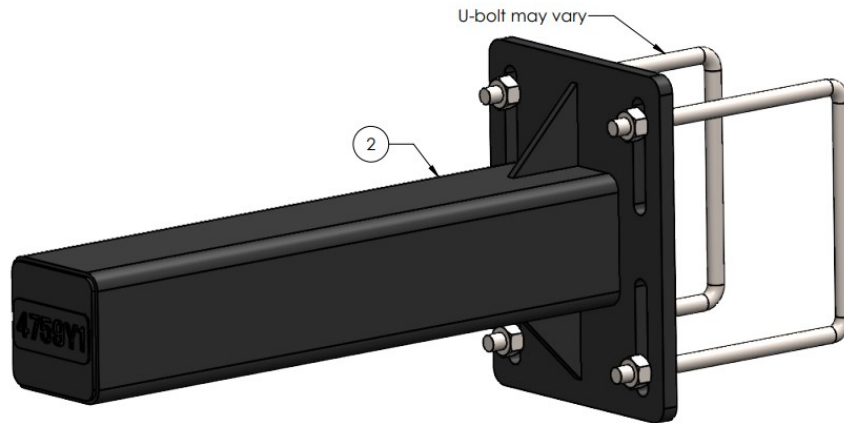
Kit Description: PumpRight 4x4 Extension Mounting Bracket Kit





Parts List and Instructions

ITEM NO.	PART NUMBER	DESCRIPTION	QTY.
1	380-1023	1/2" U-bolt Kit - fits 4" x 4" - (4" opening) includes flange nuts	2
2	400-4759Y1-BK	Saddle Tank Pump Mounting Bracket - 4x4 Tube	1



Installation Instructions:

1. Mount the 400-4759Y1 mounting bracket using u-bolt kit as specified.
Note: The u-bolt size will vary by implement model or configuration.
2. Mount the PumpRight pump using the two (2) provided 4x4 u-bolts.

