



396-5148Y1

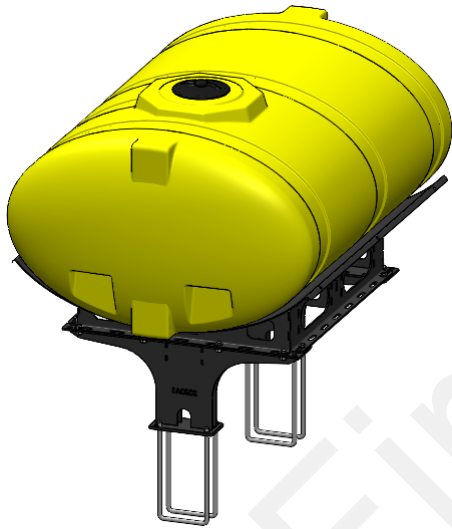
John Deere DB80 Hitch Mounted Tank Kit Mounting Instructions

Planter Manufacturer: **JOHN DEERE**

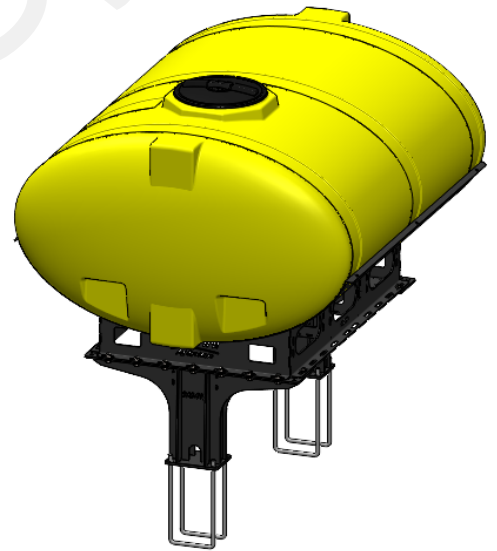
Kit Number: 530-01-450750 (500 Gallon)

Kit Number: 530-01-450760 (600 Gallon)

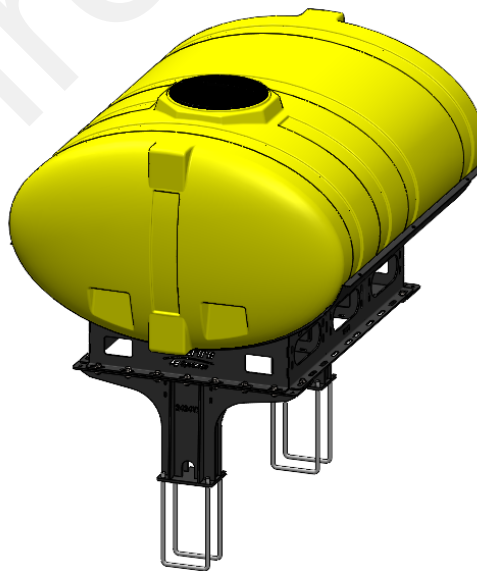
Kit Number: 530-01-450775 (750 Gallon)



500 Gal



750 Gal

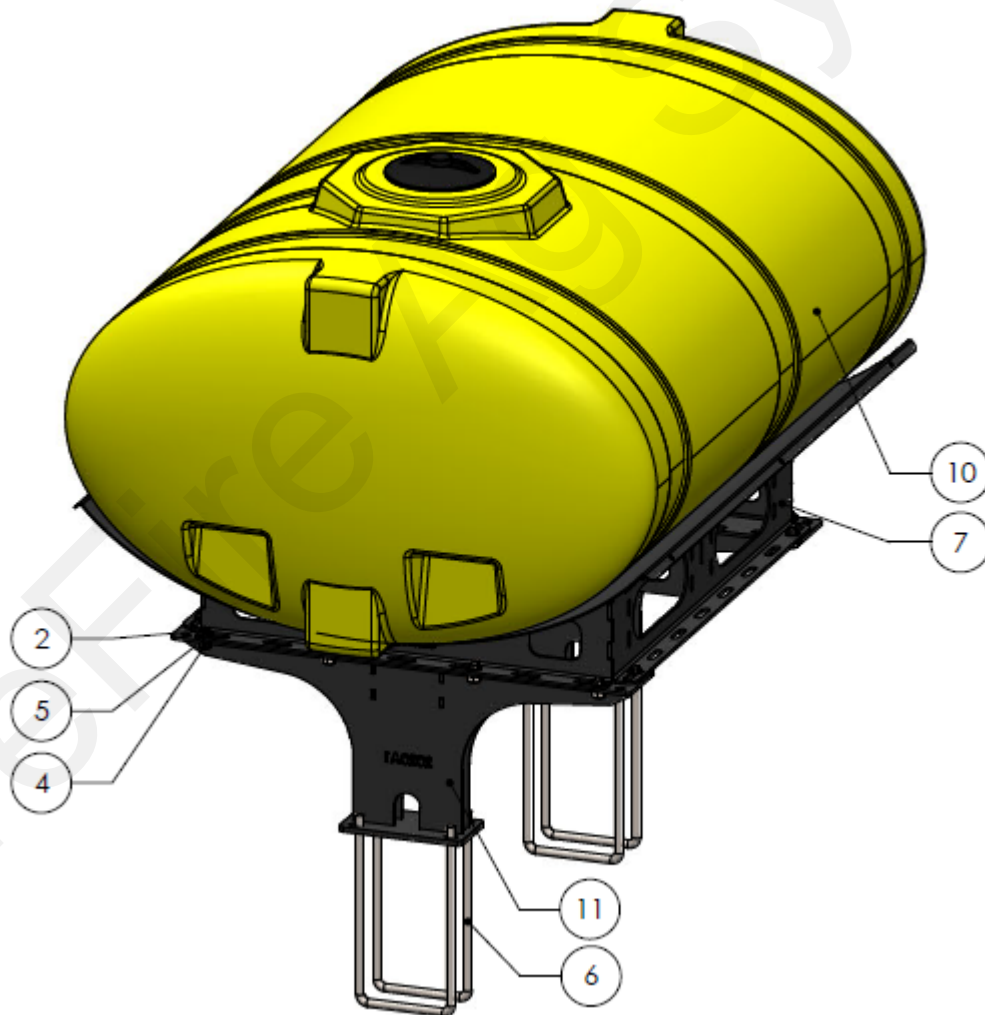


600 Gal



Parts List and Exploded View 530-01-450750

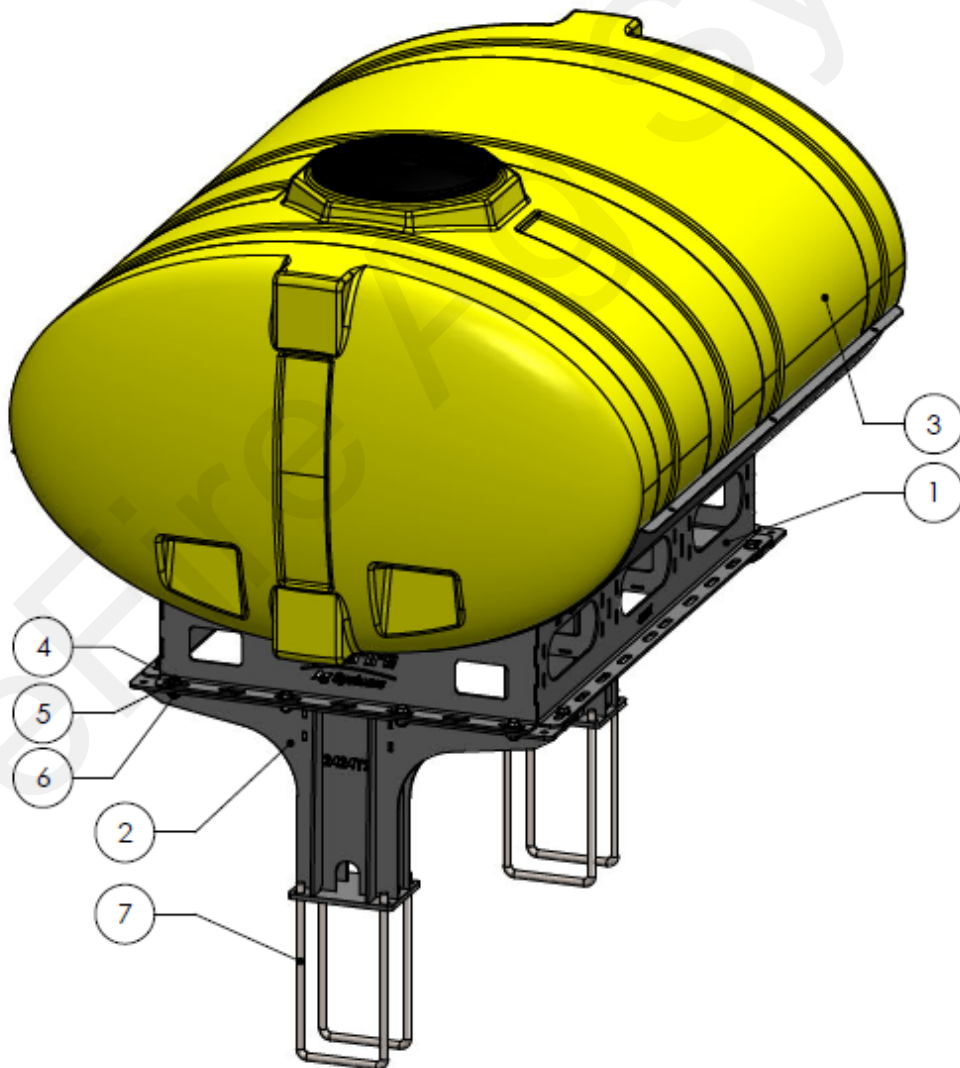
ITEM NO.	PART NUMBER	DESCRIPTION	QTY.
2	300-100108-5	5/8" x 1-1/2" Hex Head Bolt - G5	12
4	323-10	5/8" Flange Nut	12
5	330-10	5/8" Flat Washer	12
6	380-1067	3/4" U-bolt Kit - fits 8" x 16" tube	4
7	421-1329A2	500 Gallon Elliptical Cradle	1
9	525-3000	3" Tank Strap Kit	3
10	727-01-HE0500-57-OS-Y	750 Gal Elliptical Tank - Yellow	1
11	421-2020A1	400/500 Gallon Tank Pedestal	2





Parts List and Exploded View 530-01-450760

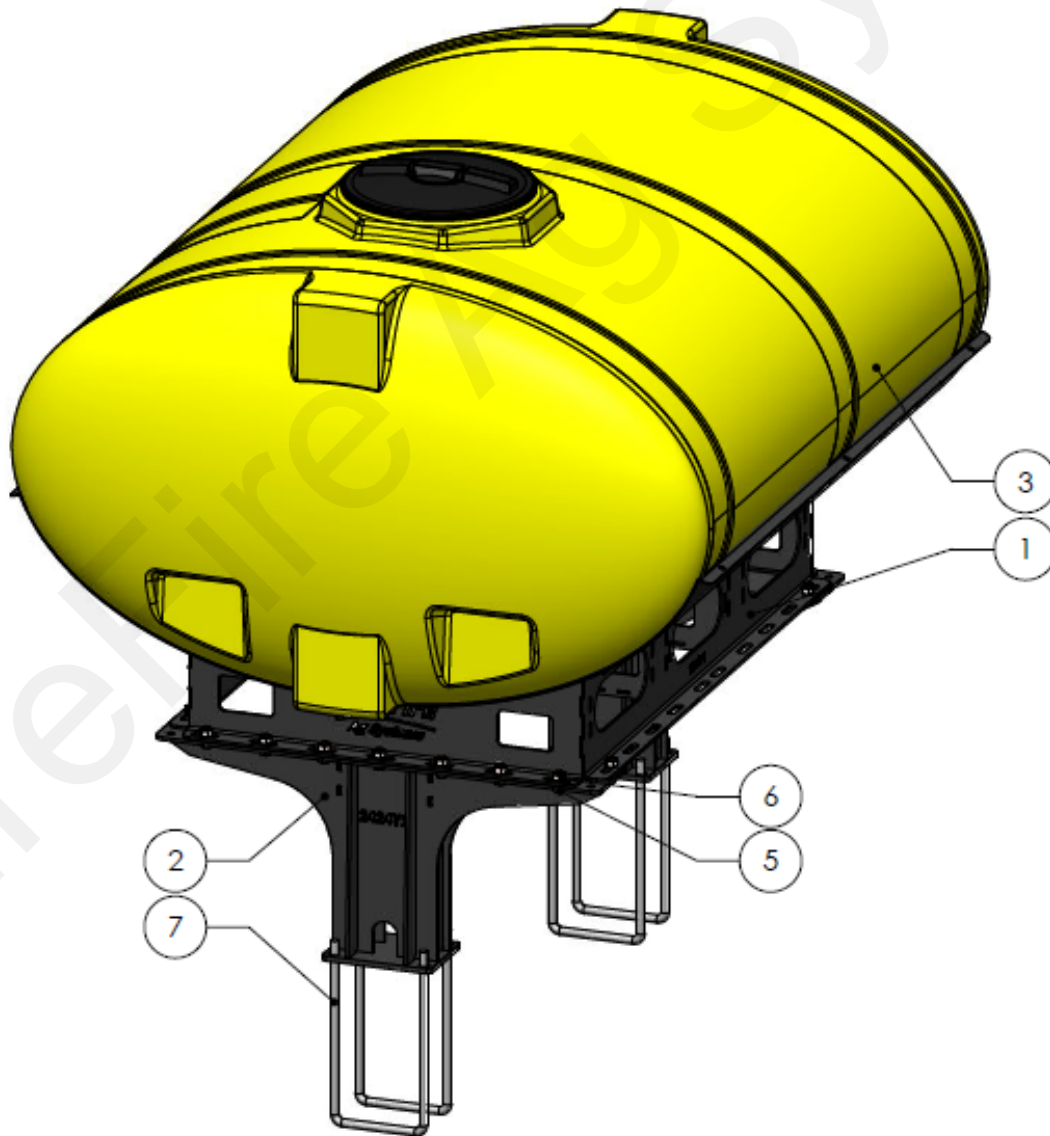
ITEM NO.	PART NUMBER	DESCRIPTION	QTY.
1	421-4105Y1	600 Gallon Elliptical Tank Cradle	1
2	421-2424Y2	600/750 Gallon Tank Pedestal	2
3	727-01-HE0600-64-CS-Y	600 Gallon Elliptical Tank - Yellow	1
4	300-100108-5	5/8" x 1-1/2" HCS	12
5	330-10	5/8" Flat Washer	12
6	323-10	5/8" Flange Nut	12
7	380-1067	3/4" U-bolt Kit - fits 8" x 16" tube	4
8	525-750	3" Tank Strap Kit	3





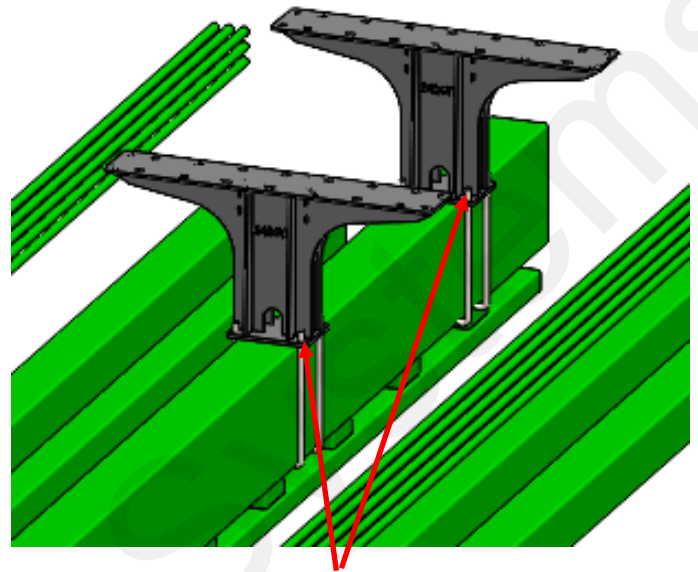
Parts List and Exploded View 530-01-450775

ITEM NO.	PART NUMBER	DESCRIPTION	QTY.
1	421-2364Y1	750 Gallon Elliptical Tank Cradle	1
2	421-2424Y2	600/750 Gallon Tank Pedestal	2
3	727-01-HE0750-69-OS-Y	750 Gallon Elliptical Tank - Yellow	1
4	330-10	5/8" Flat Washer	18
5	300-100108-5	5/8" x 1-1/2" HCS	18
6	323-10	5/8" Flange Nut	18
7	380-1067	3/4" U-bolt Kit - fits 8" x 16" tube	4
8	525-750	3" Tank Strap Kit	3

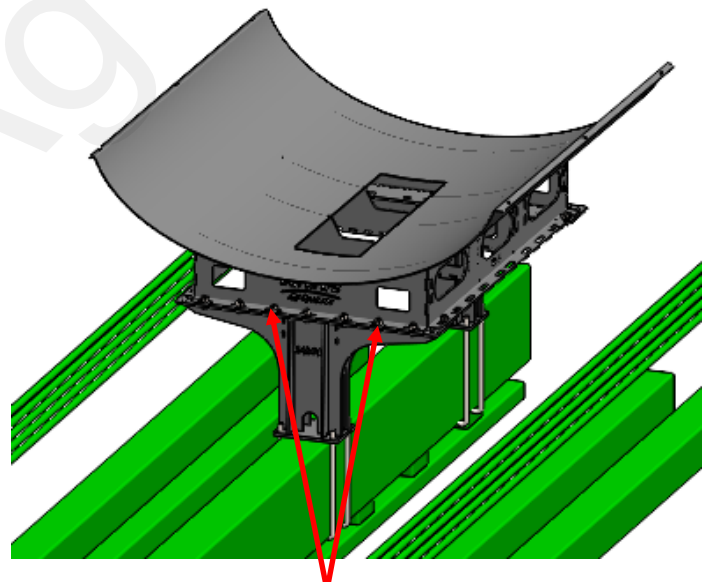


Step by Step Instructions

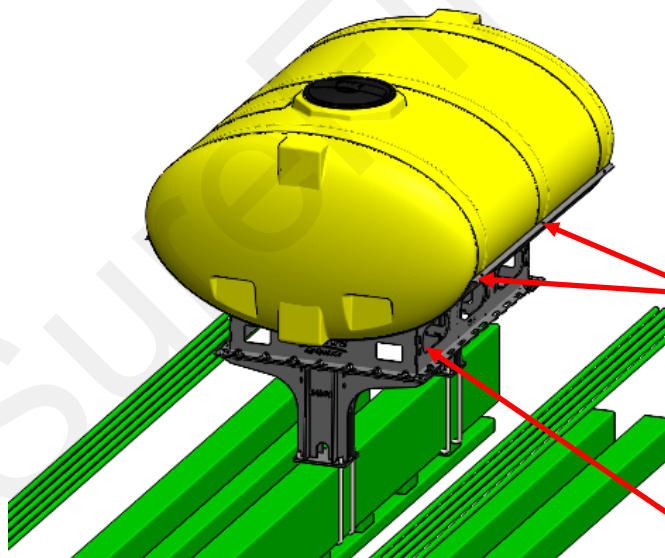
1. Place the 2424Y1 pedestals on the main hitch bar. Loosely bolt the pedestals to the hitch using the provided U-Bolts.
2. Place the tank cradle on top of the pedestals and loosely bolt them together using the provided 5/8" hardware.
3. Place the tank in the cradle, line the tank strap grooves up with the hole pattern in the cradle. Using the provided tank strap kits, tighten the tank down to the cradle. Be sure that tank has proper clearance from all obstructions towards the rear of the planter (CCS tanks, CCS fan).
4. Tighten down the 5/8" cradle hardware, followed by the U-Bolts. Be sure to get them as tight as possible.
5. Tighten the tank straps once more after the first filling.
6. Vacuum gauge extension bracket, see optional instructions on page 6.



Step 1



Step 2



Step 3

Opt. Step 6



Optional Vacuum Gauge Bracket Installation Instructions

The CCS vacuum gauge must be moved so it can be seen with the tank installed.

Instructions:

1. Remove gauge from current mount (easiest before tank is installed)
2. Mount 422-2678Y1 gauge bracket to tank cradle using 3/8" bolts and flange nuts.
3. Extend vacuum hose to new gauge location using 1/4" hose mender and 3/8" OD poly tubing, Part Number 521-00-100255.
4. Mount vacuum gauge to new bracket using existing hardware.

