

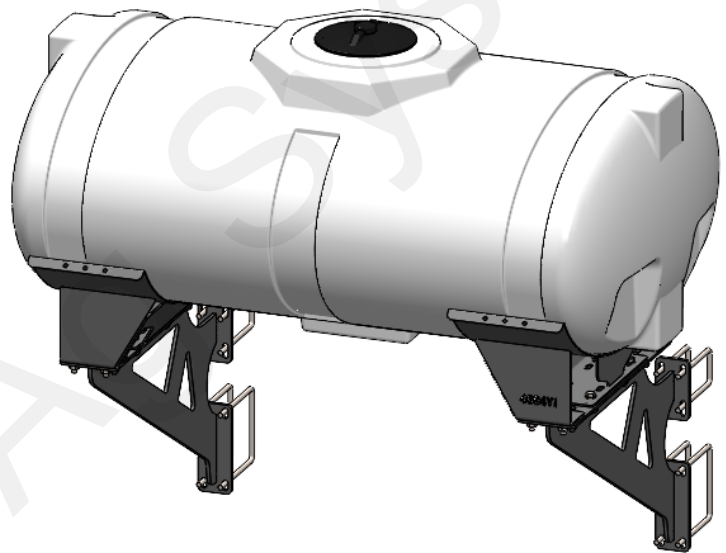


396-5037Y1

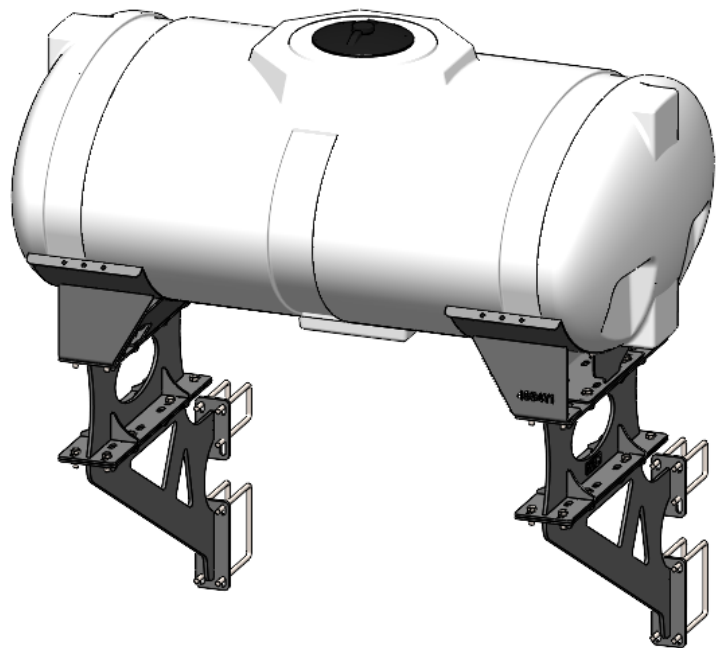
Kinze 4905 24R Row Box/Bulk Fill Wing Mount Tank Kit Mounting Instructions

Planter Manufacturer: **KINZE**

Kit Number: 530-03-425050
Description: Kinze 4905 24R
Bulk Fill Wing Mount Tank Kit



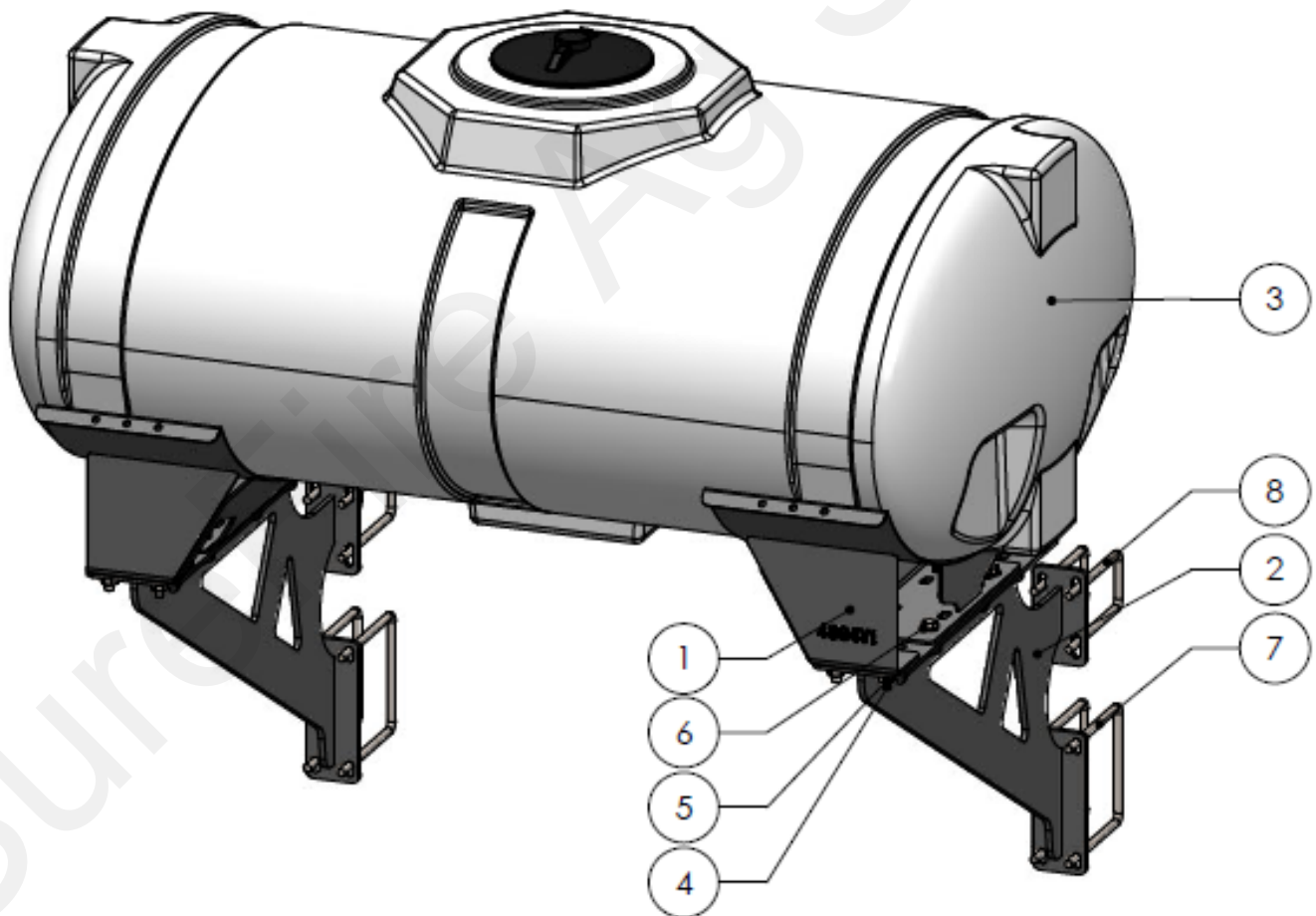
Kit Number: 530-03-425025
Description: Kinze 4905 24R
Row Box Wing Mount Tank Kit





Parts List and Exploded View 530-03-425050

ITEM NO.	PART NUMBER	DESCRIPTION	QTY.
1	420-4694Y1	200 Gallon Tank Saddle	2
2	420-4596Y1	SureFire Ag 24R Wing Tank - Bulk Fill Tank Bracket	2
3	727-01-HE0200-41-W	Elliptical Tank - 200 Gal - White	1
4	300-080108-5	1/2" x 1-1/2" Hex Head Bolt - G5	16
5	323-08	1/2" Flange Nut	16
6	330-08	1/2" Flat Washer	16
7	380-1001	1/2" U-bolt Kit - fits 7" x 7" tube - (7" opening)	4
8	380-1034	1/2" U-bolt Kit - fits 3" x 7" tube (3" opening)	4
9	525-2055	2" Tank Strap Kit	2

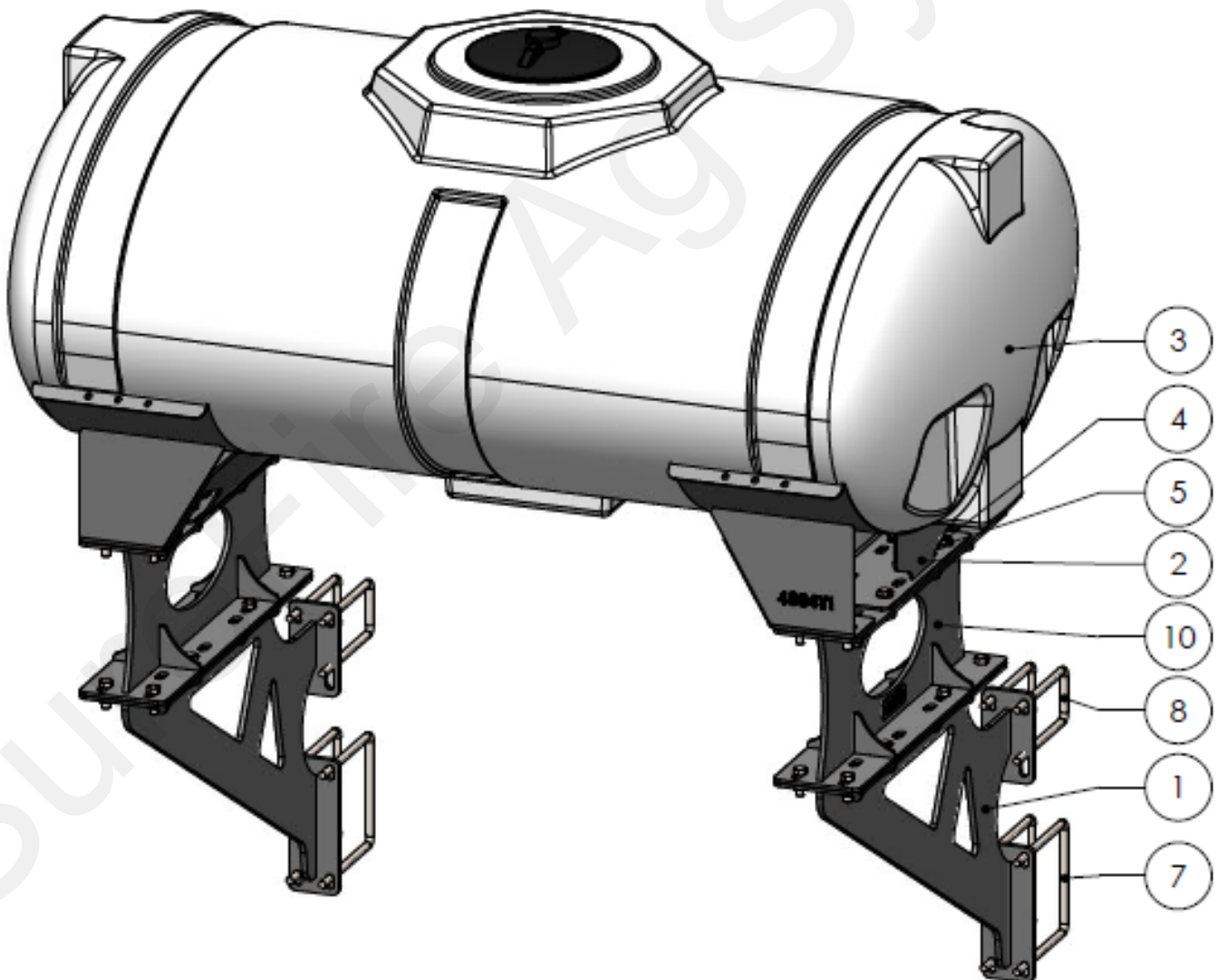




Parts List and Exploded View

530-03-425025

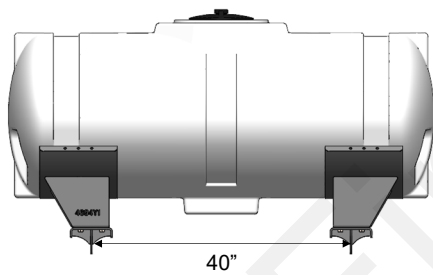
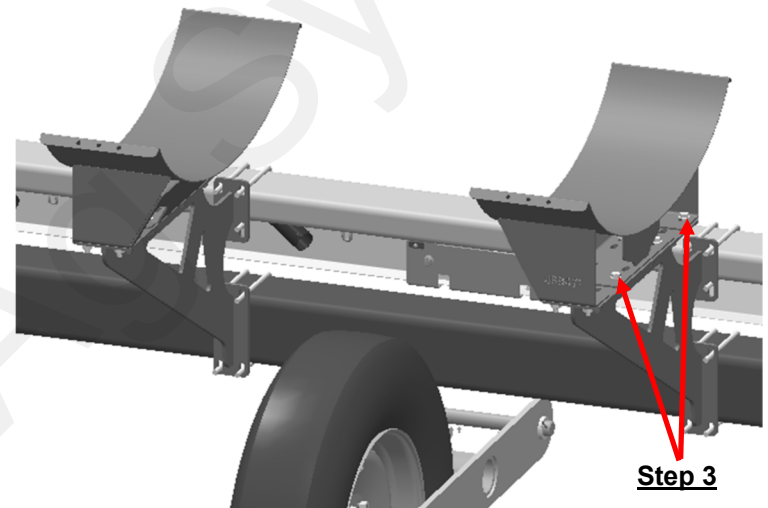
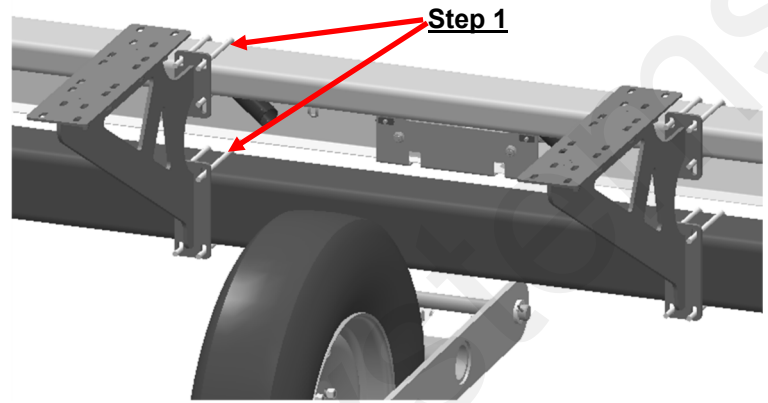
ITEM NO.	PART NUMBER	DESCRIPTION	QTY.
1	420-4596Y1	SureFire Ag 24R Wing Tank - Bulk Fill Tank Bracket	2
2	420-4694Y1	200 Gallon Tank Saddle	2
3	727-01-HE0200-41-W	Elliptical Tank - 200 Gal - White	1
4	300-080108-5	1/2" x 1-1/2" Hex Head Bolt - G5	24
5	330-08	1/2" Flat Washer	24
6	323-08	1/2" Flange Nut	24
7	380-1001	1/2" U-bolt Kit - fits 7" x 7" tube - (7" opening)	4
8	380-1034	1/2" U-bolt Kit - fits 3" x 7" tube (3" opening)	4
9	525-2055	2" Tank Strap Kit	2
10	420-4598Y1	SureFire Ag 24R Wing Tank - Row Box Riser Bracket	2



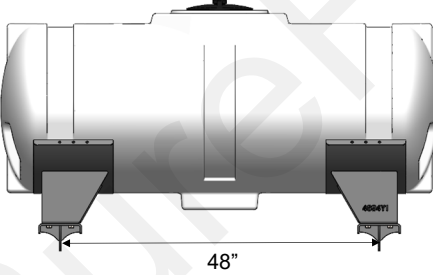


Step by Step Instructions

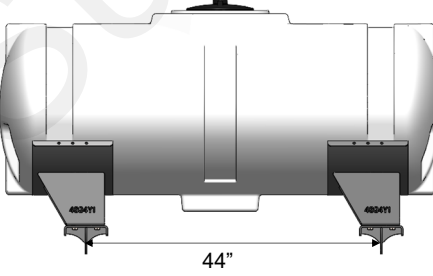
1. Loosely bolt the 4596Y1 brackets to the two wing bars facing rearward. Use the 380-1034 U-Bolts for the top bar and the 380-1001 U-Bolts for the bottom bar. Bolt the brackets between the 2nd and 3rd row and the 4th and 5th row on each wing. The brackets need to sit approximately 48" apart.
2. If you have markers on your planter move the marker stops as far to the inside of the planter as you can get them. This is critical to help with tank clearance from the markers.
3. Loosely bolt the tank saddles to the brackets using the 1/2" bolts, washers, and nuts. Point the tank saddles toward the center of the tank to ensure the assembly is in its widest configuration (reference dimensioned pictures below).
4. Place the tank in the saddles and line the tank strap grooves up with the hole pattern in the saddles. Use the tank strap kits to tighten the tank down to the saddles. Tighten the 1/2" saddle hardware and the U-Bolts.
5. Tighten tank straps after first filling.



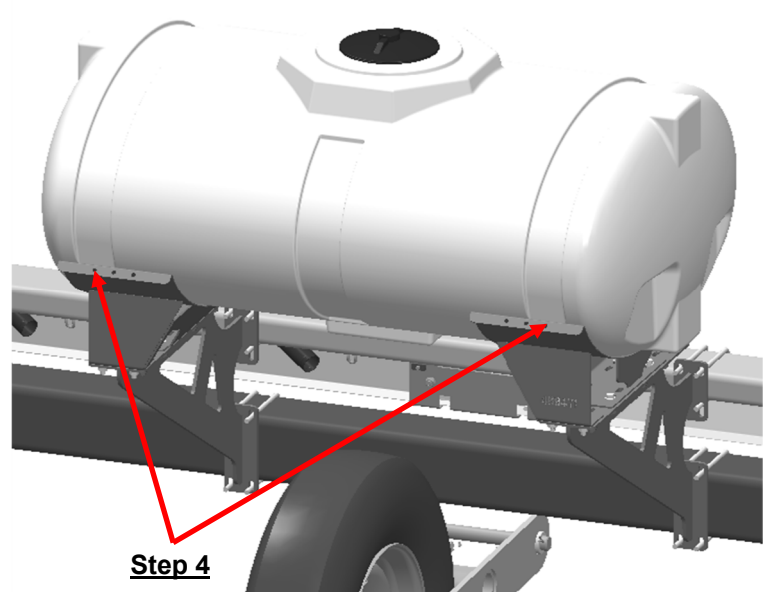
Saddle Configuration # 1



Saddle Configuration # 2



Saddle Configuration # 3



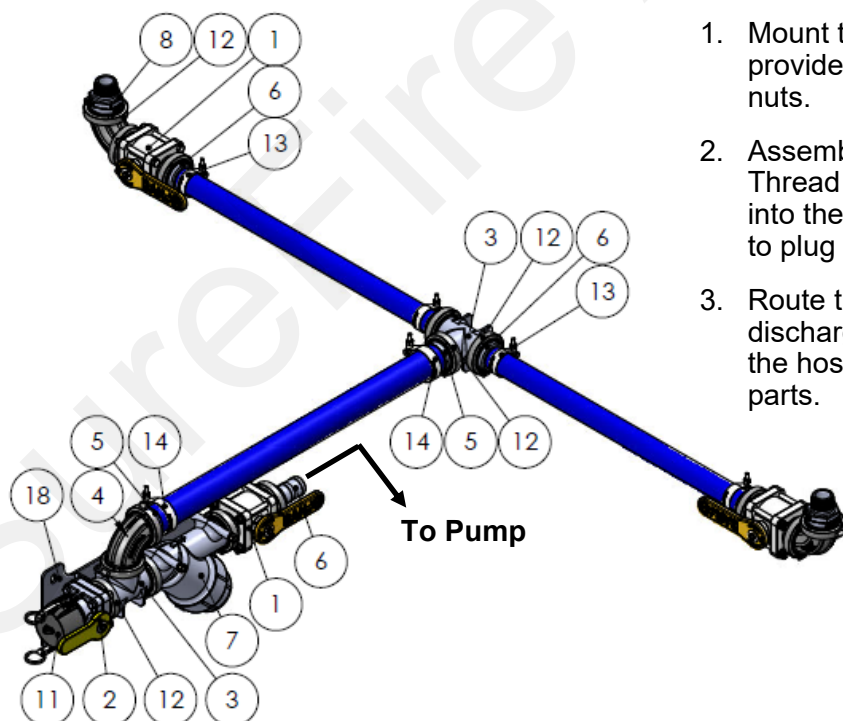


Fill/Discharge Kit

Kit Number: 520-00-250400

Description: Kinze 4905 (16R/24R) Wing Tank Fill/Discharge Kit

ITEM NO.	PART NUMBER	DESCRIPTION	QTY.
1	102-200MVCF	2" Manifold Ball Valve	3
2	102-200VSFCF	200 Series Manifold x 2" Male Quick Coupler Std Port Valve	1
3	105-200TEE	2" Flanged Tee Fitting	2
4	105-200SWP90	2" Manifold Sweep - 90 Degree	3
5	105-200BRB	2" Manifold x 2" HB	3
6	105-200150BRB	2" Manifold X 1-1/2" Barb	5
7	109-200MLS-20M	2" Manifold Y Strainer - 20 Mesh	1
8	105-200125MPT	2" Manifold x 1-1/4" MPT	2
9	280-200-ENF	2" Enforcer Fertilizer Solution Hose (ft)	10
10	280-150-ENF	1-1/2" Enforcer Fertilizer Solution Hose (ft)	60
11	106-200CAP	2" Cap	1
12	105-FC200	2" Manifold Clamp	15
13	350-TC181	T-Bolt Hose Clamp - fits 1-1/2" Enforcer	4
14	350-TC231	T-Bolt Hose Clamp - fits 2" Enforcer	2
15	330-05	5/16" Flat Washer	2
16	300-050508-5	5/16" x 5-1/2" Hex Head Bolt - G5	2
17	323-05-SS	5/16" Flange Nut SS	2
18	435-4974Y1	Kinze 4905 Bulk Fill Stair Fill Kit Mounting Bracket	1
19	105-150G-H	1-1/2" Gasket for 200 Manifold Fittings	15
20	100-125PLUG	1-1/4" Plug	2
21	300-050508-5	5/16" x 5-1/2" Hex Head Bolt - G5	2
22	323-05	5/16" Flange Nut	2
23	330-05	5/16" Flat Washer	2



1. Mount the 435-4974Y1 bracket to the holes provided in the stairs using the 3/8" x 1" bolts and nuts.
2. Assemble the fill/discharge kit as shown below. Thread the correct size pipe threaded manifold into the bottom tank bung. Use the provided plug to plug the second bung.
3. Route the 2" enforcer hose from the fill port to the discharge kit under the tank. Make sure to keep the hose away from row units and any moving parts.

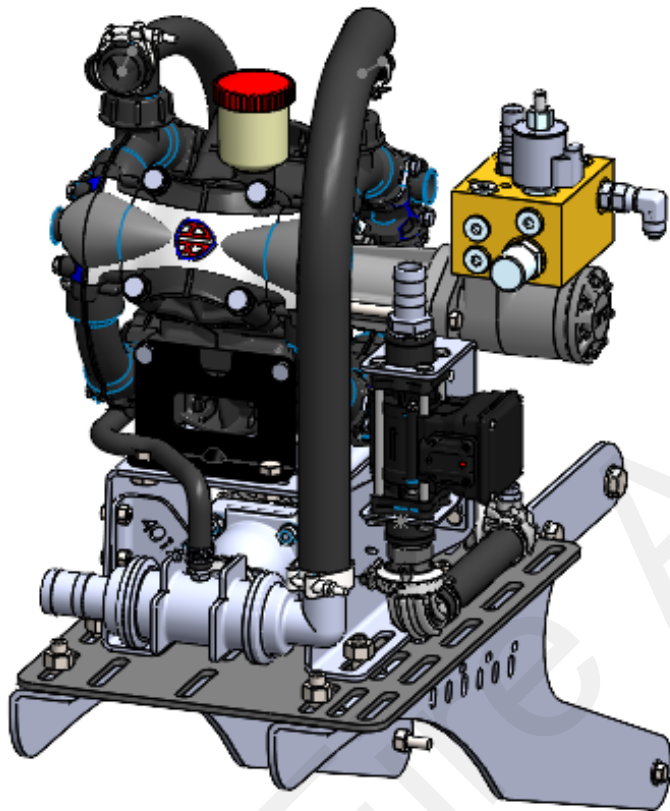


Over the Tire Pump Mounting Kit

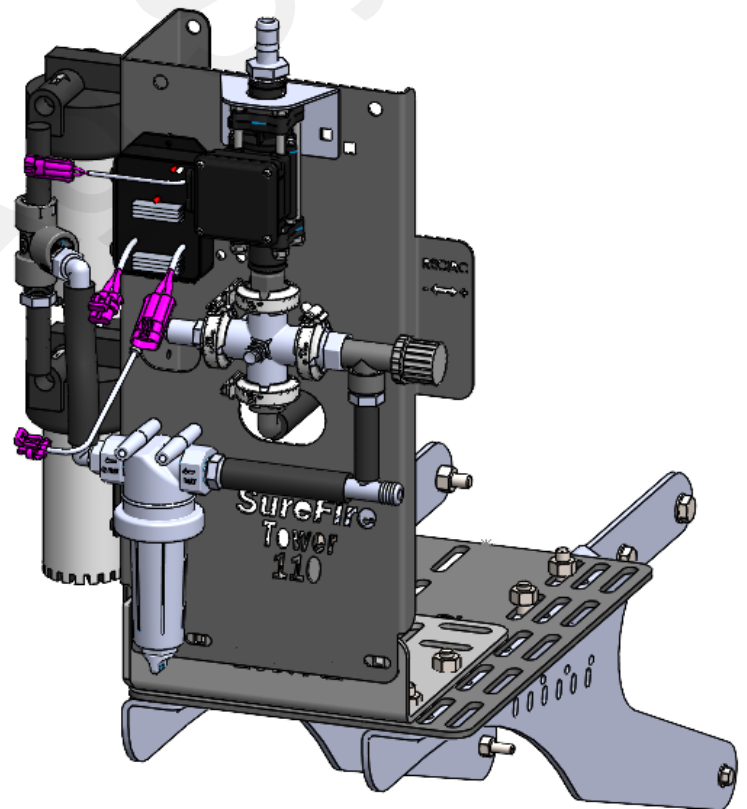
Kit Number: 515-201310

Description: Kinze 4905 24R Over the Tire Pump Mounting Kit

Instruction Sheet: 396-2937Y1



PumpRight



Tower