



# 396-5036Y1

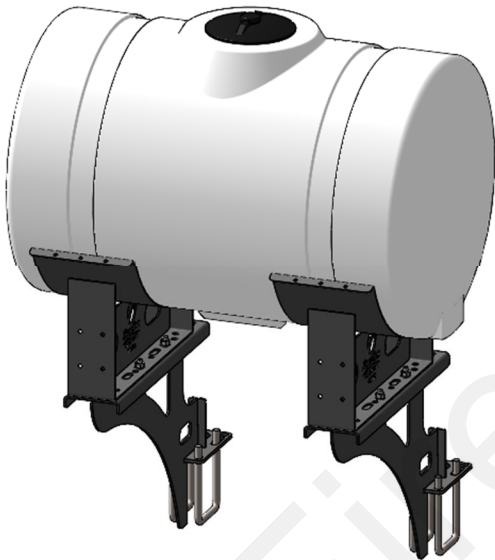
## Kinze 3665 Wing Tank Mounting Instructions

Planter Manufacturer: **KINZE**

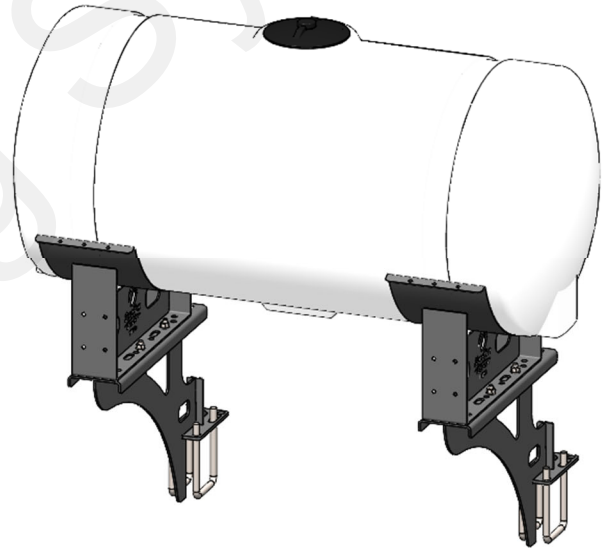
Kit Number: 530-03-320150 (150 Gallon Round)

Kit Number: 530-03-320200 (200 Gallon Round)

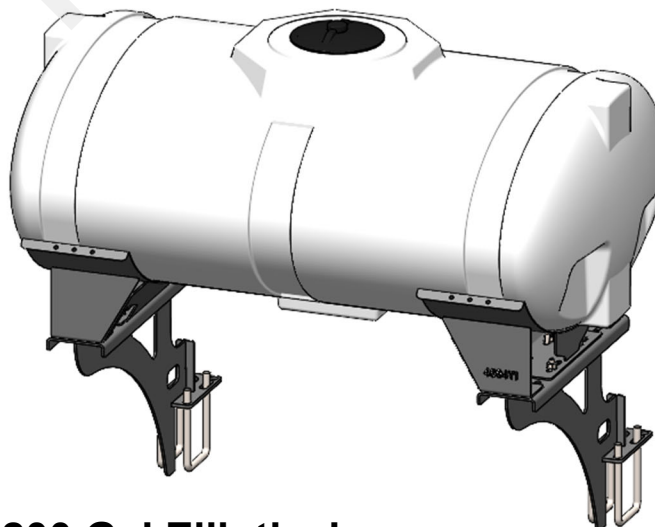
Kit Number: 530-03-320210 (200 Gallon Elliptical)



**150 Gal Round**



**200 Gal Round**



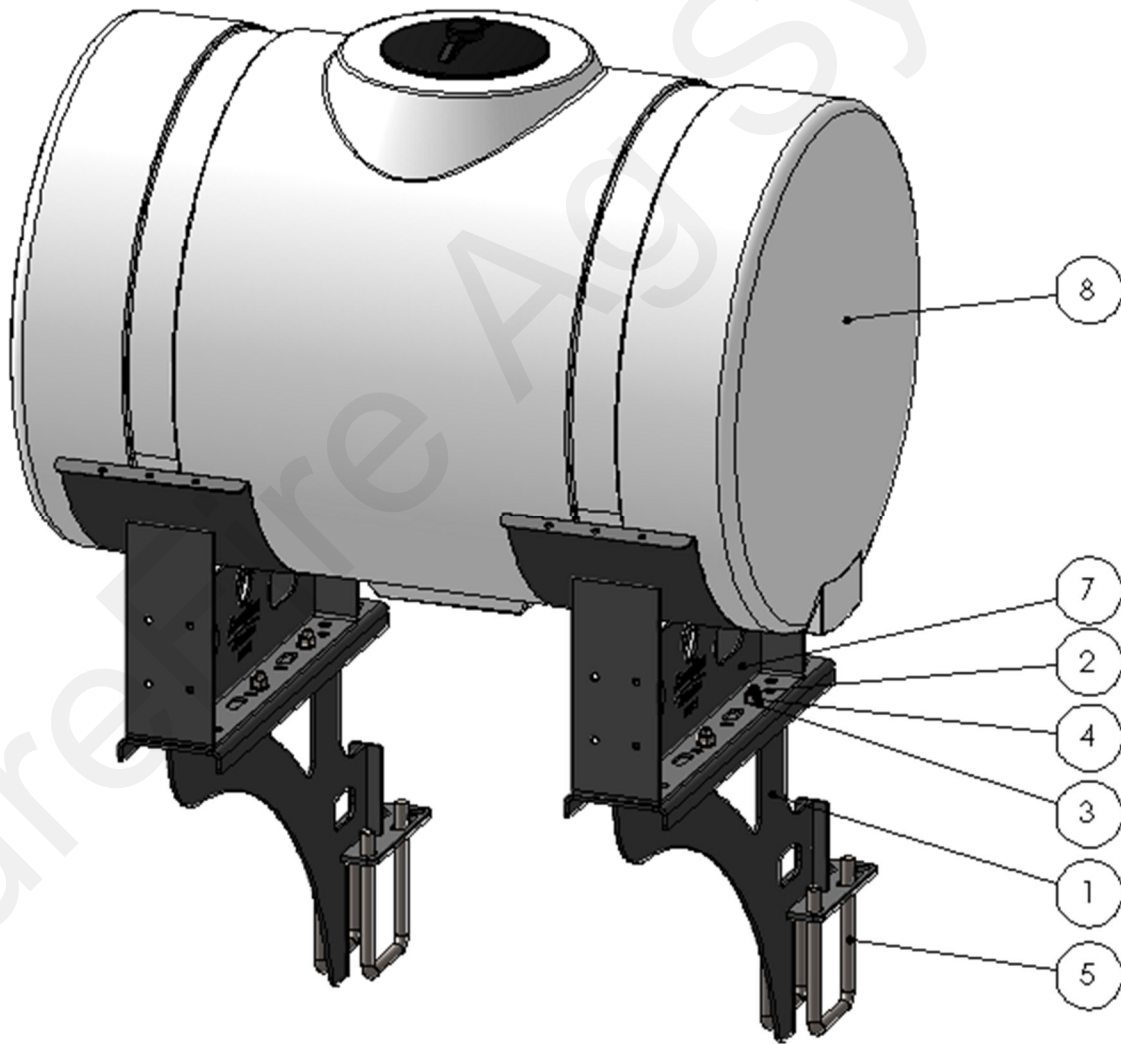
**200 Gal Elliptical**



# Parts List and Exploded View

## 530-03-320150

ITEM NO.	PART NUMBER	DESCRIPTION	QTY.
1	420-4724Y1	Kinze 16R Wing Mount Tank Bracket - Weldment	2
2	300-080108-5	1/2" x 1-1/2" Hex Head Bolt - G5	8
3	330-08	1/2" Flat Washer	8
4	323-08	1/2" Flange Nut	8
5	380-1074	3/4" U-bolt Kit - fits 4" x 7" tube (4" opening)	4
6	525-2055	2" Strap Kit for Tanks under 300 Gallon	2
7	420-1107A1	32" Tank Saddle	2
8	727-02-HZ0150-32-W	Horizontal Tank - 150 Gal - White - 32" x 52"	1

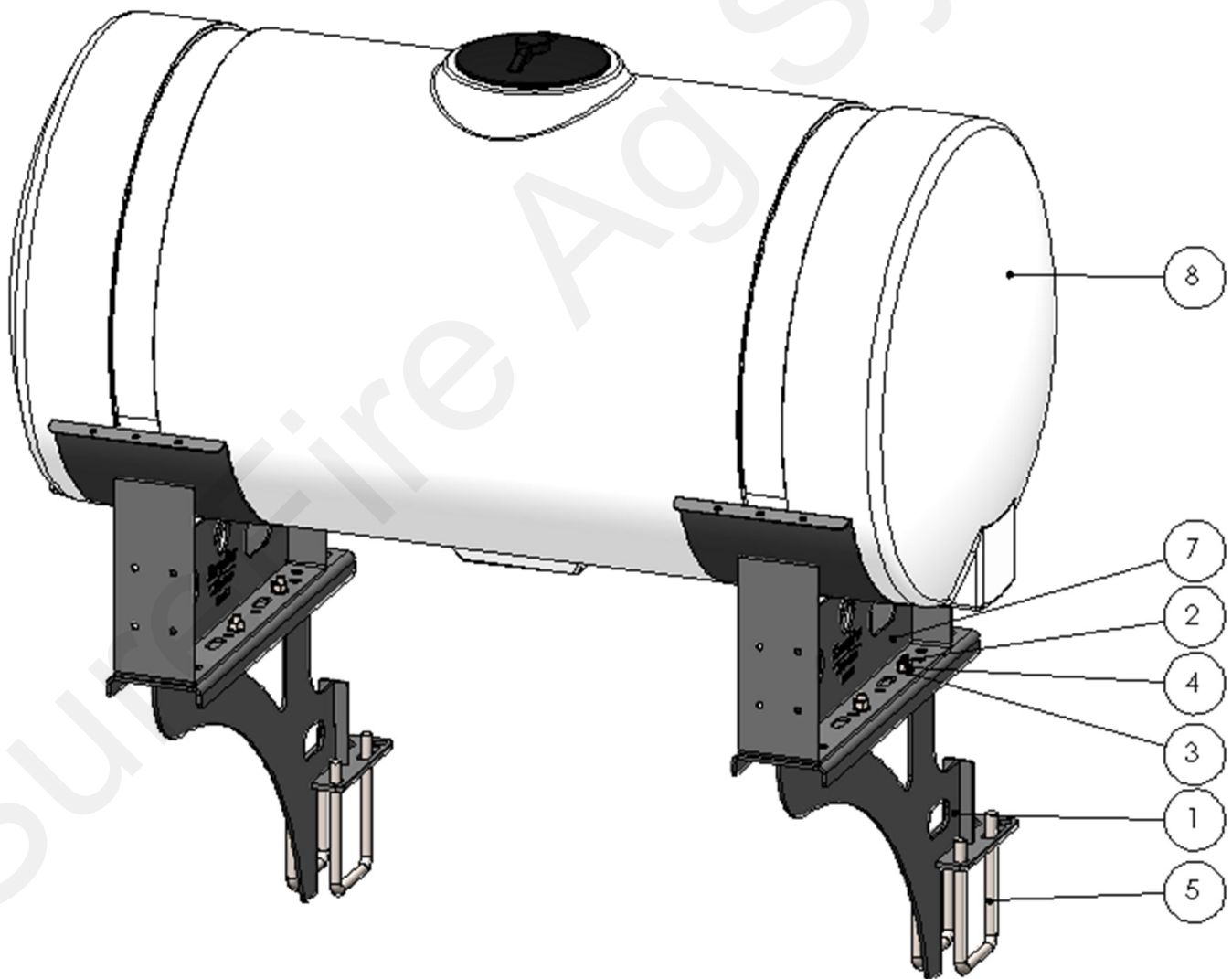




# Parts List and Exploded View

## 530-03-320200

ITEM NO.	PART NUMBER	DESCRIPTION	QTY.
1	420-4724Y1	Kinze 16R Wing Mount Tank Bracket - Weldment	2
2	300-080108-5	1/2" x 1-1/2" Hex Head Bolt - G5	8
3	330-08	1/2" Flat Washer	8
4	323-08	1/2" Flange Nut	8
5	380-1074	3/4" U-bolt Kit - fits 4" x 7" tube (4" opening)	4
6	525-2055	2" Strap Kit for Tanks under 300 Gallon	2
7	420-1107A1	32" Tank Saddle	2
8	727-02-HZ0200-32-W	Horizontal Tank - 200 Gal - White - 32" x 68"	1

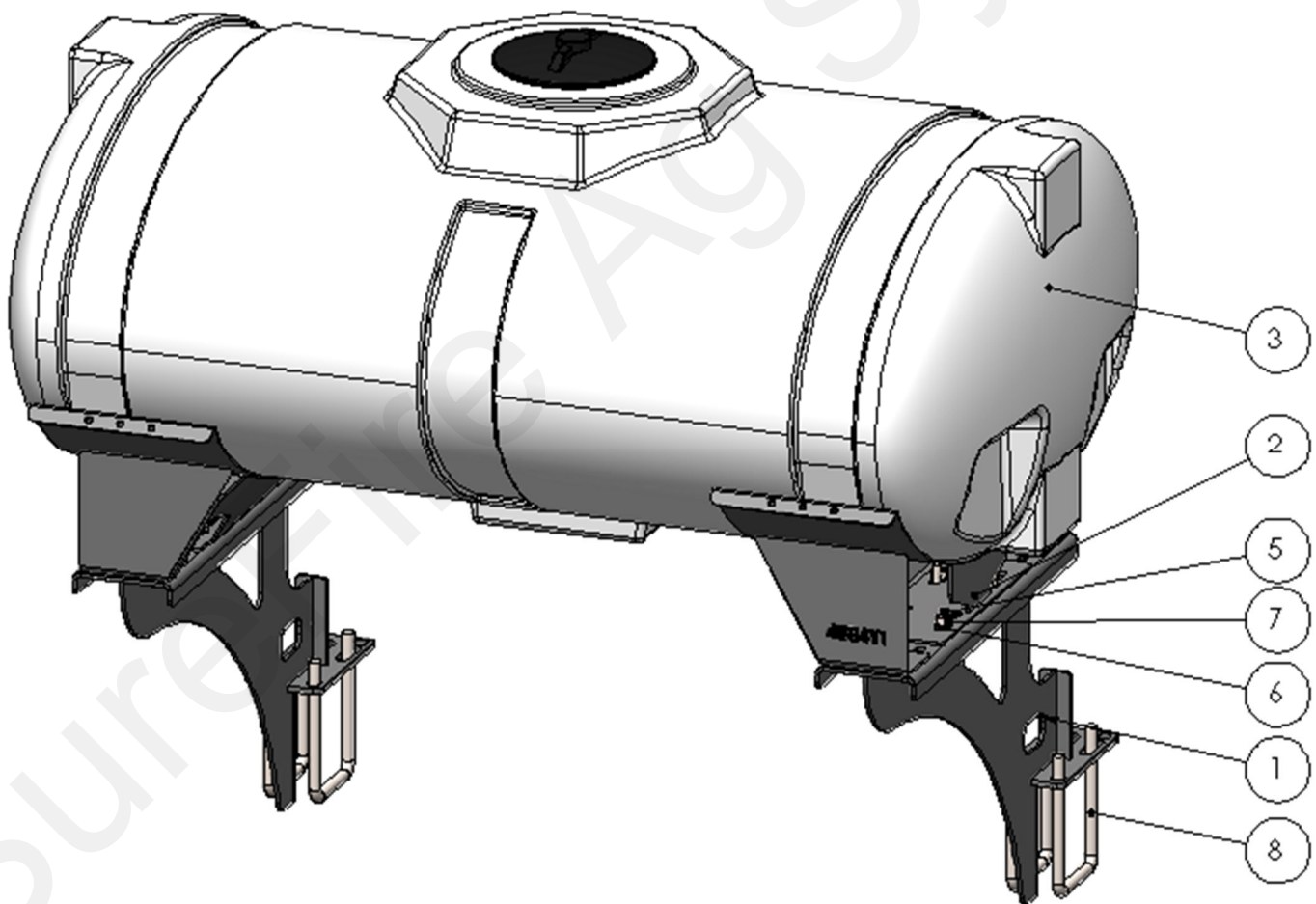




# Parts List and Exploded View

## 530-03-320210

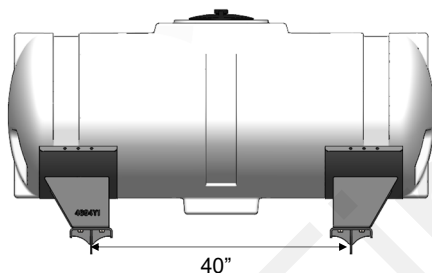
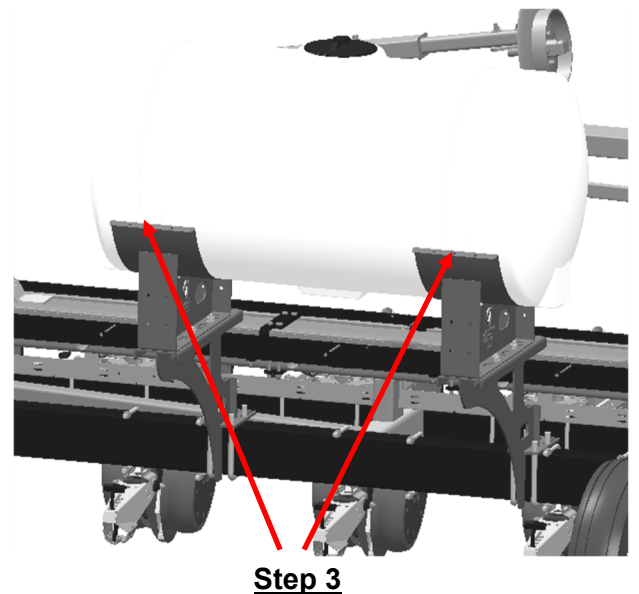
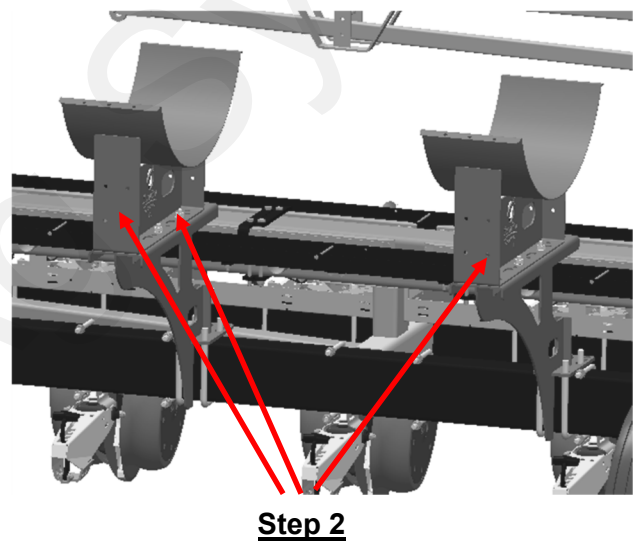
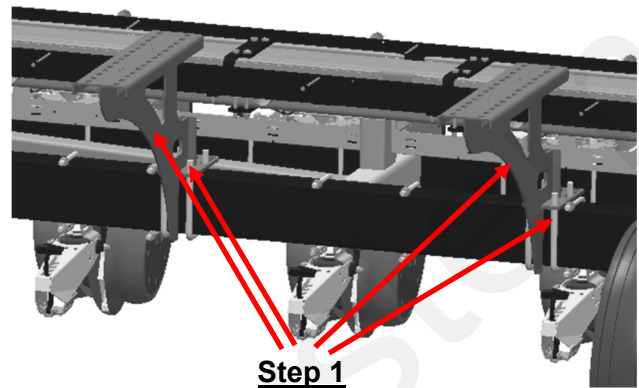
ITEM NO.	PART NUMBER	DESCRIPTION	QTY.
1	420-4724Y1	Kinze 16R Wing Mount Tank Bracket - Weldment	2
2	420-4694Y1	Tank Saddle Weld Assembly for 200 Gal Elliptical Tank	2
3	727-01-HE0200-41-W	Elliptical Tank - 200 Gal - White	1
4	525-2055	2" Strap Kit for Tanks under 300 Gallon	2
5	300-080108-5	1/2" x 1-1/2" Hex Head Bolt - G5	16
6	330-08	1/2" Flat Washer	16
7	323-08	1/2" Flange Nut	16
8	380-1074	3/4" U-bolt Kit - fits 4" x 7" tube (4" opening)	4



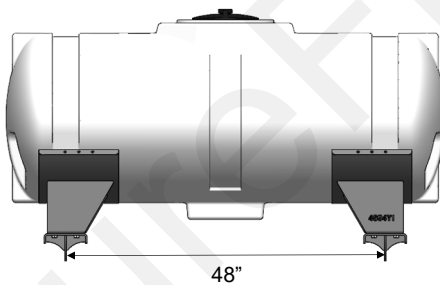


# Step by Step Instructions

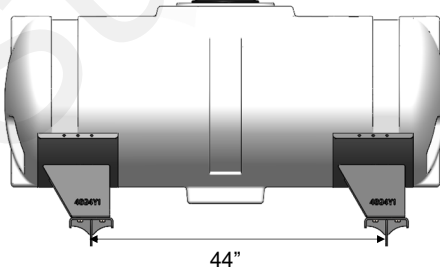
1. Loosely bolt 4724Y1 pedestals to the rear bar using the 380-1074 U-Bolts. Face the pedestals towards the rear of the planter. Be sure to straddle the third and fourth row units (3 & 4, 13 & 14) on the outside of the wings when using the elliptical tank. Straddle the third row unit when using round tanks.
2. Using the 1/2" Bolts, nuts, and washers, loosely bolt the 1107A1 saddles to the pedestals (4694Y1 if you have elliptical tanks). The 4694Y1 saddles can be mounted in several different configurations (see below) change the footprint of the kit.
3. Place the tank in the saddles, lining the tank strap grooves with the hole pattern in the saddle (make sure tank sits straight in the saddles). Use the tank straps to tighten the tank down to the saddles.
4. Tighten the U-Bolts on the bar and the 1/2" saddle mounting bolts.



Elliptical Configuration # 1



Elliptical Configuration # 2



Elliptical Configuration # 3



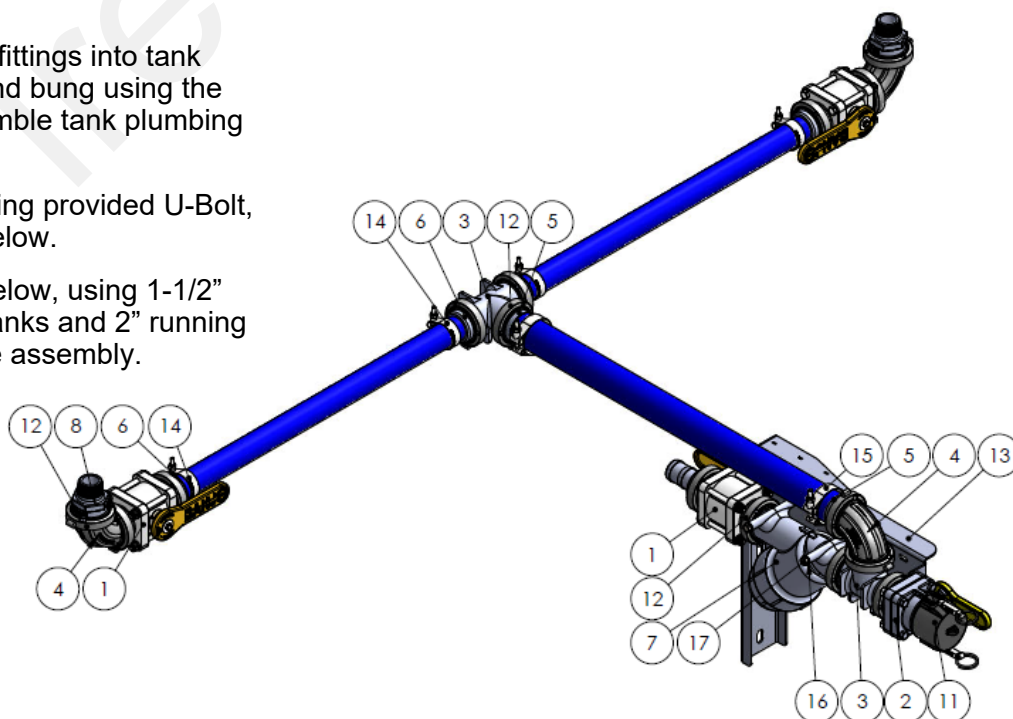


# Fill Kit

## Kit Description: Kinze 3605/3665 16R Wing Tank Fill/Discharge Kit Kit Number: 520-00-250350

ITEM NO.	PART NUMBER	DESCRIPTION	QTY.
1	102-200MVCF	2" Manifold Ball Valve	3
2	102-200VSFCF	200 Series Manifold x 2" Male Quick Coupler Std Port Valve	1
3	105-200TEE	2" Flanged Tee Fitting	2
4	105-200SWP90	2" Manifold Sweep - 90 Degree	3
5	105-200BRB	2" Manifold x 2" HB	2
6	105-200150BRB	2" Manifold X 1-1/2" Barb	5
7	109-200MLS-20M	2" Manifold Y Strainer - 20 Mesh	1
8	105-200125MPT	2" Manifold x 1-1/4" MPT	2
9	280-200-ENF	2" Enforcer Fertilizer Solution Hose (ft)	10
10	280-150-ENF	1-1/2" Enforcer Fertilizer Solution Hose (ft)	60
11	106-200CAP	2" Cap	1
12	105-FC200	2" Manifold Clamp	15
13	400-5042Y1	Universal Bar Mounted Fill Kit Bracket	1
14	350-TC181	T-Bolt Hose Clamp - Fits 1-1/2" Enforcer	5
15	350-TC231	T-Bolt Hose Clamp - Fits 2" Enforcer	2
16	330-05	5/16" Flat Washer	2
17	300-050508-5	5/16" x 5-1/2" Hex Head Bolt - G5	2
18	323-05	5/16" Flange Nut	2
19	380-1012	1/2" U-Bolt Kit - fits 7" x 4" tube - (7" opening)	1

1. Thread 105-200125MPT fittings into tank bungs and plug the second bung using the 3/4" threaded plug. Assemble tank plumbing as shown below.
2. Bolt bracket to the bar using provided U-Bolt, assemble kit as shown below.
3. Route hoses as shown below, using 1-1/2" enforcer to come out of tanks and 2" running from the fill port to the tee assembly.



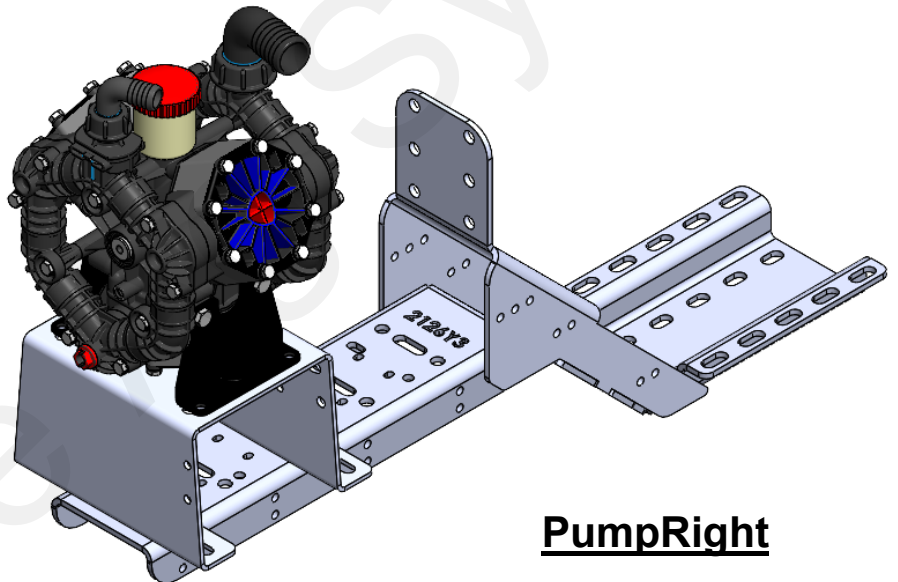


# Pump Mounting

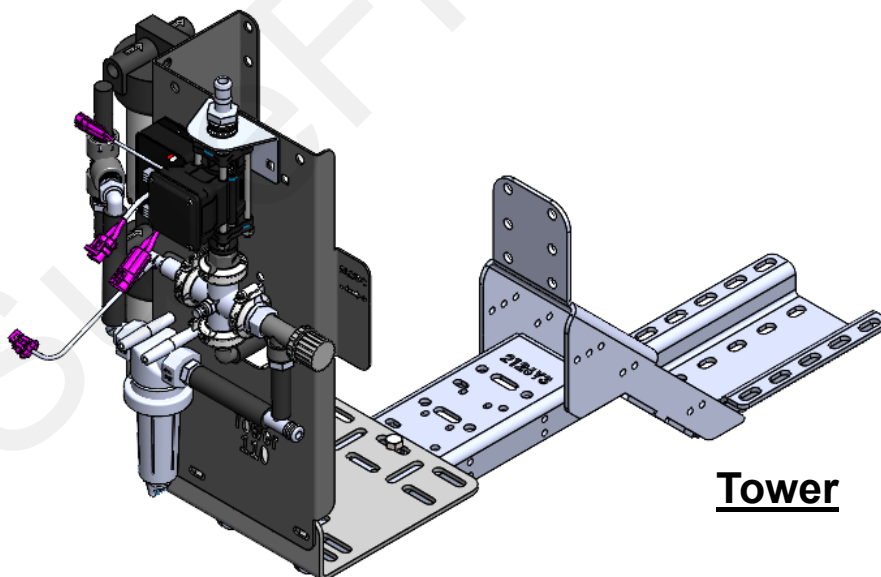
## Kit Description: Between Row Mount Kit for Up to 7x7 Bar Kit Number: 515-201600

ITEM NO.	PART NUMBER	DESCRIPTION	QTY.
1	400-2126Y3-BK	Between Row Mounting Bracket	1
2	300-080108-5	1/2" x 1-1/2" Hex Head Bolt - G5	4
3	323-08	1/2" Flange Nut	4
4	380-1039	1/2" U-Bolt Kit - fits 4" x 7" tube - (4" opening)	2

1. Mount bracket to the bar using the 380-1039 U-Bolts. For row box planter mount pump mounting bracket to top bar to ensure proper clearance.
2. Place your pump onto the bracket, use the 1/2" bolts and nuts to fasten it to the bracket.
3. Check around the bracket and pump for obstructions into the rows. Tighten bolts and U-Bolts.



**PumpRight**



**Tower**

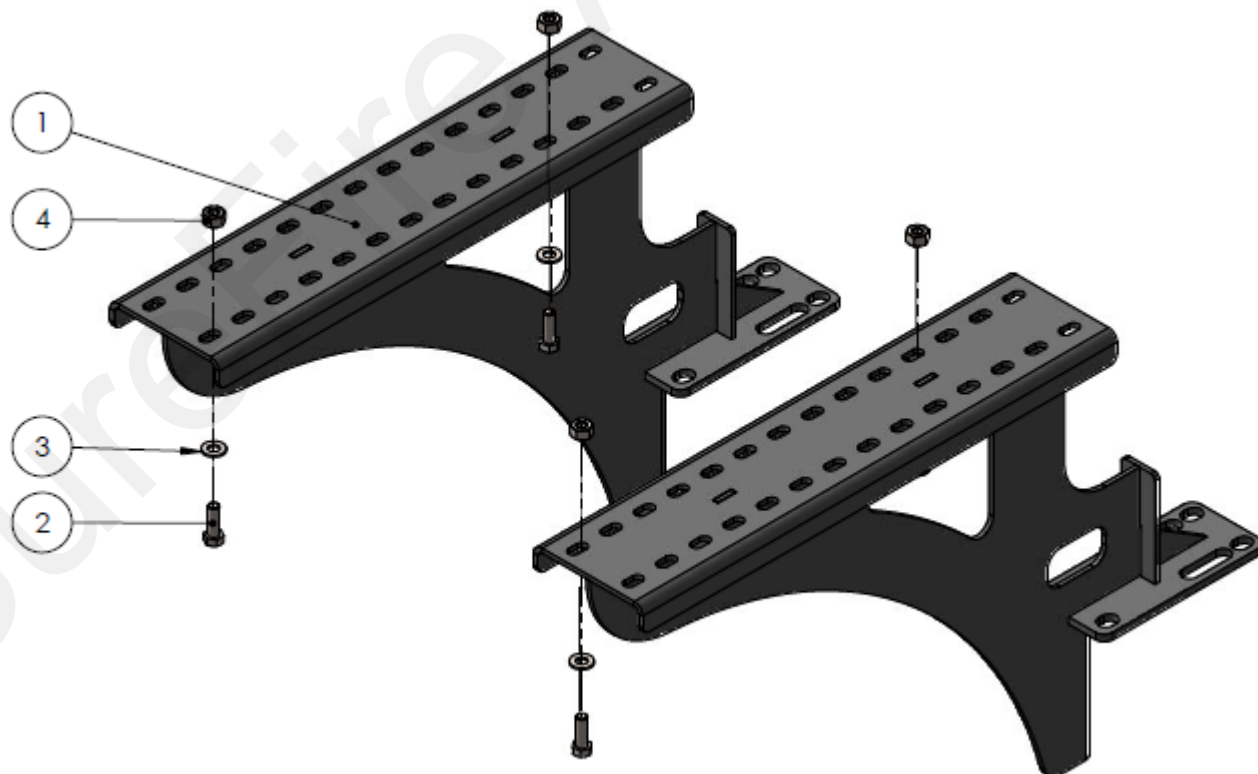


# Accelerator Mounting

**Kit Description: Accelerator Mounting Kit for Kinze 3605/3665**  
**Kit Number: 530-03-350100**

ITEM NO.	PART NUMBER	DESCRIPTION	QTY.
1	400-4724Y1-BK	Between Row Mounting Bracket	2
2	300-080108-5	1/2" x 1-1/2" Hex Head Bolt - G5	4
3	330-08	1/2" Flat Washer	4
4	323-08	1/2" Flange Nut	4
5	380-1074	3/4" U-Bolt Kit - fits 4" x 7" tube - (4" opening)	4

1. Loosely bolt 420-4724Y1 brackets to the bar using the provided U-Bolts. Refer to next page for Accelerator dimensions to find the required bracket footprint for your tank.
2. Place Accelerator assembly on mounting brackets, use 1/2" bolts, washers, and nuts to fasten the tank to the brackets.
3. Tighten mounting bolts and U-Bolts.







# THE ACCELERATOR

BY SUREFIRE AG SYSTEMS

## General Dimensions SureFire Accelerator Tanks

