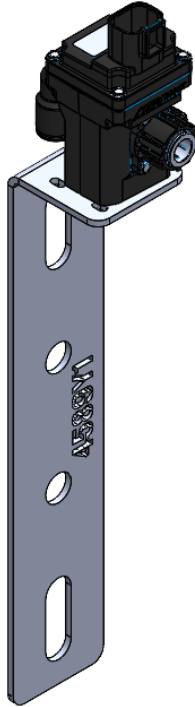


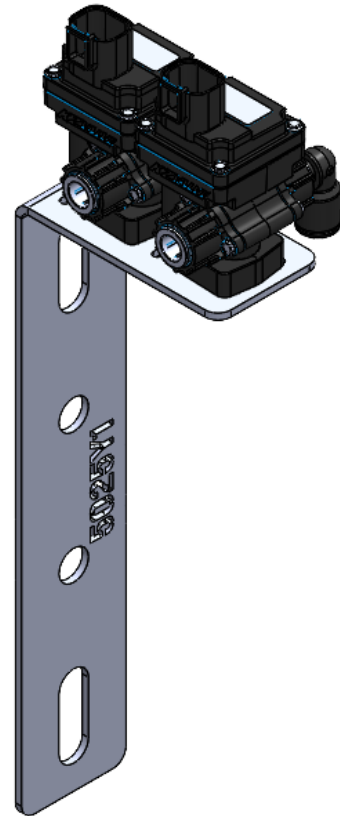


# 396-5026Y1

## Gen3 LiquiShift Zip Valve Toolbar Mounting Bracket Instructions



**Kit Number: 515-01-300300**  
**Gen3 Zip Valve Toolbar  
Mounting Bracket**



**Kit Number: 515-01-300350**  
**Gen3 Zip Valve Toolbar Mounting  
Bracket - Dual Product**



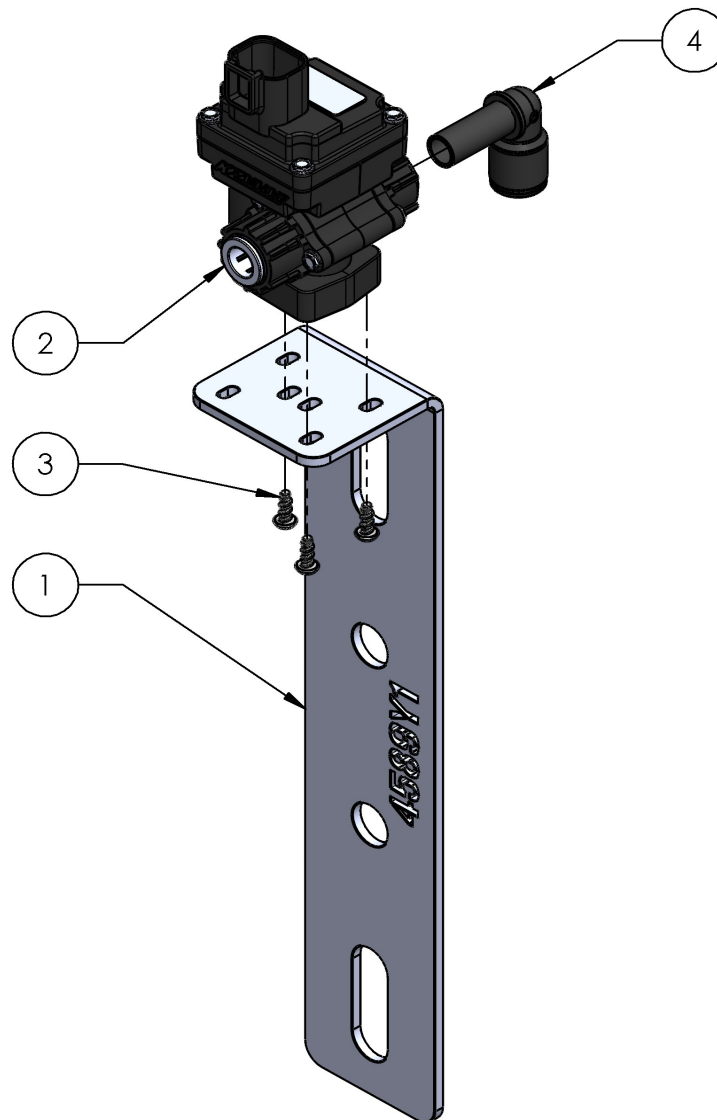
# Parts List and Exploded View

## 515-01-300300

### Single Zip Valve

ITEM NO.	PART NUMBER	DESCRIPTION	QTY.
1	400-4589Y1	Gen3 Zip Valve Toolbar Mounting Bracket	2
2	103-4496Y1/103-5016Y1	Zip Valve 1/4" Nylon, 2-way, SS Ball, 3/8" Push to Connect, Deutsch Connector	2
3	757-97349A200	Size 6 Thread Forming Screw for Plastic - SS	7
4	113-12-038038	Black Composite Stem Elbow - 3/8" Stem x 3/8"	2

*\*Each kit includes parts for mounting two zip valves*





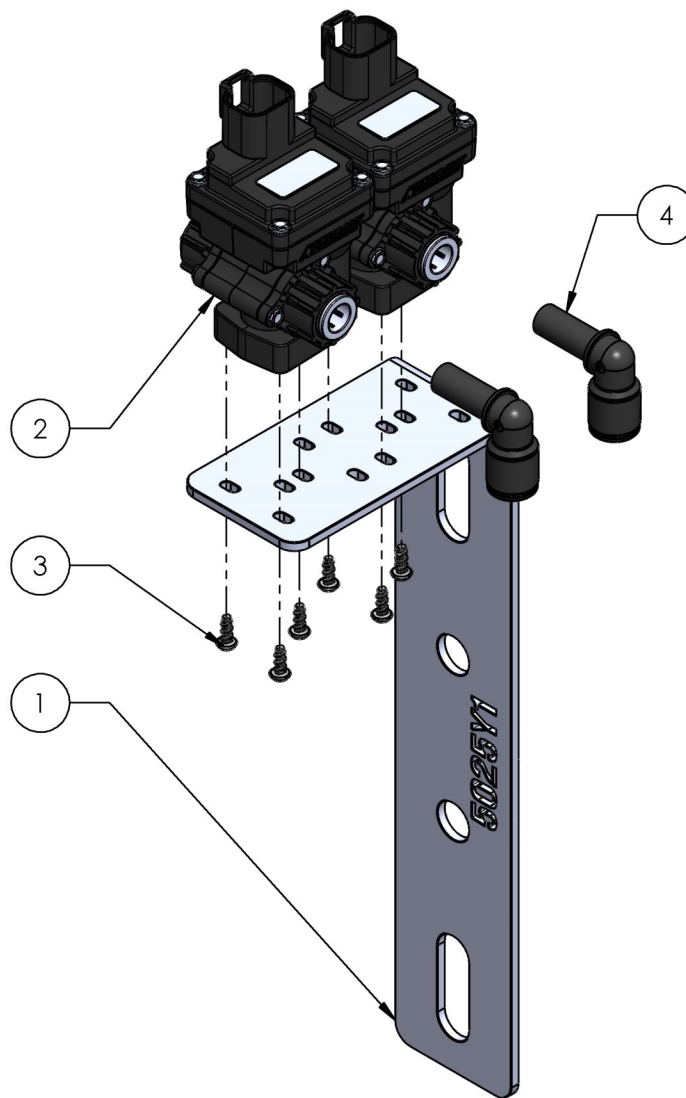
# Parts List and Exploded View

## 515-01-300350

### Dual Product Zip Valves

ITEM NO.	PART NUMBER	DESCRIPTION	QTY.
1	400-5025Y1	Gen3 Zip Valve Dual Product Toolbar Mounting Bracket	2
2	103-4496Y1/103-5016Y1	Zip Valve 1/4" Nylon, 2-way, SS Ball, 3/8" Push to Connect, Deutsch Connector	4
3	757-97349A200	Size 6 Thread Forming Screw for Plastic - SS	13
4	113-12-038038	Black Composite Stem Elbow - 3/8" Stem x 3/8"	2

\*Each kit includes parts for mounting two zip valves

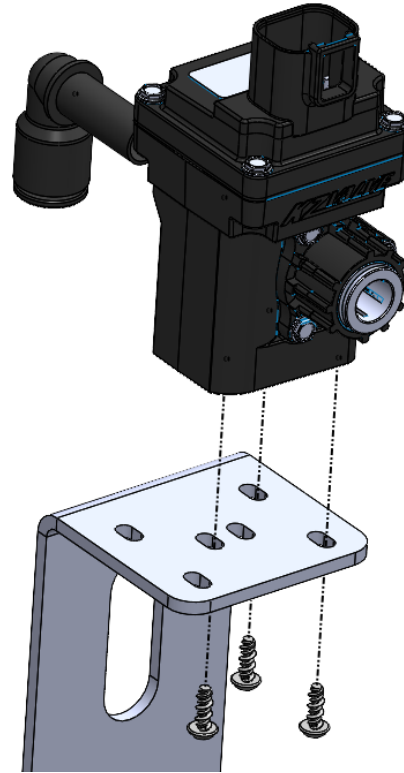




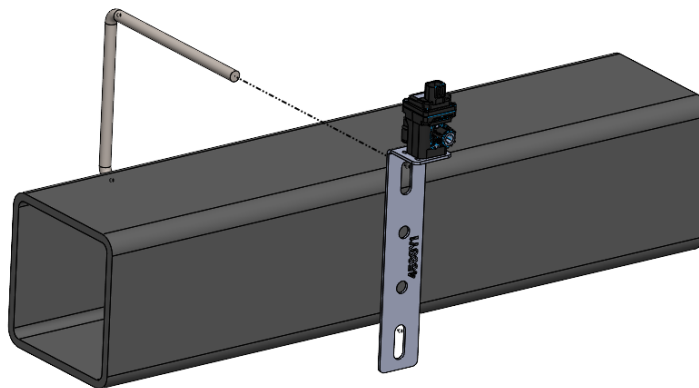
# Step by Step Instructions

*Note: The same basic instructions apply to the single and dual product zip valve mounting.*

1. Attach the Zip Valve to the mounting bracket using the provided thread forming screws. Do not overtighten or strip the plastic body.



2. Attach the mounting bracket to the toolbar using the provided u-bolt. The valve can overhang the toolbar or be installed directly above the toolbar.



3. Route 3/8" OD tubing or 3/8" OD hose from the flow indicator or Sentinel Flowmeter Module to the row unit. Use the provided 3/8" Stem x 3/8" QC elbow as needed to make a sharp turn into the valve.

*Note: Lubricate 3/8" tube or tube fitting and make sure 3/8" OD tubing is cut off flush and clean prior to installation to avoid rolling the o-ring.*

