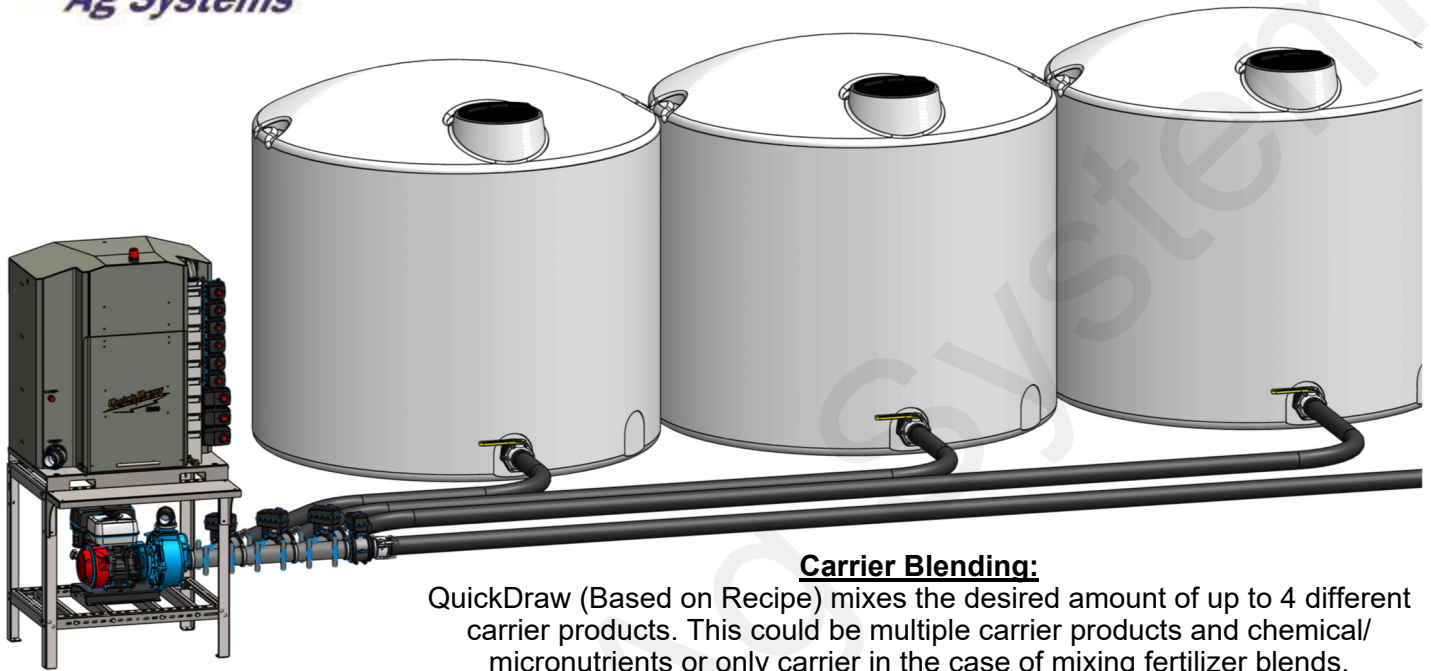




396-4851Y1 QuickDraw^{MAX} 3000 Carrier Refill / Blending



Carrier Blending:

QuickDraw (Based on Recipe) mixes the desired amount of up to 4 different carrier products. This could be multiple carrier products and chemical/ micronutrients or only carrier in the case of mixing fertilizer blends.



Tender Trailer Carrier Refill:

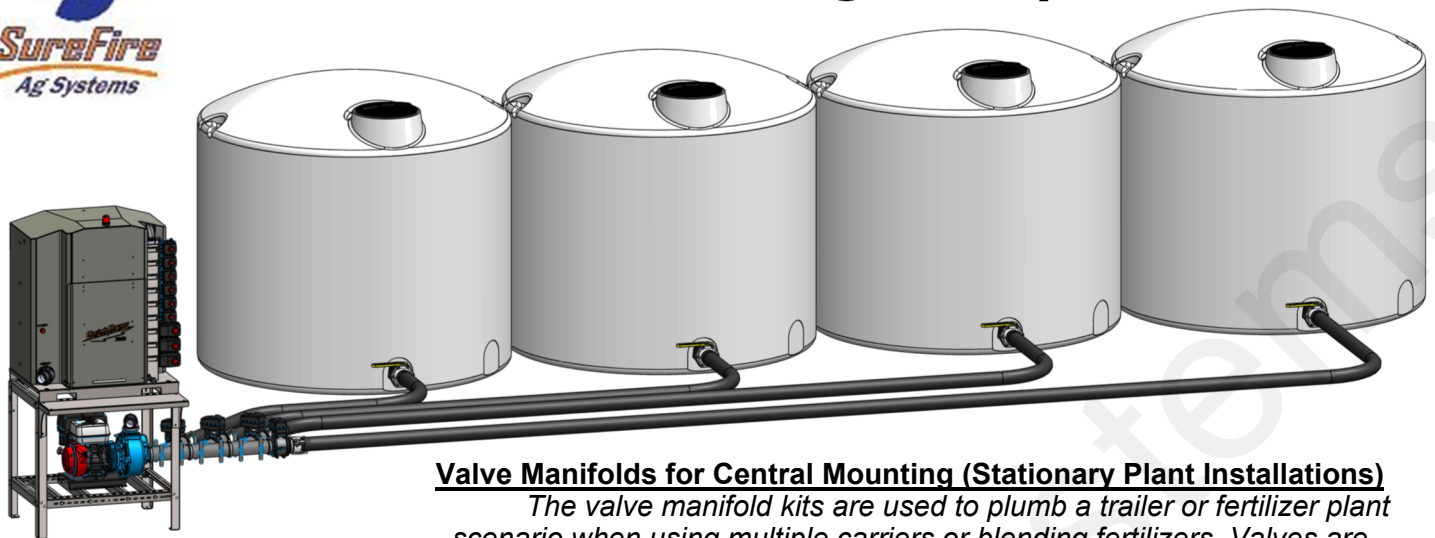
Plumbing kits so that QuickDraw (Using trailer transfer pump) can pull from ground storage tank and fill the setpoint amount to each tank on the trailer.



6333



Carrier Blending Kit Options



Valve Manifolds for Central Mounting (Stationary Plant Installations)

The valve manifold kits are used to plumb a trailer or fertilizer plant scenario when using multiple carriers or blending fertilizers. Valves are centrally located in close proximity to the pump and QuickDraw.

- 606-04-150200 - 2 Product Carrier Blending Kit
- 606-04-150300 - 3 Product Carrier Blending Kit
- 606-04-150400 - 4 Product Carrier Blending Kit



Mobile Trailer Plumbing Base Kits

These kits are used to plumb a trailer such that the QuickDraw can be used to fill tanks individually, and use carrier blending to pull from the desired tank during operation.

- 606-04-100200 - QuickDraw Trailer 3" Plumbing Kit - 2 Carrier Tanks
- 606-04-100250 - QuickDraw Trailer 3" Plumbing Kit - 2 Carrier Tanks w/ Electric Valves
- 606-04-100300 - QuickDraw Trailer 3" Plumbing Kit - Single Carrier Tank
- 606-04-100350 - QuickDraw Trailer 3" Plumbing Kit - Single Carrier Tank w/ Electric Valves

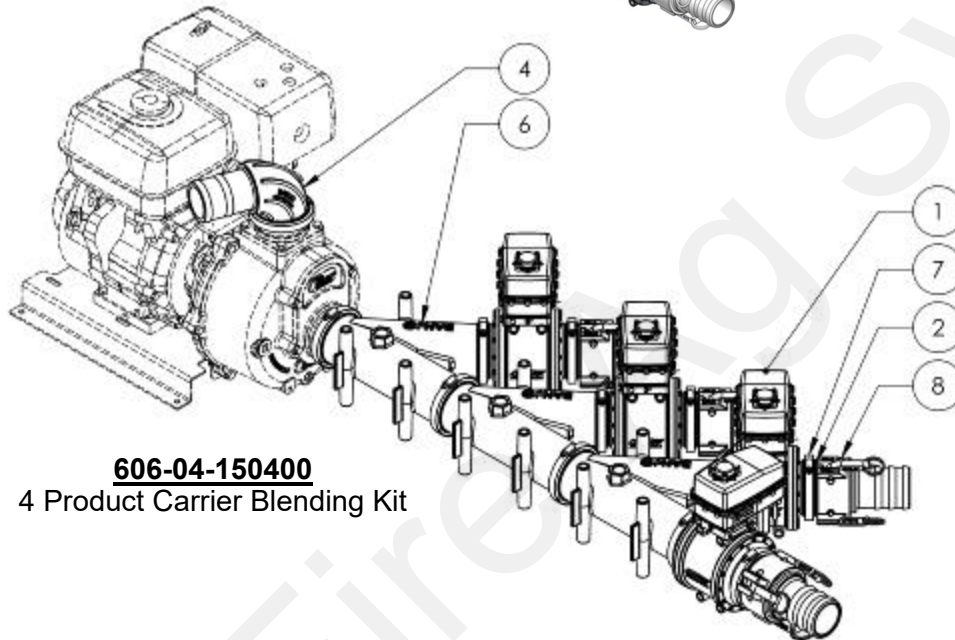
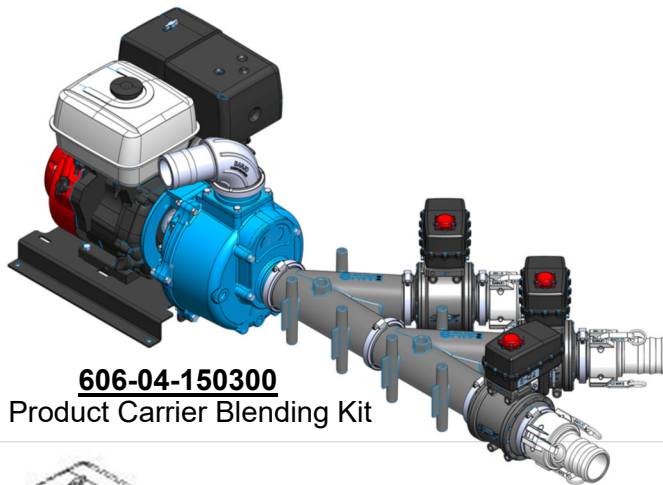
Trailer Blending Kits (Need Plumbing and Extension Cables)

These kits are used to convert the base kits (above) or update existing trailer plumbing to CAN controlled valves that the QuickDraw can control to utilize the carrier blending functionality during operation.

- 606-04-175200 - 2 Product Carrier Blending Kit - CAN Valves and Y Cables Only
- 606-04-175300 - 3 Product Carrier Blending Kit - CAN Valves and Y Cables Only
- 606-04-175400 - 4 Product Carrier Blending Kit - CAN Valves and Y Cables Only



Carrier Blending Kit Options Plant / Stationary Installations



Item	Part Number	Description	2 Product	3 Product	4 Product
1	103-3366Y1	3" KZ Valve Assembly - CAN Control	4	3	2
2	105-300A	3" Manifold x 3" Male Adapter	4	3	2
3	105-300BRB	3" Manifold x 3" HB	1	1	1
4	105-300BRBSWP90	3" Manifold x 3" HB - 90 Degree Sweep	1	1	1
5	105-300G-H	3" EPDM Manifold Gasket	12	9	6
6	105-300Y45*	3" Manifold - 45 Degree Y	3	2	1
7	105-FC300	3" Manifold Clamp	12	9	6
8	106-303C	3" Female Coupler w/ 3 Arms x 3" Hose Shank	4	3	2
9	208-05-3363Y2	QuickDraw CAN Valve Expansion Harness	1	1	1

* The use of Wye fittings instead of Tee fittings is for optimal flow efficiency on the inlet side of a transfer pump. For better manifold cleanout, it is also recommended to have the end (straight) valve connected to clean water.



Carrier Blending Valve Wiring

QuickDraw 3000 has the functionality for up to 4 carrier products. During a batch the QuickDraw can switch between the different carriers by opening and closing CAN controlled valves.

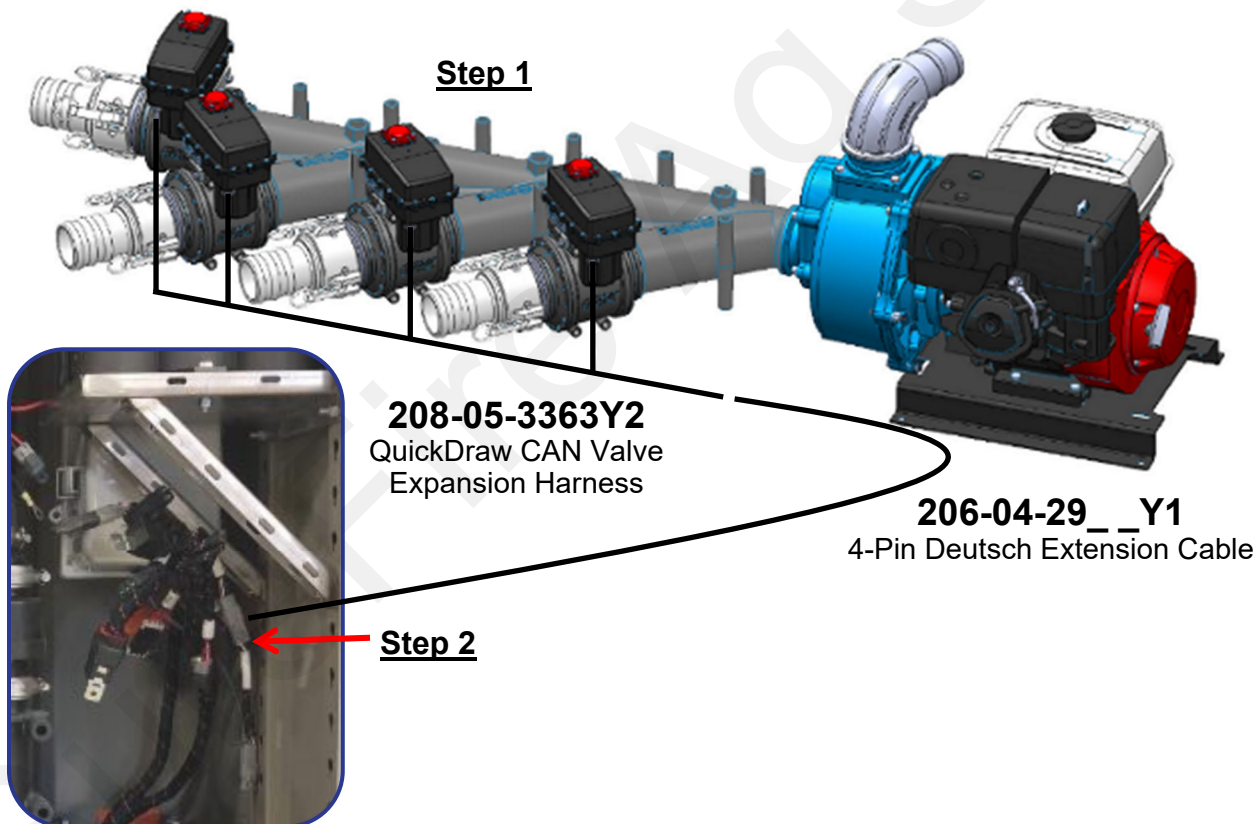
Carrier Blending Harnessing

- 208-05-3363Y2 - CAN Valve Expansion Harness
- 206-04-29__Y1 - 4-Pin Deutsch Extension Cable
 - 5 ft - 206-04-2913Y1
 - 10 ft - 206-04-2914Y1
 - 20 ft - 206-04-2915Y1
 - 30 ft - 206-04-2996Y1
 - 40 ft - 206-04-2997Y1
 - 50 ft - 206-04-2998Y1

Installation Instructions:

Before plugging in any valves, you'll need to enable Multiple Carrier in the QuickDraw controller. *See the next page for setup and addressing the valves.*

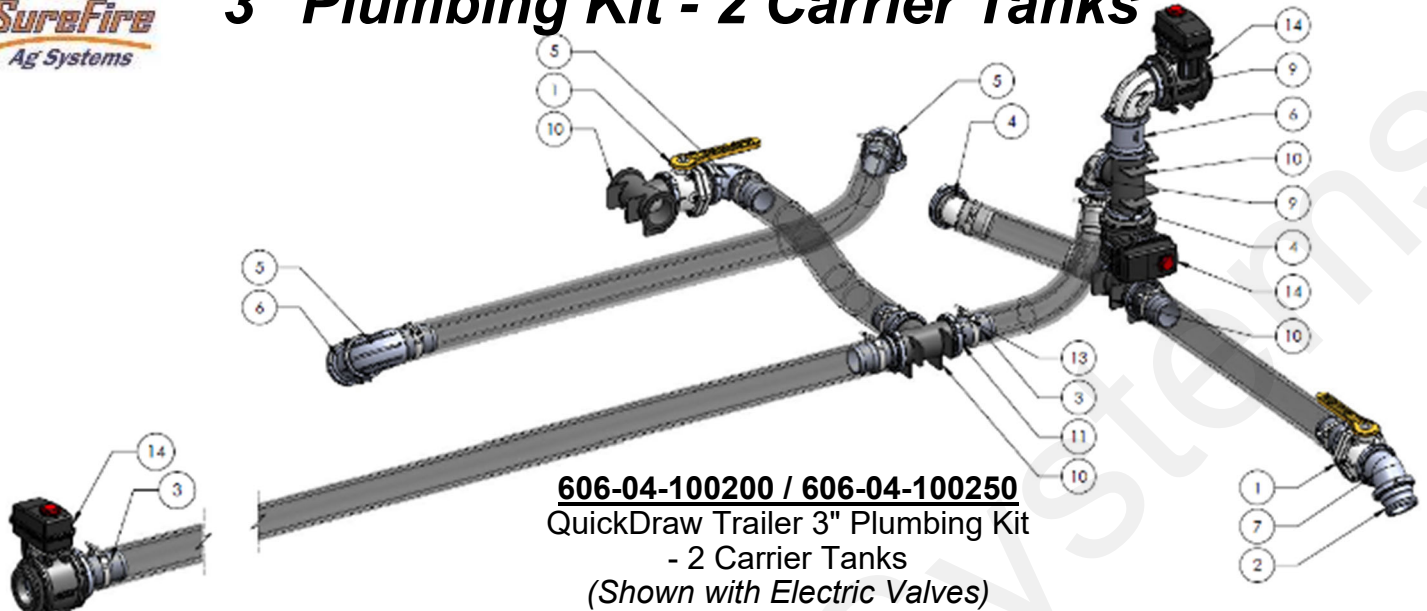
1. Layout plumbing system and install CAN valve(s).*
2. Remove the CAN Bus terminator (P/N 208-06-2912Y1) from the end of the QuickDraw harness connection labeled **Bus Extension/Termination**. This part may need to be re-used.
3. Use the appropriate length extension harness and plug into the **Bus Extension/Termination** connector in the QuickDraw, then plug the 208-05-3363Y2 QuickDraw CAN Valve Expansion Harness to the end of the extension.



- *Mounting the manifold as close to the pump and QuickDraw as possible is recommended. Extending the distance from the valve manifold to the pump and QuickDraw increases the chances for cross-contamination of products in the hose and reduces inventory accuracy.*
- *The use of Wye fittings instead of Tee fittings is for optimal flow efficiency on the inlet side of a transfer pump. For better manifold cleanout, it is also recommended to have the end (straight) valve connected to clean water.*

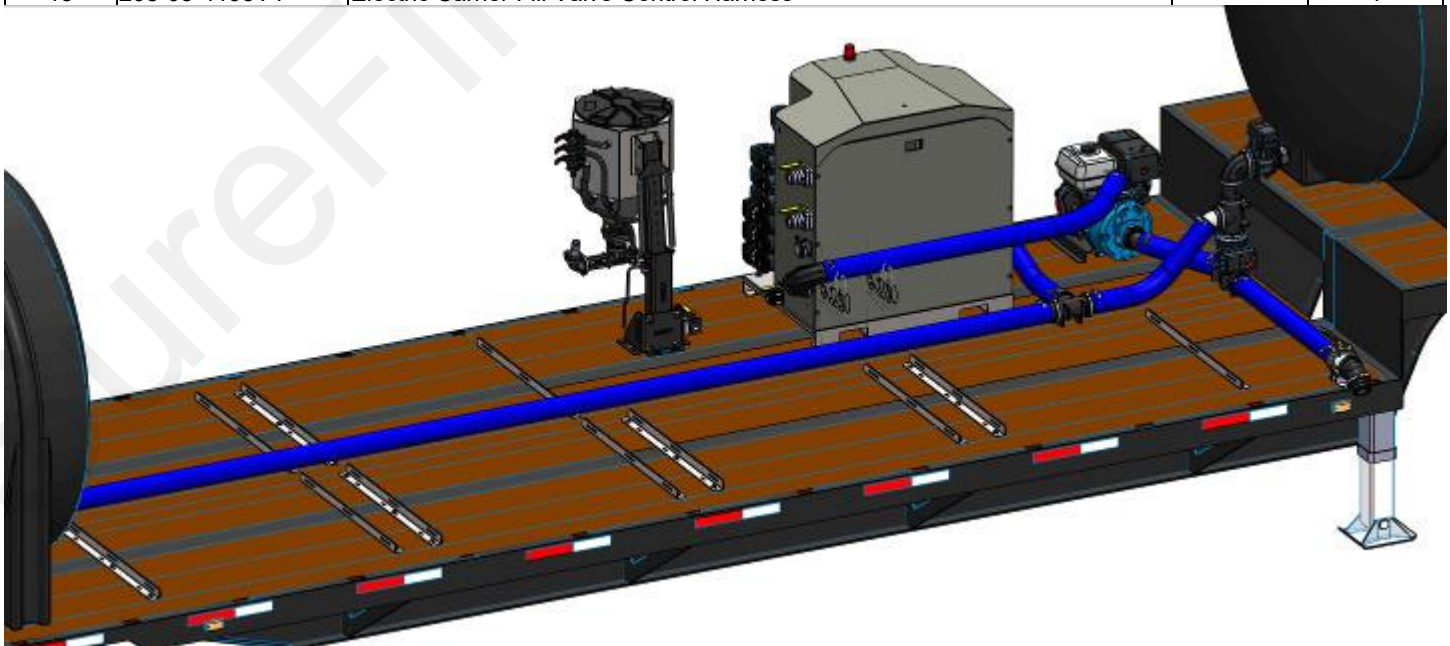


QuickDraw Trailer Carrier Refill 3" Plumbing Kit - 2 Carrier Tanks



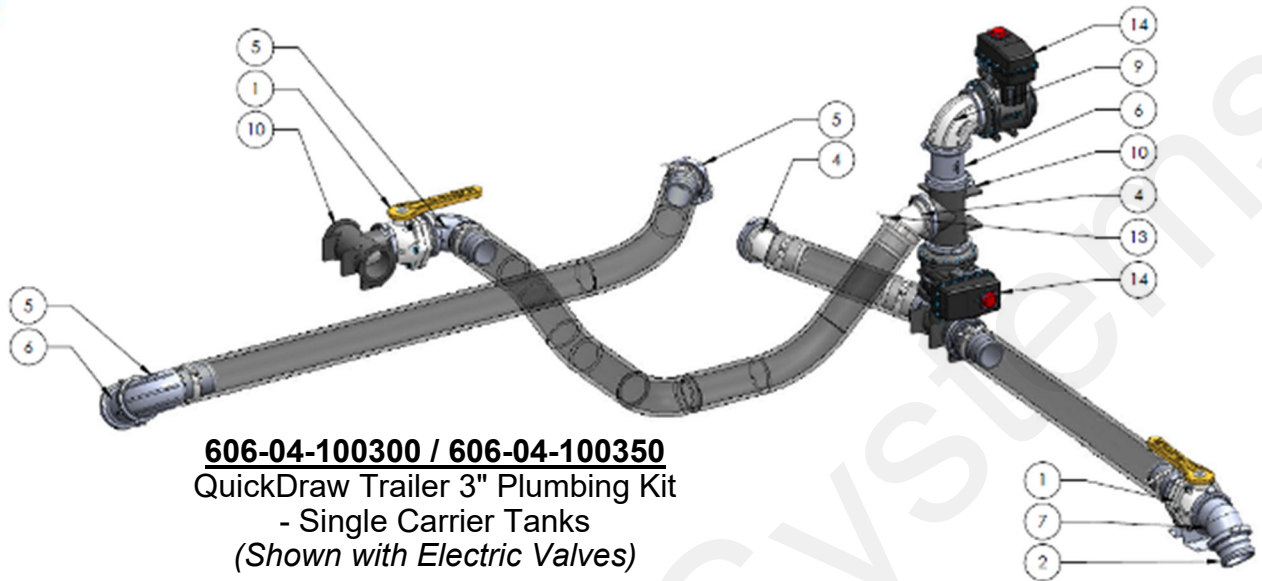
606-04-100200 / 606-04-100250
QuickDraw Trailer 3" Plumbing Kit
- 2 Carrier Tanks
(Shown with Electric Valves)

Item No.	Part Number	Description	Manual Valve Qty	Electric Valve Qty
1	102-300MVSCF	3" Manifold Stubby Valve (2 1/2" thru ball)	5	2
2	105-300A	3" Manifold x 3" Male Adapter	1	1
3	105-300BRB	3" Manifold x 3" HB	8	8
4	105-300BRB45	3" Manifold x 3" HB - 45 Degree	3	3
5	105-300BRBWP90	3" Manifold x 3" HB - 90 Degree Sweep	3	3
6	105-300CPG	3" Manifold Coupling	2	2
7	105-300CPG45	3" Manifold Coupling - 45 Degree	1	1
8	105-300G-H	3" EPDM Manifold Gasket	30	30
9	105-300SWP90	3" Manifold Sweep - 90 Degree	4	4
10	105-300TEE	3" Manifold Tee	3	3
11	105-FC300	3" Manifold Clamp	30	30
12	280-300-ENF	3" Enforcer Fertilizer Solution Hose	75	75
13	350-TC343	Pressure Seal HD Clamp, Size 400 - 3.12 - 3.75" Diameter (fits 3" Enforcer)	12	12
14	103-2417Y1	QuickDraw Valve, 300 Flange, 3" Thru Ball, WP Shroud	-	3
15	208-05-4193Y1	Electric Carrier Fill Valve Control Harness	-	1



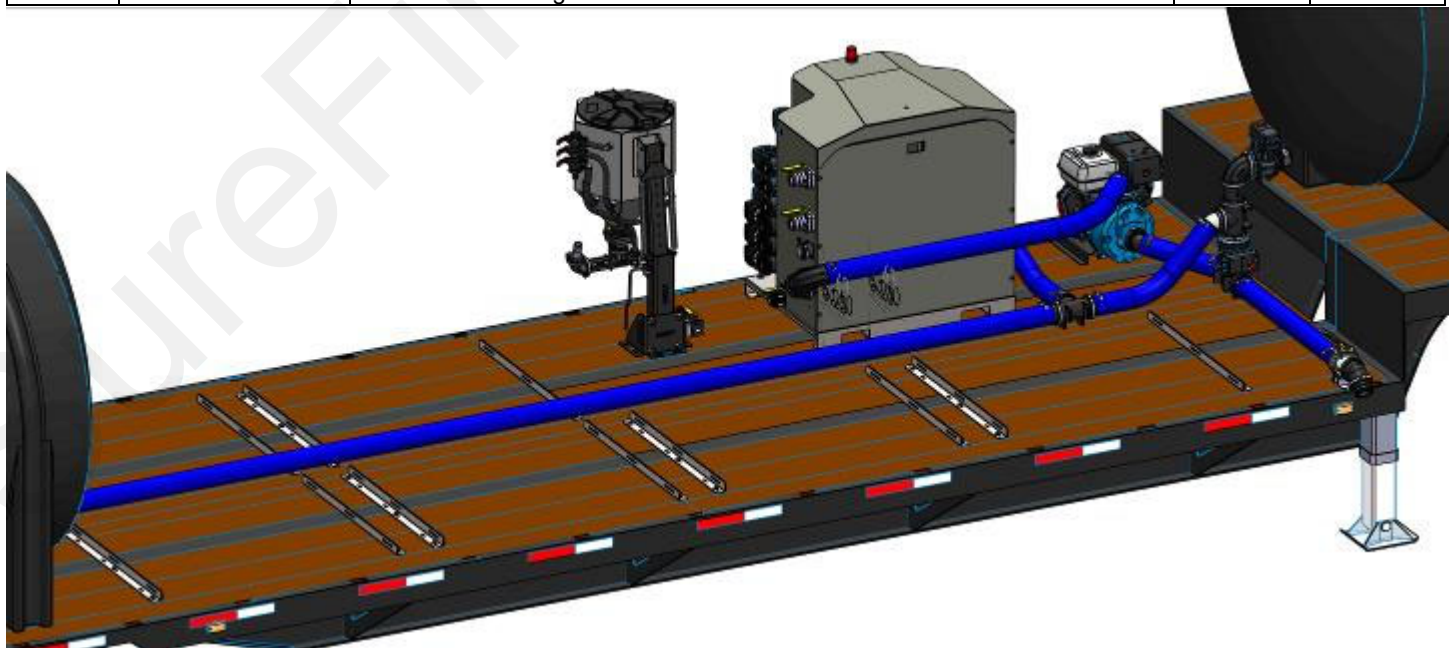


QuickDraw Trailer Carrier Refill 3" Plumbing Kit - Single Carrier Tank



606-04-100300 / 606-04-100350
QuickDraw Trailer 3" Plumbing Kit
- Single Carrier Tanks
(Shown with Electric Valves)

Item No.	Part Number	Description	Manual Valve Qty	Electric Valve Qty
1	102-300MVSCF	3" Manifold Stubby Valve (2 1/2" thru ball)	4	3
2	105-300A	3" Manifold x 3" Male Adapter	1	1
3	105-300BRB	3" Manifold x 3" HB	8	8
4	105-300BRB45	3" Manifold x 3" HB - 45 Degree	3	3
5	105-300BRBSWP90	3" Manifold x 3" HB - 90 Degree Sweep	3	3
6	105-300CPG	3" Manifold Coupling	2	2
7	105-300CPG45	3" Manifold Coupling - 45 Degree	1	1
8	105-300G-H	3" EPDM Manifold Gasket	30	30
9	105-300SWP90	3" Manifold Sweep - 90 Degree	4	4
10	105-300TEE	3" Manifold Tee	3	3
11	105-FC300	3" Manifold Clamp	30	30
12	280-300-ENF	3" Enforcer Fertilizer Solution Hose	75	75
13	350-TC343	Pressure Seal HD Clamp, Size 400 - 3.12 - 3.75" Diameter (fits 3" Enforcer)	12	12
14	103-2417Y1	QuickDraw Valve, 300 Flange, 3" Thru Ball, WP Shroud	-	3
15	208-05-4859Y1	Electric Carrier Single Valve Control Harness	-	1





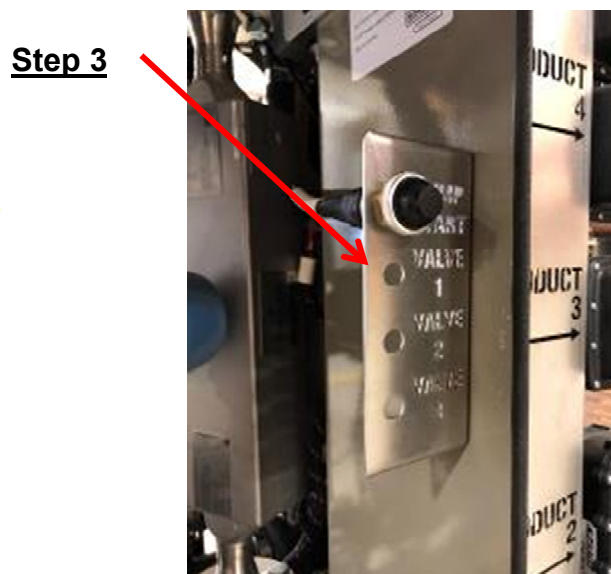
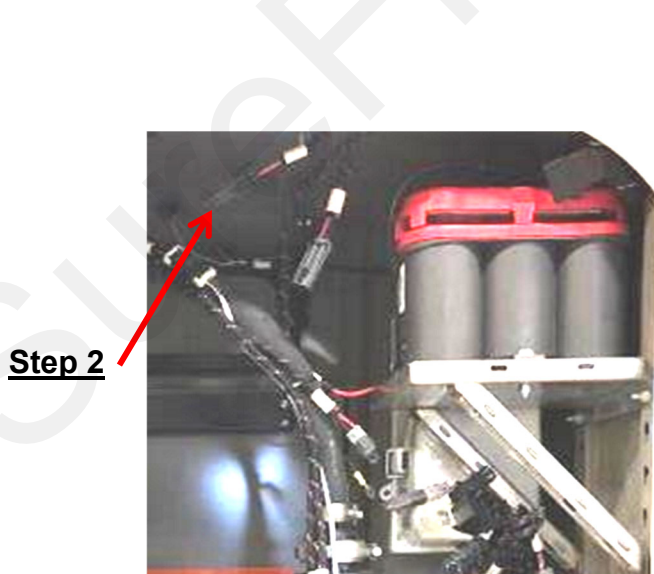
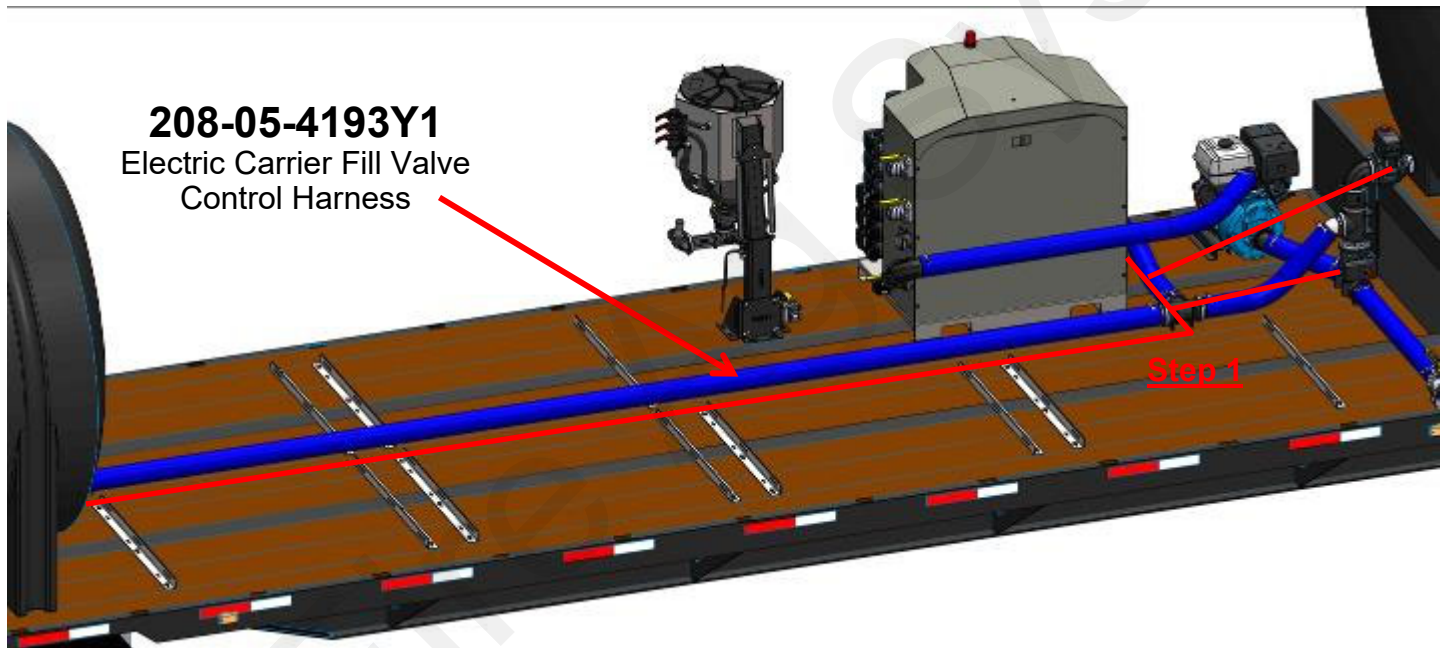
Electric Carrier Fill Valve Control Trailer Layout and Wiring for Carrier Refill

Custom Trailer Harnesses - Electric Valves for Carrier Refill

- 606-04-100250 - QuickDraw Trailer 3" Plumbing Kit - 2 Carrier Tanks w/ Electric Valves
 - 208-05-4193Y1 - Electric Carrier Fill Valve Control Harness
- 606-04-100350 - QuickDraw Trailer 3" Plumbing Kit - Single Carrier Tank w/ Electric Valves
 - 208-05-4859Y1 - Electric Carrier Single Valve Control Harness

Installation Instructions:

1. Route harness on trailer as shown and plug 3-pin connectors into the 3" valves. *Note: For single carrier tank installations, the rear valve won't be used. Use 208-05-4859Y1 harness instead.*
2. Connect the 2-Pin 480MP tower connector to **Pump Power** in the QuickDraw. *Note: The harness is designed to extend the pump power connector for wiring the pump start/stop.*
3. Remove 1/4" bolt for Product Valve label and install 475-4266Y1-SS - QuickDraw Aux Switch mounting bracket. Mount valve switches in the mounting bracket.





Electric Carrier Fill Valve Control Trailer Layout and Wiring for Carrier Blending

CAN Valve Upgrade Kits for Carrier Blending

These kits are used in conjunction with the trailer plumbing kits. QuickDraw 3000 has the functionality for up to 4 carrier products. During a batch the QuickDraw can switch between the different carriers by opening and closing CAN controlled valves.

- 606-04-175200 - 2 Product Carrier Blending Kit - CAN Valves and Y Cables Only
- 606-04-175300 - 3 Product Carrier Blending Kit - CAN Valves and Y Cables Only
- 606-04-175400 - 4 Product Carrier Blending Kit - CAN Valves and Y Cables Only

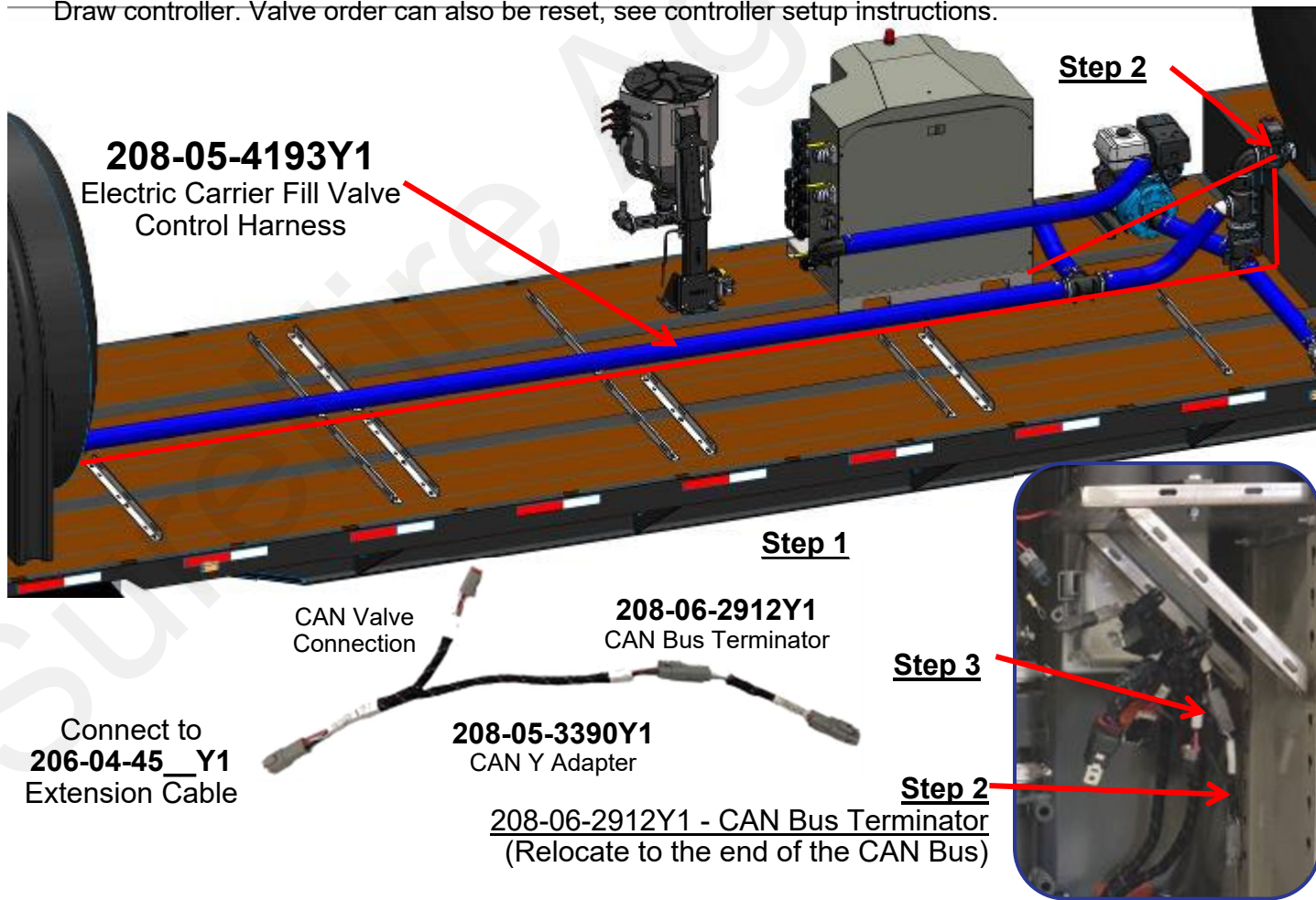
Suggested CAN Extension Harnesses

- 206-04-4531Y1 - Heavy Duty 4-Pin Deutsch Extension - 10ft
- 206-04-4532Y1 - Heavy Duty 4-Pin Deutsch Extension - 20ft
- 206-04-4533Y1 - Heavy Duty 4-Pin Deutsch Extension - 30ft
- 206-04-4534Y1 - Heavy Duty 4-Pin Deutsch Extension - 40ft

Installation Instructions:

Before plugging in any valves, you'll need to enable Multiple Carrier in the QuickDraw controller.

1. Layout plumbing system and install CAN valve(s).
2. Remove the CAN Bus terminator (P/N 208-06-2912Y1) from the end of the QuickDraw harness connection labeled **Bus Extension/Termination**. This part will need to be re-used.
3. Use the appropriate length extension harness to route from the **Bus Extension/Termination** connector in the QuickDraw to the closest CAN Valve.
4. Use CAN Y Adapter (208-05-3390Y1) to connect to the valve and route extension cable to the next valve. Repeat this process until all valves are connected.
5. At the final valve connector, re-use CAN bus terminator harness (208-06-2912Y1) at the final Y adapter.
6. Plug in the CAN valves in desired order, one at a time, so they are properly addressed within the QuickDraw controller. Valve order can also be reset, see controller setup instructions.

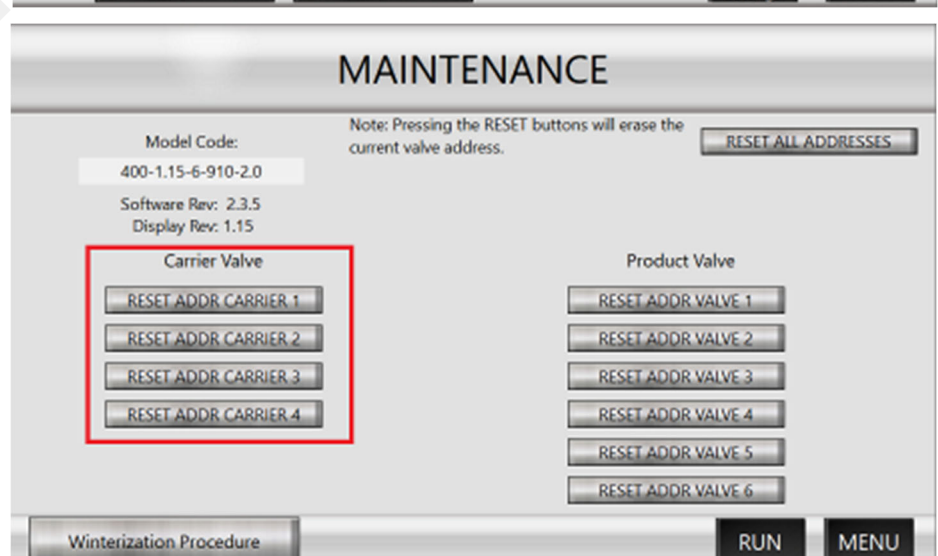
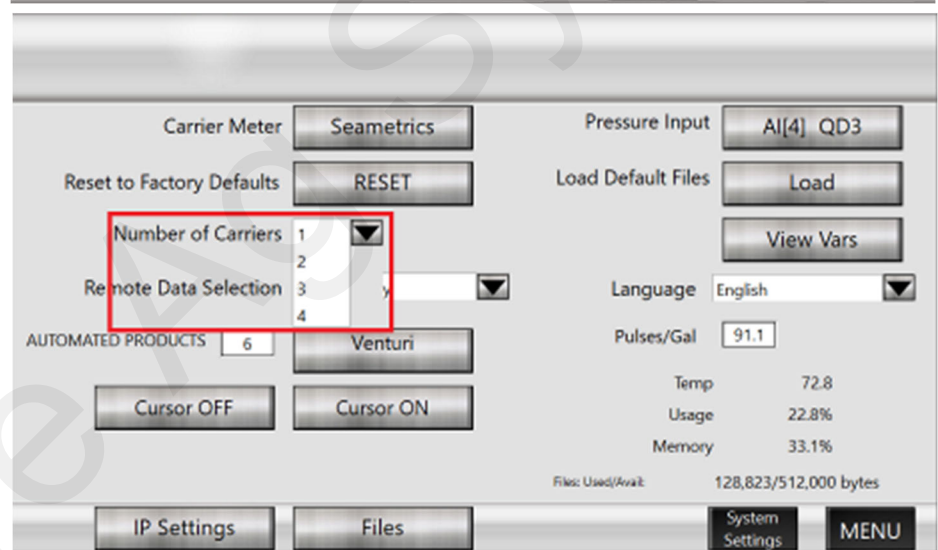
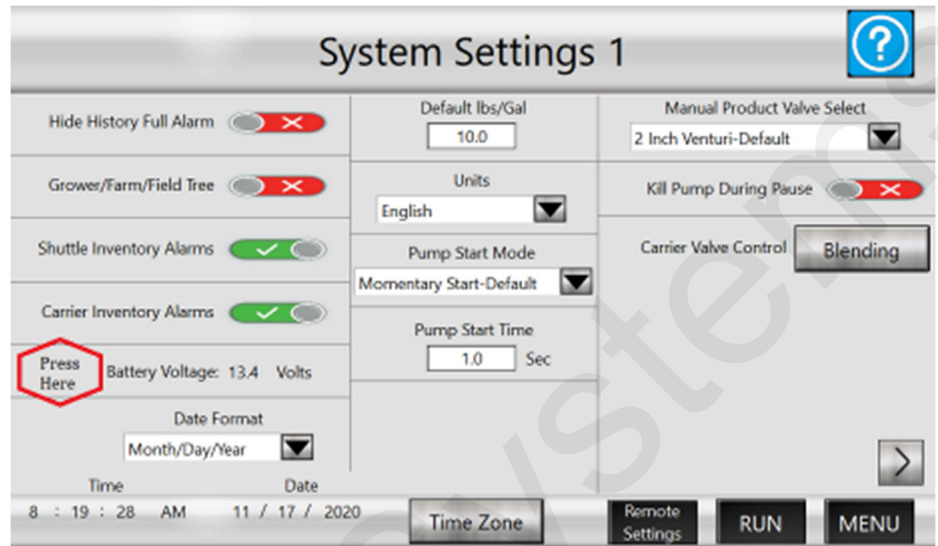




Carrier Blending Initial Setup

Setup Instructions:

1. Go to the menu, select Settings.
2. Press the area just left of the Battery Voltage.
3. Hit Enter on the keyboard that pops up.
4. Select the appropriate number of Carriers (1-4).
5. Press Menu. The CAN Bus alarm will now be active because the valves are not addressed.
6. Plug in the 3" CAN valves in desired order, one at a time, so they are properly addressed within the QuickDraw controller. After each valve is plugged in, you will be prompted by the display to choose the correct valve number.
7. If the numerical order of the valves needs to be changed, use the Reset Address Carrier buttons on the Maintenance screen to readdress the valves to the desired order.





6333