

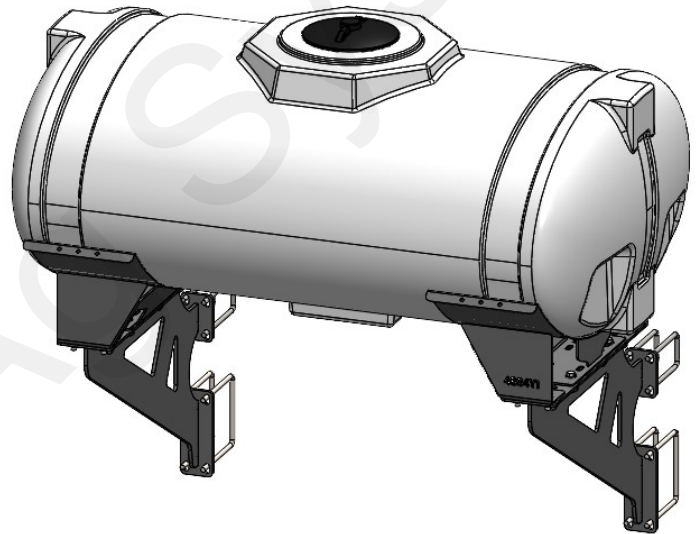


396-4705Y1

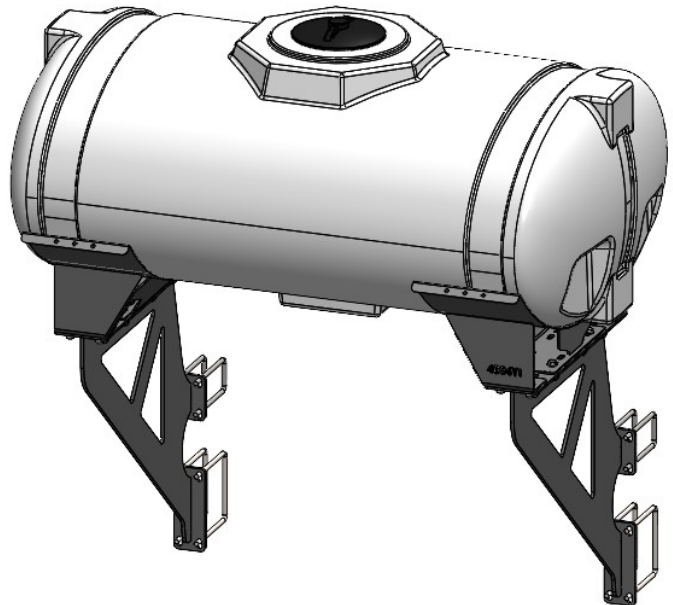
Case IH 1255 24R Wing Mount Tank Kit Installation Instructions - Bulk Fill and Row Box

Planter Manufacturer: **CASE IH**
AGRICULTURE

Kit Number: 530-02-450050
Description: Case IH 1255 24R
Bulk Fill Wing Mount Tank Kit



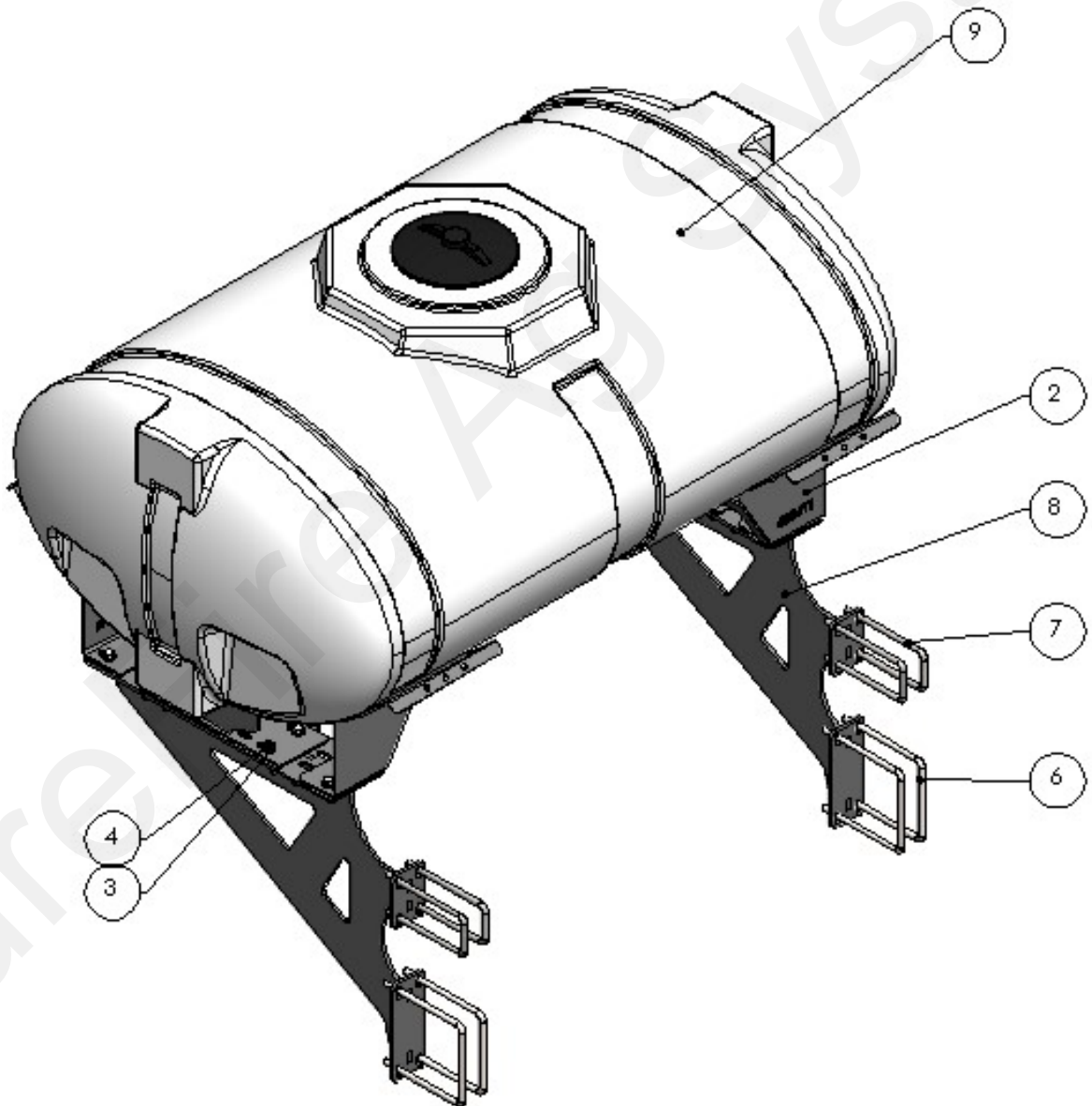
Kit Number: 530-02-450025
Description: Case IH 1255 24R
Row Box Wing Mount Tank Kit





Parts List and Exploded View 530-02-450050

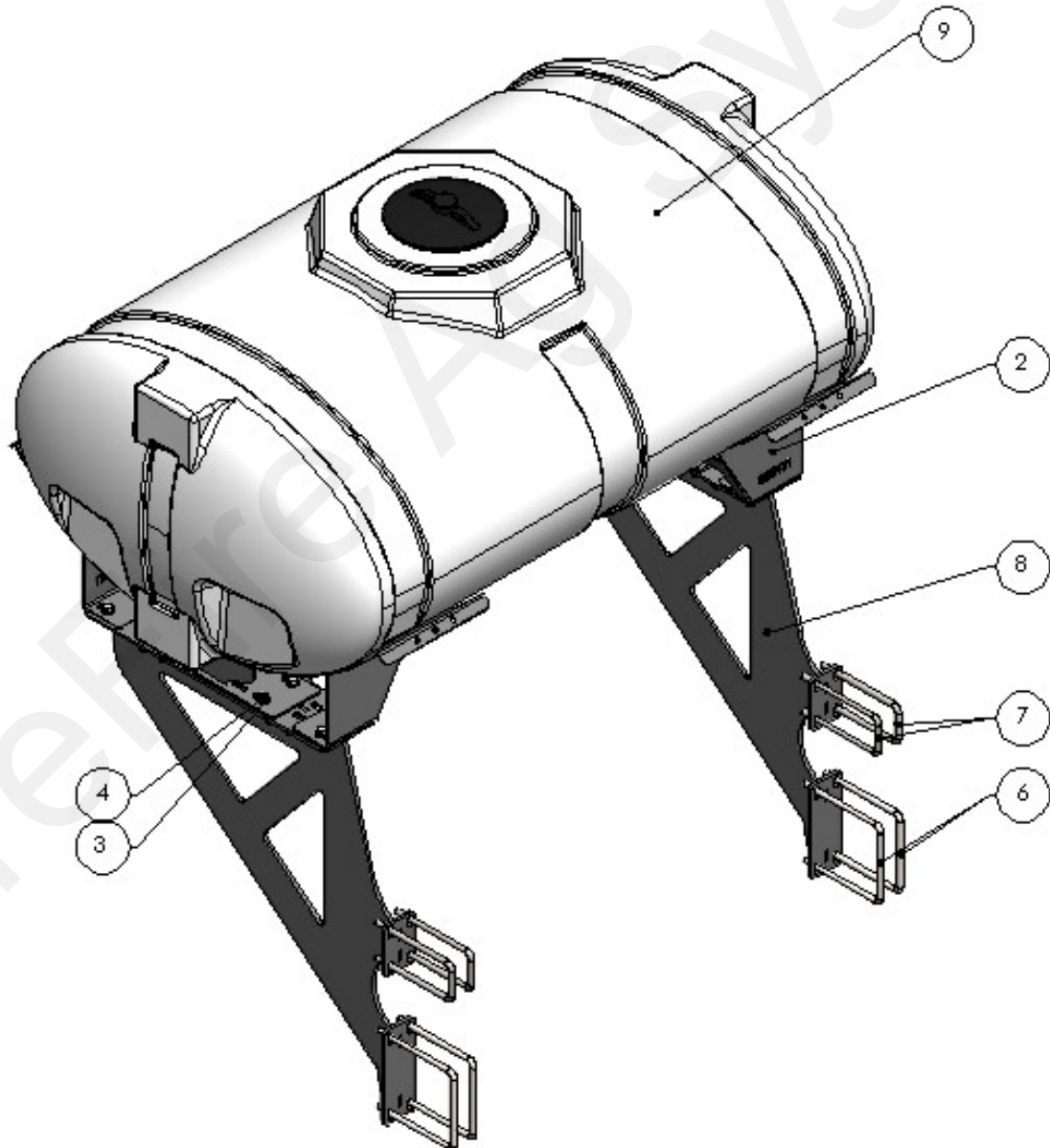
ITEM NO.	PART NUMBER	DESCRIPTION	QTY.
1	525-2055	2" Strap Kit	2
2	420-4694Y1	200 Gal Elliptical Tank Saddle	2
3	330-08	1/2" Flat Washer	16
4	300-080108-5	1/2" x 1-1/2" Hex Head Bolt - G5	16
5	323-08	1/2" Flange Nut	16
6	380-1001	1/2" U-Bolt Kit - Fits 7" x 7" Tube	4
7	380-1034	1/2" U-Bolt Kit - Fits 3" x 7" Tube	4
8	420-4596Y1	SureFire Ag Wing Tank Bulk Fill Bracket	2
9	727-01-HE0200-41-W	Rear Bracket WA 30' & 40' Great Plains	1





Parts List and Exploded View 530-02-400025

ITEM NO.	PART NUMBER	DESCRIPTION	QTY.
1	525-2055	2" Strap Kit	2
2	420-4694Y1	200 Gal Elliptical Tank Saddle	2
3	330-08	1/2" Flat Washer	16
4	300-080108-5	1/2" x 1-1/2" Hex Head Bolt - G5	16
5	323-08	1/2" Flange Nut	16
6	380-1001	1/2" U-Bolt Kit - Fits 7" x 7" Tube	4
7	380-1034	1/2" U-Bolt Kit - Fits 3" x 7" Tube	4
8	420-4600Y1	SureFire Ag Wing Tank Row Box Bracket	2
9	727-01-HE0200-41-W	Rear Bracket WA 30' & 40' Great Plains	1





Step by Step Instructions

1. Loosely fasten support bracket to 7"x7" toolbar with provided U-bolts (420-4600Y1 for Row Box, 420-4596 for Bulk Fill).
2. Use 3" x 7" U-bolts to fasten bracket to top 3"x7" toolbar.
3. Set tank saddles on top of support and use eight (8) 1/2" x 1-1/2" bolts to secure saddle in place. *(Saddles can be mounted either direction to provide mounting flexibility from obstructions.)*
4. Set tank in saddles and adjust as necessary. Route hoses through slots in support brackets.
5. Tighten all bolts and strap tank in place.
6. Check for clearance issues when folding planter for the first time.

