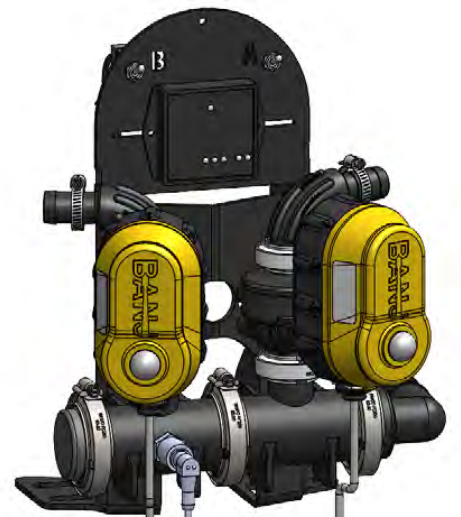
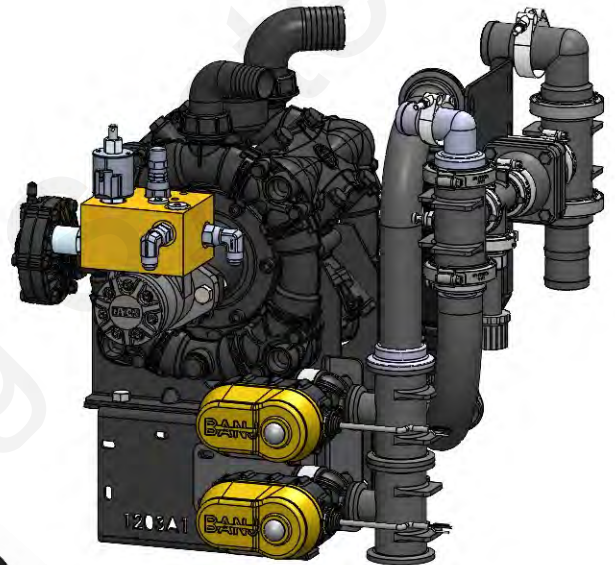
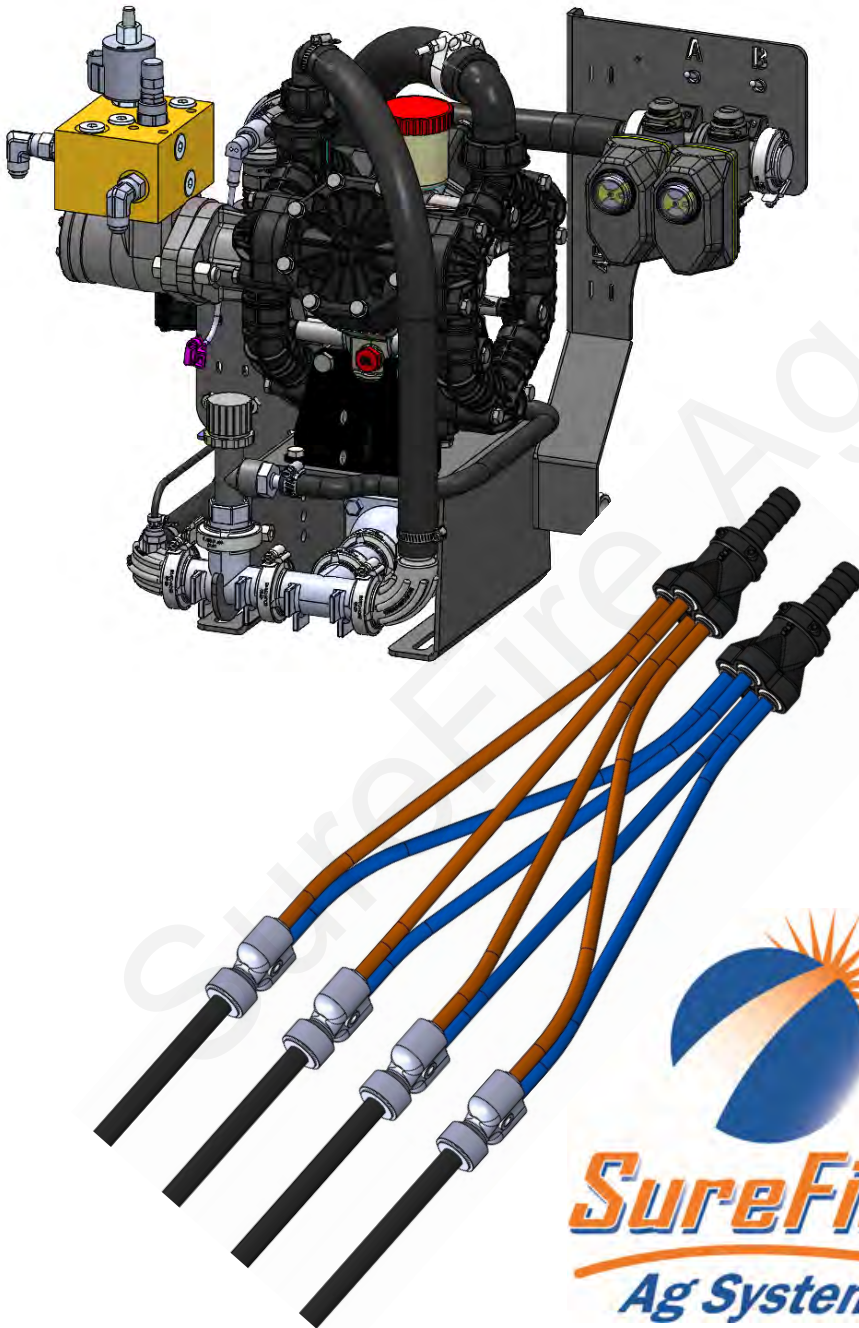


396-4608Y1

LIQUISHIFT[®]

GEN3

Variable Rate Technology



SureFire Ag Systems



Table of Contents

Safety Information	
What is LiquiShift? How does it work?	2
Harnesses and Modules used on Gen3 LiquiShift	2
Pressure Transducer for LiquiShift.....	2
More—What is LiquiShift and How does it work?.....	3
Metering Tube Size Chart	4
LiquiShift Dual Tube Combinations Charts, Calculating Flow (oz/min/row)	5
Metering Tubes to Split the Flow to Both Sides of the Row.....	6
LiquiShift A/B Valve Assemblies - Pump Mounted and Stand Alone	7-8
Plumbing Manifold Distribution Assembly Parts Diagram.....	9-10
Metering Tube Combo Kits	11-13
Planter System Layout - Individual Row Shutoff Valve.....	14
Planter System Layouts - 8R, 12R, 16R, 24R, 32R, 36R Layouts.....	15-20
LiquiShift Controller—Mode Selection (Shift points) and Diagnostic Lights	21-22
Manual Override Toggle Switches for Testing, Flushing, and Emergency Operation	23
LiquiShift with Sentinel Control	24
Typical Gen3 LiquiShift Harness Layout	25-26
Final Pump Harness Wiring Diagram.....	27
Section Connector Pinouts for Gen3 LiquiShift	28-29
Section Setup for Gen3 LiquiShift.....	30
Troubleshooting Common Issues	31-36
LiquiShift Valve and Zip Valve Operation and Troubleshooting.....	31-32
Valve Will Not Open	32
Valve Opens, but Nothing Comes Out.....	32
Valve is Always Green and Won't Close.....	32
Only the "A" Valves Will Open	33
Some Valves Will Open—Others Won't.....	34
Shifts to "A" Valves or Both "A" and "B" Valves When Turning Around	34
Set Control Valve to PWM Close	34
LiquiShift Valves Won't Come On.....	35
System Shifts Repeatedly from "A" to "B" and Back.....	35
Pressure and Shifting Are Out of Sync	35
Pressure is Not Showing Up on the Display.....	36
Using Pressure Signal Simulator to Test and Diagnose LiquiShift	36



Safety

A

TAKE NOTE! THIS SAFETY ALERT SYMBOL FOUND THROUGHOUT THIS MANUAL IS USED TO CALL YOUR ATTENTION TO INSTRUCTIONS INVOLVING YOUR PERSONAL SAFETY AND THE SAFETY OF OTHERS. FAILURE TO FOLLOW THESE INSTRUCTIONS CAN RESULT IN INJURY OR DEATH.



**THIS SYMBOL MEANS
ATTENTION!
BECOME ALERT!
YOUR SAFETY IS INVOLVED!**

Note the use of the signal words **DANGER**, **WARNING** and **CAUTION** with the safety messages. The appropriate signal word for each has been selected using the following guidelines:



DANGER: Indicates an imminently hazardous situation that, if not avoided, will result in death or serious injury. This signal word is to be limited to the most extreme situations typically for machine components which, for functional purposes, cannot be guarded.



WARNING: Indicates a potentially hazardous situation that, if not avoided, could result in death or serious injury, and includes hazards that are exposed when guards are removed. It may also be used to alert against unsafe practices.



CAUTION: Indicates a potentially hazardous situation that, if not avoided, may result in minor or moderate injury. It may also be used to alert against unsafe practices.

NOTICE is used to address safety practices not related to personal safety.





Hydraulic Fluid and Equipment Safety

This system uses hydraulic equipment with hydraulic fluid under extremely high pressure.

Hydraulic fluid escaping under pressure can have sufficient force to penetrate the skin causing serious injury. Keep all hoses and connections in good serviceable condition. Failure to heed may result in serious personal injury or death. Avoid the hazard by relieving the pressure before disconnecting lines or performing work on the system.

Make sure hydraulic fluid connections are tight and all hydraulic hoses and lines are in good condition before applying pressure to the system. Use a piece of paper or cardboard, **NOT BODY PARTS**, to check for suspected leaks. Wear protective gloves and safety glasses or goggles when working with hydraulic systems. **DO NOT DELAY!**

Check hydraulic hoses and fittings frequently. Loose, broken, and missing hardware can cause equipment to not perform properly and can result in serious injury or death.

Hydraulic systems can be hot and cause burns. Before working on any system, wait until the fluid has cooled.

If an accident occurs, see a doctor familiar with this type of injury immediately. Any fluid injected into the skin or eyes must be treated within a few hours or gangrene may result.

A Word to the Operator



It is YOUR responsibility to read and understand the safety messages in this manual. YOU are the key to safety.

SAFETY IS YOUR RESPONSIBILITY.



The SureFire PumpRight hydraulic pump on the LiquiShift system is rated at a maximum of 550 RPM. Spinning the pump over 550 RPM may cause pump failure. See the SureFire System manual for the PumpRight system for information about setting up the system to keep the pump from overspeeding.



The SureFire PumpRight hydraulic pump can deliver liquid at high pressure (290 PSI). Be sure the 100 PSI Pressure Relief Valve (PRV) is installed and functioning so system pressure will be kept under 100 PSI. Check hoses, hose clamps, and liquid fittings regularly and repair or replace loose connections.



What is LiquiShift® and how does it work?

LiquiShift® is cutting edge (yet very simple) technology from SureFire Ag that allows a wide range of application rates and/or speeds. The system utilizes two metering tubes to each row to evenly distribute the product. The LiquiShift technology opens and closes valves to allow the product to flow through the wet booms to the small tube, to the large tube, or to both tubes, depending on the rate and speed at that time.

It works like this. At low flow rates, the product flows through the small tubes. As the flow increases, the pressure will increase. When the pressure reaches the top setpoint, the valve to the small tubes will close and the valve to the large tubes will open. When the flow and pressure increase in the large tube to the top setpoint, the valve to the small tubes will open, allowing product to flow through both tubes. As the flow and pressure decrease, the system will shift down to a smaller tube at each setpoint.

Rate control and section control are done by the rate control module and display as they are in any system. The LiquiShift technology handles all the adjustments to the tubes to deliver the right amount of product to the right rows. The defining feature of Gen3 LiquiShift is a shutoff valve on every row. This eliminates spring check valves and gives positive shutoff, greater row-to-row accuracy, and finer section control resolution as allowed by the control platform.

A LiquiShift system is NOT an infinitely variable system. The system must be configured with the proper tube combination to match your rate range, speed range, product, and row spacing.

AN ADDED BONUS with the SureFire Gen3 LiquiShift is that the system runs with a 20-mesh strainer. Because of the larger openings with the metering tube and the electromagnetic flowmeter (including with the Sentinel Row Flow) which has no moving parts, no tight flow-restricting strainers are required.

Harnesses and LiquiShift modules for SureFire GEN 3 LiquiShift

ALL systems have: **218-2565Y1** LiquiShift Controller (LiquiShift Control Module) unless LiquiShift is controlled by Sentinel.

A Control Module Adapter harness (213-06-XXXX) with a 12-pin Pump connector and 2 14-pin Section connectors (left side and right side)

A 12-pin Pump Final harness (207-01-4613Y1 for most systems) with connectors for Flowmeter, PWM, Pressure, Pump RPM, LiquiShift Controller, A and B valves, and A and B valve manual override switches.

Two 14-pin Section Final harnesses (207-01-4xxx—one for the left side, one for the right side). These have the connectors for the Zip Valve on each row.

Critical Component—Pressure Transducer (521-05-050150 3-wire, 0-100 PSI, 0-5v, 3-pin MP150 Tower)

The pressure transducer on the LiquiShift valve stack is a critical component of the LiquiShift operation. It must be functioning properly in order for the LiquiShift A & B valves to work as needed to direct the flow through the appropriate tubes based on the quantity of flow. The transducer on the LiquiShift must be a 0 to 100 PSI, 0 to 5 volt transducer. The LiquiShift Controller (218-2565Y1) reads the voltage from the pressure transducer to determine which Valve Stack to open (A or B or both).

See the directions on page 22 for operation of the Manual Override feature in the event of a pressure transducer failure.



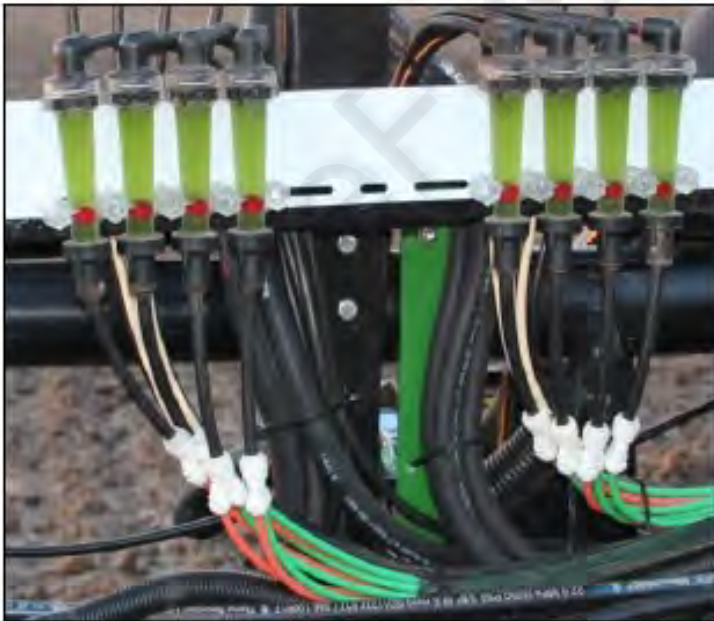


What is LiquiShift and how does it work?

- ◆ There are 2 metering tubes to regulate and distribute the flow to each row.
- ◆ The product can flow through the small tube or through the large tube or through both tubes.
- ◆ The SureFire LiquiShift module switches between tubes on the go as the speed and/or rate change.
- ◆ This allows the system to adjust to a wide range of application rates and/or speed changes for variable rate prescriptions and /or high speed planters/implements.

Here's how it works:


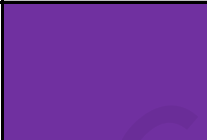

- ◆ The flow starts in the small tube. As the flow increases due to increased rate and/or speed:
- ◆ When the pressure hits the High Setpoint, the flow switches to the large tube.
- ◆ As the speed and/or rate increase further, when the pressure hits the High setpoint again, the flow switches to both tubes.
- ◆ As the flow decreases due to lower speed and/or rate, and the pressure drops to the Low Setpoint, the flow switches from both tubes to the large tube, and then from the large tube to the small tube.
- ◆ All of this happens in an instant, on-the-go.



Why is this Important?

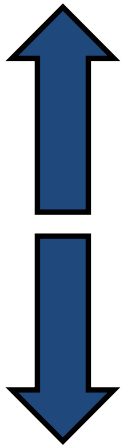
- ◆ A typical application system has a limited flow range because of the flow dynamics through an orifice.
- ◆ High speed planters/applicators require an expanded flow range just to cover the range of speeds possible with the equipment.
- ◆ Prescriptions that maximize crop input efficiency by putting a low rate in some areas and high rate in other areas require a system that has a wide flow range.
- ◆ Combine high speed planters/applicators with prescriptions or just with changing rates from field to field and flow range can become 6X or 8X or 10X. LiquiShift from SureFire can do that.



Metering Tube Sizes		
Color		Size I.D.
White		.047"
Grey		.060"
Purple		.080"
Brown		.088"
Blue		.096"
Green		.110"
Tan		.125"
Orange		.150"
Yellow		.170"
Black		.187"

**LiquiShift
Valve**

A



B

**LiquiShift
Valve**

Note: Standard 1/4" Poly Tube (281-025) used for general plumbing has an I.D. of .170".
DO NOT substitute Standard 1/4" Poly Tube for Black 'Metering' tube with I.D. of .187".

LiquiShift Dual Tube Combinations

Low Viscosity Product (28-0-0) (10.6 lb/gal)		
ML	OZ	20-70 PSI
Flow Range	Flow Range	Tubes
180-1475	6-50	Purple/Blue
240-2365	8-80	Brown/Green
295-2510	10-85	Blue/Green
295-3105	10-105	Blue/Tan
535-5025	18-170	Green/Orange
535-5765	18-195	Green/Yellow
740-6210	25-210	Tan/Yellow
740-7390	25-250	Tan/Black
1035-8870	35-300	5' Tan/Yellow
1300-9165	44-310	Orange/Black
1035-9610	35-325	5' Tan/Black
1625-10350	55-350	Yellow/Black
1685-11830	57-400	5' Orange/Black
2070-13600	70-460	5' Yellow/Black

Medium-Low Viscosity (32-0-0) (11.0 lb/gal)		
ML	OZ	20-70 PSI
Flow Range	Flow Range	Tubes
135-1180	4.5-40	Purple/Blue
165-1920	5.7-65	Brown/Green
220-2070	7.5-70	Blue/Green
220-2570	7.5-87	Blue/Tan
415-4495	14-152	Green/Orange
415-5175	14-175	Green/Yellow
590-5620	20-190	Tan/Yellow
590-6210	20-210	Tan/Black
830-7985	28-270	5' Tan/Yellow
1035-8030	35-275	Orange/Black
830-9020	28-305	5' Tan/Black
1300-9020	44-305	Yellow/Black
1420-10795	48-365	5' Orange/Black
1775-12125	60-410	5' Yellow/Black

To calculate Flow (oz/min/row): **Speed (mph) X Rate (gpa) X Row Spacing (in) divided by 46.4**

Calculate Minimum flow using Minimum Speed and Minimum Rate.

Calculate Maximum flow using Maximum Speed and Maximum Rate.

Find the Tube Combination that best covers the Flow Range needed.

10-34-0 gets thicker and harder to push when cold. **Use a larger tube combination when possible for 10-34-0** so it will flow OK when it is cold.

Medium Viscosity (N-P-K Blend, ProGerm-11.2 lb/gal)		
ML	OZ	20-70 PSI
Flow Range	Flow Range	Tubes
75-885	2.5-30	Purple/Blue
105-1475	3.5-50	Brown/Green
150-1625	5-55	Blue/Green
150-2070	5-70	Blue/Tan
295-3990	10-135	Green/Orange
295-4435	10-150	Green/Yellow
415-5025	14-170	Tan/Yellow
415-5765	14-195	Tan/Black
590-7245	20-245	5' Tan/Yellow
800-7100	27-240	Orange/Black
590-7985	20-270	5' Tan/Black
975-7690	33-260	Yellow/Black
1125-9760	38-330	5' Orange/Black
1360-10795	46-365	5' Yellow/Black

High Viscosity (10-34-0 at 60 deg) (11.65 lb/gal)		
ML	OZ	20-70 PSI
Flow Range	Flow Range	Tubes
30-325	1-11	Purple/Blue
44-530	1.5-18	Brown/Green
53-590	1.8-20	Blue/Green
53-830	1.8-28	Blue/Tan
75-1480	2.6-50	Green/Orange
75-1920	2.6-65	Green/Yellow
118-2220	4-75	Tan/Yellow
118-2960	4-100	Tan/Black
180-3400	6-115	5' Tan/Yellow
265-3400	9-115	Orange/Black
180-4230	6-143	5' Tan/Black
385-3850	13-130	Yellow/Black
415-4730	14-160	5' Orange/Black
530-5765	18-195	5' Yellow/Black

Tubes may need to be adjusted for best operation with a particular product.

If necessary, system can be operated at 70-90 PSI to achieve high flow rates.

Green/Yellow combination should only be used when maximum range is needed.

LiquiShift Mode Selection should be set at 20-80 PSI for Green/Yellow tubes.

7/14/2020



Metering Tubes to use to split the flow to both sides of the row:

(Numbers indicate the **flow range through each tube** in oz/min with a pressure drop from 4 to 15 psi)

LOW VISC	2'	32"	4'
Purple	7-20	6-15	5-11
Blue	12-32	11-25	9-20
Green	24-55	20-47	18-36
Tan	31-73	27-64	24-48
Orange	56-125	47-110	41-83
Yellow	71-153	60-135	53-104
Black	91-205	76-175	68-133
MID VISC	2'	32"	4'
Purple	4-11	3-9	2-6
Blue	7-20	5-15	4-11
Green	14-36	10-30	8-23
Tan	20-55	15-44	12-31
Orange	37-100	30-84	26-62
Yellow	46-120	36-102	30-75
Black	65-145	52-130	45-100
HIGH VISC	2'	32'	4'
Purple	1-4	0.9-3	0.6-2
Blue	2-8	1.8-6	1.6-4
Green	4-14	3-11	2.5-9
Tan	6-22	4.5-17	3.8-11.5
Orange	14-44	10.5-36	8-25
Yellow	19-61	15-49	12-34
Black	27-80	21-65	16-49
WATER	2'	32'	4'
White	3.5-7.5	3-5.8	2.5-5
Gray	7-15	6-13	5-11
Purple	13-26	11-23	9-18
Blue	22-40	19-39	16-31
Green	33-70	28-60	25-48
Tan	43-93	37-80	32-64

(32" tube is an 8' tube cut into 3 pieces)

VISC	EX	LB/ GAL	SP GR
LOW	28-0-0	10.7	1.29
MID	9-24-3	11.2	1.34
HIGH	10-34-0	11.6	1.39

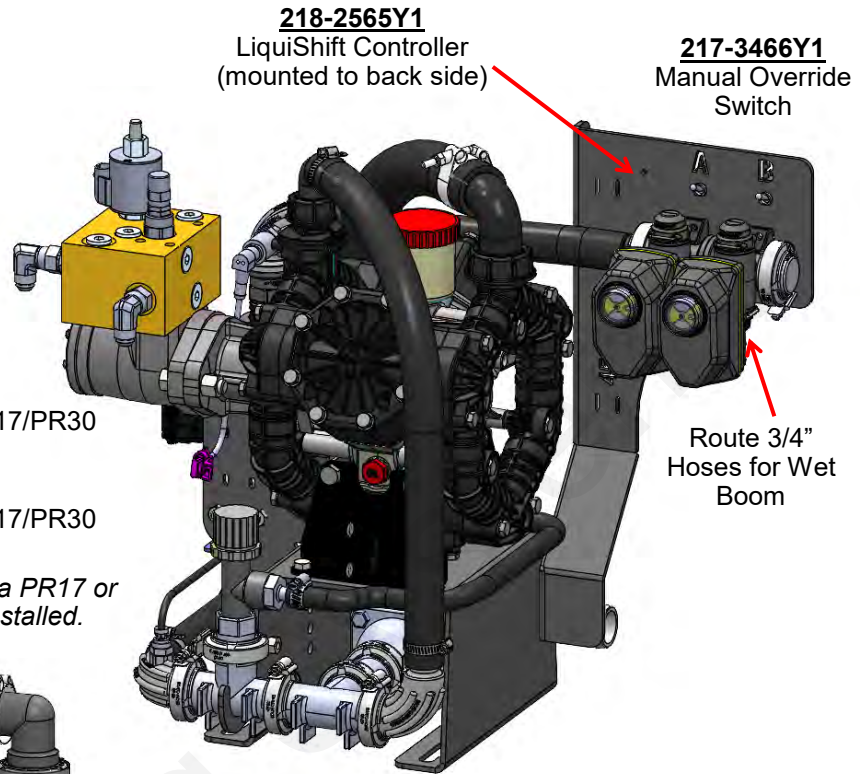
As with all metering tube recommendations, these charts should provide a starting point, but adjustments may need to be made in the field.

When doing a split at the row, we are trying to provide paths of equal resistance (and equal flow) to each side of the row, while keeping the pressure drop in this step as small as possible.

In general, use as large a tube (and / or as short a tube) as possible to minimize the pressure drop caused by splitting the flow. In other words, if possible, use the tube that matches up best at the low end of the range on the chart, rather than at the high end.

A compromise may need to be made in LiquiShift systems that have a wide flow range that extends beyond a selection on the chart.

LiquiShift Valve Assemblies



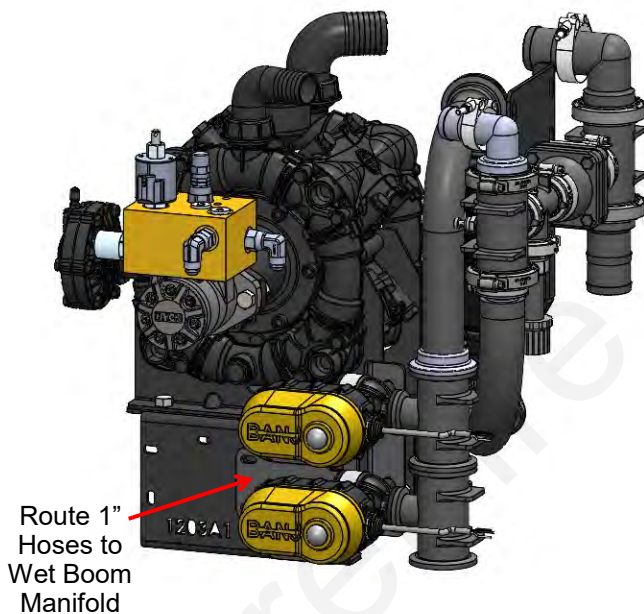
Kit: 522-03-100100

Gen3 LiquiShift A/B Valve Bolt-On Kit for PR17/PR30 (TX2 Valves) - 3rd Party Control

Kit: 522-03-100150

Gen3 LiquiShift A/B Valve Bolt-On Kit for PR17/PR30 (TX2 Valves) - Sentinel Rate Control

LiquiShift A/B Control Valves mount directly to a PR17 or PR30 PumpRight pump with final harness installed.



Kit: 522-03-100200

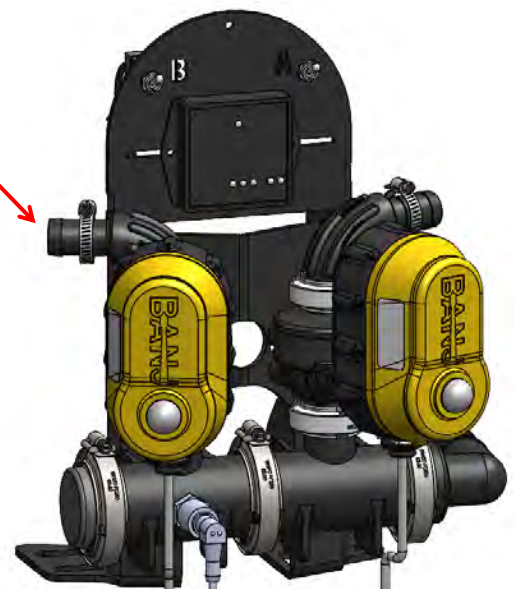
Gen 3 LiquiShift A/B Valve Bolt-On Kit for PR40/D250 (MEVX) - 3rd Party Control

Kit: 522-03-100250

Gen 3 LiquiShift A/B Valve Bolt-On Kit for PR40/D250 (MEVX) - Sentinel Rate Control

LiquiShift A/B Control Valves mount directly to a PR40 or D250 PumpRight pump with final harness installed.

Route 1" Hoses for Wet Boom Manifold



Kit: 522-03-100300

Stand Alone Gen3 LiquiShift A/B Valve & Boom Kit (TX2) - 3rd Party Control

Kit: 522-03-100350

Stand Alone Gen3 LiquiShift A/B Valve & Boom Kit (TX2) - Sentinel Rate Control

Kit: 522-03-100400

Stand Alone Gen3 LiquiShift A/B Valve & 1" Wet Boom Kit (1" MEVX) - 3rd Party Control

Kit: 522-100450

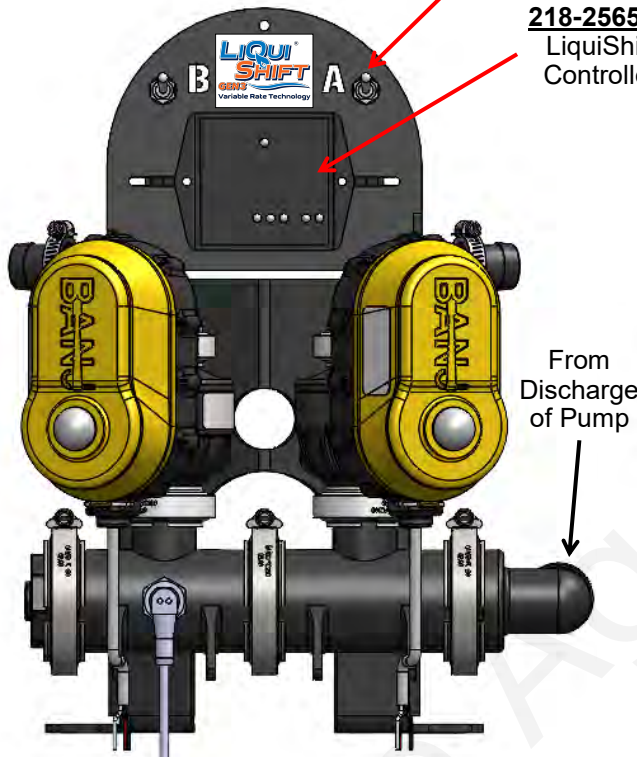
Stand Alone Gen3 LiquiShift A/B Valve & 1" Wet Boom Kit (1" MEVX) - Sentinel Rate Control



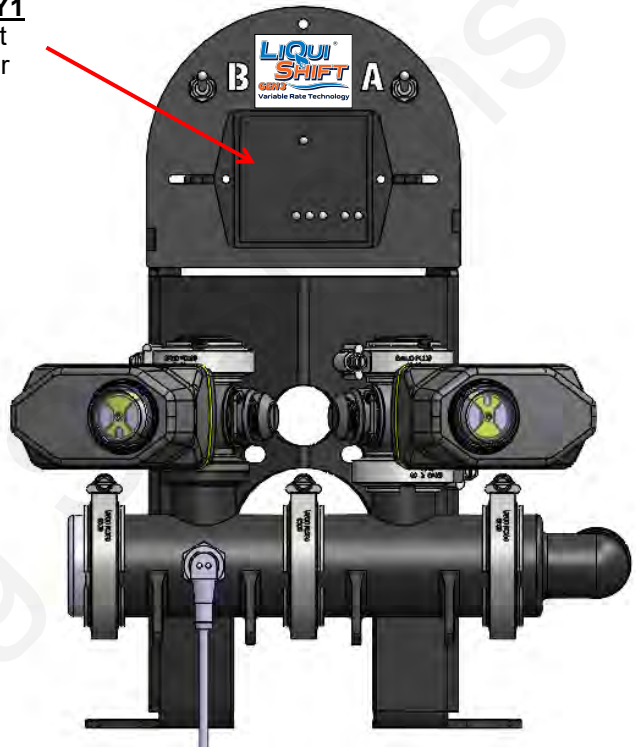
Stand Alone Gen3 LiquiShift Valve Assembly

217-3466Y1
Manual Override
Switch

218-2565Y1
LiquiShift
Controller

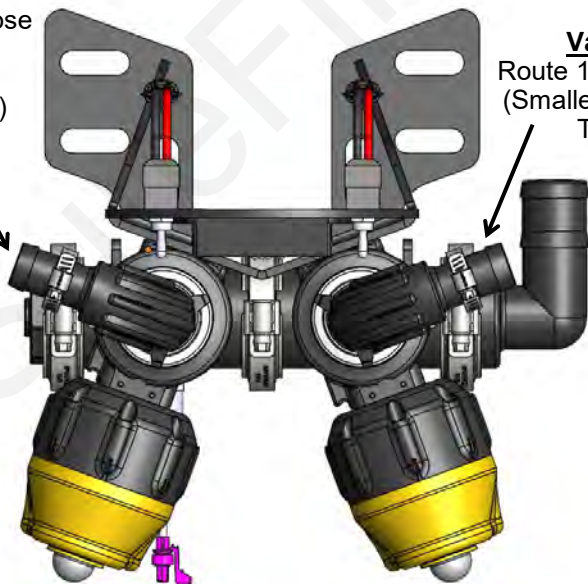


Gen3 LiquiShift Banjo (MEVX) Valves

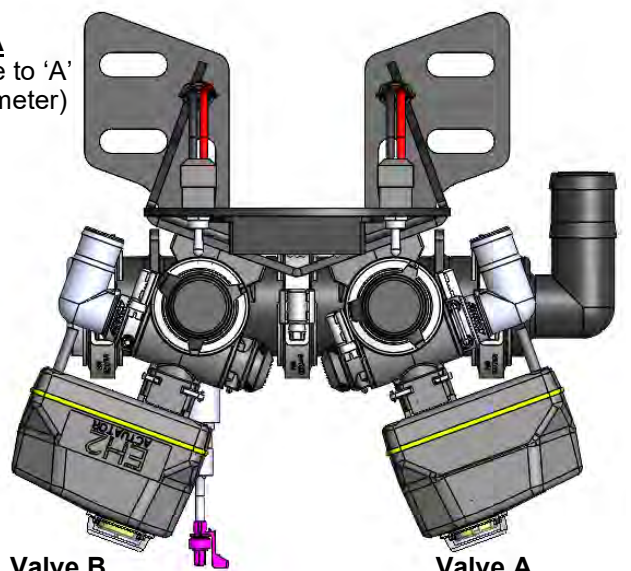


Gen3 LiquiShift KZ (TX2) Valves

Valve B
Route 1" hose to 'B'
(Larger Diameter)
Tubes



Valve A
Route 1" hose to 'A'
(Smaller Diameter)
Tubes



Valve B
Route 3/4" hose to 'B'
(Larger Diameter)
Tubes

Valve A
Route 3/4" hose to 'A'
(Smaller Diameter)
Tubes

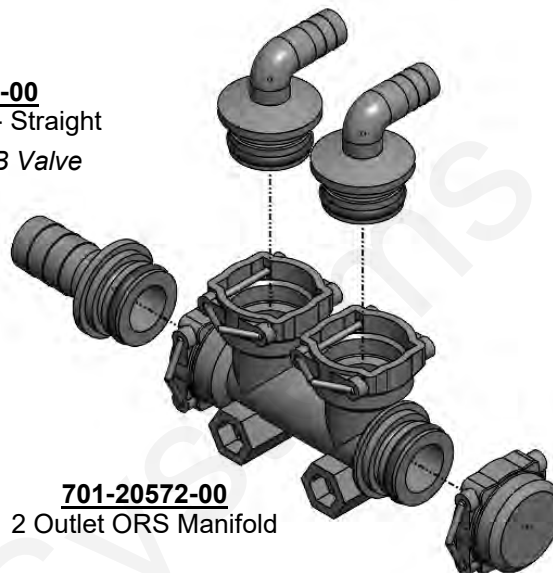




**Gen3 LiquiShift Boom Plumbing
Manifold Assembly
MY2021 ONLY - DISCONTINUED**

701-20512-00
ORS x 1/2" HB - 90°
Route 1/2" hose to
LiquiShift Tube Pair

701-20503-00
ORS x 3/4" HB - Straight
Connect to A/B Valve
Outlet

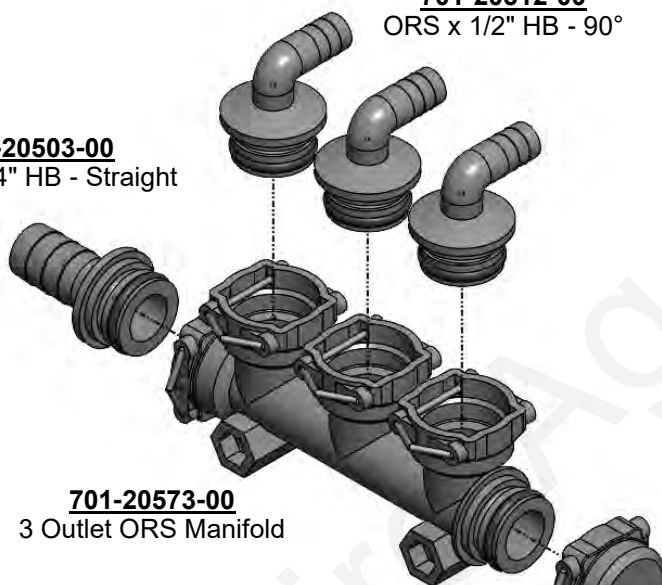


701-20572-00
2 Outlet ORS Manifold

701-20521-00
Manifold End Cap

701-20503-00
ORS x 3/4" HB - Straight

701-20512-00
ORS x 1/2" HB - 90°

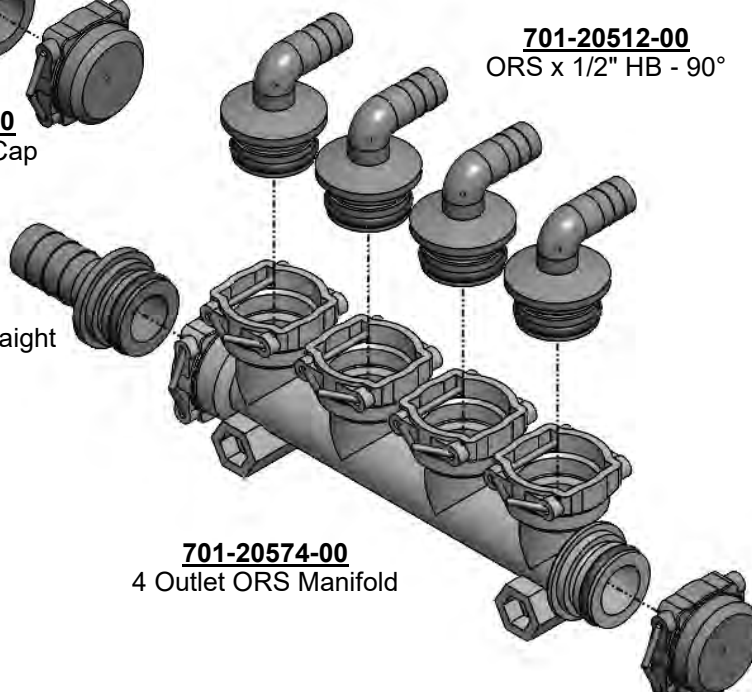


701-20573-00
3 Outlet ORS Manifold

701-20521-00
Manifold End Cap

701-20512-00
ORS x 1/2" HB - 90°

701-20503-00
ORS x 3/4" HB - Straight



701-20574-00
4 Outlet ORS Manifold

701-20521-00
Manifold End Cap

Optional Manifold Inlet Fittings:

- 701-20513-00 - ORS x 3/4" HB - 90 Degree
- 701-20504-00 - ORS x 1" HB

Notes:

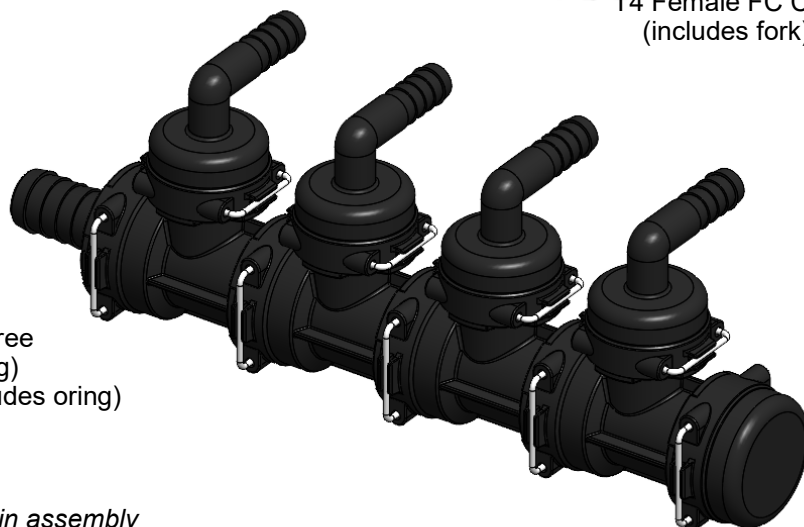
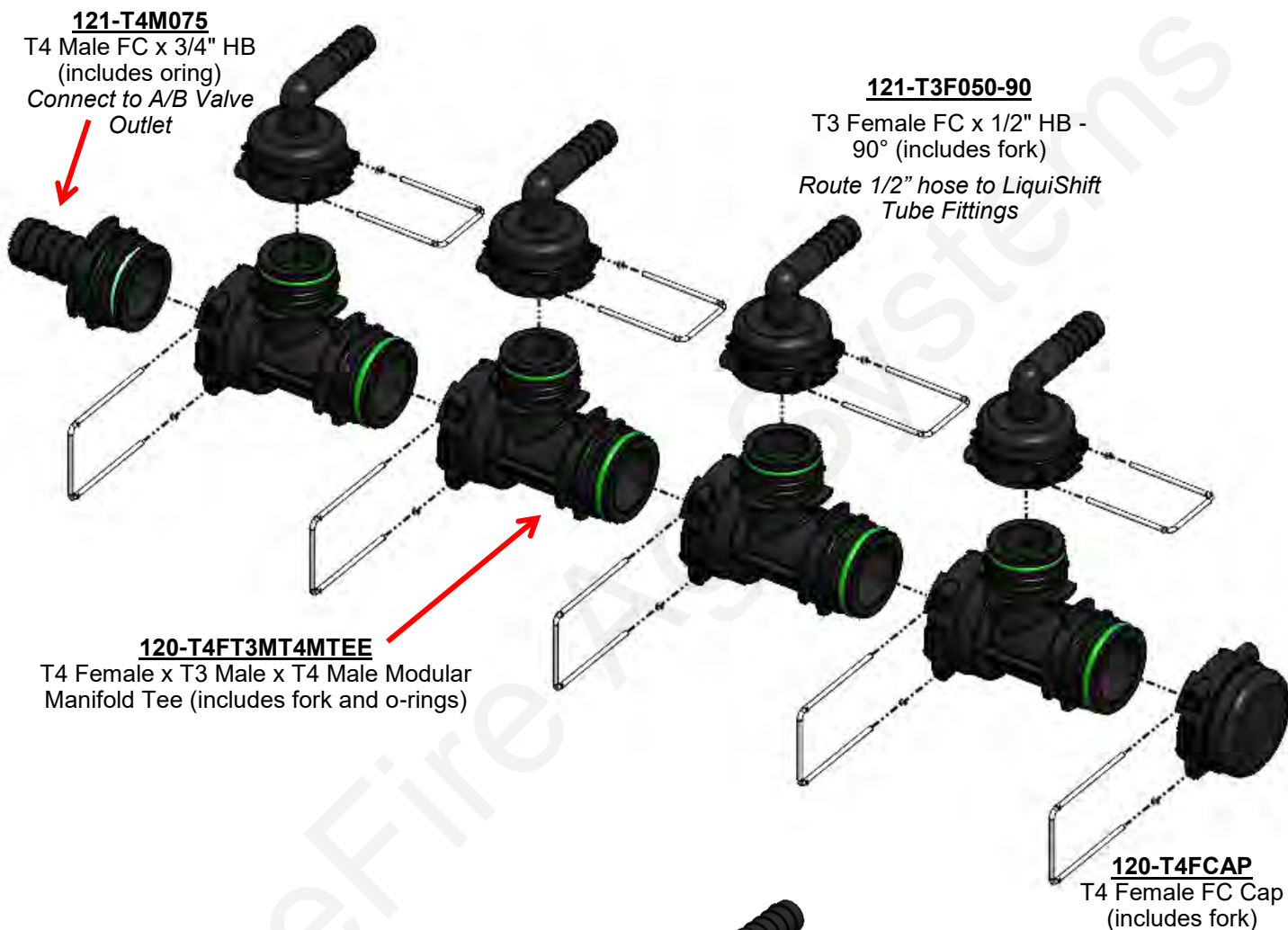
- FKM O-Rings Standard
- Use lubricant such as liquid silicone for ease in assembly





Variable Rate Technology

Gen3 LiquiShift Boom Plumbing Manifold Assembly



Optional Manifold Inlet Fittings:

- 121-T4M075-90 - T4 Male FC x 3/4" HB - 90 degree
- 121-T4M100 - T4 Male FC x 1" HB (includes oring)
- 121-T4M100-90 - T4 Male FC x 1" HB - 90° (includes oring)

Notes:

- FKM/Viton® O-Rings Standard
- Use lubricant such as liquid silicone for ease in assembly

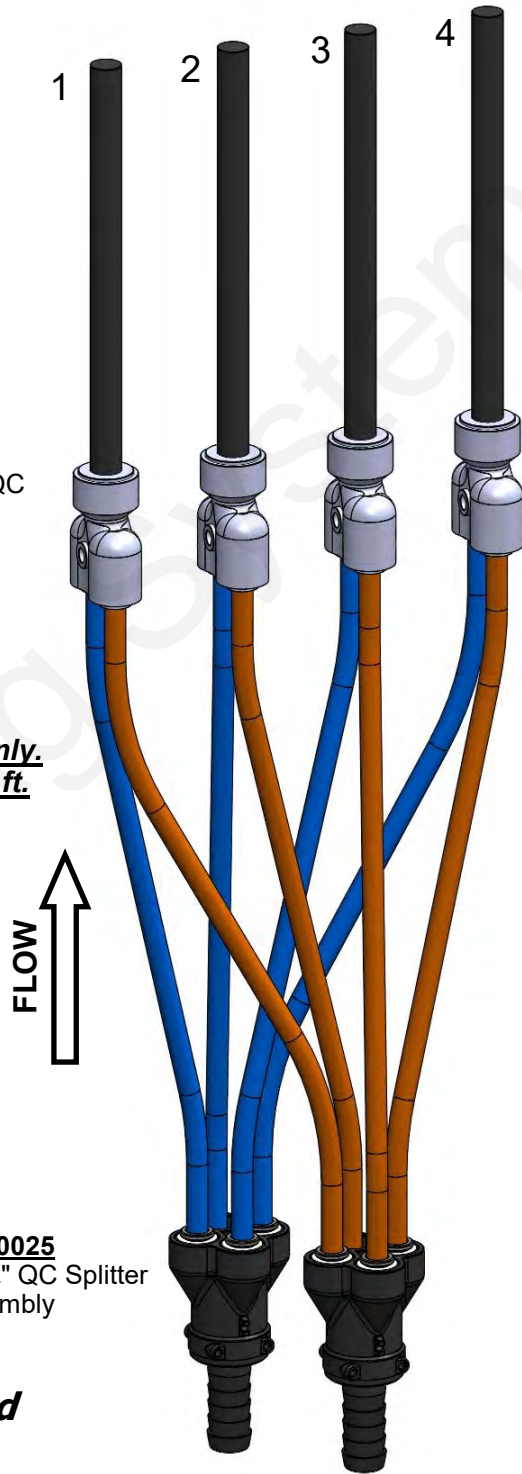


Gen3 LiquiShift Metering Tube Combo Kit for 4 Rows

Route to Flow Indicators / Sentinel Flow Module

113-19-038025025
Y Divider - 3/8" QC x 1/4" QC x 1/4" QC

Shown for illustration purposes only.
Typical metering tube length is 8 ft.



113-24-050025
1/2" HB x 4-way 1/4" QC Splitter
Final Assembly

Route 1/2" hose from manifold assembly to LiquiShift Tubes

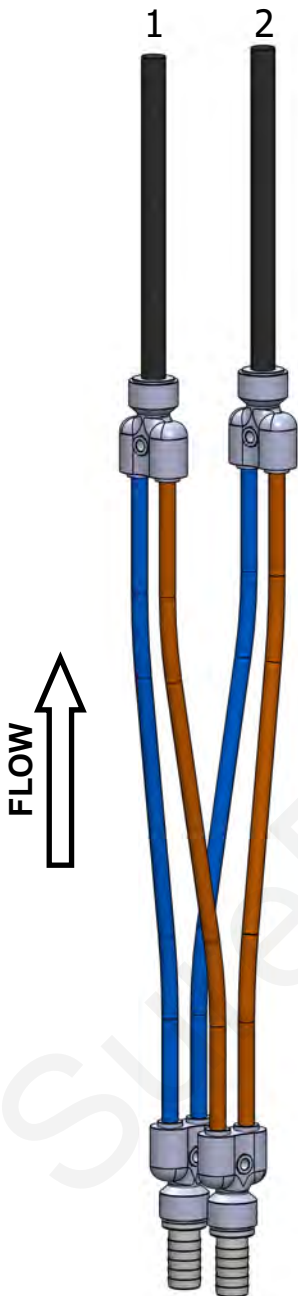
Plumb to "A"
Valves
Smaller DIA
Metering Tubes

Plumb to "B"
Valves
Larger DIA
Metering Tubes



LiquiShift Metering Tube Combo Kits for 2 or 3 rows

Kit: 523-02-800500
Tube Fitting Kit for 2 Rows



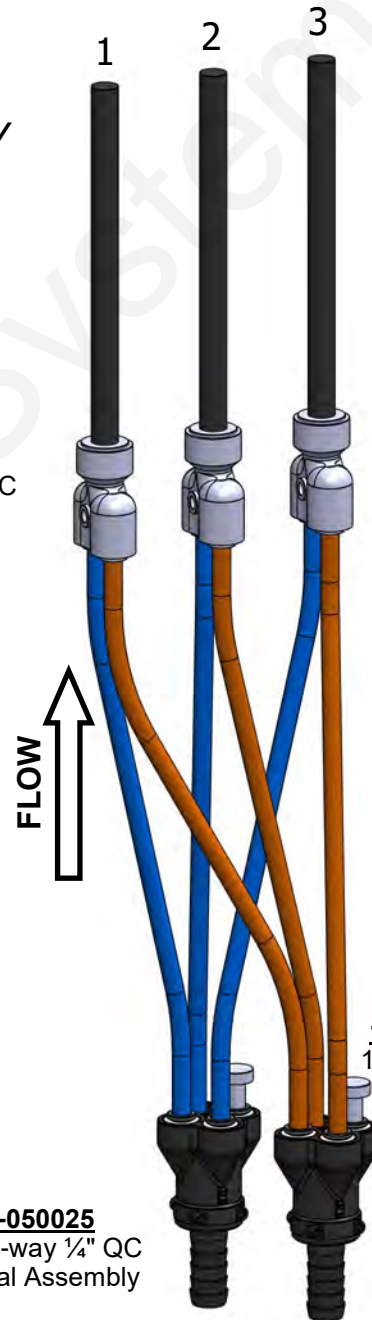
Plumb to "A" Valves Larger DIA Metering Tubes
 Plumb to "B" Valves Smaller DIA Metering Tubes

Route to Flow Indicators / Sentinel Flow Module

113-19-038025025
 Y Divider - 3/8" QC x 1/4" QC x 1/4" QC

Shown for illustration purposes only. Typical metering tube length is 8 ft.

Kit: 523-03-800500
Tube Fitting Kit for 3 Rows



Plumb to "A" Valves Larger DIA Metering Tubes
 Plumb to "B" Valves Smaller DIA Metering Tubes

113-24-050025
 1/2" HB x 4-way 1/4" QC Splitter Final Assembly

113-05-025
 1/4" QC Plug

Route 1/2" hose from manifold assembly to LiquiShift Tubes



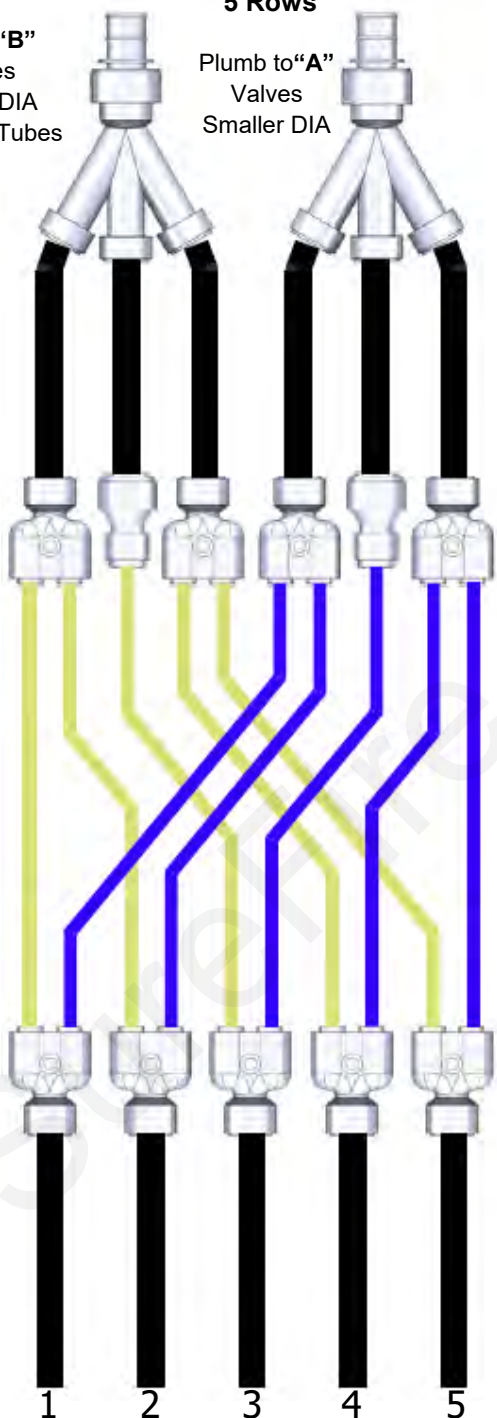
LiquiShift Metering Tube Combo Kits
for 5 or 6 rows

Kit: 523-05-800500

5 Rows

Plumb to "B"
Valves
Larger DIA
Metering Tubes

Plumb to "A"
Valves
Smaller DIA



TO 5 ROW UNITS

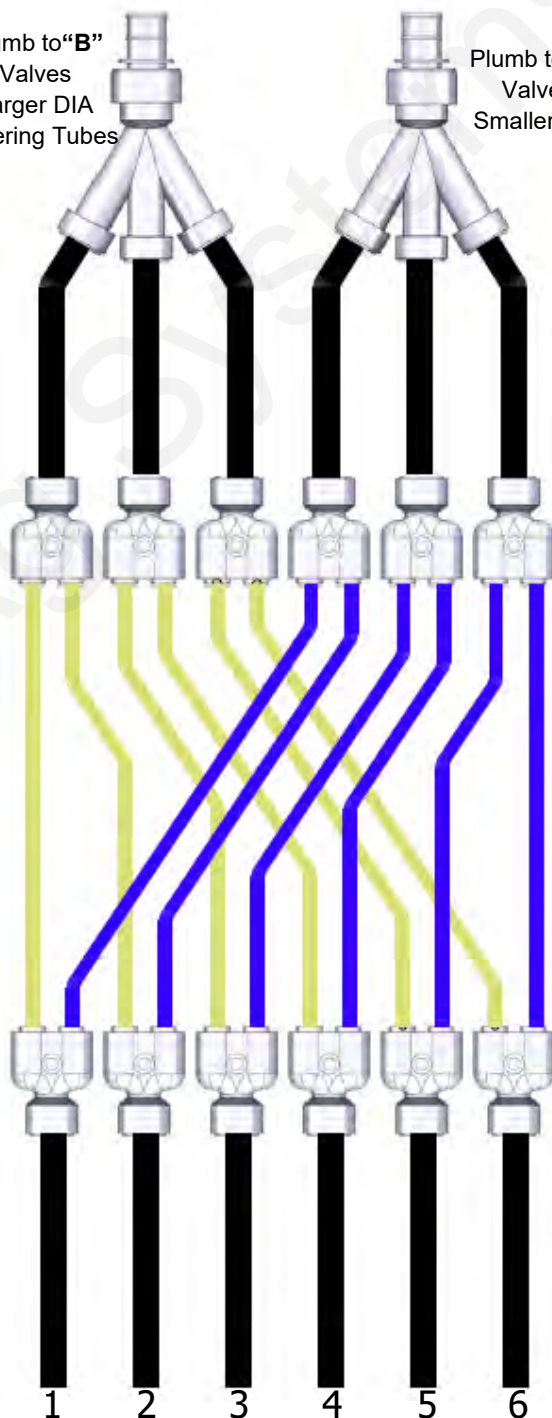
Kit: 523-06-800500

6 Rows

Plumb to "B"
Valves
Larger DIA
Metering Tubes

Plumb to "A"
Valves
Smaller DIA

FLOW
↓



TO 6 ROW UNITS



Variable Rate Technology

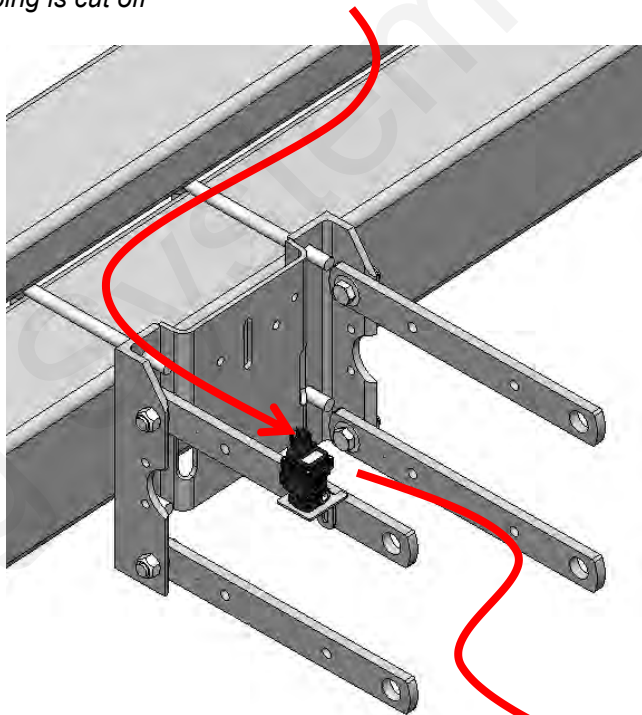
Gen3 LiquiShift Individual Row On/Off Valve

Gen3 LiquiShift installation is the cleanest when Flow Indicators / Sentinel Flowmeter Modules are distributed across the toolbar.

Valve P/N: **103-4496Y1 / 103-5016Y1 - Zip Valve - 3/8" Push to Connect.**

Note: Lubricate 3/8" tube or tube fitting and make sure 3/8" OD tubing is cut off flush and clean prior to installation to avoid rolling the o-ring.

1. Route 3/8" OD tubing or 3/8" hose from the Flow Indicator or Sentinel Flowmeter Module to the row unit. Avoid pinch points on the planter and allow for row unit travel.
2. Route 3/8" OD tubing or 3/8" hose from the Zip Valve to the placement device

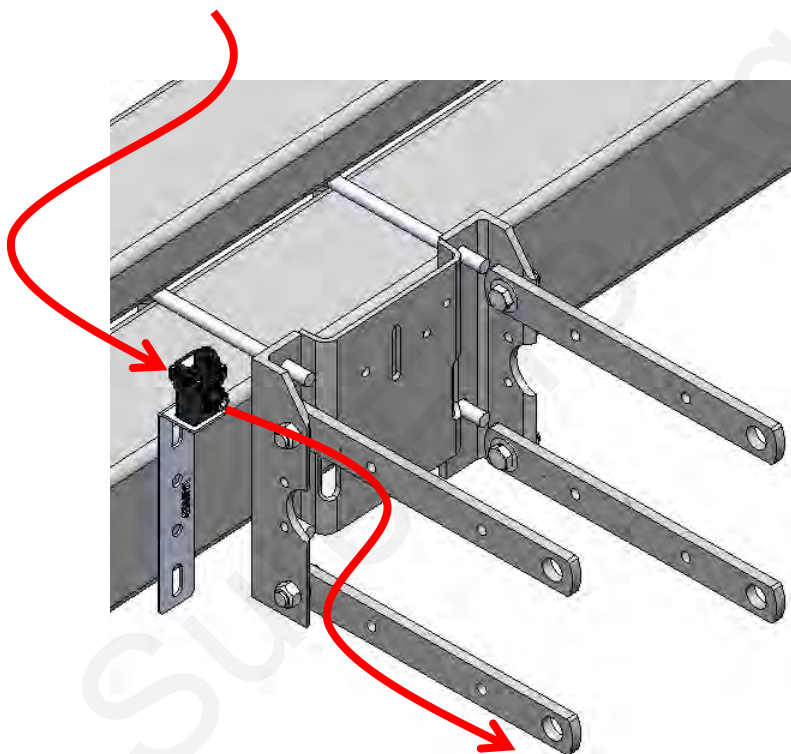


515-01-300100 - Parallel Arm Zip Valve Mounting Kit

Bracket and Hardware to mount the Zip Valve to the row unit parallel arm

515-01-300200 - Parallel Arm Zip Valve Mounting Kit for Dual Product

Bracket and Hardware to mount (2) Zip Valves to the row unit parallel arm for a dual product system



515-01-300300 - Toolbar Zip Valve Mounting Kit

Bracket and Hardware to mount the Zip Valve to toolbar
(Fits up to 8x8 toolbar)

515-01-300350 - Toolbar Zip Valve Mounting Kit for Dual Product

Bracket and Hardware to mount (2) Zip Valves to toolbar
(Fits up to 8x8 toolbar)



Gen3 LiquiShift Plumbing Diagrams 8 Row Planter / Applicator

8 Row Gen3 Plumbing Kit Options:

522-08-000500 - Gen3 LiquiShift - 8 Row 3/8" Hose Outlet Plumbing Kit with Flow Indicators

522-08-000600 - Gen3 LiquiShift - 8 Row 3/8" Hose Outlet Plumbing Kit with Sentinel

522-08-100500 - Gen3 LiquiShift - 8 Row 3/8" Tube Outlet Plumbing Kit with Flow Indicators

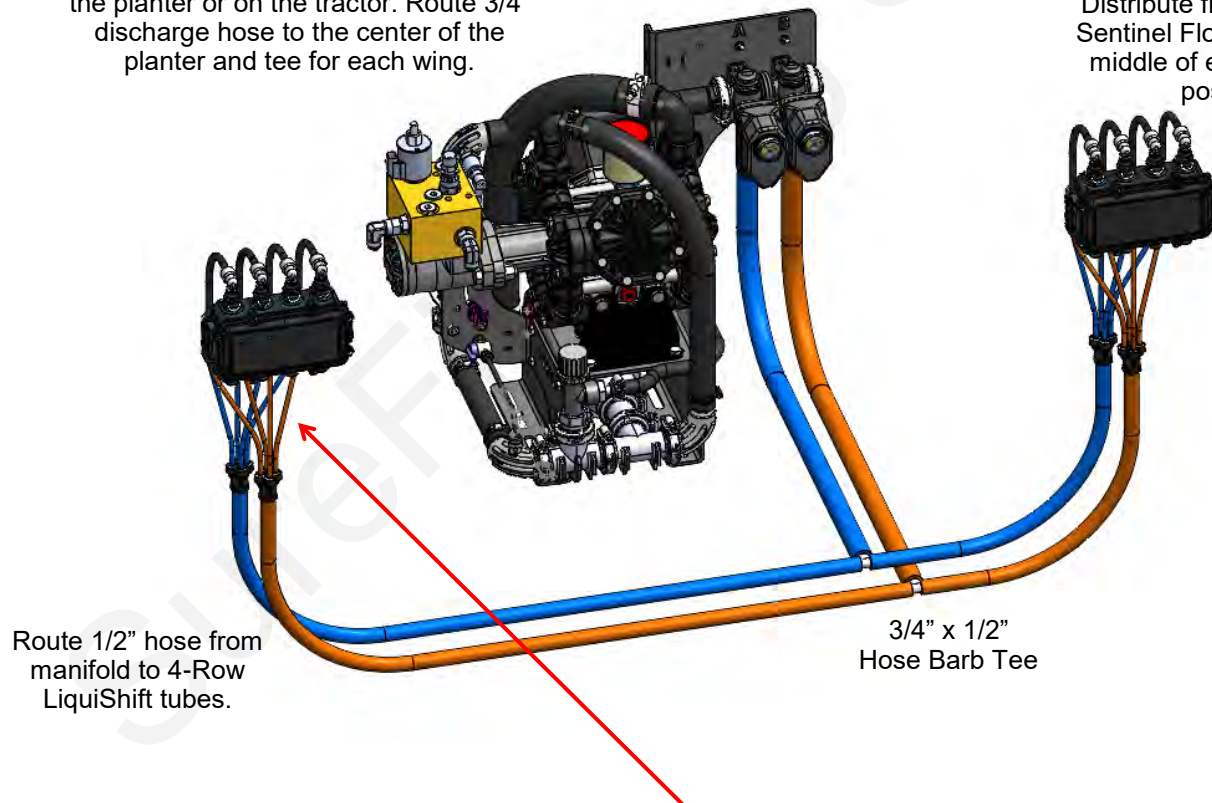
522-08-100600 - Gen3 LiquiShift - 8 Row 3/8" Tube Outlet Plumbing Kit with Sentinel

3/8" Hose Outlet Plumbing is recommended when using metering tubes larger than tan.

Pump may be mounted on the planter hitch, centralized location at the rear of the planter or on the tractor. Route 3/4" discharge hose to the center of the planter and tee for each wing.

Gen3 LiquiShift A/B
Control Valves

Distribute flow indicators /
Sentinel Flowmeters in the
middle of every 4 rows if
possible.



Route 1/2" hose from
manifold to 4-Row
LiquiShift tubes.

3/4" x 1/2"
Hose Barb Tee

Metering tube can be routed on the toolbar for a cleaner
looking installation or coiled and secured to the flow
indicator / Sentinel Flowmeter mounting bracket.

12 Row Gen3 Plumbing Kit Options:

522-12-000500 - Gen3 LiquiShift - 12 Row 3/8" Hose Outlet Plumbing Kit with Flow Indicators

522-12-000600 - Gen3 LiquiShift - 12 Row 3/8" Hose Outlet Plumbing Kit with Sentinel

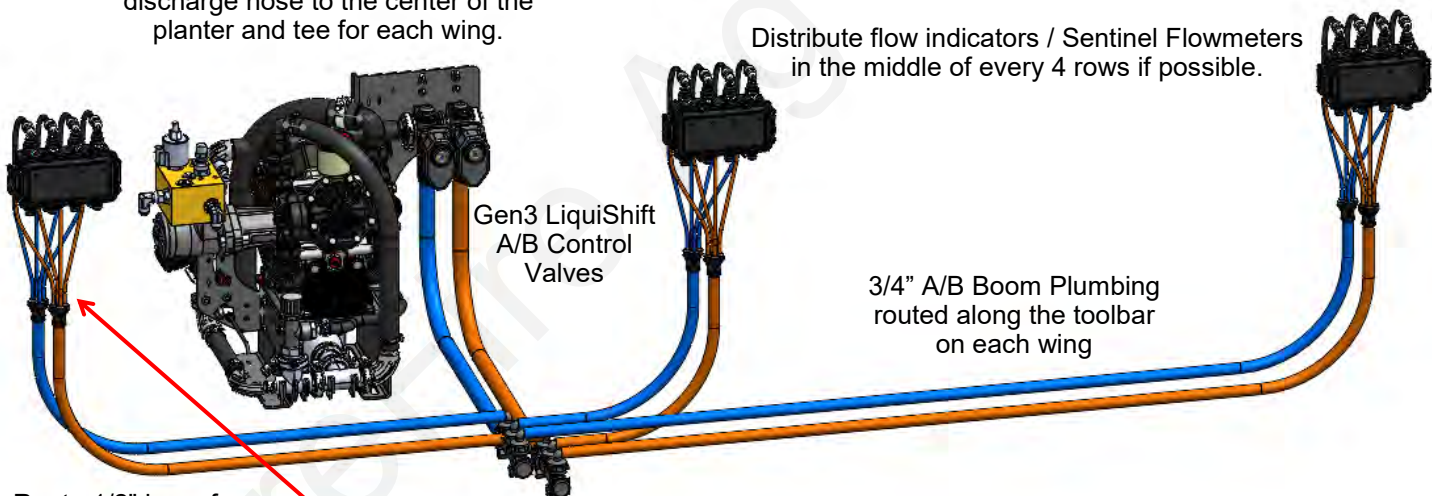
522-12-100500 - Gen3 LiquiShift - 12 Row 3/8" Tube Outlet Plumbing Kit with Flow Indicators

522-12-100600 - Gen3 LiquiShift - 12 Row 3/8" Tube Outlet Plumbing Kit with Sentinel

3/8" Hose Outlet Plumbing is recommended when using metering tubes larger than tan.

Pump may be mounted on the planter hitch, centralized location at the rear of the planter or on the tractor. Route 3/4" discharge hose to the center of the planter and tee for each wing.

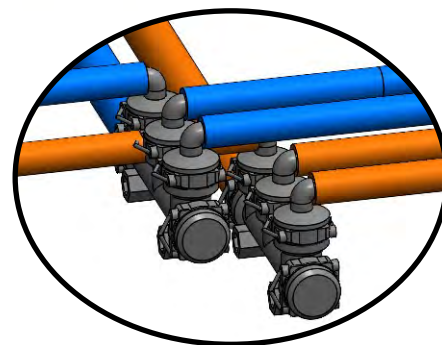
Distribute flow indicators / Sentinel Flowmeters in the middle of every 4 rows if possible.



Route 1/2" hose from manifold to 4-Row LiquiShift tubes.

3-Port Manifold mounted near the center/rear of the planter

Metering tube can be routed on the toolbar for a cleaner looking installation or coiled and secured to the flow indicator / Sentinel Flowmeter mounting bracket.



3-Port Manifold mounted near the center/rear of the planter

Gen3 LiquiShift Plumbing Diagrams 16 Row Planter / Applicator

16 Row Gen3 Plumbing Kit Options:

522-16-000500 - Gen3 LiquiShift - 16 Row 3/8" Hose Outlet Plumbing Kit with Flow Indicators

522-16-000600 - Gen3 LiquiShift - 16 Row 3/8" Hose Outlet Plumbing Kit with Sentinel

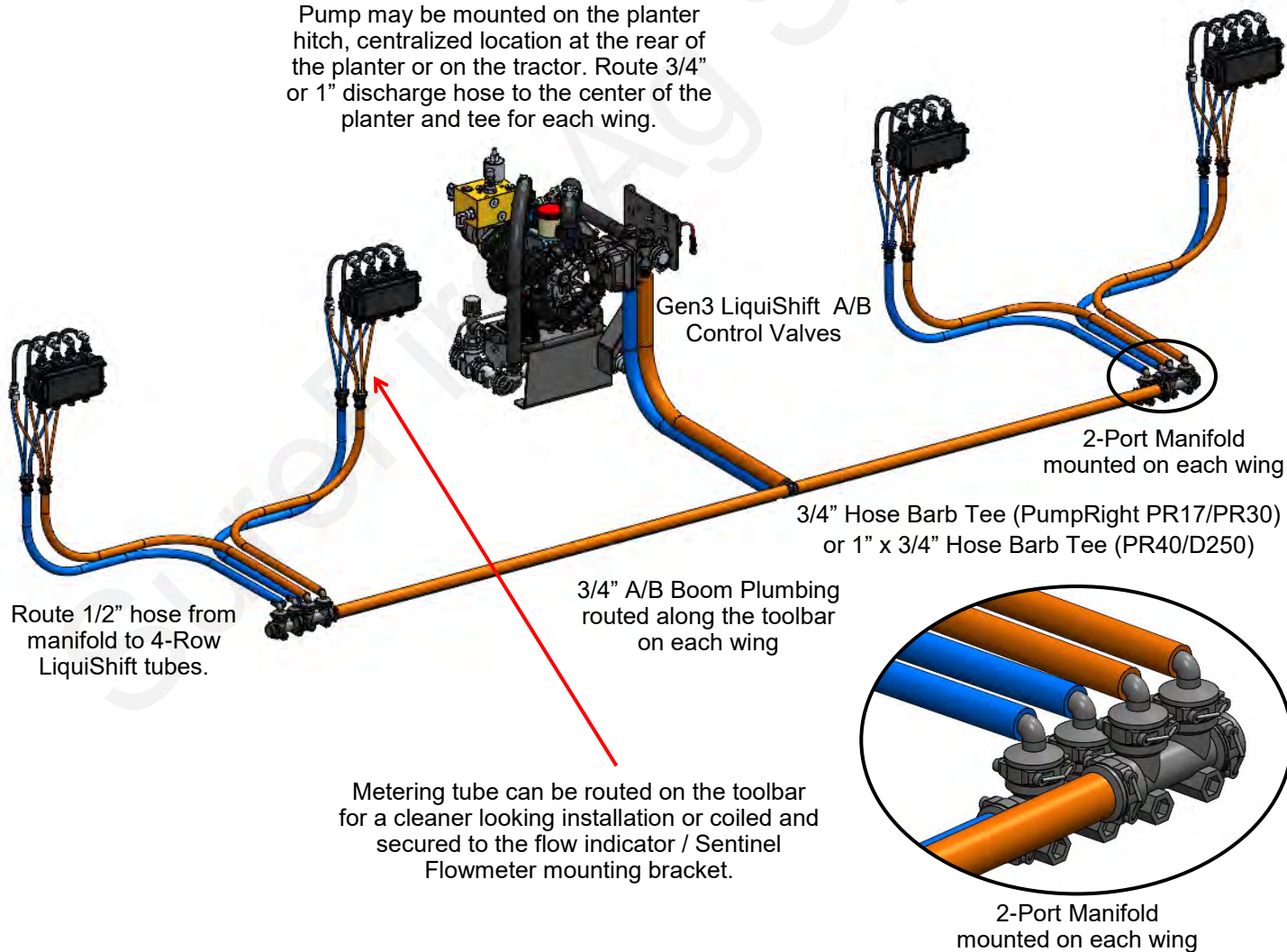
522-16-100500 - Gen3 LiquiShift - 16 Row 3/8" Tube Outlet Plumbing Kit with Flow Indicators

522-16-100600 - Gen3 LiquiShift - 16 Row 3/8" Tube Outlet Plumbing Kit with Sentinel

3/8" Hose Outlet Plumbing is recommended when using metering tubes larger than tan.

Distribute flow indicators / Sentinel Flowmeters in the middle of every 4 rows if possible.

Pump may be mounted on the planter hitch, centralized location at the rear of the planter or on the tractor. Route 3/4" or 1" discharge hose to the center of the planter and tee for each wing.



Gen3 LiquiShift Plumbing Diagrams 24 Row Planter / Applicator

24 Row Gen3 Plumbing Kit Options:

522-24-000500 - Gen3 LiquiShift - 24 Row 3/8" Hose Outlet Plumbing Kit with Flow Indicators

522-24-000600 - Gen3 LiquiShift - 24 Row 3/8" Hose Outlet Plumbing Kit with Sentinel

522-24-100500 - Gen3 LiquiShift - 24 Row 3/8" Tube Outlet Plumbing Kit with Flow Indicators

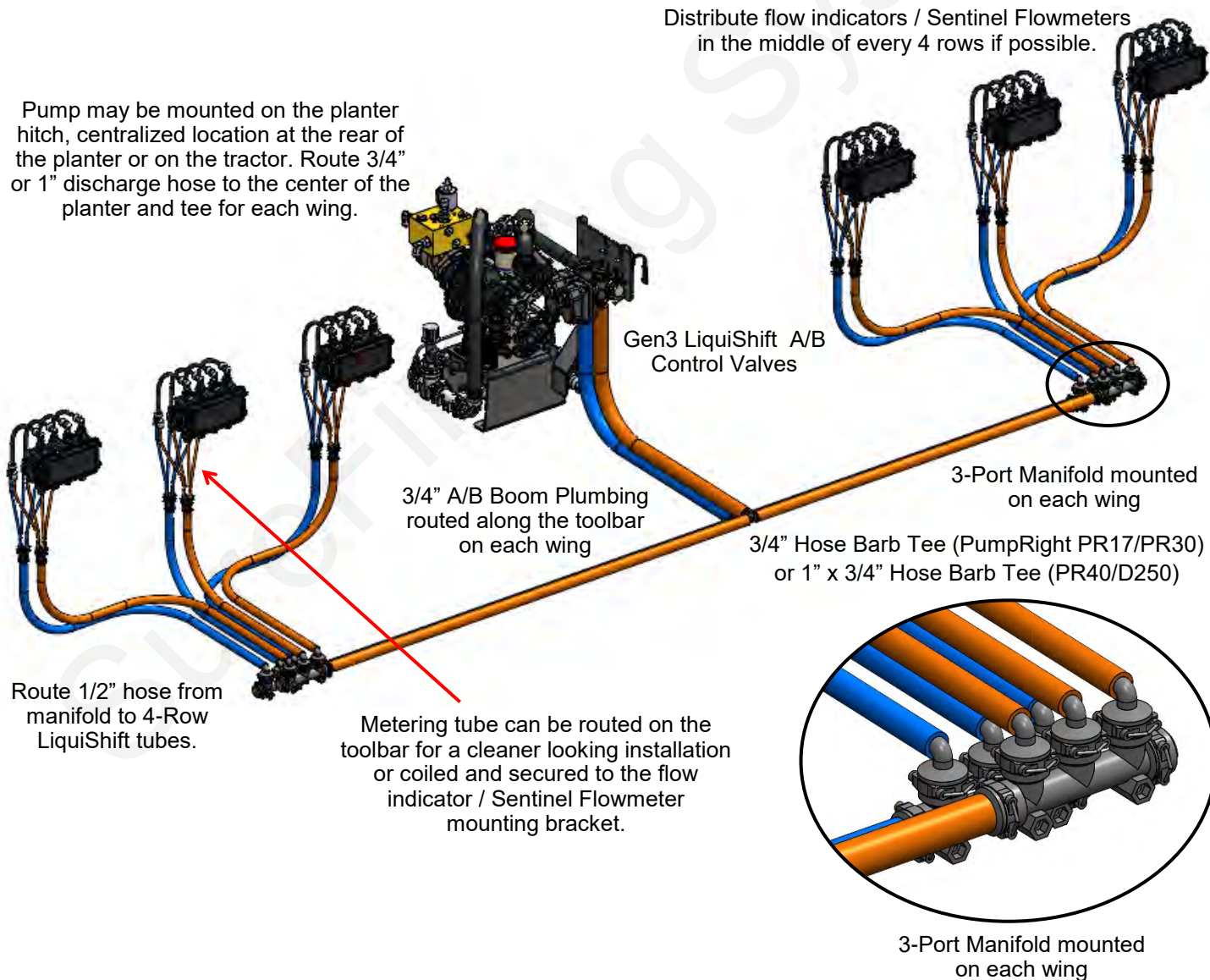
522-24-100600 - Gen3 LiquiShift - 24 Row 3/8" Tube Outlet Plumbing Kit with Sentinel

3/8" Hose Outlet Plumbing is recommended when using metering tubes larger than tan.

3/8" Hose Outlet Plumbing may be better on 60' implements if there are greater differences in the distance to rows.

Distribute flow indicators / Sentinel Flowmeters in the middle of every 4 rows if possible.

Pump may be mounted on the planter hitch, centralized location at the rear of the planter or on the tractor. Route 3/4" or 1" discharge hose to the center of the planter and tee for each wing.



Gen3 LiquiShift Plumbing Diagrams 32 Row Planter / Applicator

36 Row Gen3 Plumbing Kit Options:

522-32-000500 - Gen3 LiquiShift - 36 Row 3/8" Hose Outlet Plumbing Kit with Flow Indicators

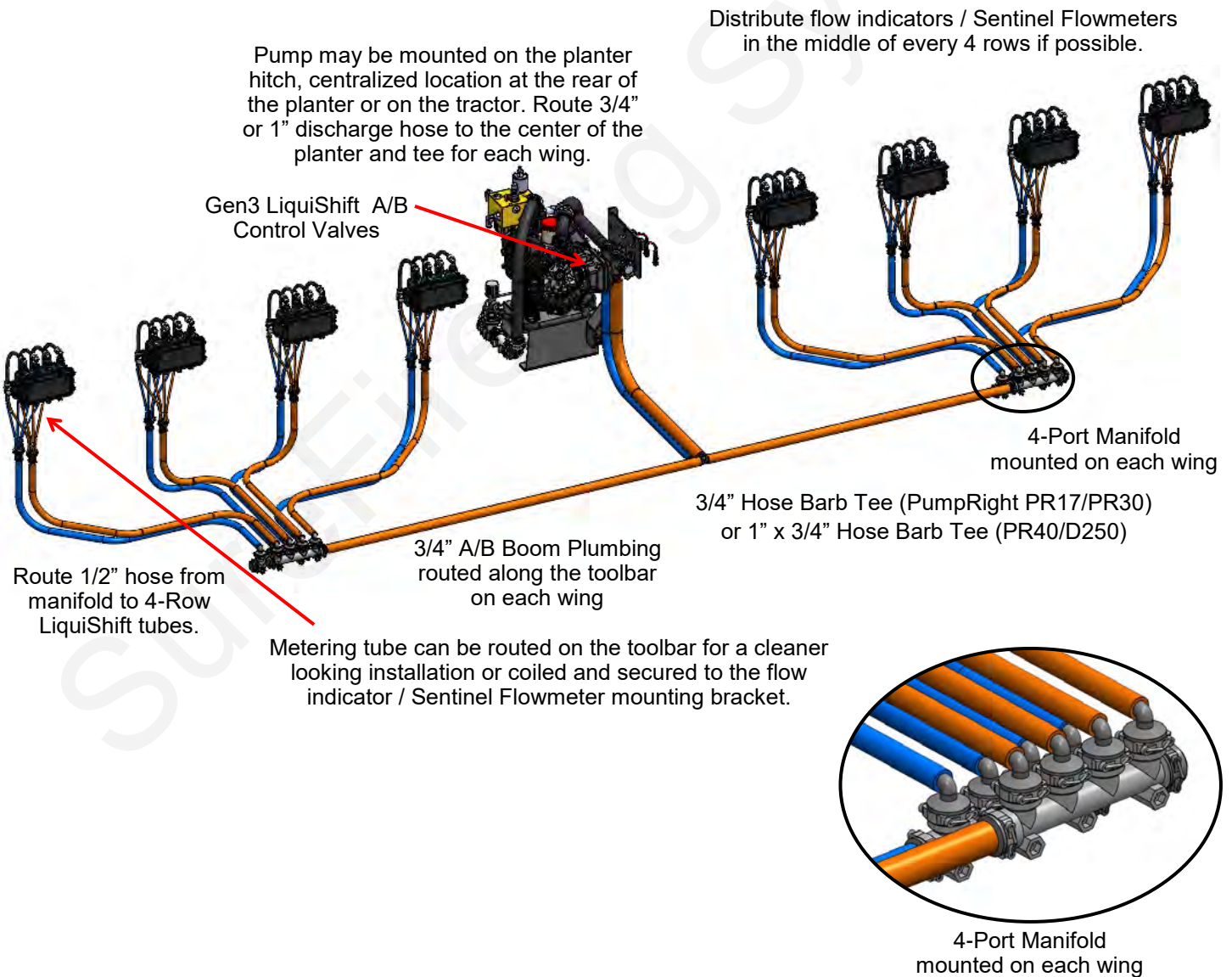
522-32-000600 - Gen3 LiquiShift - 36 Row 3/8" Hose Outlet Plumbing Kit with Sentinel

522-32-100500 - Gen3 LiquiShift - 36 Row 3/8" Tube Outlet Plumbing Kit with Flow Indicators

522-32-100600 - Gen3 LiquiShift - 36 Row 3/8" Tube Outlet Plumbing Kit with Sentinel

3/8" Hose Outlet Plumbing is recommended when using metering tubes larger than tan.

3/8" Hose Outlet Plumbing may be better on 60' implements if there are greater differences in the distance to rows.



Gen3 LiquiShift Plumbing Diagrams 36 Row Planter / Applicator

36 Row Gen3 Plumbing Kit Options:

522-36-000500 - Gen3 LiquiShift - 36 Row 3/8" Hose Outlet Plumbing Kit with Flow Indicators

522-36-000600 - Gen3 LiquiShift - 36 Row 3/8" Hose Outlet Plumbing Kit with Sentinel

522-36-100500 - Gen3 LiquiShift - 36 Row 3/8" Tube Outlet Plumbing Kit with Flow Indicators

522-36-100600 - Gen3 LiquiShift - 36 Row 3/8" Tube Outlet Plumbing Kit with Sentinel

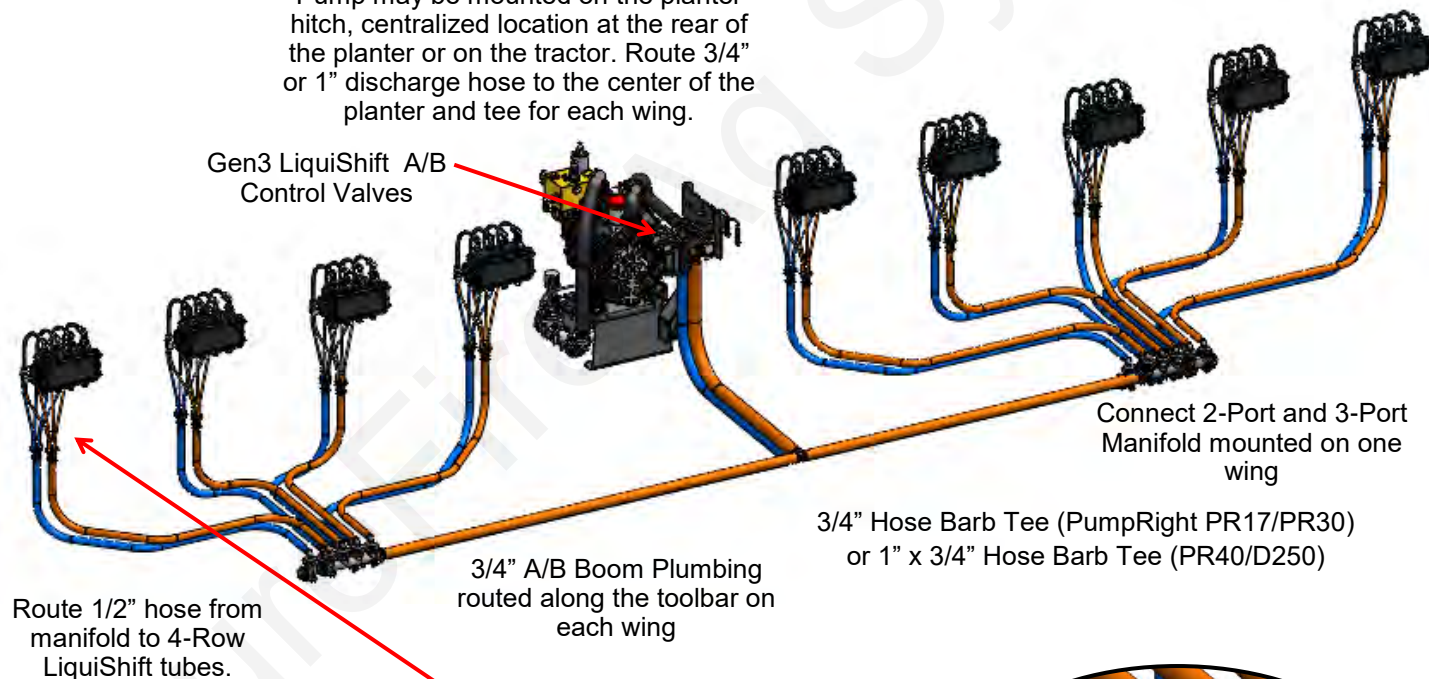
3/8" Hose Outlet Plumbing is recommended when using metering tubes larger than tan.

3/8" Hose Outlet Plumbing may be better on 60' implements if there are greater differences in the distance to rows.

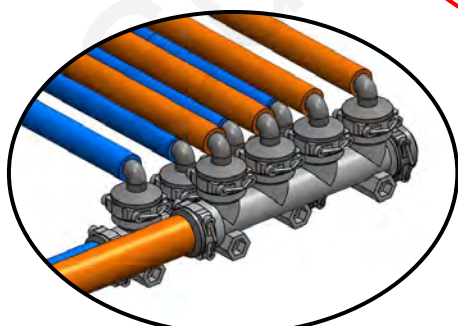
Distribute flow indicators / Sentinel Flowmeters in the middle of every 4 rows if possible.

Pump may be mounted on the planter hitch, centralized location at the rear of the planter or on the tractor. Route 3/4" or 1" discharge hose to the center of the planter and tee for each wing.

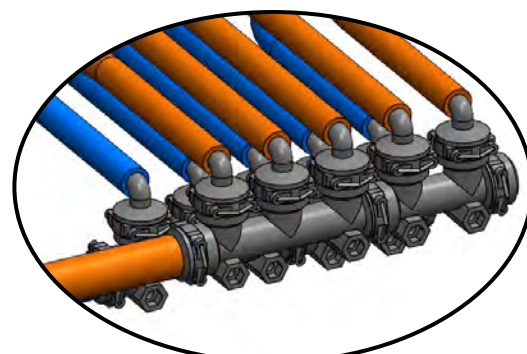
Gen3 LiquiShift A/B Control Valves



Metering tube can be routed on the toolbar for a cleaner looking installation or coiled and secured to the flow indicator / Sentinel Flowmeter mounting bracket.



4-Port Manifold mounted on one wing



Connect 2-Port and 3-Port Manifold mounted on one wing

LiquiShift Controller



The LiquiShift Controller is typically mounted on the LiquiShift valve stack. The lights provide valuable diagnostic information. Becoming familiar with the lights during normal operation will help in identifying issues when the system is not working as it should. See the next page for troubleshooting and diagnostics.

The LiquiShift Controller uses the voltage output from the pressure transducer to decide whether to open the “A” valve for the smaller tubes, the “B” valve for the larger tubes, or both the “A” and “B” valves.

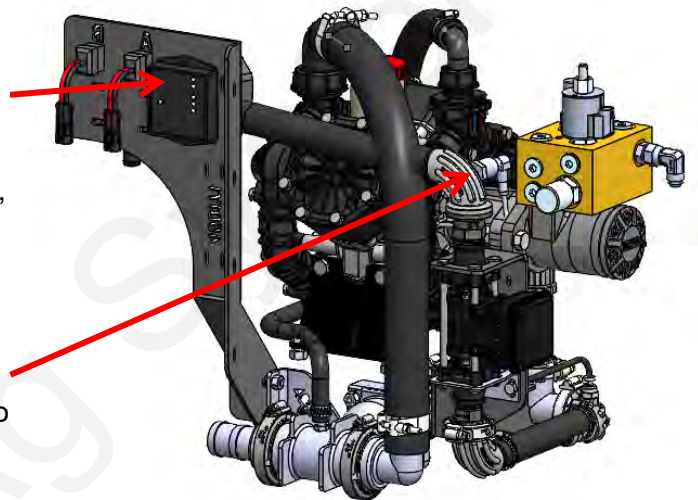
Pump Mounted LiquiShift Valve Stack

The **LiquiShift Controller** (218-2565Y1) is mounted on the back side of the LiquiShift valve mounting bracket.

The “**A**” valve, which is connected to the smaller tubes, are on the left side of the LiquiShift valve bracket.

The “**B**” valve, which is connected to the larger tubes, are on the right side of the LiquiShift valve bracket.

The **pressure transducer**, which is the key component for the system deciding when to change from one tube to the other, is located at the discharge of the system flowmeter. It is plugged into the **Control Pressure Connector** on the Pump Final harness.



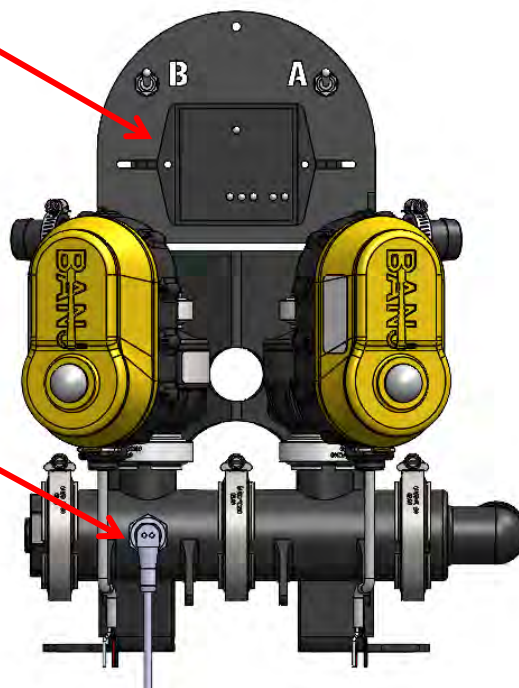
Stand Alone LiquiShift Valve Stack

The **LiquiShift Controller** (218-2565Y1) is mounted on the front of the LiquiShift valve mounting bracket.

The “**A**” valve, which is connected to the smaller tubes, is on the right side of the LiquiShift Tower.

The “**B**” valve, which is connected to the larger tubes, is on the left side of the LiquiShift Tower.

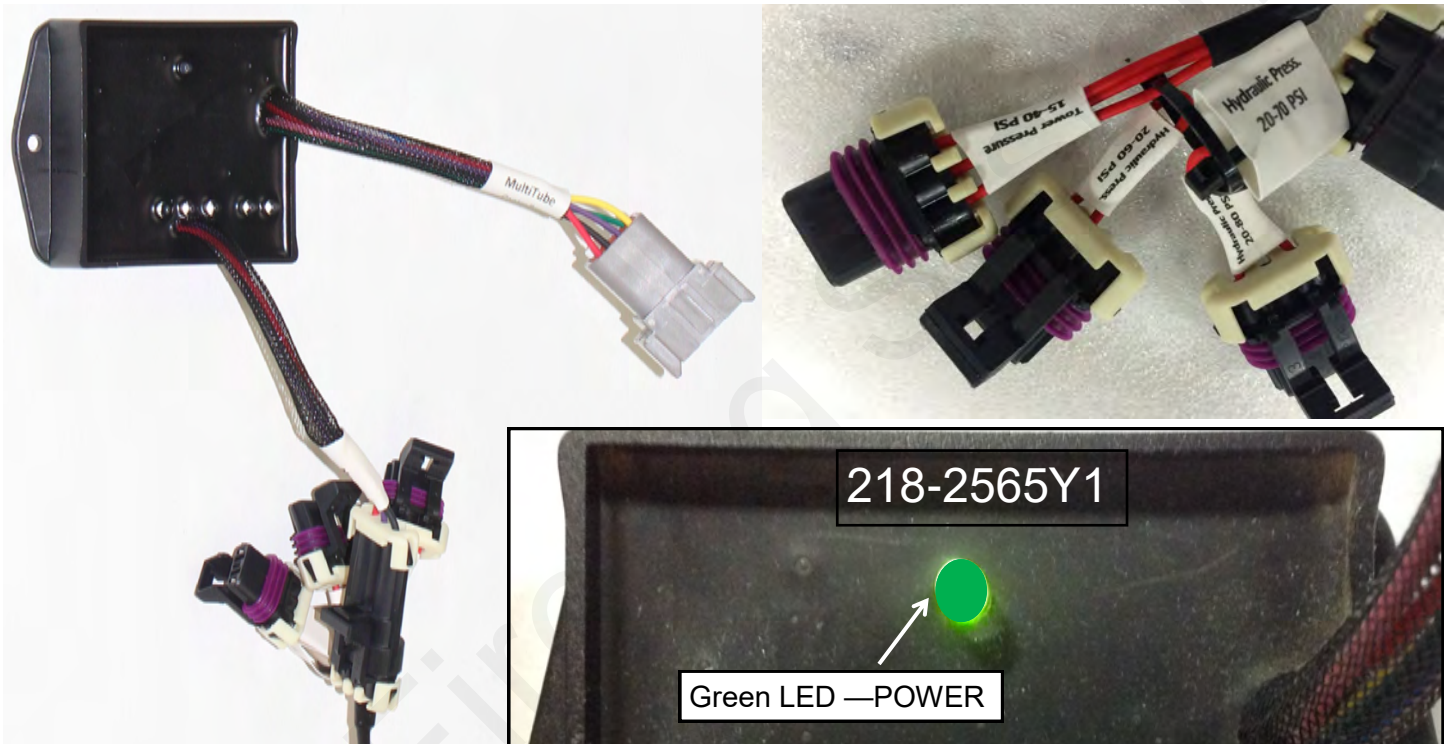
The **pressure transducer**, which is the key component for the system deciding when to change from one tube to the other, is located at the bottom of the LiquiShift tower. It is plugged into the **Control Pressure Connector** on the Pump Final harness.



SureFire LiquiShift Mode Selection

The LiquiShift controller decides which tube(s) should be in use at any given time based on the voltage reading from the pressure sensor. The controller will open Valve A for the small tube, or Valve B for the large tube, or both valves, depending on the flow needed.

The LiquiShift ships with default shifting pressure of 20 PSI and 70 PSI. For most tube combinations these pressure points provide adequate overlap when shifting from one tube to the other. If there is not enough overlap when shifting between tubes, the LiquiShift could shift back and forth repeatedly. The shifting points can be changed by unplugging the 20-70 PSI jumper and plugging in the desired range. **Do not change this jumper without a thorough understanding of the pressure/flow range of each tube.** There are 4 settings available: 20-70 PSI (Default), 20-60 PSI, 20-80 PSI, and 15-40 PSI for Electric Tower systems (demo only).



Diagnostic - Lights

The lights on the LiquiShift Control Module provide valuable diagnostic information. Becoming familiar with the lights during normal operation will help in identifying issues when the system is not working as it should.

In **normal operation**, there should be a **Green** light, a **Red** light, and one or two **Blue** lights ON when the system is applying.



Toggle Switches for LiquiShift Manual Override

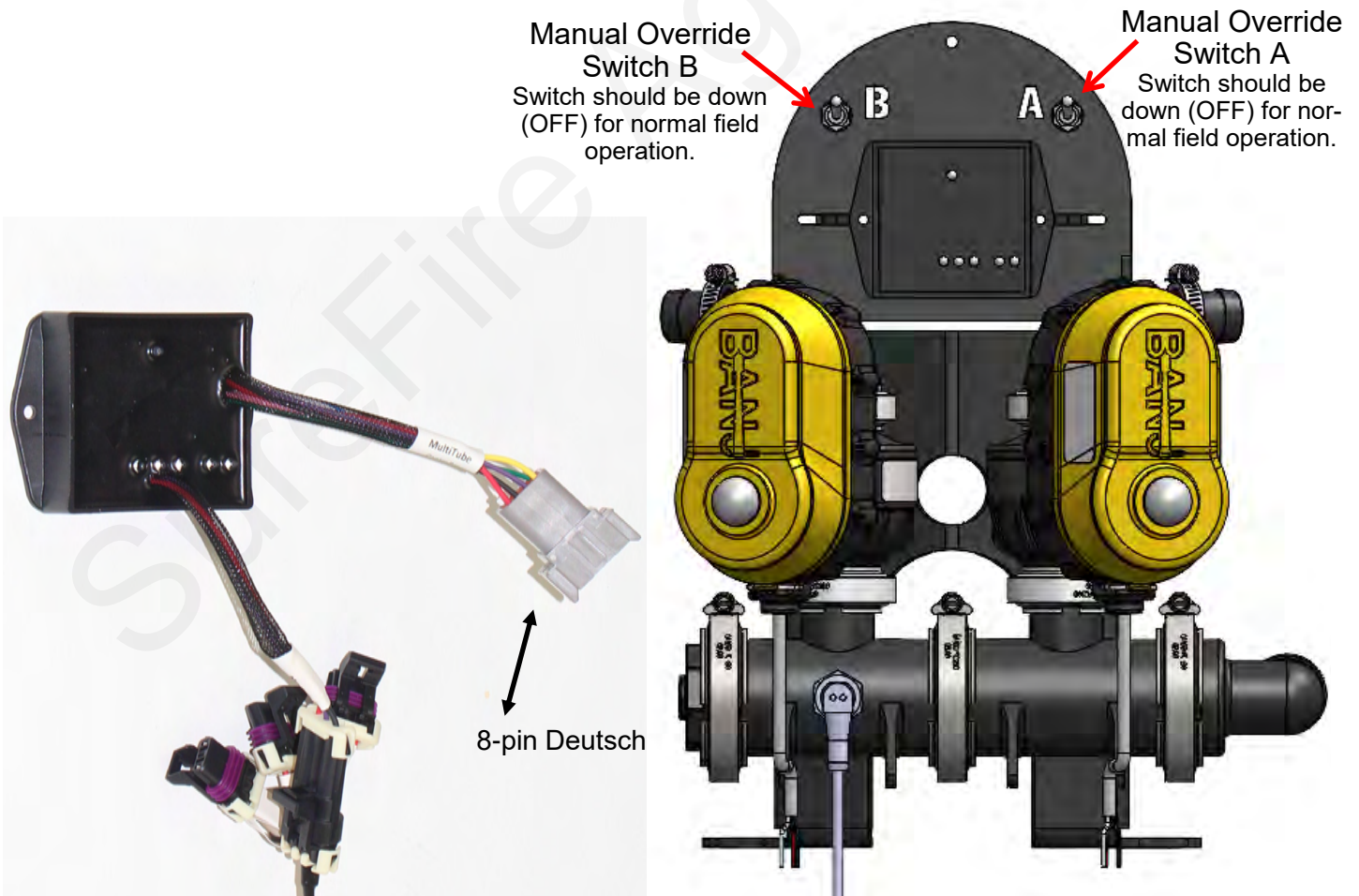
The manual override features allows the user to manually open both sets of valves (A & B) for testing, flushing, winterizing, or for running the system in the event of a pressure transducer failure.

For normal operation, the manual override switches must be OFF (in the down position.)

When running a normal Section Test, only the A valves will open, unless the pressure goes above 70 psi. To manually open both sets of valves, put the toggle switches in the Up position. The BLUE light for A and B will light up when that switch is ON. To open the valve, you must send a signal from the controller, such as with a Section Test, Nozzle Flow Check, Calibrate PWM Limits, Diagnostic Test, or other manual operating mode.

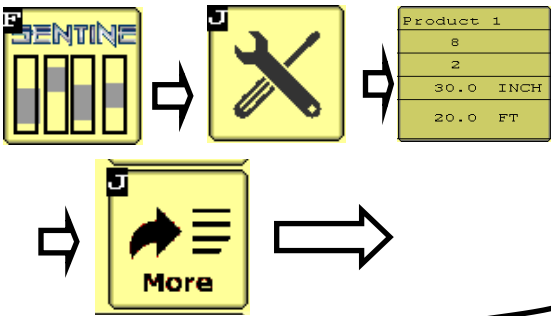
For Emergency operation with manual override switches

In the event of a pressure transducer failure where the valves won't shift, you can use this feature to run the system with A or B or both sides open. *(If the pressure transducer fails, only side A will be on all the time.)* To operate the system in a completely manual mode, unplug the 8-pin Deutsch connector on the LiquiShift Control Module (218-2565Y1) on the back of the LiquiShift valve stack. Then use the A and B switches to turn on the small tubes (A) or the large tubes (B) or both sets of tubes. When running in this manner, the system will not switch tubes, but will run all the time with the tube(s) you have selected. This may allow you to operate until you get replacement parts.



LiquiShift with ISO Sentinel Control

To control the LiquiShift with the Sentinel, enable the LiquiShift on the Sentinel Product Setup page.



Product 1
1-Product

LiquiShift Enbl Split Row Md

Rate for Outside Rows X 1.0

Note: If the LiquiShift is being controlled by the Sentinel module, the system will NOT use the LiquiShift Controller (218-2565Y1) shown on page 19.

LiquiShift Enbl - Check this box if your system includes a SureFire LiquiShift that will be controlled through the Sentinel.



Press **SAVE** when Product Setup is complete - Task Control will restart.

LiquiShift Run Screen on the Sentinel



The LiquiShift button will now be displayed on the HOME screen

Using Sentinel to control your LiquiShift eliminates the need for the LiquiShift Controller (218-2565Y1). The Sentinel gives the operator absolute control over the LiquiShift shift points, real-time pressure readings, and provides in-cab manual control.

High Pressure Up Shift Point is typically 70 PSI. Low Pressure Down Shift Point is typically 20 PSI.

It is possible to change the High Pressure and Low Pressure Shift Points, but they must be set at points that provide enough overlap for the tube combination being used, or else the system may end up shifting back and forth from Valve A to Valve B.

When the system switches from Valve A to Valve B, the pressure must be high enough after the switch so that it does not immediately shift back to Valve A. *Changing these shift points may cause erratic system operation if the shift points are not appropriate for the tube combination in use.*

Active Manifold will light up to show which manifold(s) is(are) active. To select the Valve Bank(s) manually, turn off AUTO, and select A or B or Both. This can be used for testing or for flushing/rinsing the system.

LIQUISHIFT
Variable Rate Technology

High Pressure Up Shift Point 70.0 PSI

Low Pressure Down Shift Point 20.0 PSI

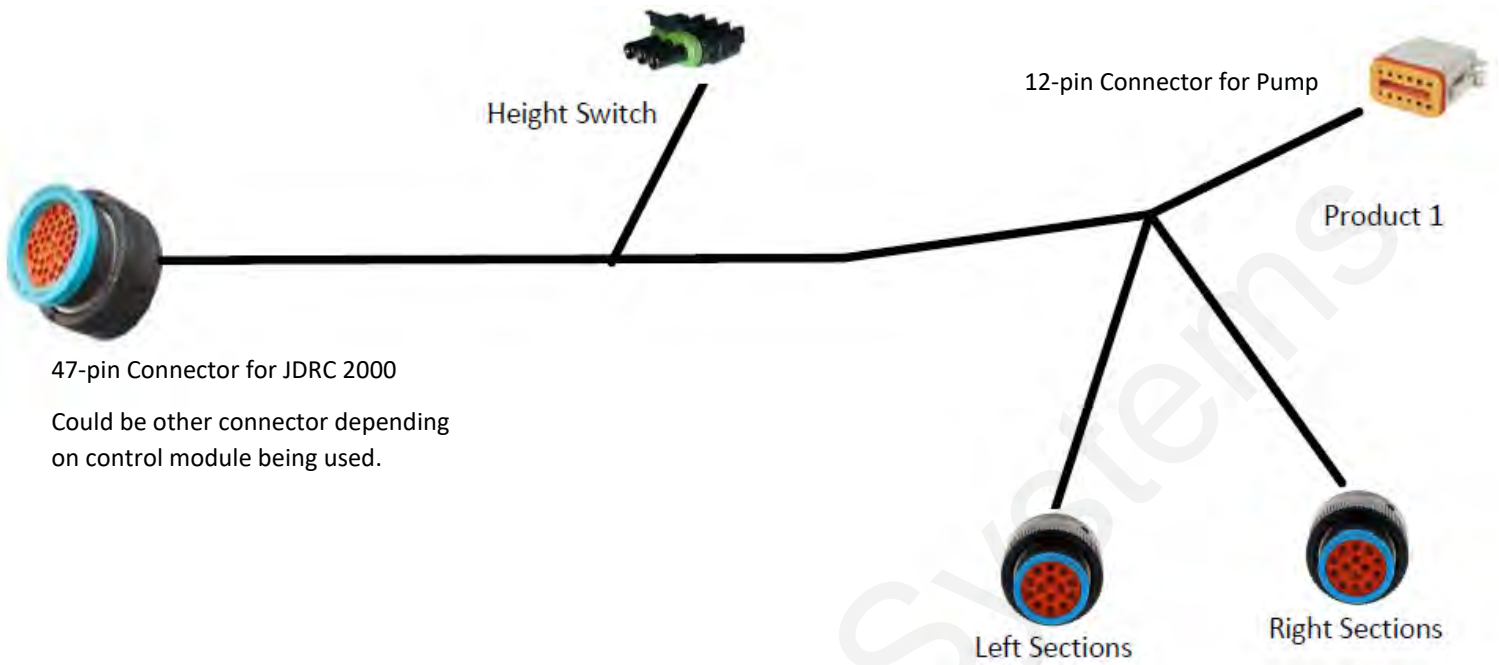
ACTIVE MANIFOLD

AUTO

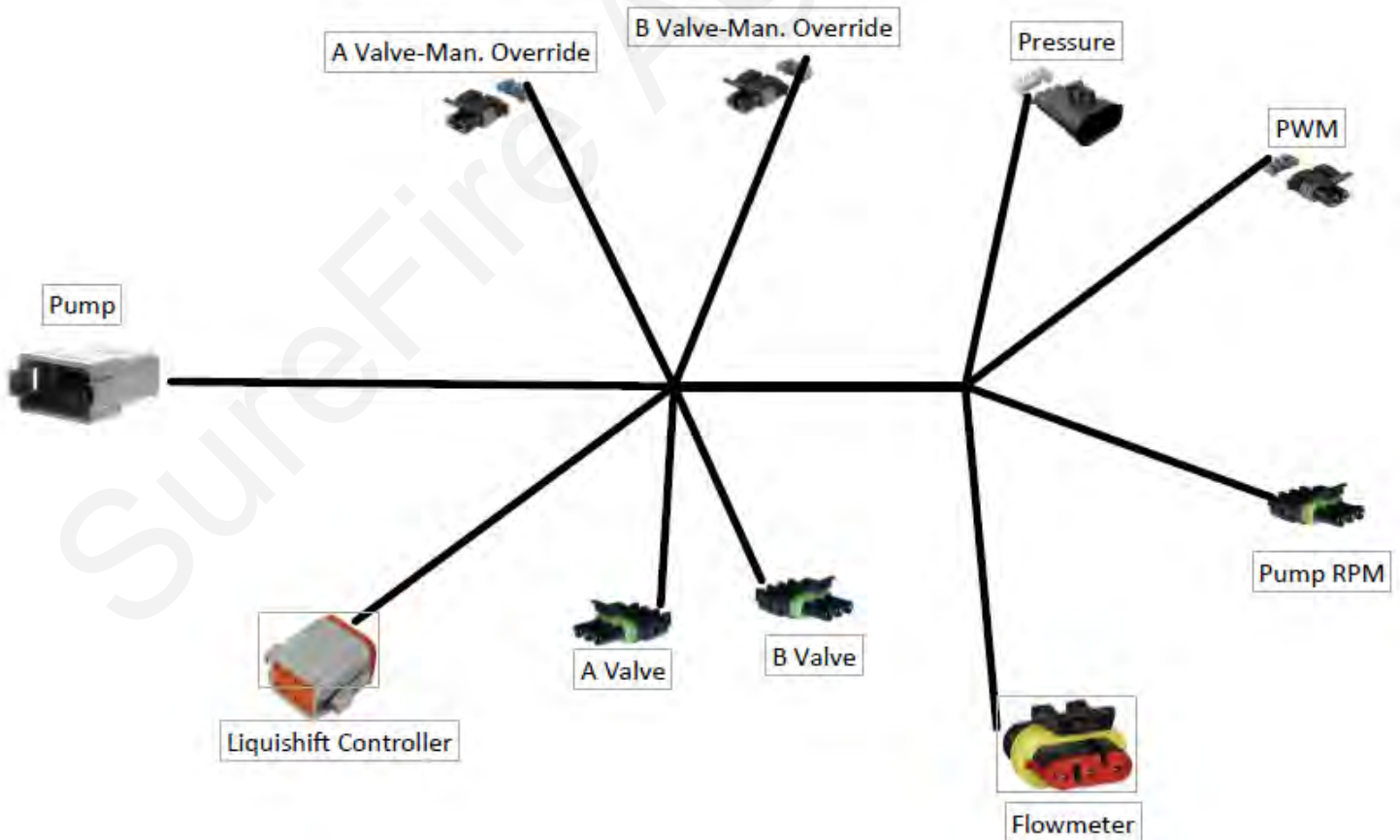
A B

Typical Harness Layout for Gen3 LiquiShift Systems

1) Main Adapter Harness (213-06-4xxx)—connects to rate control module



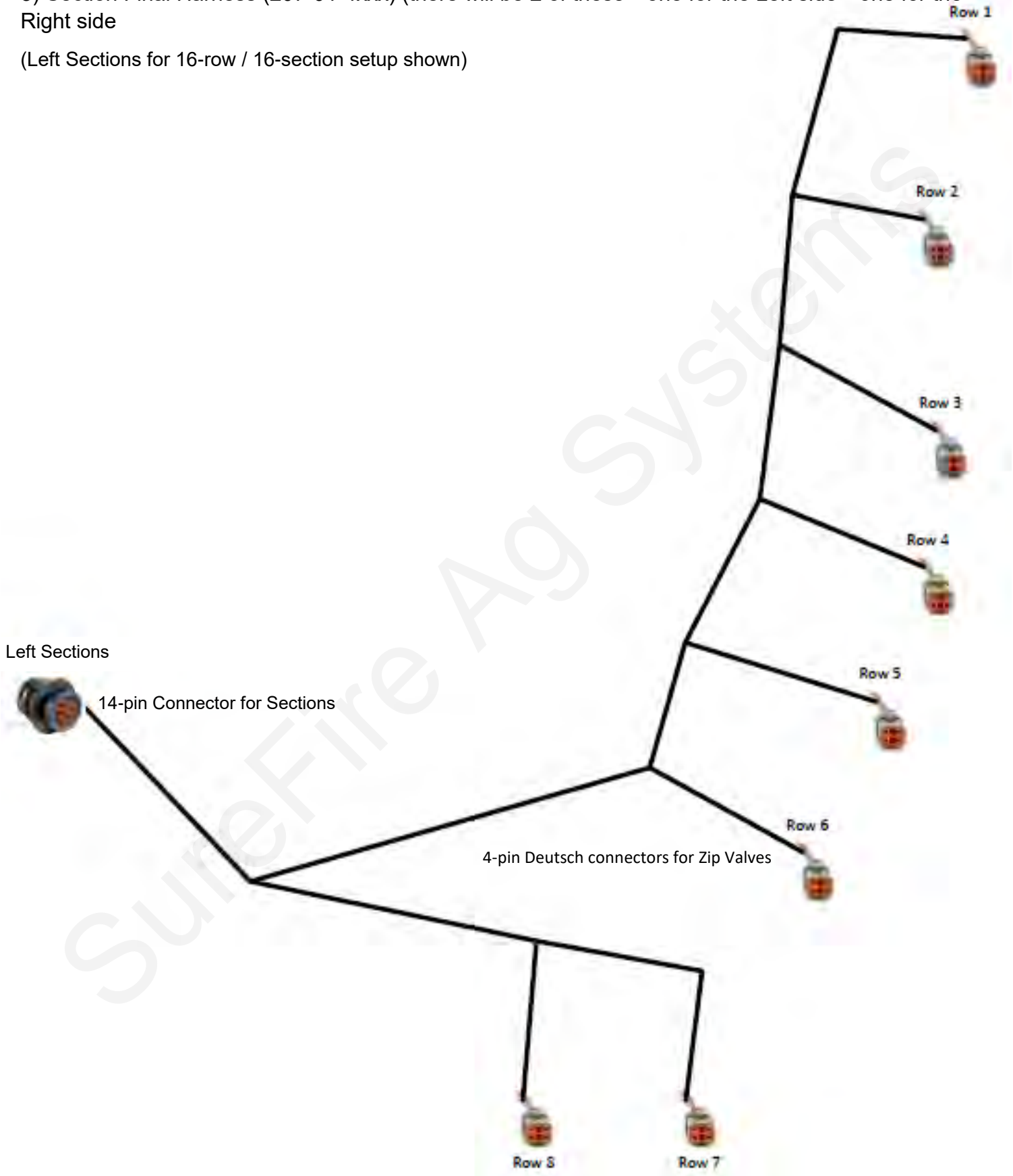
2) Pump Final Harness (207-01-4613Y1)



Typical Section Harness Layout for Gen3 LiquiShift System

3) Section Final Harness (207-01-4xxx) (there will be 2 of these—one for the Left side—one for the Right side)

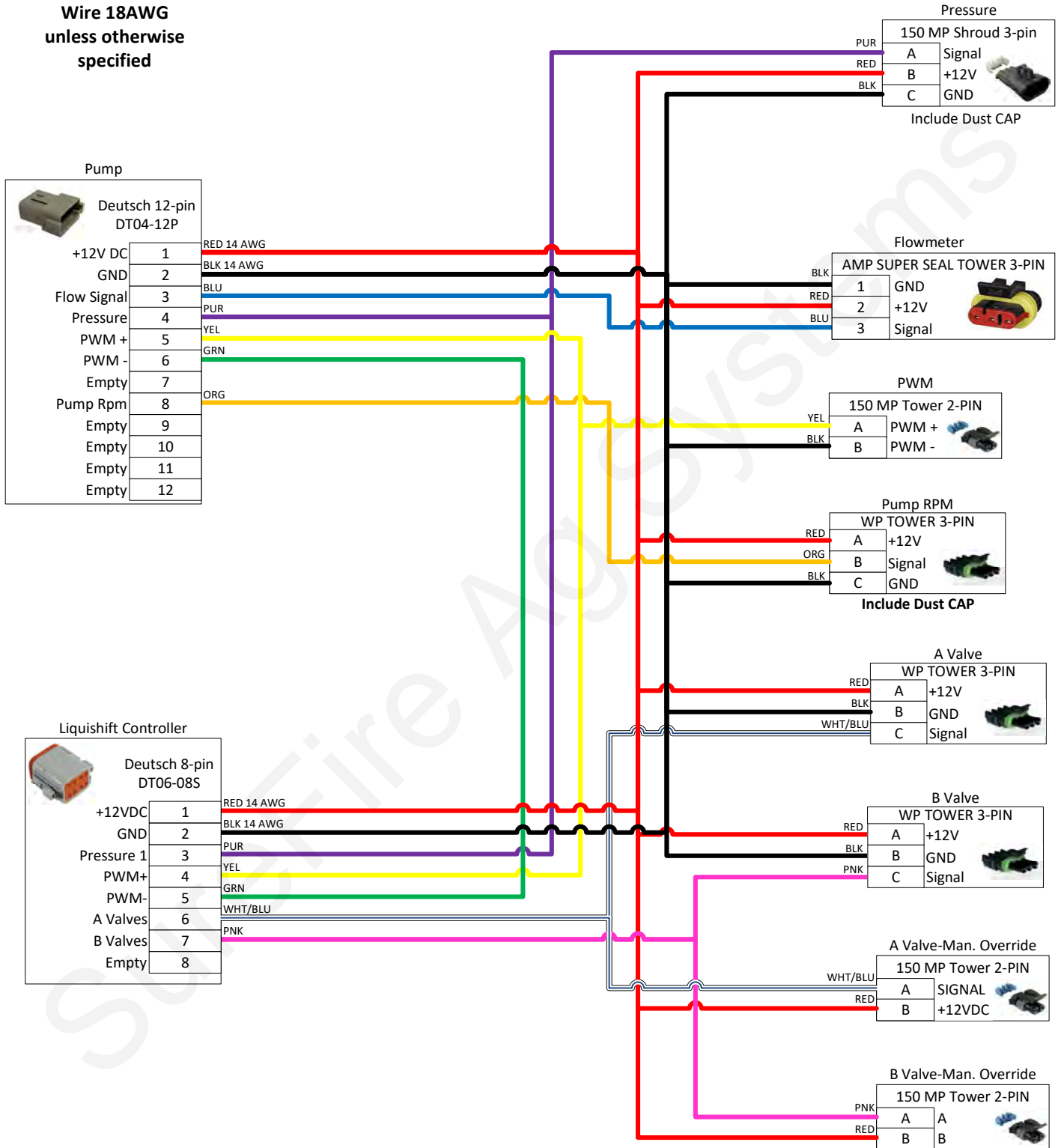
(Left Sections for 16-row / 16-section setup shown)



207-01-4613Y1

Gen3 LiquiShift Pump Final Harness for 3rd Party Rate Control

**Wire 18AWG
unless otherwise
specified**



Part No:

207-01-4613Y1

Drawn By:

Matthew Fritz

Description:

Gen3 LiquiShift Pump Final Harness for 3rd Party Rate Control

Last Edit Date:

9/30/2020

Revision

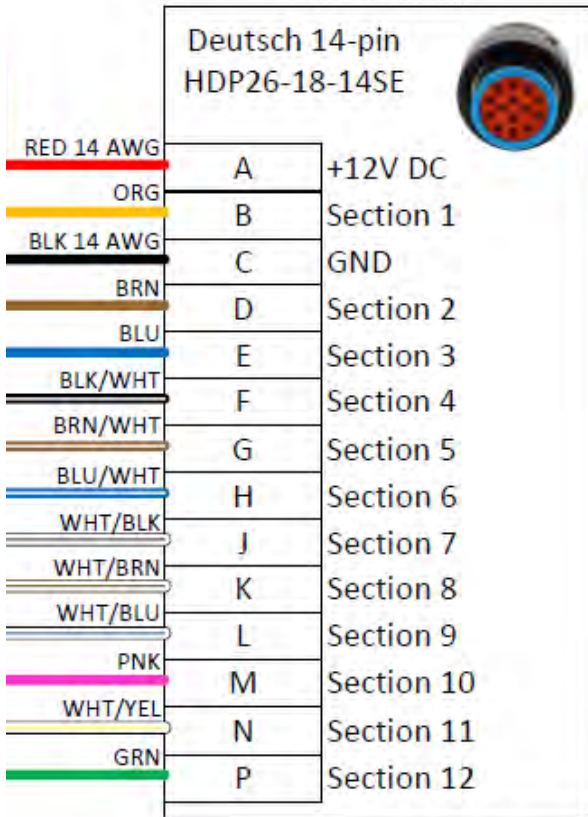
A-02

Copyright 2020 SureFire Ag Systems, Reproduction or other use of drawing without express written permission from SureFire Ag Systems is forbidden

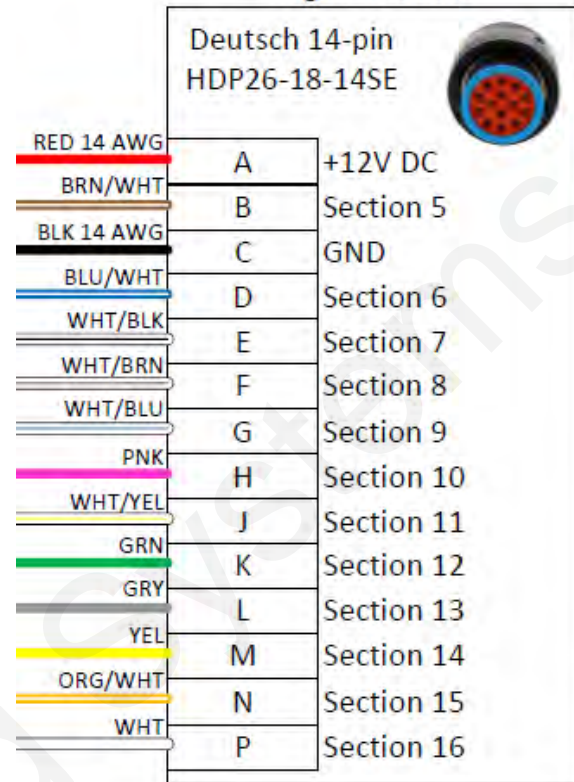
Section Connector Pinouts For Gen3 LiquiShift

JDRC 2000 and Sentinel Control

Left Sections

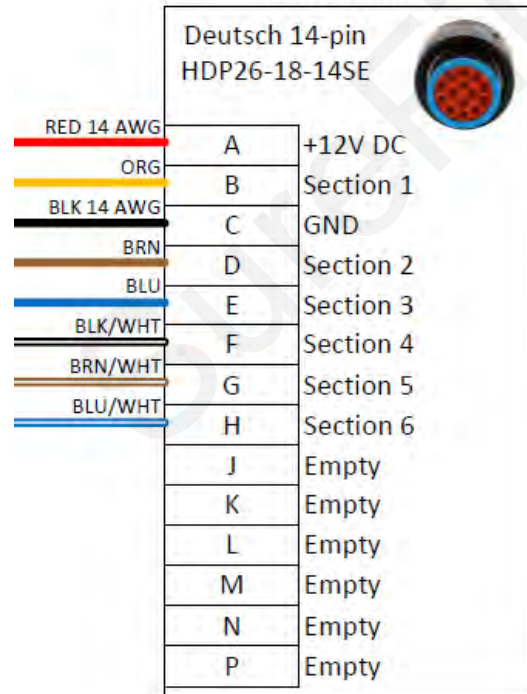


Right Sections

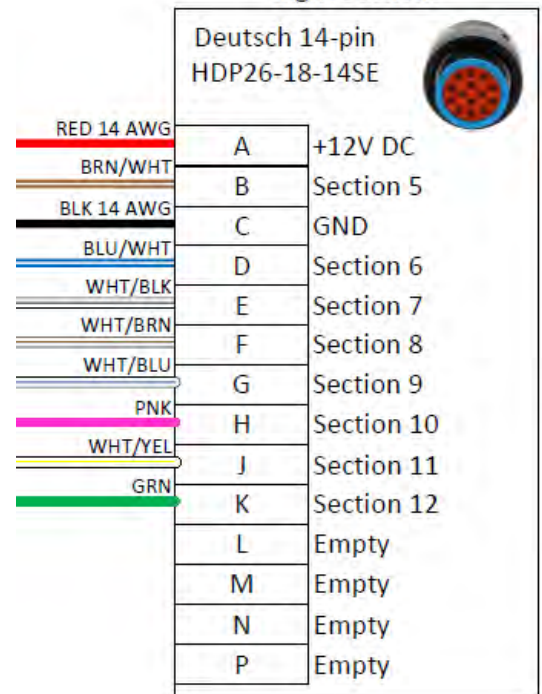


JD GRC, Ag Leader Liquid ISO and Trimble Control

Left Sections



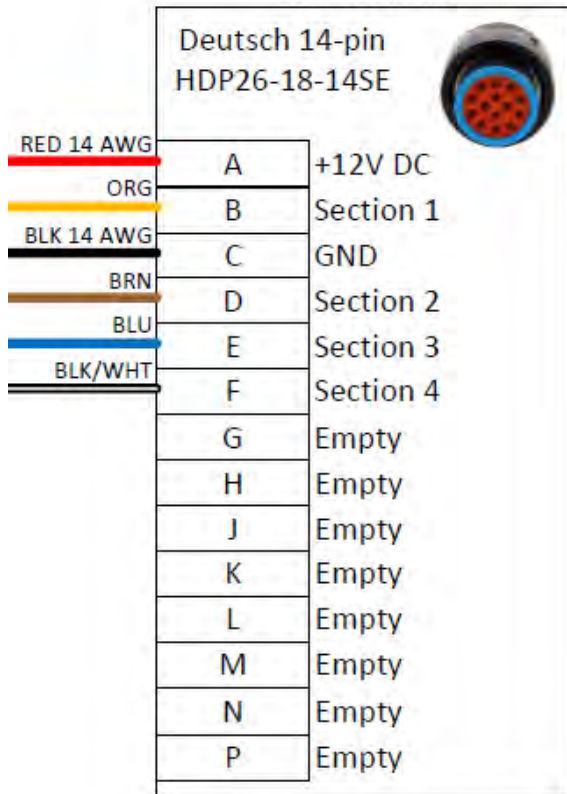
Right Sections



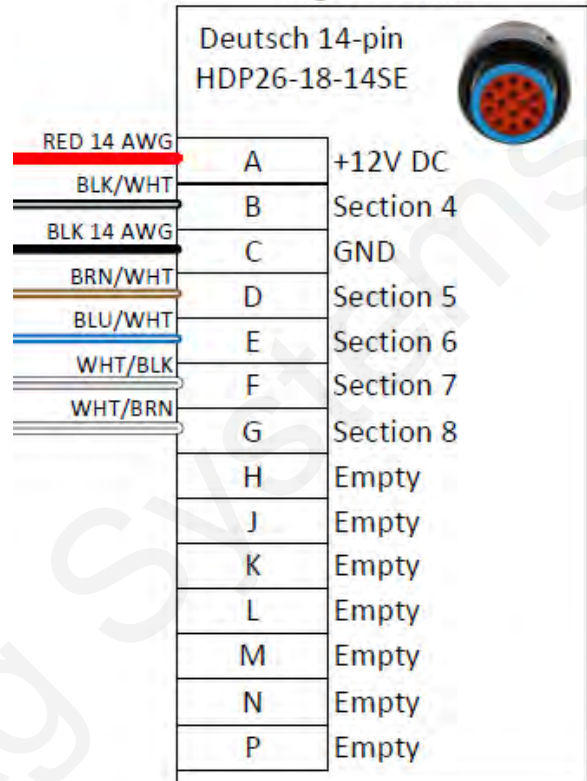
Section Connector Pinouts For Gen3 LiquiShift

Ag Leader LPCM Control

Left Sections



Right Sections



Typical Section Setup for Gen3 LiquiShift

Each row has a Zip Valve for positive shutoff at the row

The standard layout for system plumbing, sections, and harnesses is shown below:

See the QuickStart Setup Card for screenshots of setting up your display.

JDRC 2000, Raven RCM, and Sentinel ECU Control—Single Product

		Rows/Section
12-Row system	12 Sections	1
16-Row system	16 Sections	1
24-Row system	12 Sections	2
32-Row system	16 sections	2

JDRC 2000, Raven RCM, and Sentinel ECU Control—Dual Product

		Rows/Section
12-Row system	6 Sections on each product (PR 1—sections 1-6, PR2—sections 7-12)	2
16-Row system	8 Sections on each product (PR1—sections 1-8, PR2--sections 9-16)	2
24-Row system	8 Sections on each product (PR1—sections 1-8, PR2—sections 9-16)	3
32-Row system	8 sections on each product (PR1—sections 1-8, PR2—sections 9-16)	4

JD GreenStar Rate Controller (GRC) before Jan, 2021 and Ag Leader LPCM

		Rows/Section	
12-Row system	6 Sections	2	JD GRC with adapter 213-06-4652Y1
16-Row system	8 Sections	2	
24-Row system	8 Sections	3	JD GRC with adapter 213-06-4652Y1
32-Row system	8 Sections	4	

JD GRC after Jan 2021, Ag Leader Liquid ISO, Trimble Field-IQ, and Pro 700 Ac-cuControl

		Rows/Section	
12-Row system	12 Sections	1	JD GRC with adapter 213-06-4652Y2
16-Row system	8 Sections	2	
24-Row system	12 Sections	2	JD GRC with adapter 213-06-4652Y2
32-Row system	8 sections	4	

Troubleshooting the LiquiShift System

LiquiShift Valve and Zip Valve Operation: Electric Section Valve Basics:

On 3-pin WP connector at each LiquiShift valve:

Pin A: Red—12v constant power

Pin B : Black—ground

Pin C: 12v signal for valve to open

On each 4-pin Deutsch zip valve connector:

Pin 1: Black—Ground

Pin 3: 12 v Signal for valve to open

Pin 4: Red—12v constant power

If an electric valve will not open:

1. Be sure the section valve is plugged into the correct connector and that the controller is telling that valve to open. Check the controller setup to be sure the sections are set up correctly. On the JDRC 2000 or the Raven RCM check to see which signal drivers are assigned to the sections on this product. This is important when the setup has more than one product and has more than one section group.
2. Unplug the connector to the valve that is not working and plug the connector into another valve that is working. If that valve opens, go to step 10 to check the valve. If not, go to step 3.
3. Plug the non-working valve into a different connector that is working. If the valve opens now, check the wiring beginning at step 4. If the valve does not open, go to step 10 to check the valve.
4. Do the following steps to check the voltage at the 4-pin connector that plugs into the valve.
5. Pin 1 (BLK-GND) to Pin 4 (RED) should be 12– 13v all the time. If this is 12-13v, the red light on a KZ valve should be on.
6. Pin 1 (BLK-GND) to Pin 3 (SIG) should be 12-13 v when the valve should be open. This voltage will be 0 v when valve is closed. (*Note: Some controllers may have 4-6 v on the signal wire when the valve is closed.*)
7. If the voltage is not correct in Step 5 or 6, check the voltage at the next harness connection. You will need a harness drawing to know which pins to check. At each connection, check for corroded, loose, pushed-back, or bent pins.
8. Keep checking the voltage at each connection until you find the correct voltage or get back to the rate controller. If you find the correct voltage at one point, inspect the pins and harness to identify the problem. You can do a continuity check from one end of the harness to the other to locate a bad wire. If a harness is bad, repair or replace that harness.
9. Plug all the harnesses back together and check the valve again.
10. If the voltages are OK, but the valve still won't open, remove the actuator from the valve. See if the actuator will turn when it is not coupled to the valve. If the actuator turns here, use a pliers or screwdriver to turn the valve mechanism and get it freed. In some cases, it may be necessary to disassemble the valve assembly so you can clean the valve.

If more than one electric valve will not open:

1. Determine exactly which valves are working and which are not working. On Gen3 LiquiShift, left side valves have one power source, and the right side valves have a different power source.
2. Follow the instructions above to determine whether it is the constant 12 v power that is missing or whether the signal power is not present.

LiquiShift Valve Operation: (continued)

Situation:

The valve opens, but nothing comes out. The light is green. The pump is running, pressure builds up, but it says NO FLOW. But, some product will flow when the valve is off.

Solution:

The KZ valve must be plumbed with the outlet that is going to the row coming from the port that is nearest the position indicator (the top of the picture below). Product flows through the top port when the valve is open. Product will flow through the bottom port when the valve is closed. (This can be used to return product to the tank when the system shuts off.) If the outlet to the row has been switched to the bottom port, the product will flow when the valve is closed, but will not flow when the valve is open.



Product flows through here when valve is ON.

Product will flow through bottom port when valve is OFF.

(If product flows opposite of this, someone has changed the orientation of the valve.)

Situation:

***Valve is always lit up green and is open. It won't close—**

1. If the valve indicator stays green all the time and/or if the valve position indicator appears to be out of sync, the actuator probably needs to be replaced. Test the valve with another section connector
2. Sometimes an actuator comes that won't work on LiquiShift systems. The valve tests OK on a regular test, but won't function when plugged into LiquiShift. This is a problem with the internal board. The actuator must be replaced.
3. Some controllers send out 4-6 volts on the signal wire when the valve should be closed. This may cause some KZ valves to remain on all the time. Check the voltage between pins B and C of the 3-pin WP connector (on 4-pin connector, check pins 1 and 3) that plugs into the valve to see what the voltage is when the valve should be on and what the voltage is when the valve should be off.
4. Be sure the valve is plugged into the right connector and that the section setup in the display is configured correctly.
5. The actuator can be removed by pulling the gray clip (wiggle and pull) and lifting the actuator off.

Troubleshooting the LiquiShift System

Common LiquiShift Troubleshooting Scenarios

Only the A valves will open:

1. Are the A valves connected to the small tubes? Be sure this is correct.
2. Do you have the correct tube for the product and rate you are using? What is the typical low pressure that you see during application? If it regularly runs at 10 PSI or less, you may need a smaller tube.
3. The pressure must get up to 70 psi (on regular settings) before Valve B will open. What is the pressure? Is it going above 70 psi and still not shifting?
4. Is the *Control Pressure* connector on the Pump Final harness plugged in to the pressure sensor on the LiquiShift valve stack?
5. Is the pressure sensor calibrated correctly? Check the calibration settings. Should be set at 50 mv/PSI. It must be calibrated with no pressure on the sensor. It is best to unplug the sensor while entering the calibration numbers. *(If the LiquiShift system is on Product 2, the pressure will be shown on Pressure Sensor 2. Be sure this is what is displayed on your screen.)*
6. Go to Diagnostics > Pressure Sensors (*Sensors/Status on GRC*) >. See what the pressure sensor is reporting. 70 psi should be 3.5 v. The 0 PSI voltage should 0.00 v (may be 0.01, but shouldn't be more). If the pressure sensor does not report voltage, be sure the sensor is plugged in to the *Control Pressure* connector (see # 2 above). If the sensor is plugged in, but does not report voltage when liquid is pumped, the sensor is probably bad and needs to be replaced. *(It possibly could be a bad harness, but this is much less likely.)*
7. What do the diagnostic lights on the LiquiShift Controller say? See page 19 for information on these lights. On the LiquiShift Controller, there should be a green power light at the top. There should be a red light (bottom left) indicating that it is receiving a PWM signal. *(If there is one Yellow light immediately to the right of the red light, the system has been set to shift at 80 psi.)* There should be a blue light (or two—bottom right) indicating A or B or both valves should be on.
8. Turn on Manual Override Switch B. Do the valves open? You need to have a Section Test or some other test running so the controller is calling for the section valves to open.
9. If the pressure voltage is reaching 3.5 v (70 PSI) and the blue light for Valve B is not showing on the LiquiShift Controller, the LiquiShift Controller (218-2565Y1) is probably bad and needs to be replaced.
10. If the pressure transducer is bad or if the LiquiShift Controller is bad, the system will not shift from Valve A to Valve B. You can bypass the pressure sensor and LiquiShift Controller by unplugging the 8-pin Deutsch connector and using the A and/or B manual override toggle switches.. While using this workaround, the valves will not switch from one set of tubes to the other, but you can set it to use either Tube B by itself or both Tube A and Tube B, based on what the system used most of the time when it was working. You can also look at a metering tube flow/pressure chart to see which tube or tubes may work the best until the broken part can be replaced.
11. To turn on Valve B, turn on the Manual Override Switch for Valve B. This will open the B valve. If you have not unplugged the 8-pin Deutsch connector, the A valve will also be on, so now both tubes are on. To turn off the A valve and use only the B valve, unplug the A valve from it's 3-pin WP connector or unplug the 8-pin Deutsch connector and use the toggle switches.
12. A SureFire Pressure Signal Simulator (212-03-3910Y1) allows very quick and easy LiquiShift diagnostics without running the pump and dispensing liquid. See page 33 for information on this simulator.

Troubleshooting the LiquiShift System

Common LiquiShift Troubleshooting Scenarios

Some valves will open, others won't:

1. Specifically, which valves are open and which are not? The valves on the left side have a different power source than the valves on the right side.
2. Are the red lights lit up on each valve? If not, you do not have power to the valves.
3. Are all the valves plugged in to the correct connector?
4. Check all the harness connections back to the rate control module.
5. Check the section setup in the display. Is the profile set up for the correct number of sections? Are the valves plugged in to the connector for the section driver that is assigned to that valve?
6. Switch some valves and connectors around to see if the problem follows a specific connector or a specific valve.

I may be running with Valve B open or with both valves open, but when I turn around, the system always goes back to Valve A, and starts there, and builds up a lot of pressure before it shifts back to Valve B or back to both valves.

Or

I may be running with just Valve A or just Valve B open, but when I turn around, the system always opens up both valves, so when I start back up, I have no (or very low) pressure, and it takes a few seconds for the valves to get back to Valve B or to Valve A only.

1. Are you running with the Control Valve set to PWM (not PWM Close) so that the pump runs when you turn around to agitate the product back to the tank? If you are doing this, and the pressure drops below 20 PSI while you turn around, the LiquiShift Controller will shift back to Valve A. When you start applying, the pressure will build up quickly, and it will take a few seconds to shift back to Valve B, and a few more seconds to shift back to both Valves A and B.
2. The same would be true if you are running with the Control Valve set to PWM (not PWM Close) to keep the pump running for agitation while you turn around. If the pressure goes above 70 PSI while you are turning around, the LiquiShift Controller will shift to both A & B, and the system will be set to open both A and B valves when application resumes. This would cause the pressure to be quite low when application resumes with both valves open. It would take a few seconds to return to Valve B, and, if needed, a few more seconds to return to Valve A.
3. With the Control Valve set to PWM Close, the PWM signal will be shut off and the pump will stop when you reach the end of the field. The pressure will drop because the pump is not running, but the system will not switch from one Valve setting to another if there is no PWM signal present. With the Control Valve set to PWM Close, the same set(s) of valves that were open when the system shut down will be on when the system resumes application.

In general, the controller must be configured for PWM Close, so the pump shuts off while turning around. If agitation is desired when turning around, it may be possible to do a workaround to accomplish this. The LiquiShift system is not designed to work on Servo systems.

If the system is set to PWM so the pump continues to run while you turn around, the recirculation must be adjusted so the pressure remains between 20 and 70 PSI while you are turning around.

Troubleshooting the LiquiShift System

Common LiquiShift Troubleshooting Scenarios

LiquiShift valves won't come on:

1. Look at the valves. Are the red lights lit up on each valve? If not, you do not have power to the valves.
2. Go to Diagnostics > Tests > Calibrate PWM Limits. You can run this test without actually running the pump. Start Calibrate PWM Limits test, tap the (+) button once or twice to get a PWM signal. The section valves on the A side should open.
3. Look at the lights on the LiquiShift Controller. There should be a green light, red light, and blue light.
4. The LiquiShift Controller must receive a PWM signal before it will pass on a signal for the valves to open. Verify that the controller is in a Run condition or Test mode where a PWM signal is being sent and where the sections are told to open. On a Section Test or Calibrate PWM Limits Test, or in a Manual Run mode, you must tap the (+) button a couple of times to start the PWM signal.
5. (Optional): Use pressure signal simulator (212-03-3910Y1) to test LiquiShift Controller switching from A to B, etc. See page 33 for discussion of pressure signal simulator.

System is shifting back and forth repeatedly from A to B and back.

1. What color of tubes are on the system? Blue/Tan, Green/Yellow and Tan/Black don't have as much overlap as the other tubes, and you may need to set the pressure change to 20/80 PSI. If they are running at a rate that is near the high end of A and the low end of B, this could happen.
2. Check the mode selection connectors on the LiquiShift Controller (218-2565Y1). The standard (default) setting is 20-70 PSI. If this has been changed to 20-60 PSI or 15-40 PSI, the valves would switch from A to B at which time the pressure would be too low and the valves would switch back from B to A. As stated above, if this occurs when the selection is set at 20-70 PSI, you will have to switch to 20-80 PSI.
3. If the shifting back and forth continues, check the tubes to be sure the system is set up with a compatible tube combination and that the tubes have not been altered. The tube combination must be such that when the pressure reaches 70 PSI in the small tube and the flow switches to the large tube, the pressure in the large tube must be greater than 20 PSI (generally greater than 25 PSI). For example, a system with blue and orange tubes would not work because when the pressure hits 70 PSI in the blue tube, and the flow switches to the orange tube, the pressure will be below 20 PSI, and the system will switch back to the blue. The system will shift back and forth like this.
4. The tube combination also must be chosen so that when the pressure drops to 20 PSI in the large tube, switching the flow to the small tube, the pressure must be less than 70 PSI (generally 60 PSI or less).
5. Be sure the small tube is connected to the "A" valve bank, and the larger tube is connected to the "B" valve bank. Also, be sure the "A" valves are plugged into the "A" connectors.
6. Be sure the pressure sensor is calibrated correctly at 50 mv/PSI. Also, be sure that the 0 PSI voltage is 0.00 v. If the calibration was set when there was pressure on the sensor, the display may read 70 PSI, but the pressure could actually be less. Always unplug the pressure sensor before entering the 50 mv/PSI calibration number.

When the system switches from A to B, the pressure jumps even higher, and it shifts to both A and B. Then, it shifts back to B, and then back to A&B, back and forth.

1. This sounds like the large tubes are connected to the A valve and the small tubes to the B valve.
2. Or the connector for the A valve is connected to the B valve and vice versa.

Common Pressure Sensor Troubleshooting Scenarios

No pressure is showing on the display:

1. Is the pressure sensor plugged in? Where is it plugged in? Product 1 must be set up for Sensor 1 and Product 2 for Sensor 2 (JDRC 2000).
2. If it is a liquid pressure sensor on an NH₃ system, it will be Sensor 3 (JDRC 2000).
3. Is the pressure sensor calibrated? The system must be set for Voltage Based Calibration at 50 mv/PSI. This must be entered while there is no pressure on the sensor. It is best to unplug the sensor while entering the calibration.
4. Go to Diagnostics > Pressure Sensor (*Sensors/Status*) >. The 0 PSI voltage should be 0.00 or 0.01. The sensor voltage should be reported when there is pressure on the sensor. 1.0 v is 20 PSI. 2.0 v is 40 PSI.
5. If no voltage is being reported, check to see if the green LED light is lit on the end of the sensor. (*This can be hard to see in the sun.*) Check for 12 v on the 3-pin pressure connector (pins B & C—red and black).
6. A simple pressure signal simulator can be made with a AA or AAA battery. Connect the top of the battery (+) to pin A of the 3-pin pressure connector. Connect the bottom of the battery (-) to pin C. This should show up as approximately 1.5 v and 30 psi on the Diagnostics > Readings > Pressure Sensor screen.

If all of the above check out OK, replace the sensor.

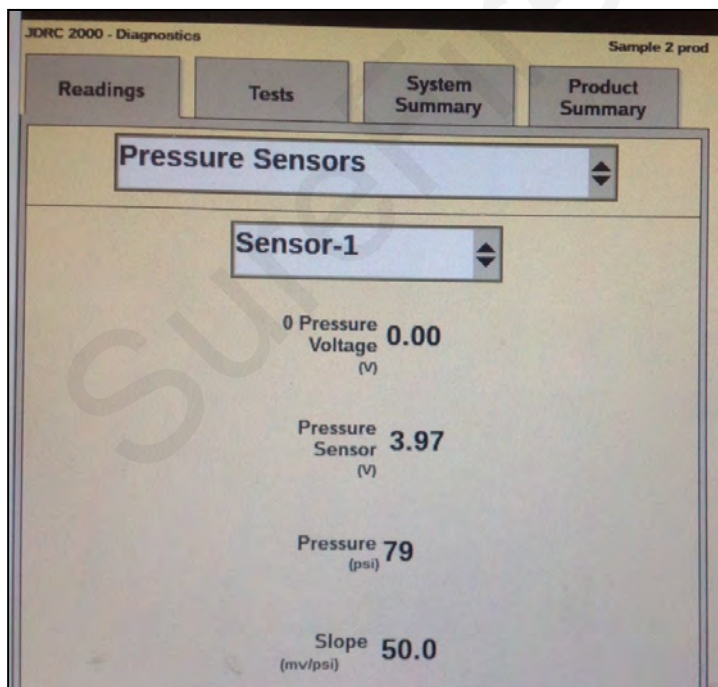
SureFire Pressure Signal Simulator (212-03-3910Y1)—A great troubleshooting tool:

On a LiquiShift system, plug the Pressure Simulator into the Control Pressure connector.

When plugged into the 1.5 v. connector, the pressure should be around 30 PSI.

When plugged into the 4.5 v. connector, the pressure should be around 90 PSI.

On LiquiShift, plugging in the 4.5 v. should cause the system to shift from A to B and then to both A&B (when the valves are instructed to turn on by the controller). Unplug or plug in 1.5 v. to shift back.



Diagnostics > Readings > Pressure Sensors will show this voltage and pressure if the harnessing is good (sample screen at 79 PSI).

Notice “0 Pressure Voltage” is 0.00 v. (*If this is not 0.00 or 0.01, unplug everything from the pressure connector and Calibrate the sensor again (reenter the 50 mv/PSI).*)

The “Pressure Sensor (V)” should closely match the simulator.

The “Pressure” should be equal to Voltage x 20 (when slope is 50 mv/PSI).

SureFire Ag Systems

