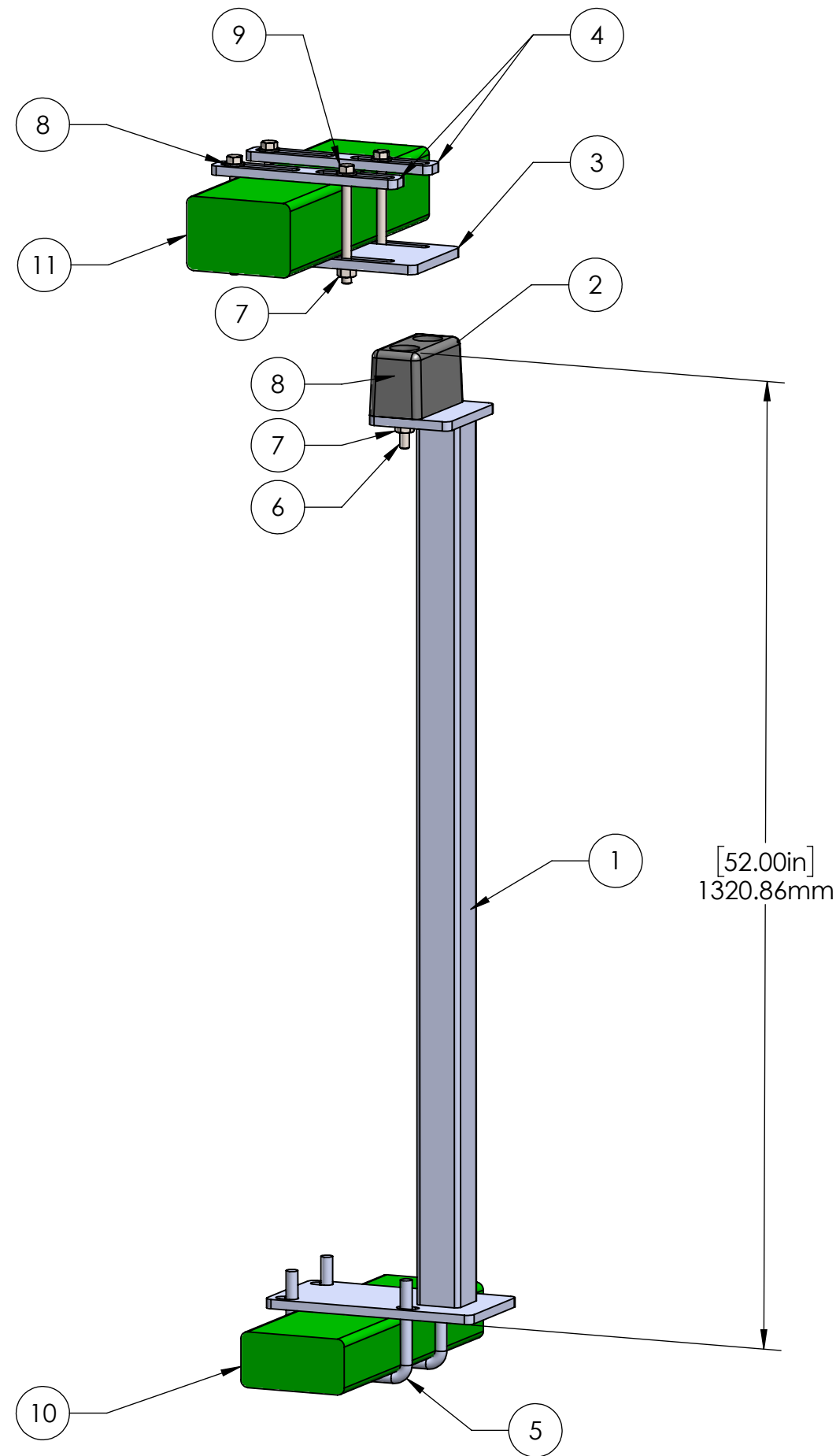


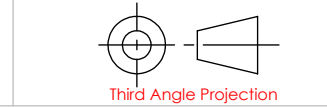
REVISIONS		
REV.	DESCRIPTION	DATE
A-01	Original Drawing	3/24/2015

396-4521Y1



ITEM NO.	PART NUMBER	DESCRIPTION	QTY.
1	400-2928Y1	Marker Stop Bracket	1
2	399-2939Y1	John Deere A54297 Bumper	1
3	400-2929Y1	Bumper Stop Plate	1
4	400-2930Y1	Clamping Plate	2
5	380-1046	5/8" U-Bolt Kit - fits 6" x 5" tube (6" opening) includes flat & Lock washer, Nut	2
6	300-080400-5	1/2" x 4" Hex Head Bolt-G5	2
7	323-08	1/2" Flange Nut	6
8	330-08	1/2" Flat Washer	6
9	300-080600-5	1/2" x 6" Hex Head Bolt-G5	4
10	JD DB60 Air Tube	John Deere DB 60 Air Tube Frame	1
11	JD DB60 Marker Arm	John Deere DB 60 Marker Arm	1

PROPRIETARY AND CONFIDENTIAL
 THE INFORMATION CONTAINED IN THIS DRAWING IS THE SOLE PROPERTY OF SUREFIRE AG SYSTEMS, INC. ANY REPRODUCTION IN PART OR AS A WHOLE WITHOUT THE WRITTEN PERMISSION OF SUREFIRE AG SYSTEMS, INC. IS PROHIBITED.



UNLESS OTHERWISE SPECIFIED:
DIMENSIONS ARE IN MM
 TOLERANCES:
 FRACTIONAL ±
 ANGULAR: MACH ± BEND ±
 TWO PLACE DECIMAL ±
 THREE PLACE DECIMAL ±

INTERPRET GEOMETRIC TOLERANCING PER:
 MATERIAL
Steel
 FINISH
 DO NOT SCALE DRAWING

NAME	DATE
DRAWN Cavenee	3/18/2015
LAST SAVED	1/16/2019
ENG APPR.	
MFG APPR.	
PROJECT DB 60	



SureFire Ag Systems	
TITLE: John Deere DB 60 Marker Stop Kit	
SIZE B	DWG. NO. 530-01-450610
SCALE: 1:8	WEIGHT:
REV A-01	SHEET 1 OF 1