

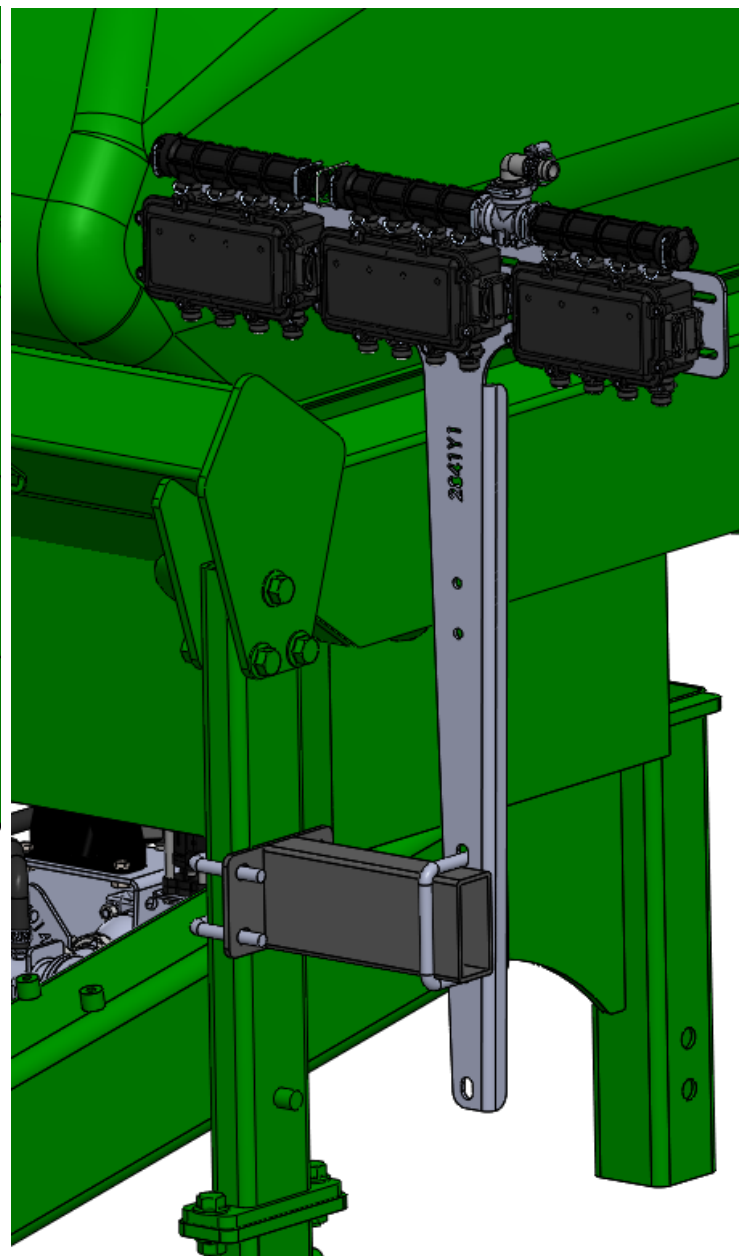
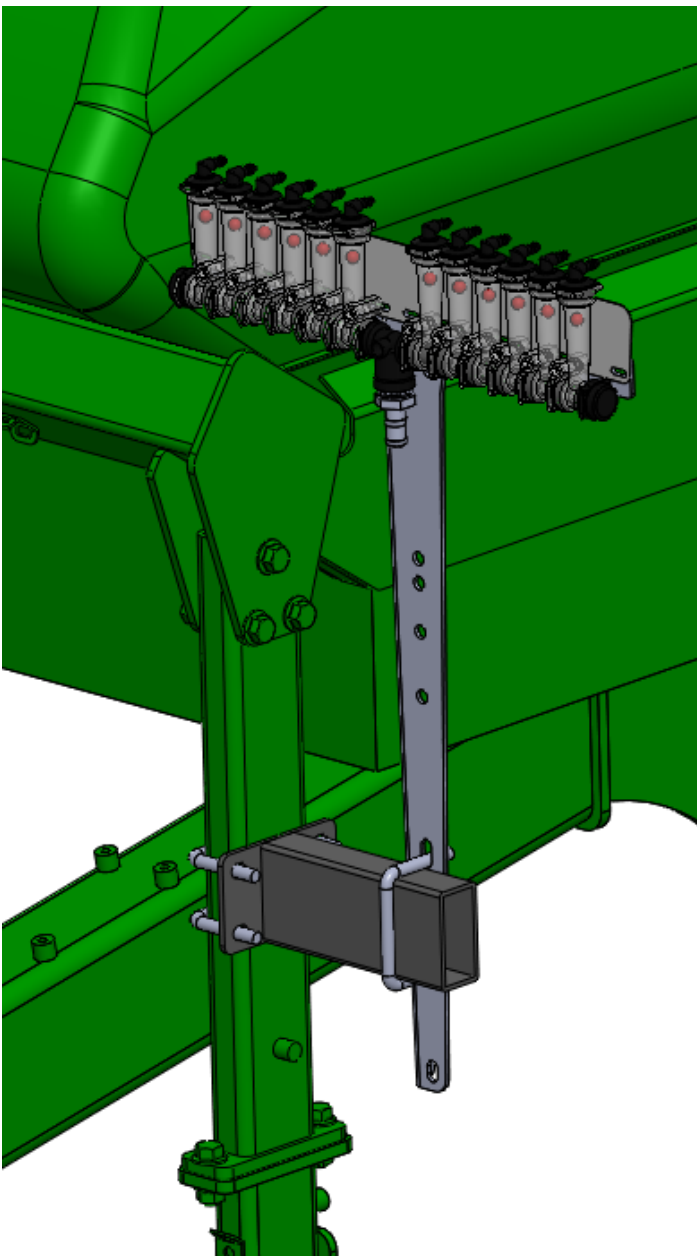


# 396-4441Y1

## John Deere 1725C Planter Flow Indicator/Sentinel Mounting Bracket Installation Instructions

John Deere: 1725C Planter

Kit Number: 515-200620

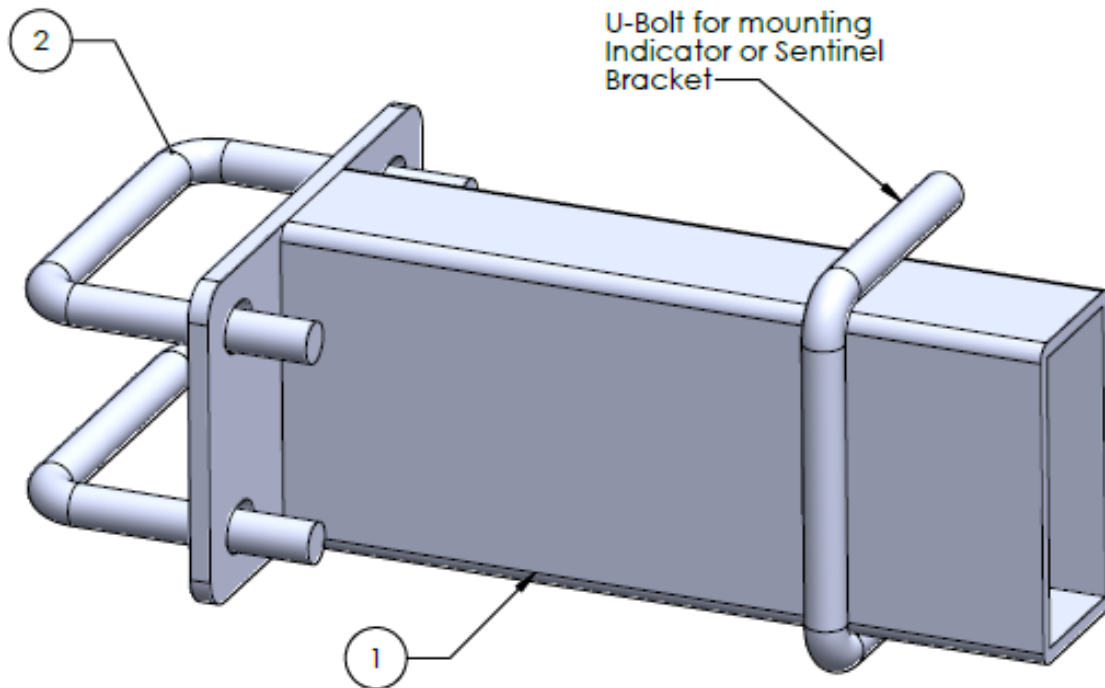




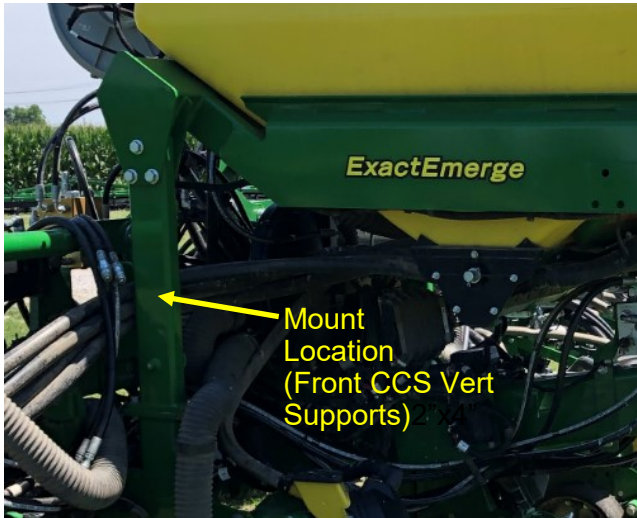
# Parts List and Exploded View

Kit Number: 515-200620

ITEM NO.	PART NUMBER	DESCRIPTION	QTY.
1	400-4434Y1	JD 1725C - Flow Indic/Sentinel Mount Bracket-(Fits 4"	1
2	380-1037	1/2" U-bolt Kit - Fits 4" x 2" tube (4" opening) includes	3



# Step by Step Instructions



1. Mount 410-4434Y1 Indicator Support Bracket to either one of the front CCS Vertical 2"x4" Supports as shown in picture to the right using the supplied 1/2" U-bolts. Do not tighten to allow for adjustment in future steps. As a guideline, try to mount it 8-9 inches above base support connection.
2. Mount the indicator bracket to 410-4434Y1 bracket using the supplied U-bolt. Do not use bottom hole of indicator bracket when mounting.

