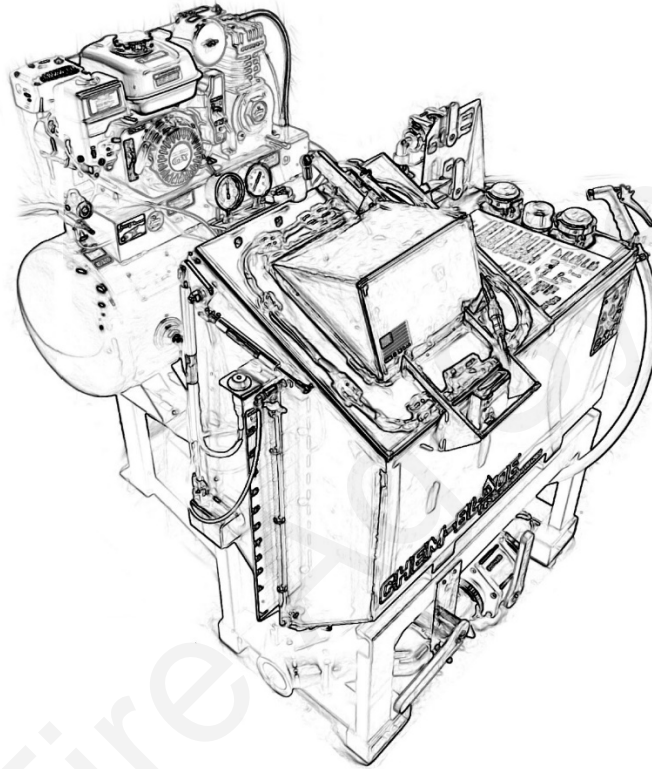


396-4364Y1

CHEM-BLADE[®] ES ENCLOSED SYSTEM

Owner's Manual



From everyone at SureFire Ag Systems, we thank you for purchasing our product.



Operator must read and understand this complete manual before installation or operation. System contains components that can cause serious injury or death.

Options and system components can vary between models. This manual is generalized to cover all ES models. In the march of progress, engineering and design changes are inevitable, therefore, we reserve the right to vary our designs and/or specifications without implying that they need to be installed on previous models. If you have occasion to order parts or request information about your ChemBlade ES, be sure to provide machine serial and model number.



SprayTender.com or Chem-Blade.com

Table of Contents

1. Warranty Policy

2. Safety

3. Main System Components

4. Installation Instructions

- Carrier Plumbing
- Mounting
- Compressed Air System

5. System Pressure Test Values

6. Operating Instructions

7. Troubleshooting

8. Winterization/Storage Instructions

9. Preventative Maintenance Instructions

1. Warranty Policy

SureFire Ag Systems, Inc. (hereinafter referred to as “SureFire”) warrants the whole goods products it sells to be free from defects in material or workmanship for a period of one (1) year from the date of sale of the product(s) to the original user.

SureFire warrants the parts it sells to be free from defects in material or workmanship for a period of ninety (90) days from the date of delivery of the product(s) to the original user. This shall include replacement parts installed by SureFire.

Warranty of SureFire whole goods and/or parts applies only to material and workmanship. Misuse, misapplication, neglect, alteration, accident, normal wear, or acts of God affecting SureFire products are not eligible for warranty. Warranty shall apply only to the smallest reasonably serviced component (e.g. if a PWM solenoid fails on a hydraulic pump assembly, only the solenoid will be covered under warranty, not the entire pump assembly). In the event that multiple components are replaced, component warranty eligibility will be assessed once the parts are returned to SureFire for determination of failure (parts determined to still be in working order will be returned to the dealer and warranty will not apply to those components).

WARRANTY CLAIMS: A warranty claim and request to return defective product(s) must be presented to the SureFire Service Department, describing the defect in material or workmanship of the product(s). This claim may be made via phone, e-mail, fax, or written request. Claims for warranty of whole goods or parts must also include proof of date of sale of the product(s) to the original user.

The SureFire Service Department will proceed in making a preliminary decision as to the eligibility of the claim for warranty consideration. After the SureFire Service Department deems it necessary to proceed with warranty consideration, a determination will be made as to whether or not the original product needs to be returned to SureFire. In the event a return is deemed necessary, a Return Materials Authorization (RMA) will be generated by the SureFire Service Department. The defective product(s) in question must be sent, freight prepaid, within fourteen (14) days of the discovery of the product failure and initial warranty claim. Replacement product(s) may be sent to the selling dealer, directly to the customer, or picked up at the SureFire facility. At the discretion of the SureFire Service Department, replacement product(s) may be sent prior to, or after, the SureFire Returns Department receives the defective product(s).

Any variation in the above procedure is at the sole discretion of the SureFire Service Department.

SureFire agrees to handle all warranty claims in a timely manner and will inform dealers of any revisions or modifications to the SureFire Warranty Policy. Eligible warranty claims will be processed by SureFire within sixty (60) days of receiving failed product(s).

If a warranty claim is found to be ineligible for warranty coverage, the SureFire Service Department will be responsible to inform the dealer or end user in order to determine the course of action to be taken. SureFire reserves the right to make changes in specification and design without notice and without incurring any obligations to owners of products previously sold.

1. Warranty Information:

SureFire Ag Systems takes no liability or responsibility for any crop, seed, property, or bodily damage or harm created by the ChemBlade ES System. Operate with focus and care as the chemical products used can be very hazardous. Comply with all PPE requirements on container labels. Only persons licensed and properly trained in the application of chemicals should operate the ChemBlade ES System. Any person who undertakes the use of this system assumes the inherit risks associated with the handling and application of chemical products and should only do so in accordance with container labels and applicable local, state and federal laws and regulations. Any operator of the ChemBlade ES System agrees to defend and hold SureFire Ag Systems harmless from any damages, suits, claims or causes of actions due to improper use of its product.

One Year Warranty from date of purchase covering the Tank, Stand, and ES system from faulty components or defects in workmanship. This warranty does not apply to accessories or damage caused where repairs have been made or attempted by others. This warranty gives you specific legal rights and you may have other rights which vary in certain states or provinces. ChemBlade ES systems come with a 1-Year full warranty covering all components and systems. This is based off invoice purchase date. Use of motor vehicle compressed brake air supply for the ES voids all warranties. See “Compressed Air Supply” section of Installation Instructions for more details.

Note!

Any use of the ChemBlade ES, not explicitly indicated by this manual, is strictly prohibited.

Non-compliance will result in a partial or total loss of the product warranty.

Modifications or changes to the machine are only permitted after consultation with, and agreement from, the manufacturer. Original spare parts and accessories authorized by the manufacturer ensure safety. The use of other parts may exempt the manufacturer from liability for the resulting consequences.

SureFire Ag Systems assumes no liability for damages resulting from the improper use of the ChemBladeES or ChemBlade Caddy

Product SIGHT GAUGE ACCURACY GUARANTEE: We guarantee the factory installed Sight Gauge to an accuracy of +/- 1 US Gallon.

FREE WARNING/INSTRUCTION LABEL REPLACEMENT: If your warning or instruction labels become illegible or are missing, call for a free replacement.

2. Safety Instructions

TAKE NOTE! THIS SAFETY ALERT SYMBOL FOUND THROUGHOUT THIS MANUAL IS USED TO CALL YOUR ATTENTION TO INSTRUCTIONS INVOLVING YOUR PERSONAL SAFETY AND THE SAFETY OF OTHERS. FAILURE TO FOLLOW THESE INSTRUCTIONS CAN RESULT IN INJURY OR DEATH.



Note the use of the signal words **DANGER**, **WARNING** and **CAUTION** with the safety messages. The appropriate signal word for each has been selected using the following guidelines:



DANGER: Indicates an imminently hazardous situation that, if not avoided, will result in death or serious injury. This signal word is to be limited to the most extreme situations typically for machine components which, for functional purposes, cannot be guarded.



WARNING: Indicates a potentially hazardous situation that, if not avoided, could result in death or serious injury, and includes hazards that are exposed when guards are removed. It may also be used to alert against unsafe practices.



CAUTION: Indicates a potentially hazardous situation that, if not avoided, may result in minor or moderate injury. It may also be used to alert against unsafe practices.

NOTICE is used to address safety practices not related to personal safety.



2. Safety Instructions

The ChemBlade ES is a piece of equipment intended for use with a broad range of pesticide products. Refer to product labels for intended materials before use for appropriate safety precautions. Always treat the system as if it had just previously handled a very hazardous product and could potentially still maintain some of its contents.



⚠ WARNING The stainless-steel Lid assembly is a moving component and can create harm to the user. Do not obstruct the lid with any body part when commanding it open. The cylinders which automatically lift the lid could cause it to impact user causing injury. When closing the Lid ensure that no fingers or body parts obstruct its path. Pinch Point can occur, and bodily harm or injury could be caused.

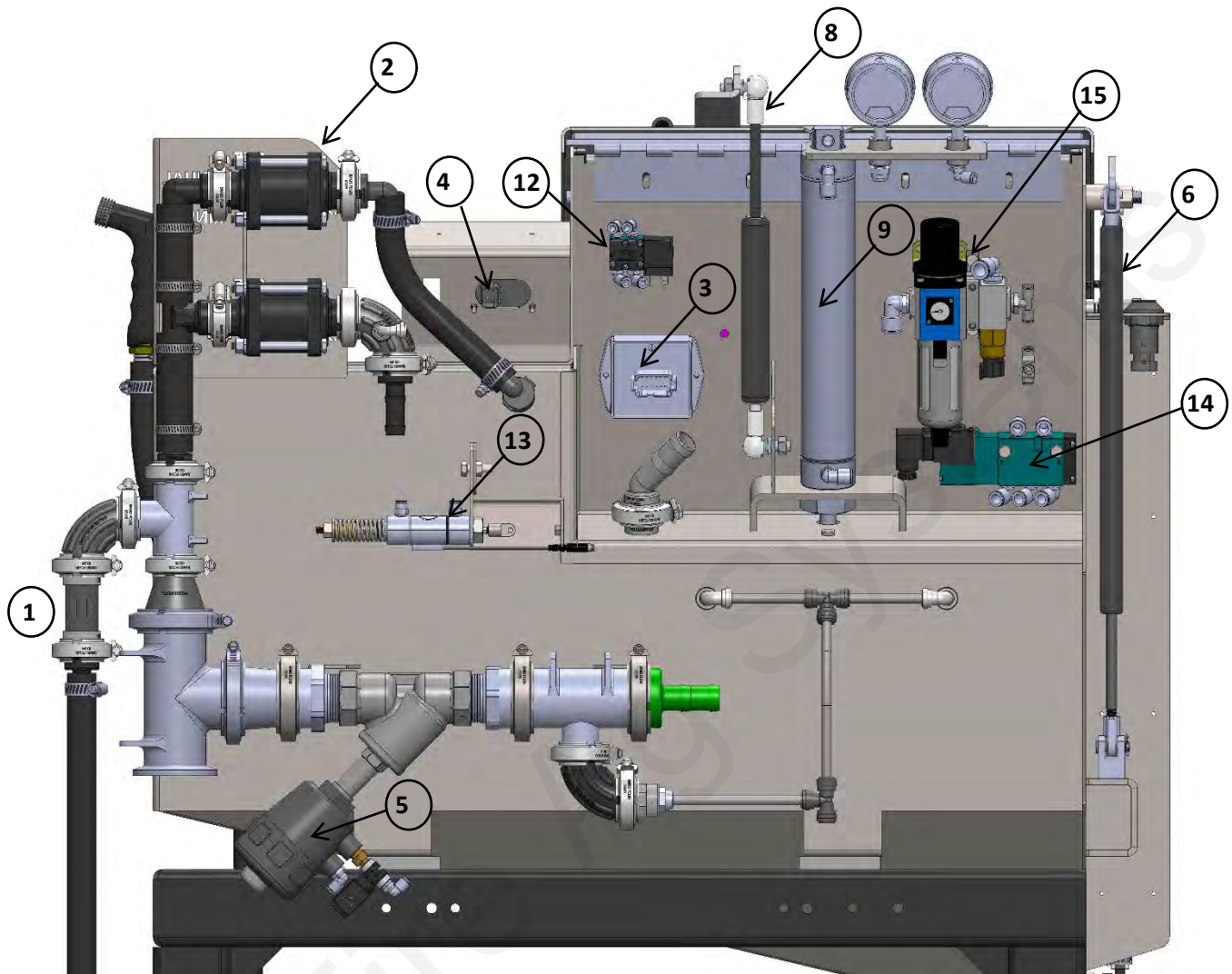
⚠ WARNING When operating manual valves of the system actuate them slowly as to completely control their capacity. Example: Opening the Dry Flush valve quickly could cause splash of product onto operator.

⚠ WARNING The ES system utilizes multiple functions of automation that if operated incorrectly could harm the user. Do not in any way modify or alter the system to allow inappropriate use.

⚠ WARNING Read thoroughly the entire manual before servicing the machine. Depressurize both liquid rinse and compressed air circuits when conducting any service to machine.

Refer to Jenny Air Compressor manuals for the safety and operation of that system if applicable.

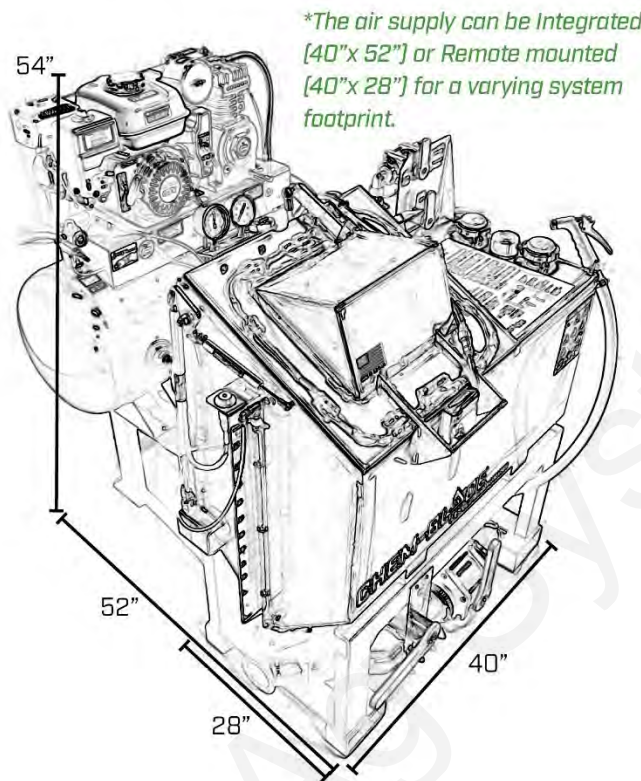
3. Main System Components



Item No.	Part Number	Description
1	102-100MLV-V	1" Manifold Micro Valve - Viton
2	102-100MVCF	1" Manifold Full Port Poly Valve
3	385-005	ChemBlade ES I/O Module Controller
4	385-006	ChemBlade ES Keypad
5	385-010	Spartan 1-1/2" Solenoid Rinse Valve
6	385-013	Bottom Lid Locking Cylinder
7	385-014	Upper Lid Small Extending Cylinder
8	385-015	Lid Traction Spring
9	385-037	ChemBlade ES Blade Cylinder
10	385-039	ChemBlade ES Rotary Latch (Tank Lid)
11	385-55270	3/4" Tank Rinse Nozzle (Tank Interior)
12	480-4356Y1	Hold Down MAC Valve Assembly
13	480-4357Y1	Hold Down Cylinder Assembly
14	480-4358Y1	Air Cylinder MAC Valve Assembly
15	480-4359Y1	Air Filter/Regulator Assembly

4. Installation Instructions

The first step of installing the ChemBlade ES system is to confirm the overall layout of the entire mixing system, from carrier supply tank to application equipment solution tank. Note: An additional 12" on the right-hand side of the tank are required with the addition of a ChemBlade Caddy.



Carrier Plumbing:

For all 2" and 3" venturi with bypass models, confirm direction of flow before plumbing in system. The 2" plumbing models can be mounted with either a left to right or right to left flow when standing in front of the system. The 3" plumbing model can only flow from left to right. The venturi only model can flow either direction, but the water source valve is more accessible in the right to left configuration. Keep in mind during installation that venturi systems rely on the difference of pressure between the inlet and outlet of the venturi for the suction performance on the branch/tank outlet port. Try to keep plumbing direction changes of both inlet and discharge flow to a minimum and utilize appropriate grade and style of components. The 45 angle and "sweep" style 90 fittings permit the most flow for directional changes and should be used when feasible.

Mounting Instructions:

The ChemBlade ES comes with either 4 or 6 mounting feet with holes. It is recommended that 3/8 or 10mm fasteners are placed at each mounting foot to secure the system to the work platform. Minimum 4 fasteners for both smaller 4 legged and larger 6-legged stands. The mounting holes are larger in size than the fastener which is intended so that the assembly process is easier. The use of flat washers is required. The bolt pattern is 15" on center depth and 30" on center wide.

4. Installation Instructions

Compressed Air Supply:

The ChemBlade ES system can be configured in many ways for its required air supply. Factory air supply is provided by Jenny Air Compressors which are made of high-quality components cast, machined, and manufactured in the United States. For information regarding these systems, refer to the factory Jenny Owner's Manual provided.

The ES system utilizes air for multiple functions but most importantly for its actuation of the main blade assembly. This functionality requires flow and capacity for proper performance. For integration of remote mount Jenny Compressors or for user supplied air compressors, refer to following technical specifications.

-Minimum Air Supply Pressure of 100 PSI

-Minimum Air Supply Line Size of ½"

-Recommended Air storage capacity of 30 Gallons (30 Gallons @ 100psi provides approximately 50 knife cycles without recharging.)

-Supply Line capacity design or distance can affect performance; a capacity tank may be required directly before ES system.

-If gas engine driven compressor is located remotely from the ES system custom starter cables will be required for key start to function. Refer to Honda Engine Manual for configuration.

-If installation of secondary compressed air circuit is desired (For example hose reel) confirm port use. Middle level ports of Jenny 30-gallon tanks are outfitted with tank drain internal straw lines. Remove fitting completely and disassemble straw tube so that secondary system does not consume dirty air from floor of air tank. With installation of secondary system all tank drain functions will need to be done via the factory drain port on the bottom center section of tank.

Compressed Air Supply via Motor Vehicle:

⚠ WARNING Use of motor vehicle brake system air supply to operate ChemBlade ES systems will immediately void all liabilities to the manufacturer. The ES does not utilize DOT rated components and is intended in no way to work in conjunction with brake system requirements.

Technical Reasons NOT to use semi-truck engine air compressor for supply:

Vehicles who switch trailers will transmit dirty air from system to system, this could potentially cause immediate issues with ES components.

Truck engine compressors are not designed to create volumes of air or capacity to function large bore air cylinders like used in the ES system. With continued use for large capacity supply their mechanical design will create heat. This will in turn create excessive amounts of water or debris which can cause ill effects on any pneumatic system.

⚠ WARNING When integrated with truck air supply then the truck and trailer's components will become reliant on the ES system. The system does not utilize DOT components and should not be relied on for stability of brake supply air.

5. New System Pressure Test/Leak Test Values:

All 3" bypass venturi models are pressurized to 55 psi for leaks and are guaranteed to not leak at this performance point upon delivery.

ES units with Suction Only (SO Option) are pressure tested to 55 psi. Note that for application of these systems the rinse pump discharge should have some means of pressure relief protection. This can be done in many ways, but most economically is achieved via pump "bleed" lines. When statically bleeding pressure from the discharge, ensure that the correct size fittings and line are used to keep the pump inside its curve chart parameters. SureFire Ag Systems takes no responsibility of auxiliary pump components, or misuse of the system by over-pressurizing the plumbing components.

6. Operating Instructions:

The ChemBlade ES relies on multiple systems to maintain functionality. The system can be configured with a 12V deep cycle battery or wired to the transport vehicle alternator with the appropriate harnessing. With the presence of only the battery, with proper shut down and maintenance of the system, it should last entire seasons. Maintain battery appropriately during off season.

The second system the ES relies on is compressed air. Air is used for the actuation of blades, actuation of rinse valve, and actuation of jug hold down system which secures the various sizes of containers. The ES system will not function properly if there is not enough pressure or volume of air supplied to the system. JUG & LID buttons will begin flashing warning that the supply is weak.

The third system the ES relies on is freshwater rinse or carrier pressure. All models using a venturi will require sufficient carrier flow for functionality of the rinse system and the tank discharge suction. If inadequate pump speed is used the performance of the ES system will lack. Utilize maximum operational RPM of pump possible. The minimum water pressure is 20 psi, but it is recommended to provide 40-50 psi for most effective and efficient rinsing.

Refer to the next page for system operation, also located on the top of the ChemBlade ES tank.

Mechanically Opening Lid:

In the case of battery failure or not enough voltage for the LID button to function, the ES tank can still be accessed. Using a small tool like a pick or screwdriver reach into the small window located in the upper left corner of the sheet metal protecting the latch. This is located on the front side of the lid. Once in the window leverage the small arm inside towards the left-hand direction. This will mechanically disengage the latch and allow the lid to open.

Cleanout Procedure for Switching Products/Cross Contamination Prevention:

Cycle an automated "TANK" rinse cycle via the keypad button while allowing the tank to be sucked empty. During this operation briefly turn on the "DRY FLUSH" manual valve to purge its lines and fittings as well. Cycle "MANUAL TANK RINSE" valve until the plumbing circuit has been purged or for extended periods as well as cleaning or rinsing the right-hand side of tank from bulk product use.

Note that during DRY FLUSH the sight gauge does not indicate tank level, if used for extended periods intermittently turn it off to check tank content level.

If making a drastic switch between chemical products it is highly recommended to include an additional cleaning step to this process. Close the Tank Outlet valve, pour in tank cleaner product and via the DRY FLUSH valve fill the tank to the 45-gallon mark before allowing the product to exit. This process will flood the tank with the cleaner/water solution and will allow it to agitate into all areas.

Basic Operating Instructions

⚠️ WARNING Fast moving sharp objects and high-pressure spray systems. Follow all operating instructions and do not tamper with safety mechanisms.

Minimum Water Pressure: 20 psi. Best performance at maximum flow/rpm.

Minimum Air Pressure: 100 psi for blade operation.

LED FUNCTIONS - LED Adjustments and Meaning

Brightness - While holding down **DRY** button, use the **↑↓** arrows to brighten or dim the keypad lights.

JUG Cycle Times - Use the **↑↓** arrows to shorten or extend jug cycle duration.

TANK Rinse Cycle Times - During **TANK** cycle, use the **↑↓** arrows to shorten or extend rinse duration.

All Flashing - Not enough air pressure.

Blue Flashing - Low Battery



JUG CYCLE - Cuts, Empties, and Rinses Jugs.

step 1. Use **LID** button to open tank and place jug inside.

step 2. Adjust sliding jug platform plates for proper container cutting.

step 3. Use keypad **↑↓** buttons to adjust **JUG** cycle time (*JUG cycles have a standard 10-second duration and each light represents an additional 5-second rinse increment*).

step 4. Close lid and press **JUG** button to begin cycle (*Lid must be latched shut for operation*).

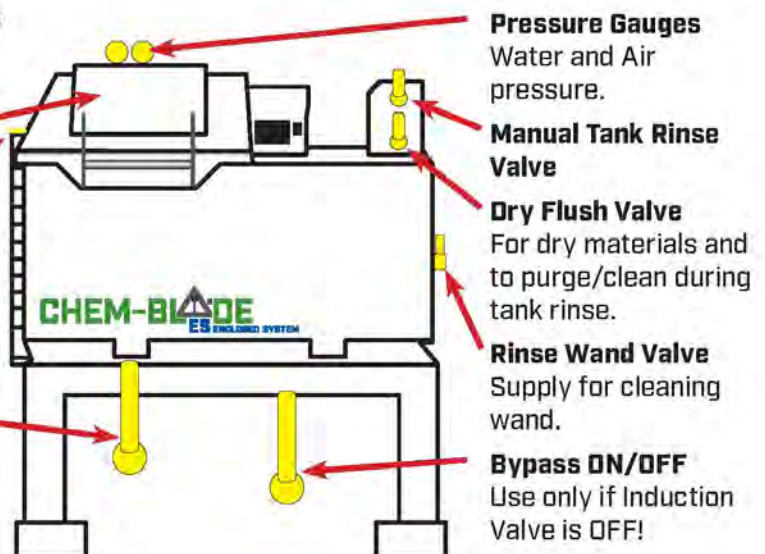
step 5. Lift lid and remove jug and insert next jug, or perform a **TANK** rinse as required.



Jug Label Must Face Operator!

↑ Dry Cut Button
Press simultaneously with **DRY** button on keypad for blade operation.

Induction ON/OFF
Do not turn on with Bypass open.



DRY BAG CYCLE - Cuts & Empties Bags; Lid Can be Open or Closed.

step 1. Use **LID** button to open tank and adjust jug platform plates towards operator. Place bag inside.

step 2. Open the manual **DRY FLUSH** valve before knife operation.

step 3. Simultaneously press the keypad **DRY** button and the yellow **↑** button on the left side of the tank for actuating knife to cut & empty dry product bag.

step 4. Insert next bag, or perform a **TANK** rinse as required.

TANK RINSING/CLEANING OPTIONS - After JUG, DRY, or Bulk Induction Cycles.

- **TANK BUTTON** actuates main rinse head. Perform after all **JUG** or Bulk cycles to purge lines and clean Jug Holding Platform. Use keypad **↑↓** buttons to adjust rinse times by 5-second increments.

- **DRY FLUSH VALVE** must be actuated when cleaning the tank. This purges/cleans interior tank fittings and sight gauge.

- **MANUAL TANK RINSE VALVE** should be used after every Bulk cycle or when general tank cleaning is needed (Rinse head is centrally located for optimal rinse coverage).

- **RINSE WAND VALVE** for manually rinsing interior or exterior surfaces.



⚠️ DANGER

Refer to Safety Instructions before Operation.
Characteristics of operation can cause serious injury or death.

7. Troubleshooting:

Keypad:

- **All Lights Flashing** – Not enough air pressure (less than 85 psi)
- **Blue Lights Flashing** – Low Battery
- **Green Lights Flashing** (Above Lid Button) – Jug Hold Down Cylinder malfunction or not engaging. This indicates an issue with the MAC air valve, the hold down cylinder or the sensor. If the cylinder appears to be engaging the and pushing the cable, the issue is with the sensor. Use an Allen wrench and re-align the sensor with approximately ¼” overhang on the right side of the groove in which it is installed. Tighten set screw but do not overtighten.

Jug Rinse:

- **Jug Not Clean** – Increase rinse cycle time (each light represents 5 seconds). Rinse pressure may also be inadequate, ensure a minimum of 20 psi rinse pressure on the gauge.
- **Jug is not being cut cleanly** – If the cuts appear to be twisted or weak, the jug hold down grate may not be locking in place properly. Adjustments can be made to the long cylinder on the rear left hand side of the tank. At the bottom of this cylinder, a jam nut needs adjusted so that the plastic lever just touches the internal pin (locking mechanism) of the cylinder. To test the operation, first shut off water and ensure no residual pressure is in the water line. Then open the lid and hold half-way open. With the door open, close the lid latch and push the “Jug” button on the keypad so the knife is actuated. **⚠ CAUTION** Carefully reach in the tank, avoiding the knife, and check the grate to ensure it is sturdy and doesn’t move. Adjust the jam nut until the grate remains sturdy during operation and is properly holding the jug in place to make a clean cut.

Tank Eduction:

- If a venturi is present on the bottom of the tank, an obstruction or poor plumbing can cause poor tank eduction rates. Venturi systems rely on the difference of pressure between the inlet and outlet of the venturi for the suction performance on the branch/tank outlet port. Try to keep plumbing direction changes of both inlet and discharge flow to a minimum and utilize appropriate grade and style of components. The 45 angle and “sweep” style 90 fittings permit the most flow for directional changes and should be used when feasible.

Input Pressure (PSI)	Eduction Rate (Gal/Sec)	Eduction Rate (Gal/Min)	Carrier Flow Rate (Gal/Min)
20	0.57	34.2	27.06
40	0.86	51.6	38.09
60	0.85	51	44.58
80	1.21	72.6	50.46
100	1.18	70.8	55.38

- **⚠ WARNING** Under normal operation, opening the venturi supply valve and tank valve could cause water to flow up through the drain of the tank, splashing the operator. Always use care when opening the venturi supply valve or induction valve. Typically, this happens if there is insufficient flow across the venturi and/or there is an obstruction in the outlet hose. Establishing full flow and pressure drop across the venturi before opening the tank induction valve should mitigate this risk.

8. Winterization/Storage Instructions:

The ChemBlade ES requires minimal but important maintenance every year, winterization, or storage period. To ensure no damage to plumbing or pneumatic system components from freezing, follow the instructions below for proper winterization.

⚠ CAUTION Properly perform depressurization of all systems before performing any maintenance procedures. Line contents under pressure can cause severe injury.

Rinse Supply Strainer Maintenance: If applicable, remove the lower portion of the Banjo water strainer by turning it counterclockwise/leftwards. With washing of strainer and lower assembly reassemble.

Winterization: Recommend flushing the entire system with an adequate amount of RV antifreeze, ensuring that all components and hoses have been flushed. Even small amounts of water left in the system can cause damage to plumbing or pneumatic fittings. SureFire recommends storing the ChemBlade ES indoors during winter or for extended periods of non-use.

Air Supply Filter Maintenance: **⚠ CAUTION** Relieve system pressure before performing any maintenance. By pulling downward on the black tab and twisting you can remove the lower bowl assembly from the MFD air filter/regulator housing. Use dry air and towel to clean any debris from the bowl. Simply reinstall by pushing upward into the housing and twisting until it clicks into place. If the filter assembly needs to be replaced, contact your system provider.

12V Battery Maintenance: If charging of battery is needed provide a slow and low charge as this is best practice with its specific AGM technology. Disconnect both battery leads for offseason of system.

The factory battery includes a 3-year free replacement warranty, return to an Optima dealer to be the most effective at replacement. The OEM battery is a 8022-091 75/25 Redtop Optima.

UV Protection: During the offseason UV protection benefits the machine but is not required. All components are outdoor environment ready but will see considerably longer lifespans if shaded from UV during long down times. For example, the black polypropylene fittings and EPDM hose will fade and weaken over time in UV but if stored correctly can see a 100-200% increase in lifespan.

9. Preventative Maintenance Instructions:

The ChemBlade ES system is designed for decades of use. With this type of lifespan certain components may need adjustment along the way.

Hold Down System Cable Adjustment:

The linkage cable for the hold down system may stretch over time. If user is experiencing incomplete cuts or twisted containers in operation the cable may have become slack and is not forcing a complete hold down on containers. If so, adjustment of the cable is required. The tools required are (2) 10mm end wrenches and a small adjustable wrench.

The junction box to perform this adjustment is located in the middle of the backside of the tank. Using the adjustable wrench hold the hexagonal collar on the end of the cable entering the junction box and use one of the 10mm wrenches to loosen the black nut located on the inside of the junction box. Loosen this black hex nut a good distance from the junction box wall. With the cable now freed from the box begin to adjust the thin zinc coated 10mm hex nut located on the outside of the junction box. The hexagonal collar will need to be held with the adjustable wrench so that it does not try to twist the cable. To test tension simply grab the cable end that connects to the small air cylinder's clevis. CAUTION: Do not overtighten cable tension as that will cause premature failure or improper function of the system. Tighten the cable until the cable end is just tight enough into the clevis that you can not pull it away any with your fingers. Once reaching this adjustment retighten the black hex nut while backing up with the adjustable wrench on the cable collar.

Proper Cable Linkage Tension:

Undertightening of cable linkage will result in the tank lid not opening properly. The system will prematurely lock the mechanism thus causing the lid to not open freely.

Overtightening of cable linkage will cause the ES system to not hold containers correctly and will cause premature failure of linkage components.

Lubricate lid hinge with gun oil annually.

Blow latch out with air to remove dirt after each season.

CHEM-BLADE[®]

Chemical to Seal Compatibility Chart

COMPOUND	EPDM	Viton	Silicone	COMPOUND	EPDM	Viton	Silicone
2,4-D Ester		△		Lexar [®] EZ	△		
Accord & Accord XRT	△	△	△	Liberty		△	
Atrazine	△	△		Lorsban 4E		△	
Balance Flexx	△	△		Lorsban Advanced		△	
Callisto [®] 480SC	△			Lumax [®] EZ	△	△	
Cappreno	△	△		Matador		△	
Degree Xtra [®]	△	△		Max-In [®] Ultra ZMB	△	△	
Dicamba/Xtendimax	△			MSO, Crop Oil, Oil Based		△	
DiFlexx Duo	△	△		Nitrogen based		△	
Duramax, Durango	△	△	△	N-Serve 24		△	
Engenia	△			Parity		△	
Enlist Duo	△	△	△	Prosaro	△	△	
EverGo	△	△		RAXILPro	△	△	
Foliars		△		Rely 280	△	△	
ForeFront	△			Resicore			△
FulTime [®] NXT		△		Roundup [®]	△	△	
Fungicides		△		ShredderTM E-99		△	
Garlon 3A	△		△	Stratego	△		
Gaucho 600	△	△		Stratego YLD	△		
Gramoxone/Paraquat		△		Stylet-Oil		△	
Grazon P+D	△			SureStart [®] & SureStart			△
GrazonNext	△			Surpass EC	△		△
Halex [®] GT	△			Tacoma		△	
Huskie		△		TopNotch	△		
Instinct [®]			△	Tordon 22K	△		
Keystone			△	Warrant/Paraquat		△	
Keystone LA			△	Wolverine ADVANCED		△	
Laudis	△	△					

The above AG Chemical Chart should be considered as a guide only due to the many variables which may affect the compatibility of materials. This guide is based on information obtained from a variety of sources and is believed to be accurate. Actual decisions on materials used need to be tested and evaluated by the customer for each specific application. The responsibility of proper chemical compatibility of equipment and material used is the full responsibility of the customer. SureFire Ag Systems does not warrant product damaged by non-compatibility.

The ChemBlade ES is Proudly Manufactured in the U.S.A. by



SureFire Ag Systems

9904 Hwy 25

Atwood, KS 67730

785-626-3670

www.surefireag.com

©2019 SureFire Ag Systems, Inc. – All Rights Reserved