

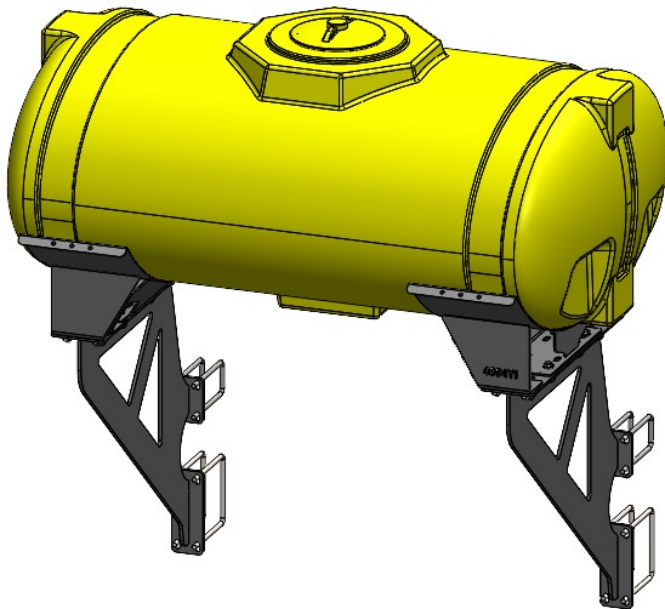
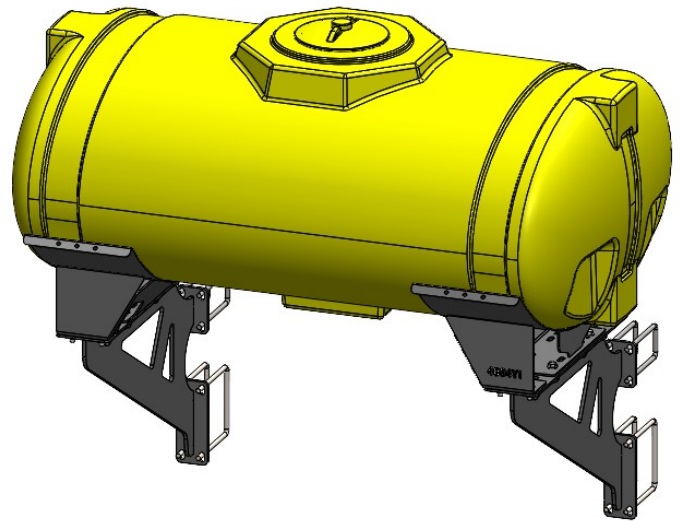


# 396-4107Y1

## John Deere 1770/1775 24R30 200 Gal Tank Bulk Fill/Row Box Wing Mounting Instructions

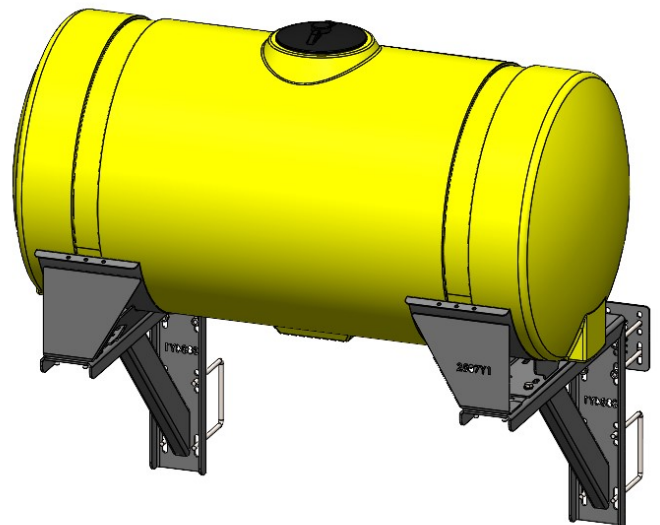
Planter Manufacturer: **JOHN DEERE**

**Kit Number: 530-01-550650**  
**John Deere 1770/1775 24R30**  
**Bulk Fill Elliptical Tank Kit**



**Kit Number: 530-01-550625**  
**John Deere 1770/1775 24R30**  
**Row Box Elliptical Tank Kit**

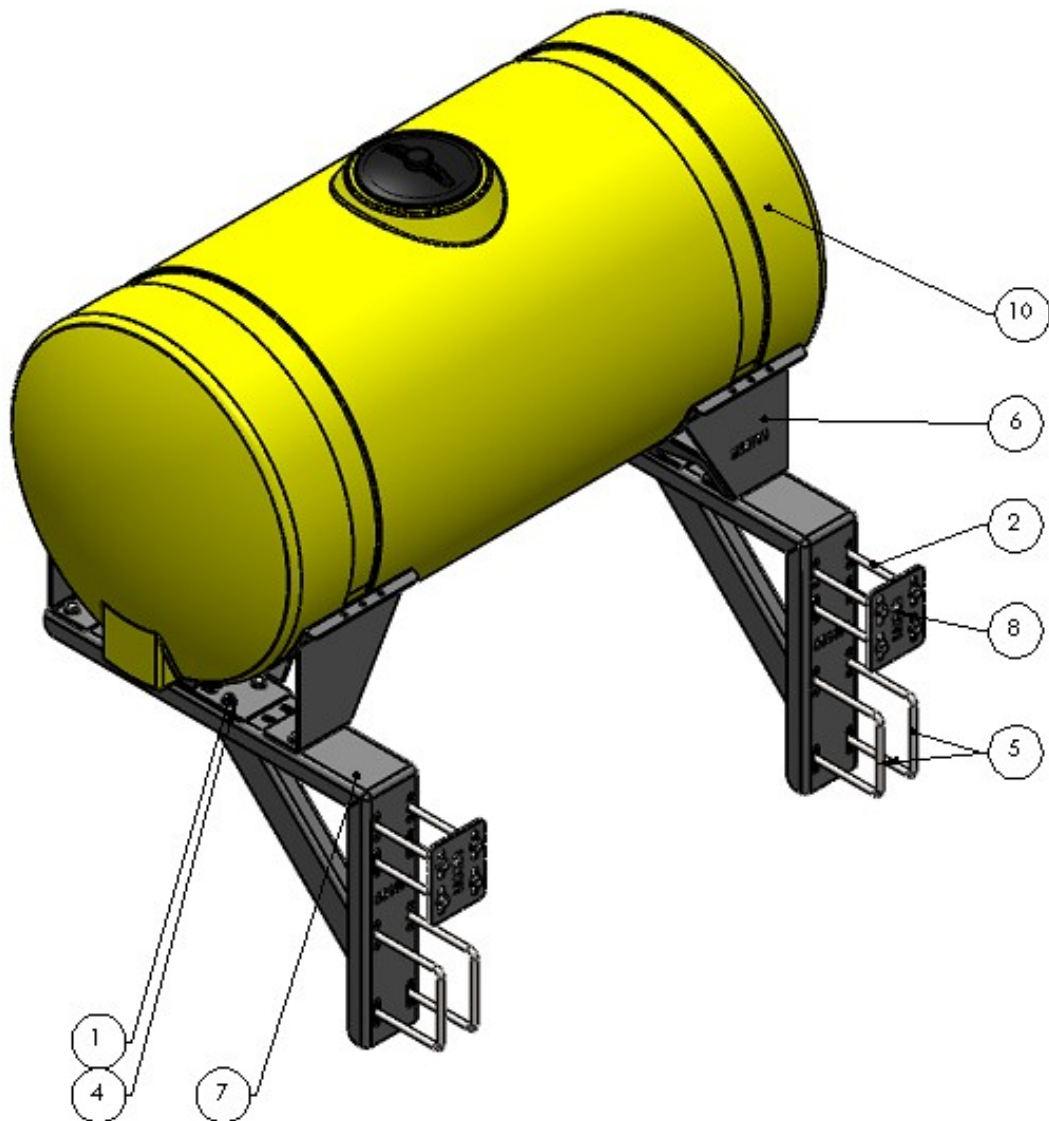
**Kit Number: 530-01-550600**  
**John Deere 1770/1775 24R30**  
**Wing Mount Horizontal Tank**





# Parts List and Exploded View 530-01-550600

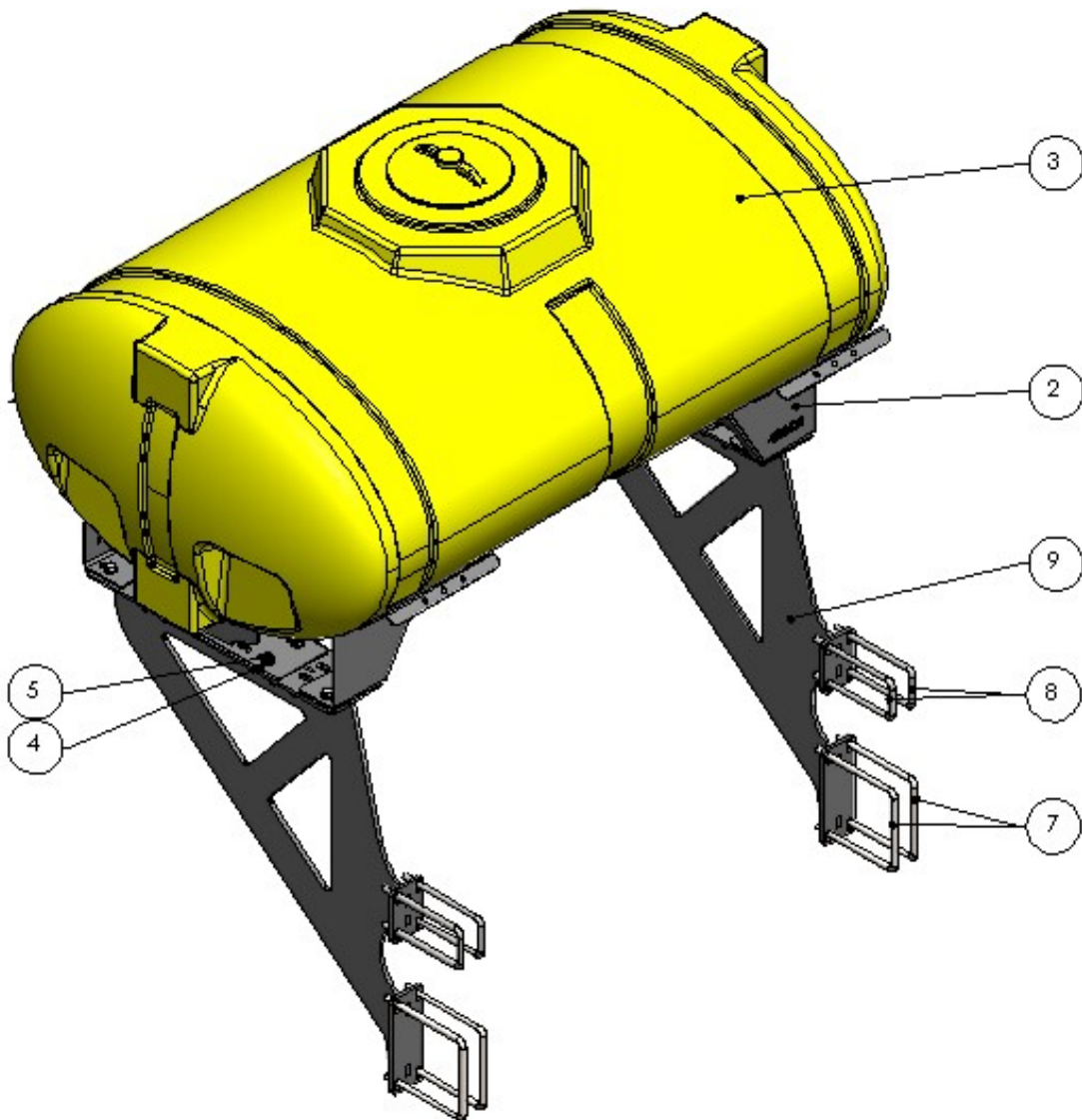
ITEM NO.	PART NUMBER	DESCRIPTION	QTY.
1	300-080108-5	1/2" x 1-1/2" Hex Head Bolt G5	16
2	300-080800-5	1/2" x 8" Hex Head Bolt G5	8
3	323-08	1/2" Flange Nut	24
4	330-08	1/2" Flat Washer	24
5	380-1001	1/2" U-Bolt Kit - Fits 7" x 7" tube - Includes Flange Nuts	4
6	420-2507Y1	Tank Saddle Weld Assembly for 32" Tanks	2
7	420-3834Y1	JD 1775NT 24R30 Wing Tank Mount Bracket	2
8	420-3835Y1	JD 1775NT 24R30 Wing Tank Mount Backer Plate	2
9	525-2055	2" Tank Strap Kit	2
10	727-02-HZ0200-32-Y	200 Gal Horizontal Tank - Yellow	1





# Parts List and Exploded View 530-01-550625

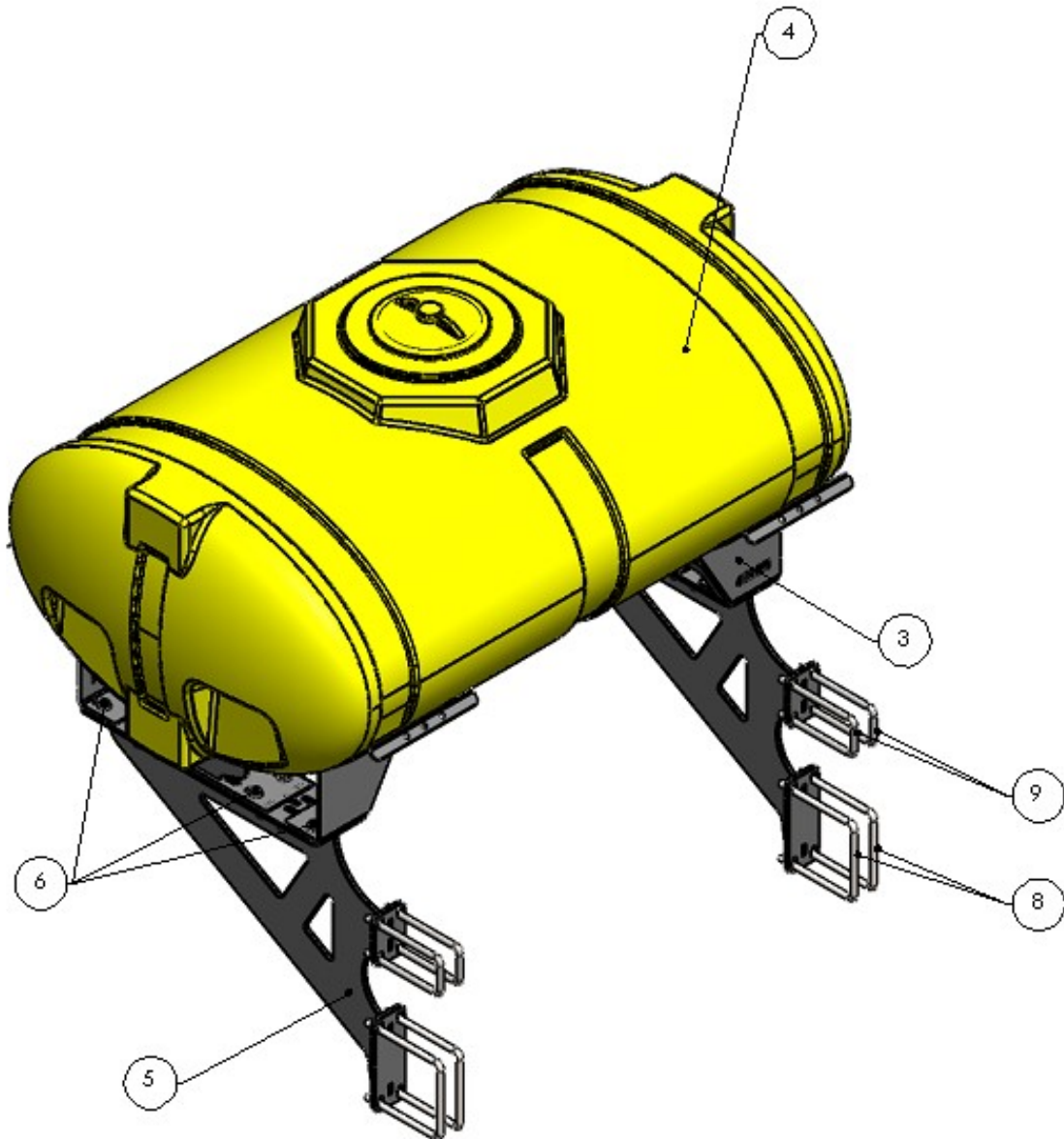
ITEM NO.	PART NUMBER	DESCRIPTION	QTY.
1	525-2055	2" Tank Strap Kit	2
2	420-4694Y1	200 Gal Elliptical Saddle	2
3	727-01-HE0200-41-Y	Elliptical Tank - 200 Gal - Yellow	1
4	330-08	1/2" Flat Washer	16
5	300-080108-5	1/2" x 1-1/2" Hex Head Bolt G5	16
6	323-08	1/2" Flange Nut	16
7	380-1001	1/2" U-Bolt Kit - Fits 7" x 7" tube - Includes Flange Nuts	4
8	380-1034	1/2" U-Bolt Kit - Fits 3" x 7" tube - Includes Flange Nuts	4
9	420-4600Y1	SureFire Ag 24R Wing Tank - Row Box Tank Bracket	2





# Parts List and Exploded View 530-01-550650

ITEM	PART NUMBER	DESCRIPTION	QTY.
1	330-08	1/2" Flat Washer	16
2	525-2055	2" Tank Strap Kit	2
3	420-4694Y1	200 Gal Elliptical Saddle	2
4	727-01-HE0200-41-Y	Elliptical Tank - 200 Gal - Yellow	1
5	420-4596Y1	SureFire Ag 24R Wing Tank Bracket	2
6	300-080108-5	1/2" x 1-1/2" Hex Head Bolt G5	16
7	323-08	1/2" Flange Nut	16
8	380-1001	1/2" U-Bolt Kit - Fits 7" x 7" tube - Includes Flange Nuts	4
9	380-1034	1/2" U-Bolt Kit - Fits 3" x 7" tube - Includes Flange Nuts	1

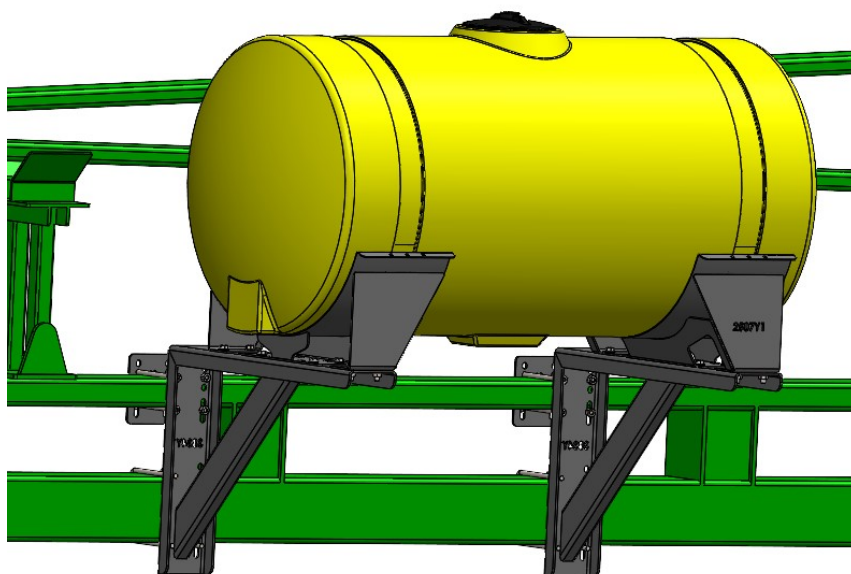
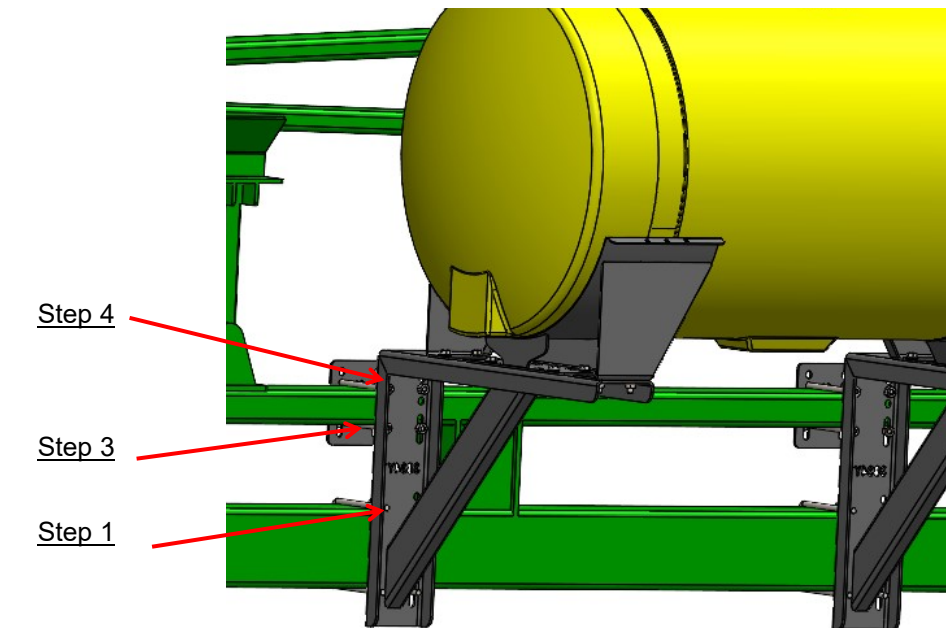




# Step by Step Instructions

## 530-01-550600

1. Loosely fasten support bracket to 7"x7" toolbar with provided U-bolts.
2. Loosen 3/4" bolts on hydraulic bracket and move the bracket to the inside of the planter.
3. Use 1/2" x 8" hex bolts and backer plate to fasten bracket to top 3"x7" toolbar.
4. Set tank saddles on top of support and use eight (8) 1/2" x 1-1/2" bolts to secure saddle in place.  
*(Saddles can be mounted either direction to provide mounting flexibility from obstructions.)*
5. Set tank in saddles and adjust as necessary. Route hoses through slots in support brackets.
6. Tighten all bolts and strap tank in place.
7. Check for clearance issues when folding planter for the first time.





# Step by Step Instructions

## **530-01-550625 & 530-01-550650**

1. Loosely fasten support bracket to 7"x7" toolbar with provided U-bolts (420-4600Y1 for Row Box, 420-4596 for Bulk Fill).
2. Loosen 3/4" bolts on hydraulic bracket and move it towards the inside of the planter.
3. Use 3" x 7" U-bolts to fasten bracket to top 3"x7" toolbar.
4. Set tank saddles on top of support and use eight (8) 1/2" x 1-1/2" bolts to secure saddle in place. *(Saddles can be mounted either direction to provide mounting flexibility from obstructions.)*
5. Set tank in saddles and adjust as necessary. Route hoses through slots in support brackets.
6. Tighten all bolts and strap tank in place.
7. Check for clearance issues when folding planter for the first time.

