



396-4030Y1

John Deere Tractor Front Weight Tank Mount Bracket Instructions (Does Not Work on 8R Series)

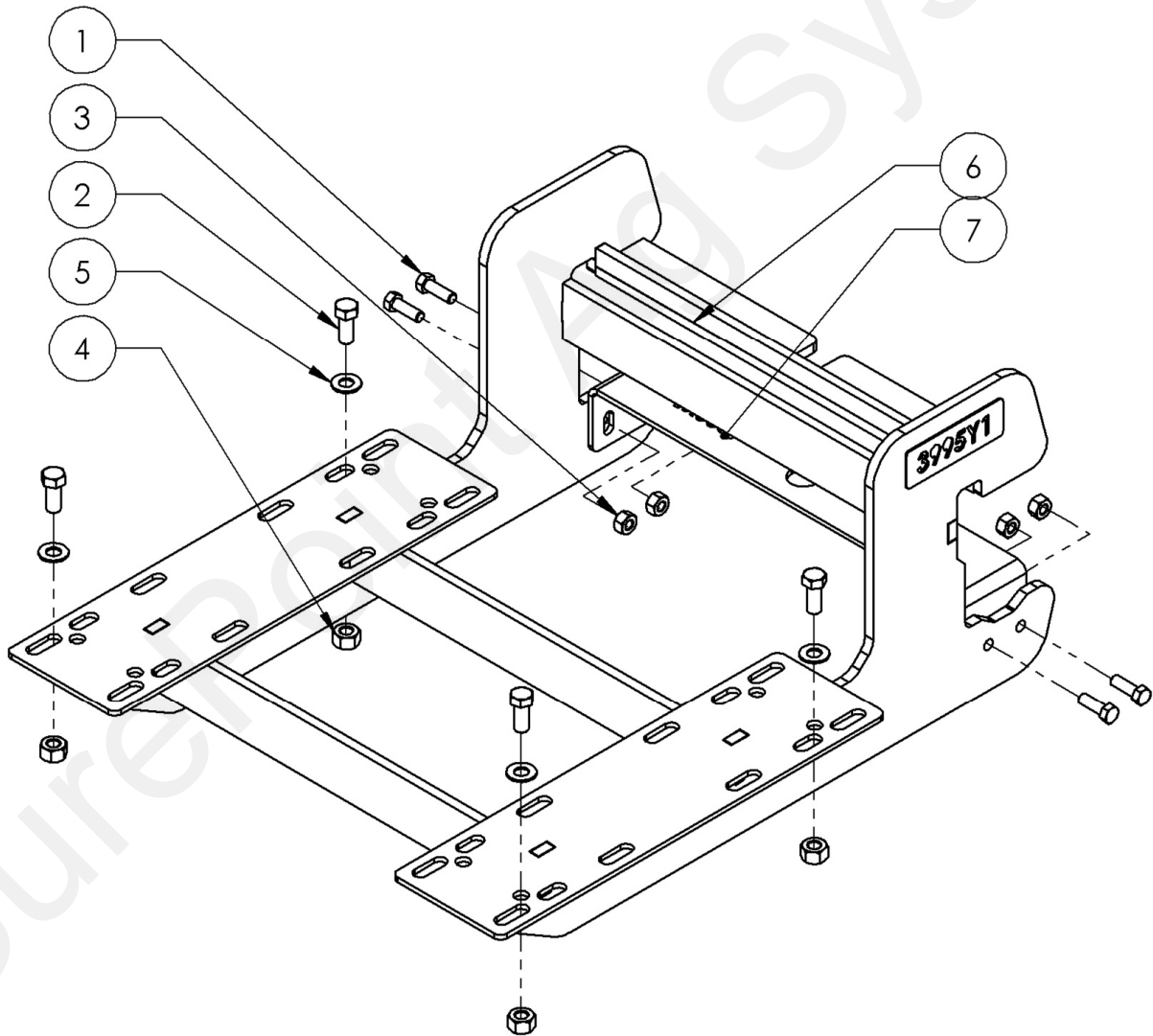
Kit Number: 749-01-100100





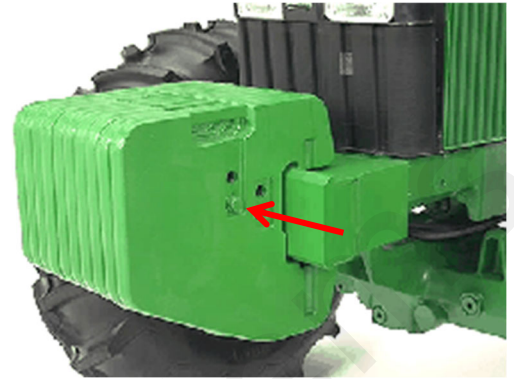
Parts List and Exploded View

ITEM NO.	PART NUMBER	DESCRIPTION	QTY.
1	300-080108-5	1/2" x 1-1/2" Hex Head Bolt—G5	4
2	300-100108-5	5/8" x 1-1/2" Hex Head Bolt—G5	4
3	323-08	1/2" Flange Nut	4
4	323-10	5/8" Flange Nut	4
5	330-10	5/8" Flat Washer	4
6	425-3995Y1-GN	John Deere Tractor Weight Tank Mount Bracket	1
7	425-4023Y1-GN	John Deere Tractor Weight Tank Mount—Bottom Clamp	1

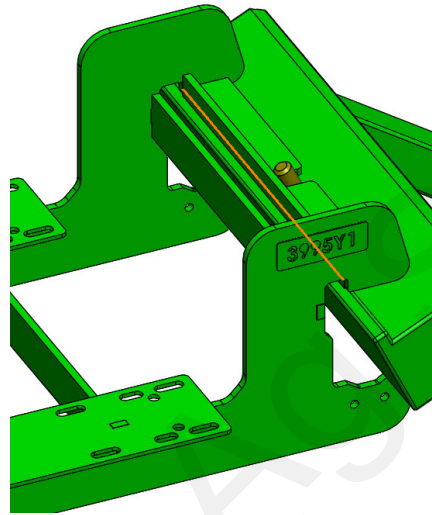


Step by Step Instructions

1. Remove all front tractor weights. Remove mounting bolts and slide or lift weights off.



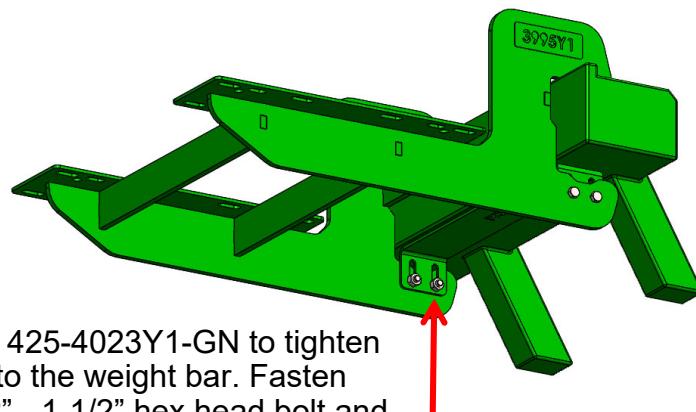
Step 1



2. Set the 425-3995Y1-GN bracket on the front weight mount bar. This is best achieved by tipping the front, aligning to the center post until the top of the bracket falls behind the lip and then lowering the front of the bracket.



Step 2

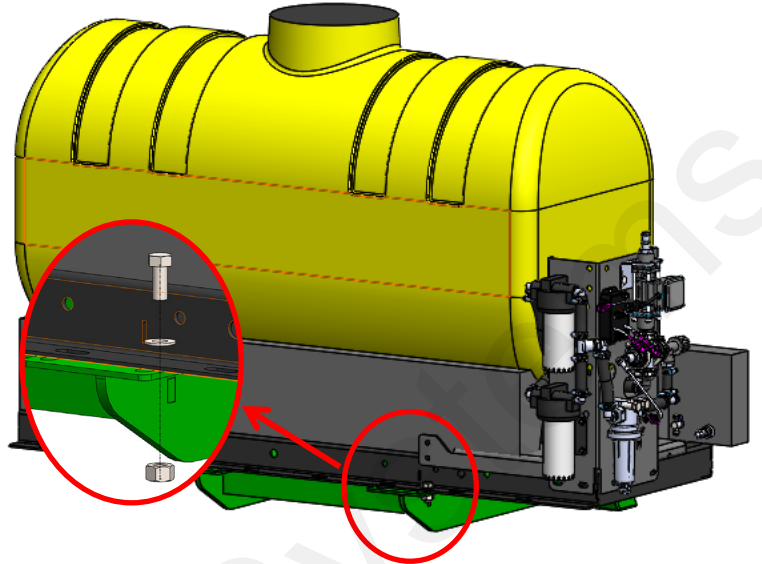
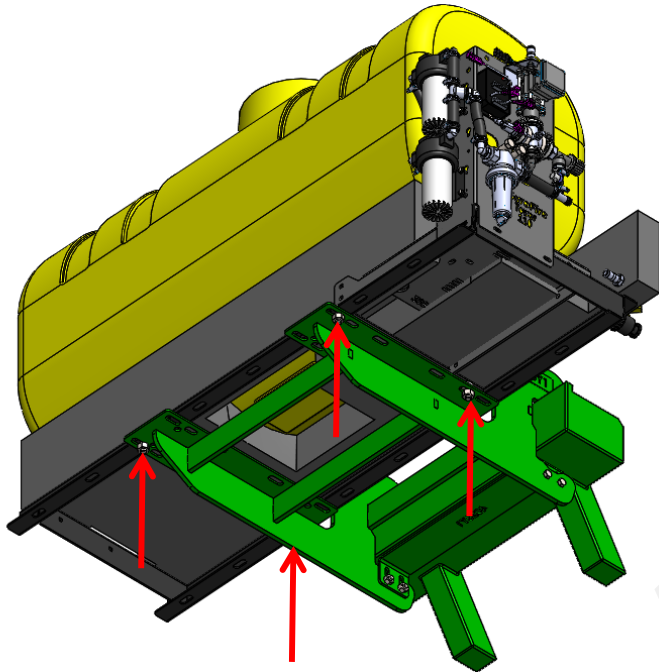


3. Use the bottom clamp 425-4023Y1-GN to tighten the mounting bracket to the weight bar. Fasten using the provided 1/2" - 1-1/2" hex head bolt and 1/2" flange nut. The tank mounting bracket should be securely fastened so that there is no movement.



SurePoint Accelerator Mounting Instructions

1. Mount the pre-assembled Accelerator Tank Skid to the Front Weight Bracket using the provided 5/8" hex head bolts, washers and flange nuts.



Compatible Models:

Kit Number: 524-01-005550

55 Gallon Accelerator Top Fill Tank & Basin Kit with Jet Agitator

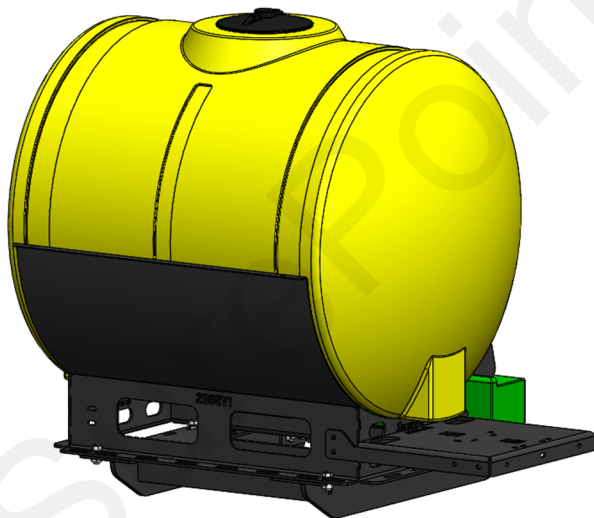
Kit Number: 524-01-011050

110 Gallon Accelerator Top Fill Tank & Basin Kit with Jet Agitator

Kit Number: 524-01-015550

155 Gallon Accelerator Top Fill Tank & Basin Kit with Jet Agitator

SurePoint Tank and Cradle Mounting Instructions



Compatible Kit Numbers:

530-00-100100

Universal 150 Gal Tank Kit - 32" dia Tank, Black Cradle, Straps
Mount a SureFire Tower system using kit 526-01-200300

530-00-100200

Universal 200 Gal Tank Kit - 38" dia Tank, Black Cradle, Straps
Mount a SureFire Tower system using kit 526-01-200350

524-02-425055-Y

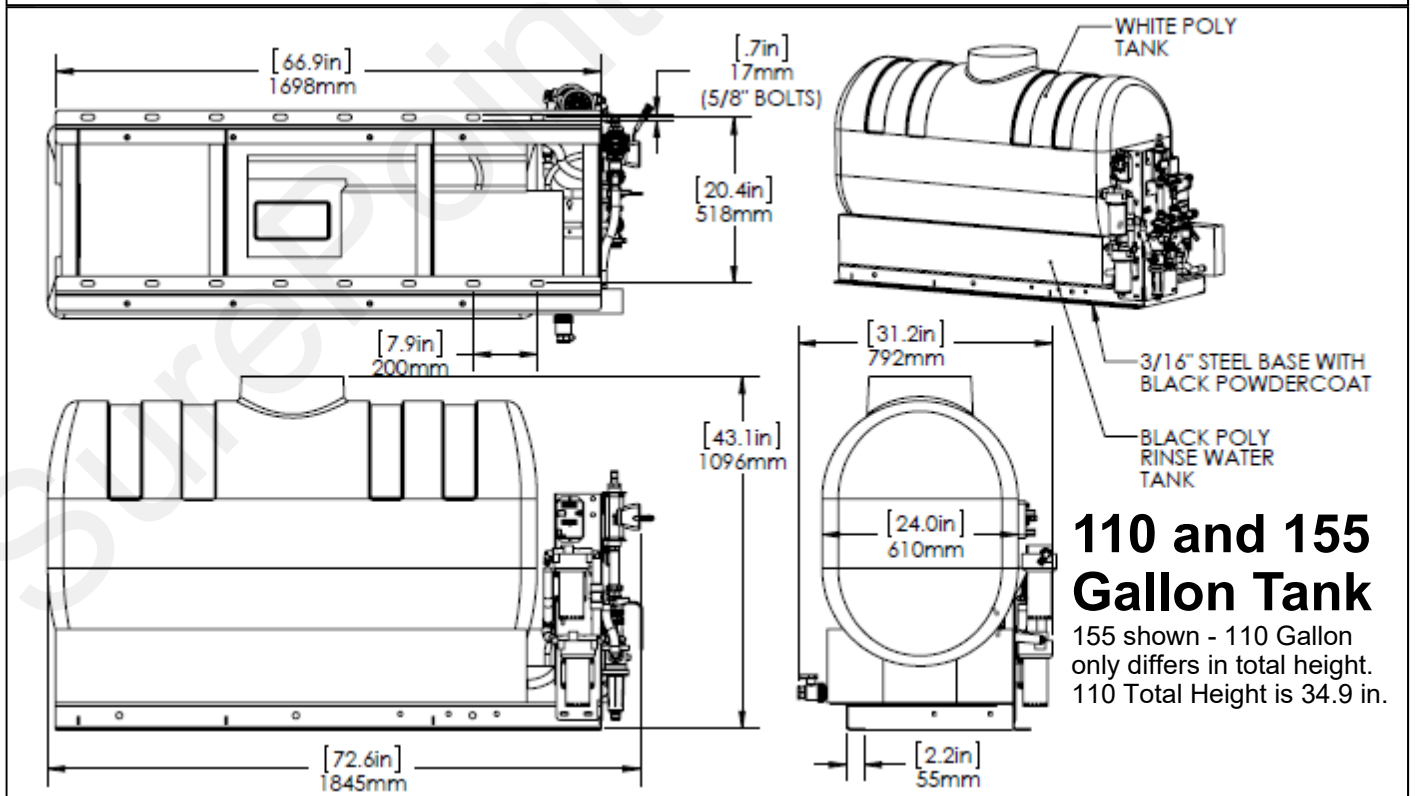
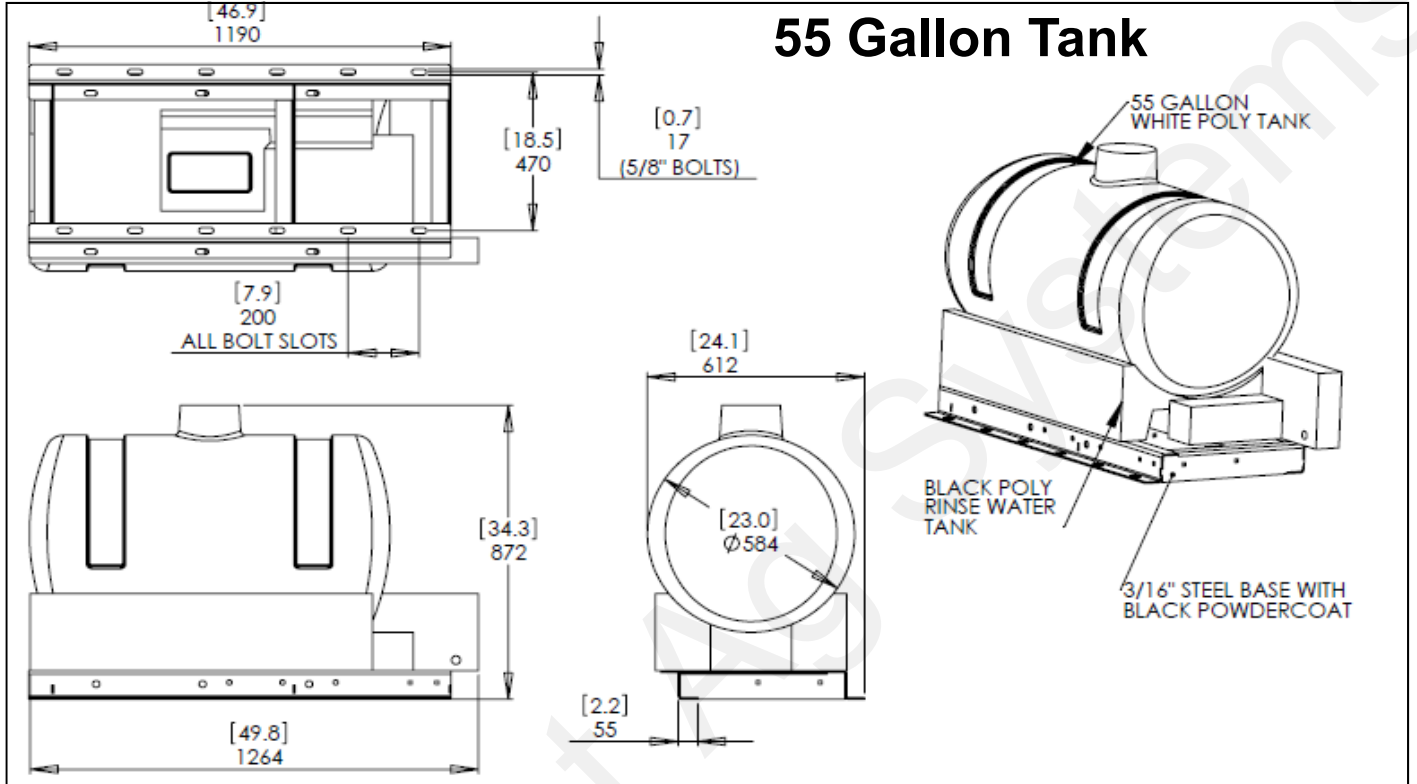
55 Gallon Yellow Tower 100 Tank Assembly

524-02-425110-Y

110 Gallon Yellow Tower 100 Tank Assembly

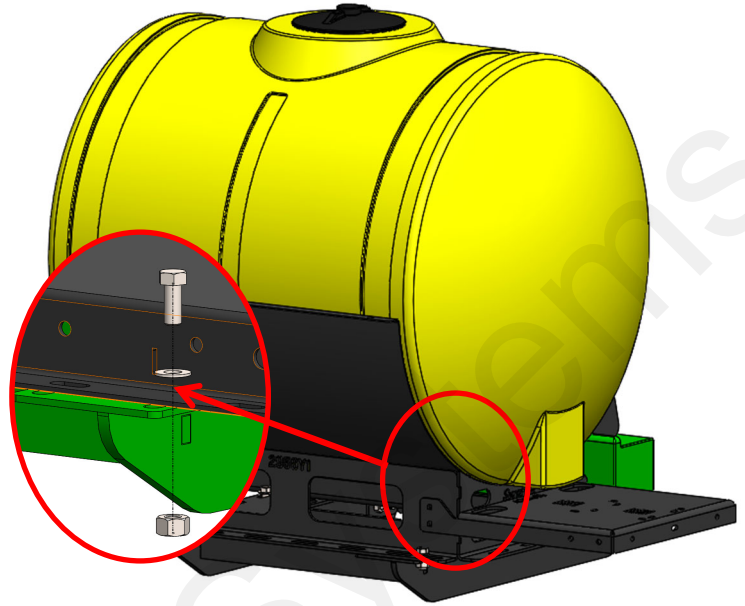
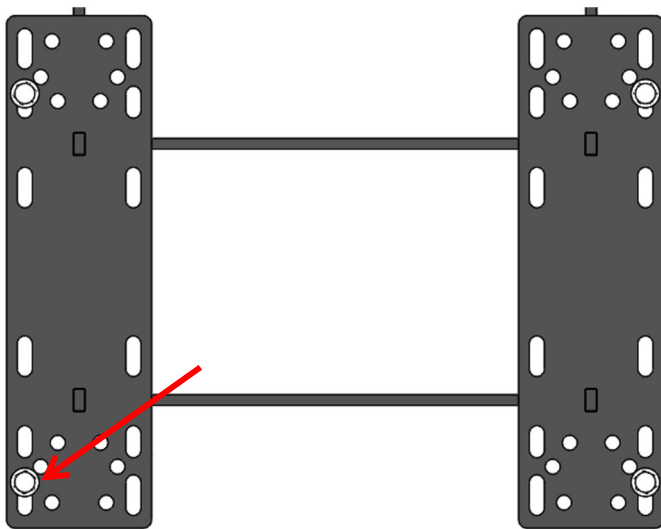
2,200 Lb Max Weight Capacity

General Dimensions SurePoint Accelerator Tanks



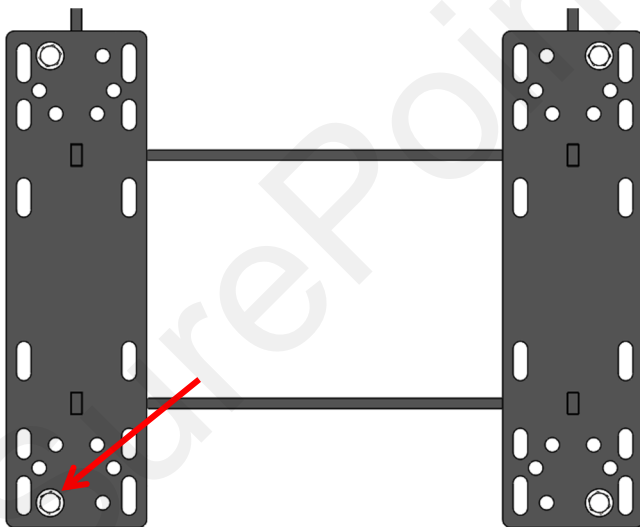


SurePoint Tank/Cradle Mounting Instructions

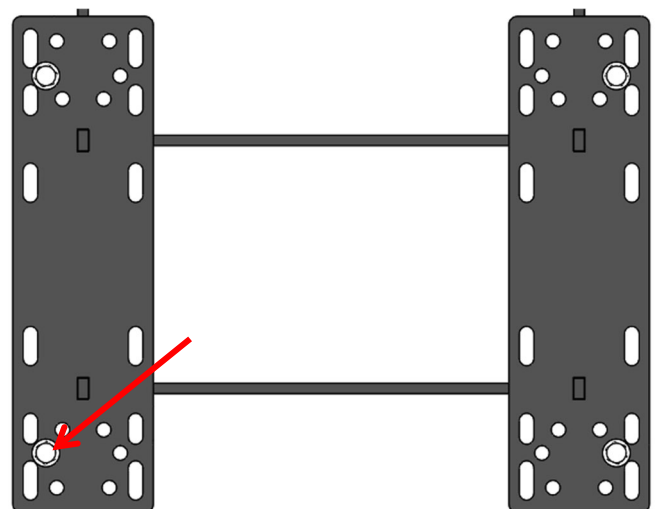


1. Mount the pre-assembled 150 or 200 Gallon Tank/Cradle to the Front Weight Bracket using the provided 5/8" hex head bolts, washers and flange nuts. See diagrams for intended hole mounting location.

530-01-100100
Universal 150 Gal Tank Kit -
32" dia Tank, Black Cradle, Straps
524-02-425110-Y
110 Gallon Yellow Tower 100
Tank Assembly



530-01-100200
Universal 200 Gal Tank Kit -
38" dia Tank, Black Cradle, Straps

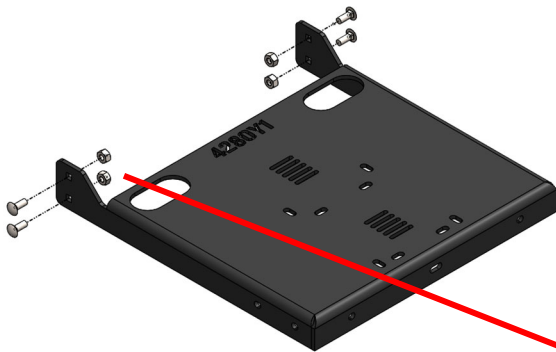


524-02-425055-Y
55 Gallon Yellow Tower 100 Tank
Assembly

2,200 Lb Max Weight Capacity



SurePoint Tank/Cradle Mounting Instructions

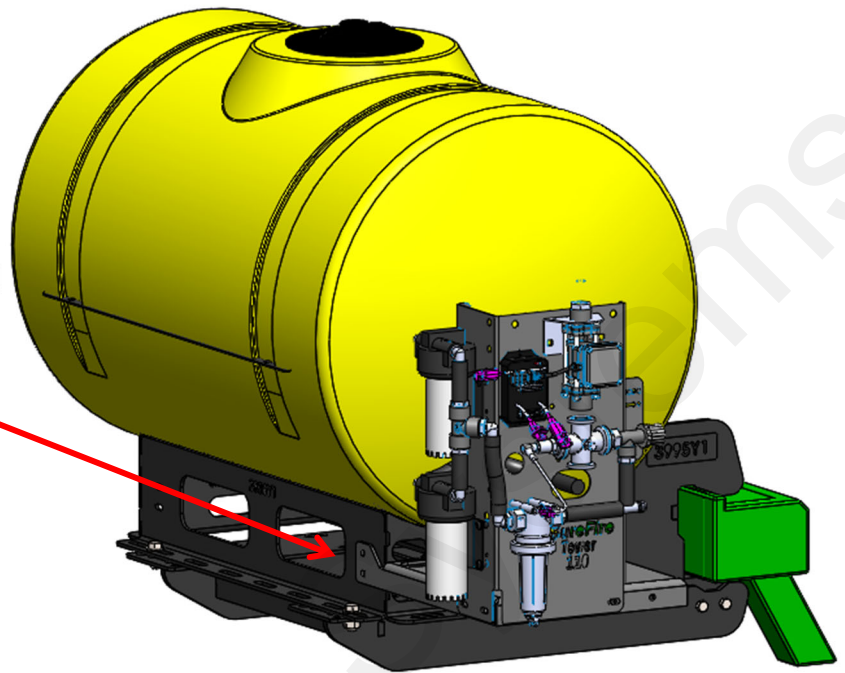


526-01-200300

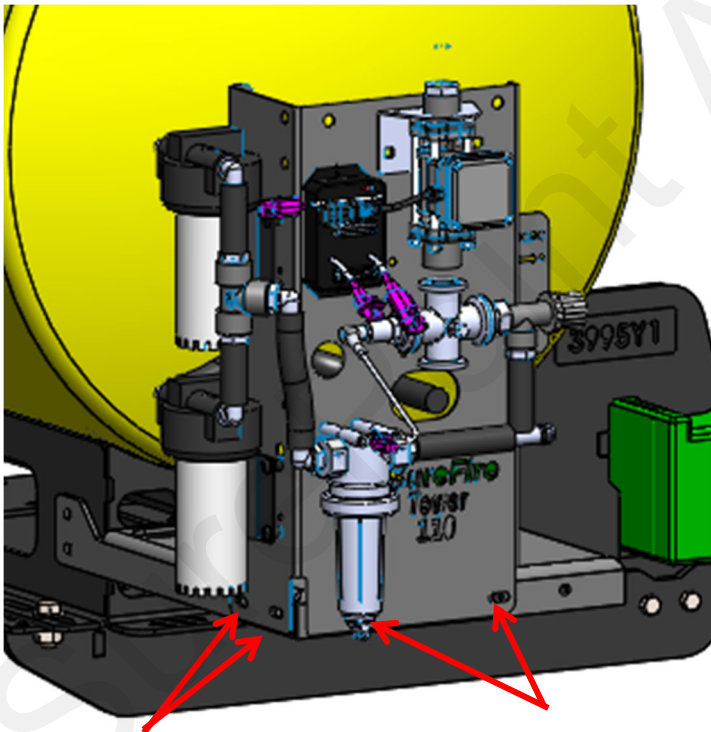
Tower to Cradle Mounting Bracket Kit -
Black (for 55, 110 or 150 Gallon Cradle)

526-01-200350

Tower to Cradle Mounting Bracket Kit -
Black (for 200 Gallon Cradle)



2. Mount the tower mounting bracket to the cradle using (4) provided 3/8" carriage bolts and flange nuts.

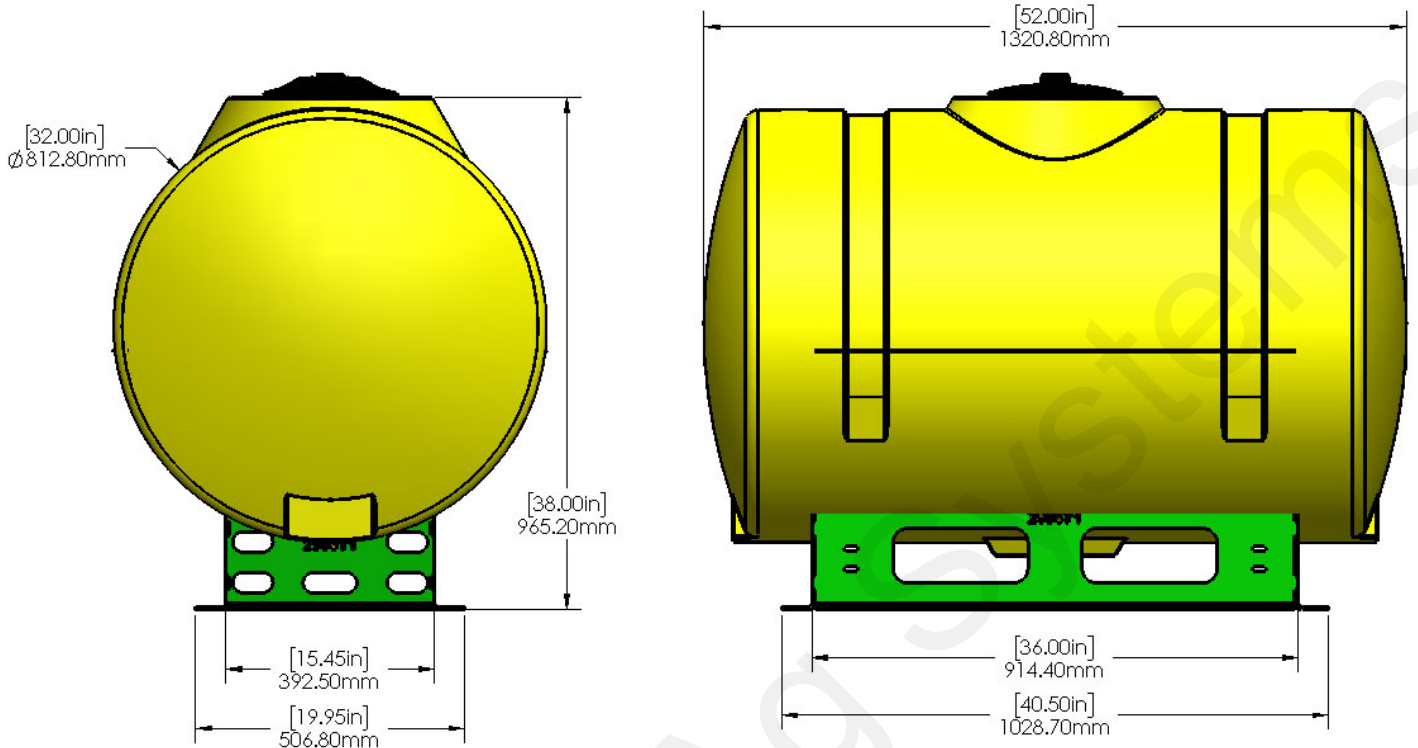


3. Mount the tower to the mounting bracket using (4) provided 3/8" carriage bolts and flange nuts.

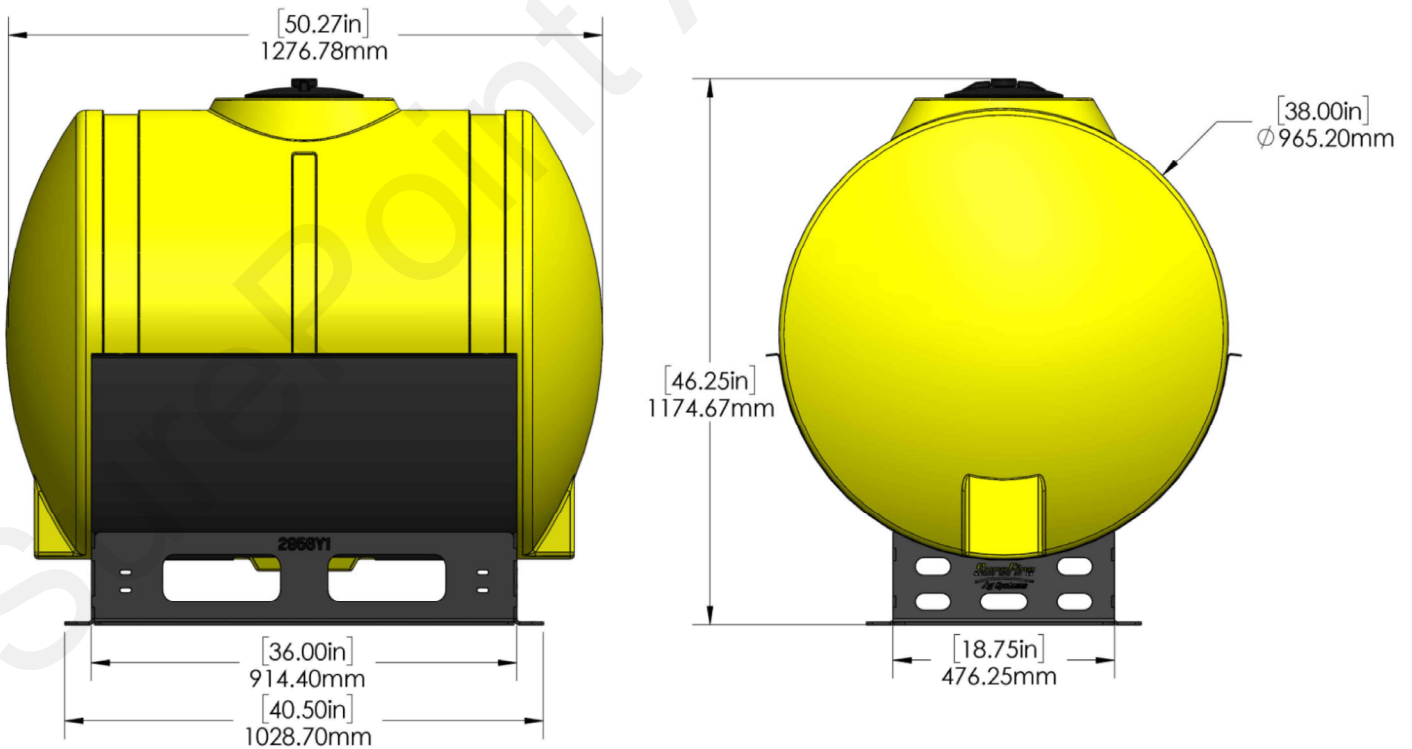
2,200 Lb Max Weight Capacity



General Dimensions SurePoint Cradle Tanks



530-01-100100—Universal 150 Gal Tank Kit - 32"Ø



530-01-100200—Universal 200 Gal Tank Kit - 38"Ø