



# 396-4030Y1

## **John Deere Tractor Front Weight Tank Mount Bracket Instructions (Does Not Work on 8R Series)**

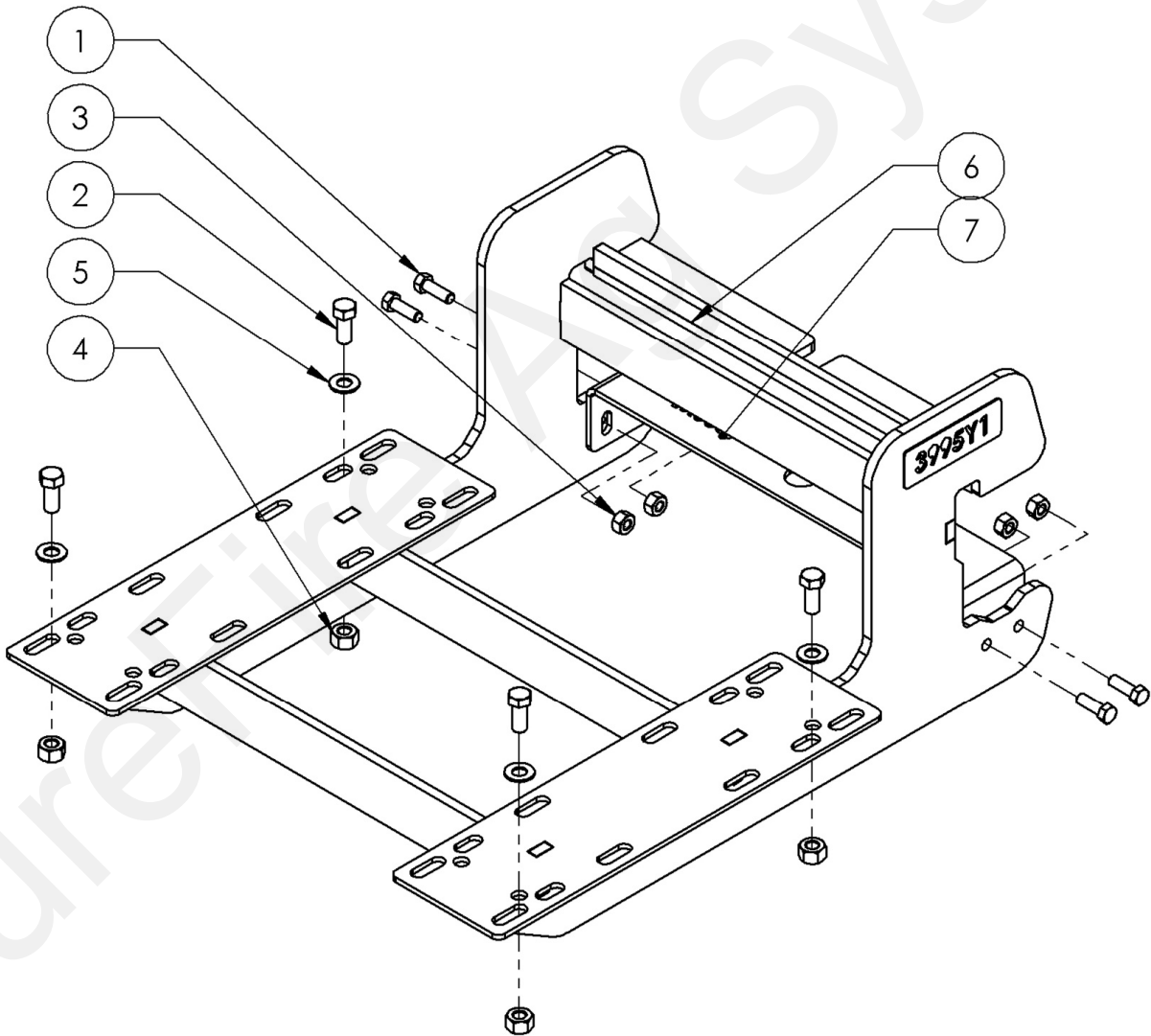
**Kit Number: 749-01-100100**





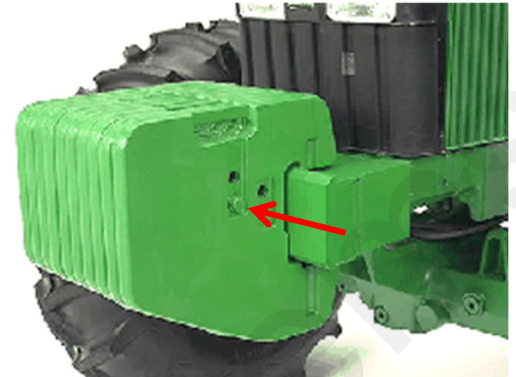
# Parts List and Exploded View

ITEM NO.	PART NUMBER	DESCRIPTION	QTY.
1	300-080108-5	1/2" x 1-1/2" Hex Head Bolt—G5	4
2	300-100108-5	5/8" x 1-1/2" Hex Head Bolt—G5	4
3	323-08	1/2" Flange Nut	4
4	323-10	5/8" Flange Nut	4
5	330-10	5/8" Flat Washer	4
6	425-3995Y1-GN	John Deere Tractor Weight Tank Mount Bracket	1
7	425-4023Y1-GN	John Deere Tractor Weight Tank Mount—Bottom Clamp	1

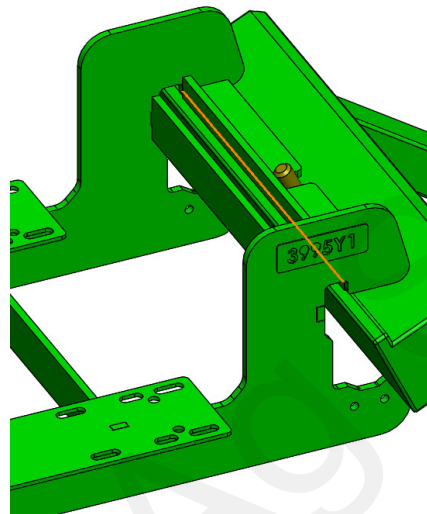


# Step by Step Instructions

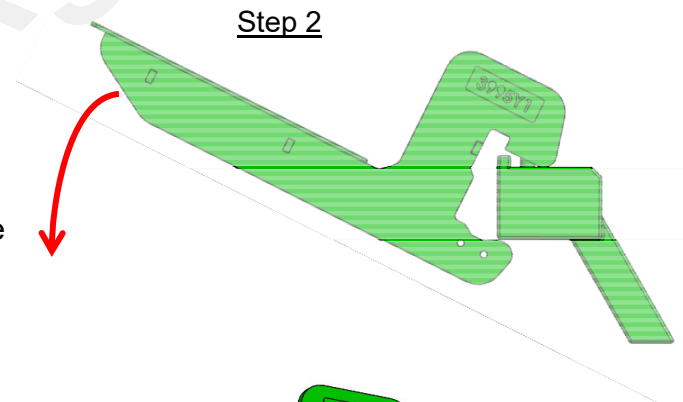
1. Remove all front tractor weights. Remove mounting bolts and slide or lift weights off.



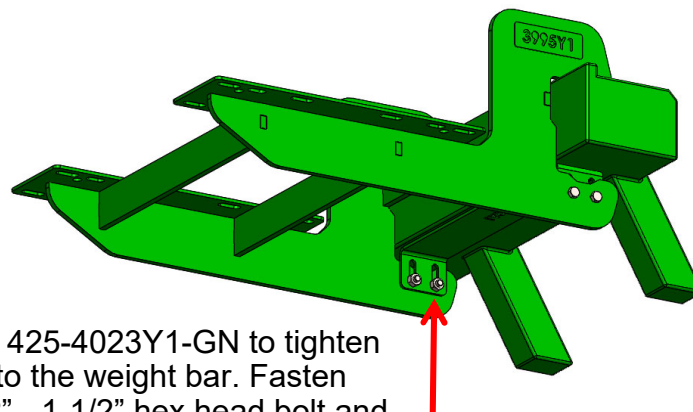
Step 1



2. Set the 425-3995Y1-GN bracket on the front weight mount bar. This is best achieved by tipping the front, aligning to the center post until the top of the bracket falls behind the lip and then lowering the front of the bracket.



Step 2



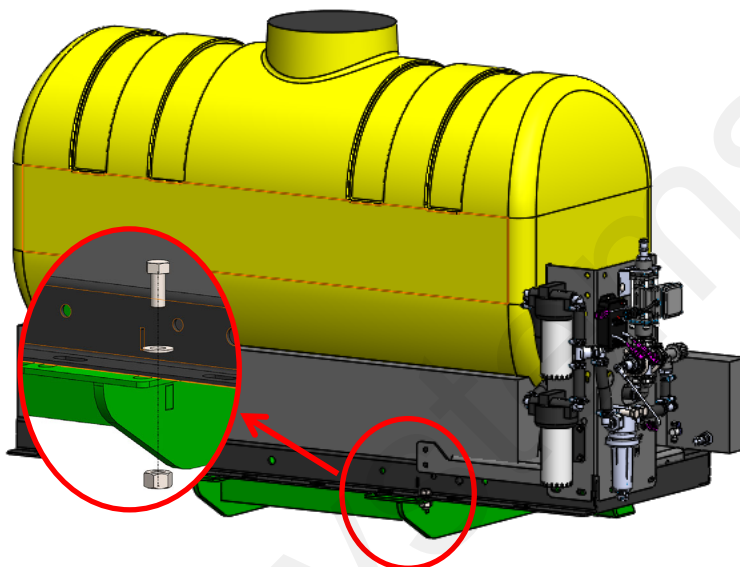
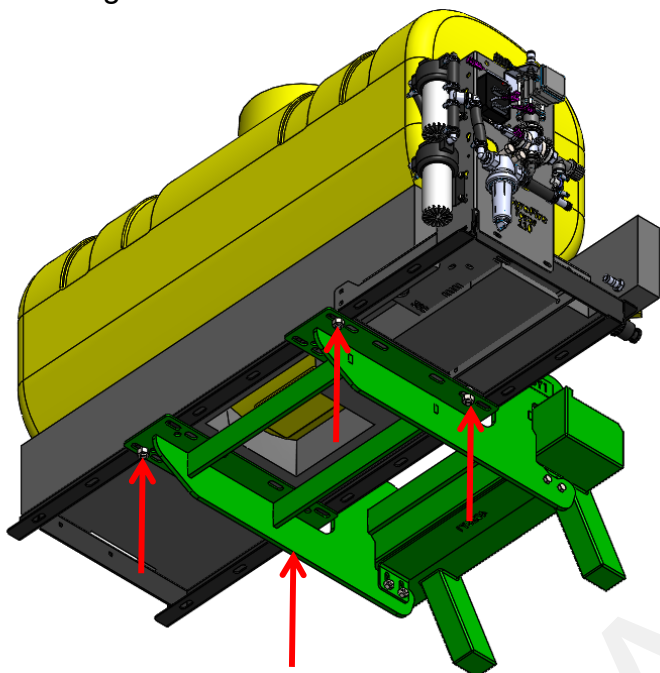
3. Use the bottom clamp 425-4023Y1-GN to tighten the mounting bracket to the weight bar. Fasten using the provided 1/2" - 1-1/2" hex head bolt and 1/2" flange nut. The tank mounting bracket should be securely fastened so that there is no movement.





# SureFire Accelerator Mounting Instructions

1. Mount the pre-assembled Accelerator Tank Skid to the Front Weight Bracket using the provided 5/8" hex head bolts, washers and flange nuts.



## Compatible Models:

**Kit Number: 524-01-005550**

55 Gallon Accelerator Top Fill Tank & Basin Kit with Jet Agitator

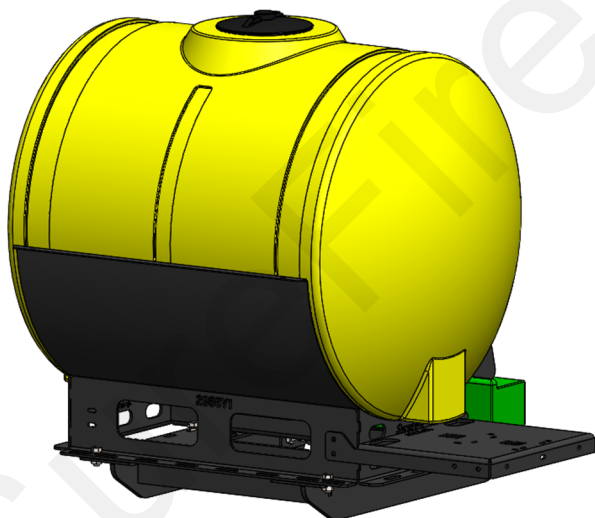
**Kit Number: 524-01-011050**

110 Gallon Accelerator Top Fill Tank & Basin Kit with Jet Agitator

**Kit Number: 524-01-015550**

155 Gallon Accelerator Top Fill Tank & Basin Kit with Jet Agitator

# SureFire Tank and Cradle Mounting Instructions



## Compatible Kit Numbers:

**530-00-100100**

Universal 150 Gal Tank Kit - 32" dia Tank, Black Cradle, Straps  
Mount a SureFire Tower system using kit 526-01-200300

**530-00-100200**

Universal 200 Gal Tank Kit - 38" dia Tank, Black Cradle, Straps  
Mount a SureFire Tower system using kit 526-01-200350

**524-02-425055-Y**

55 Gallon Yellow Tower 100 Tank Assembly

**524-02-425110-Y**

110 Gallon Yellow Tower 100 Tank Assembly

## 2,200 Lb Max Weight Capacity

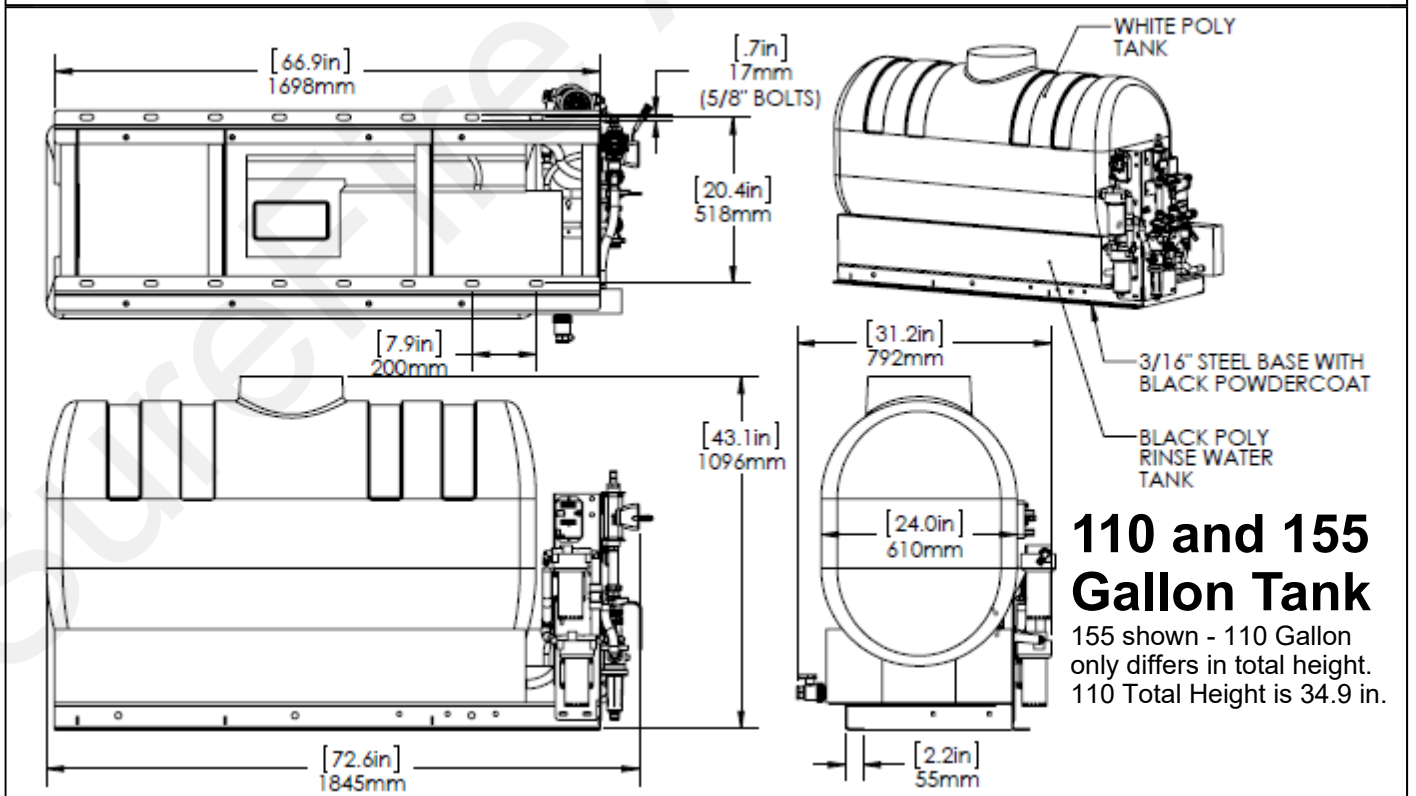
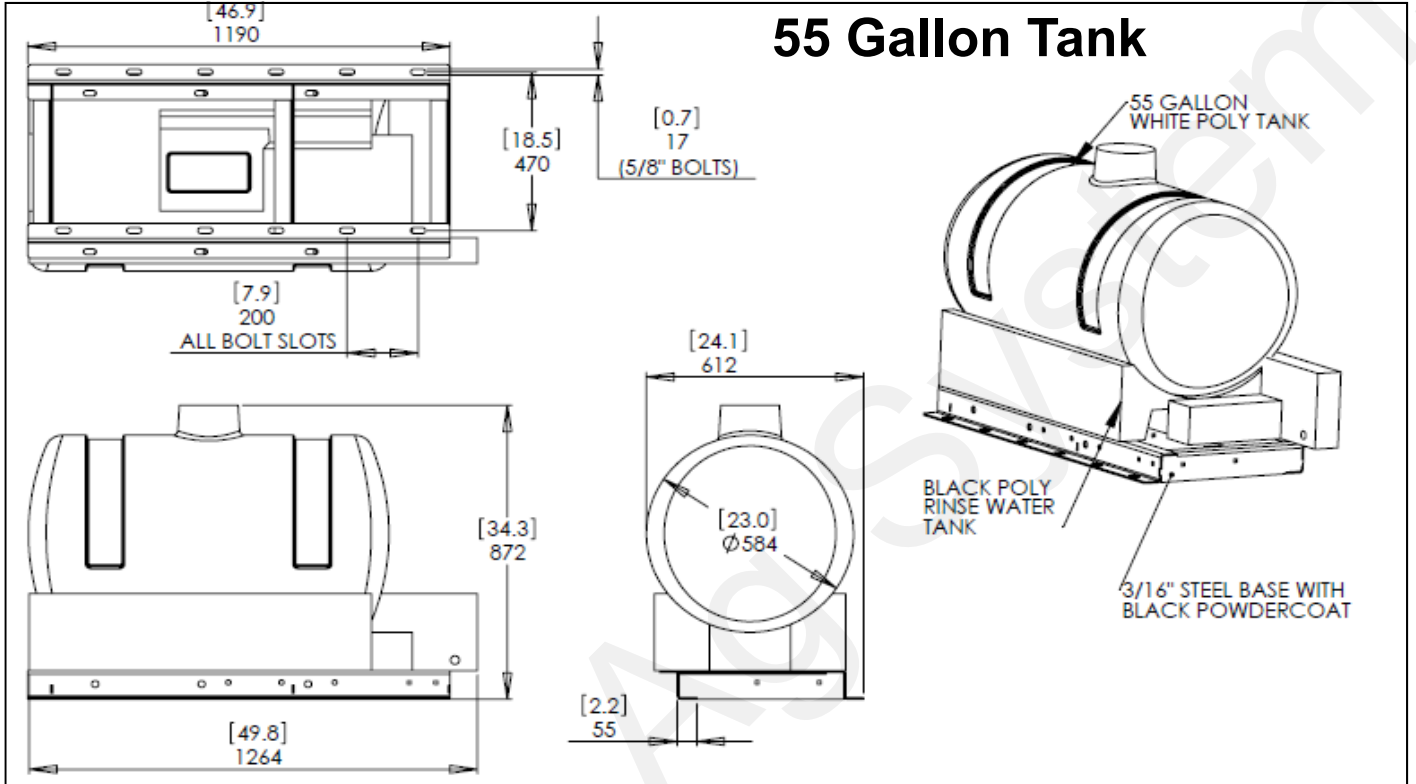


# THE ACCELERATOR

BY SUREFIRE AG SYSTEMS

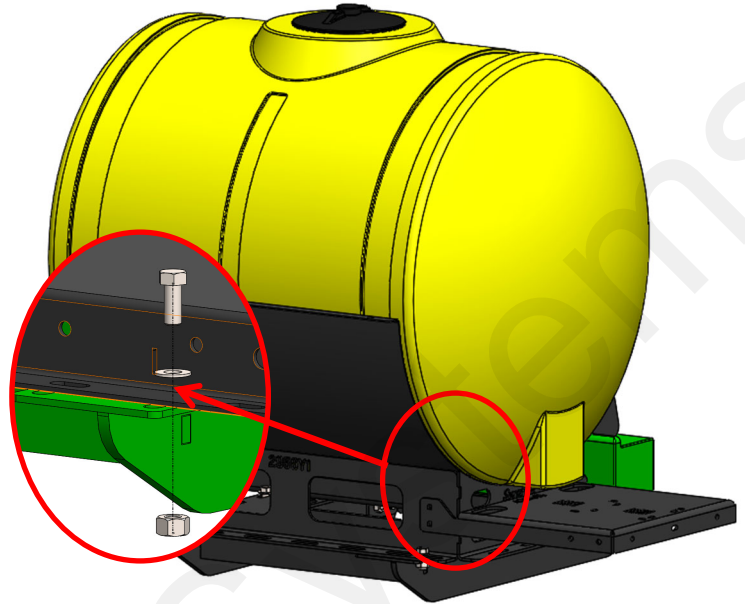
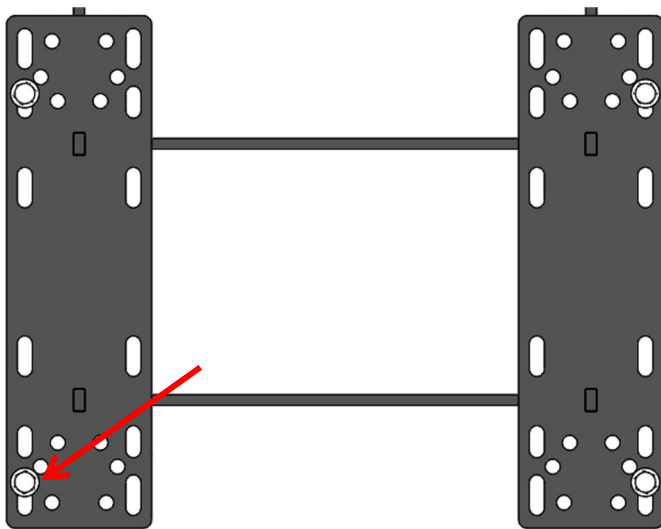
## General Dimensions SureFire Accelerator Tanks

### 55 Gallon Tank



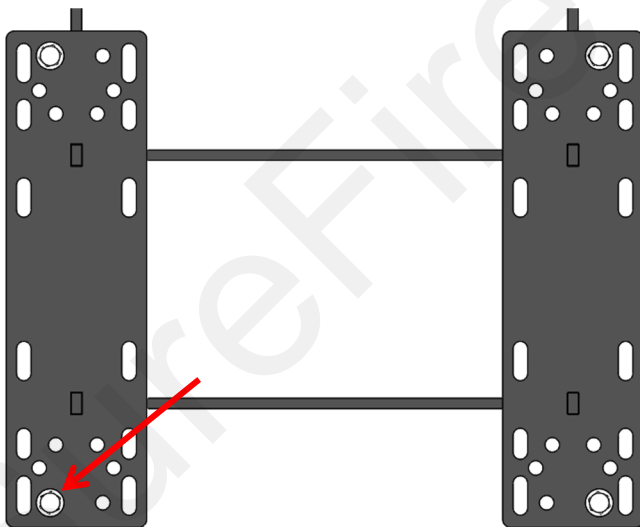


# SureFire Tank/Cradle Mounting Instructions

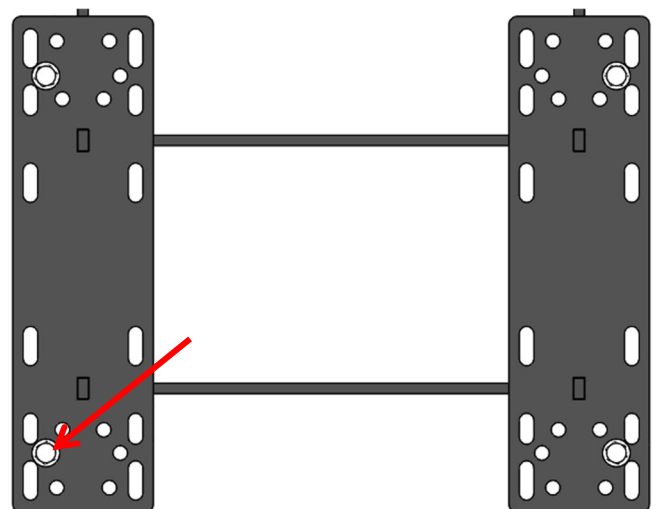


1. Mount the pre-assembled 150 or 200 Gallon Tank/Cradle to the Front Weight Bracket using the provided 5/8" hex head bolts, washers and flange nuts. See diagrams for intended hole mounting location.

**530-01-100100**  
Universal 150 Gal Tank Kit -  
32" dia Tank, Black Cradle, Straps  
**524-02-425110-Y**  
110 Gallon Yellow Tower 100  
Tank Assembly



**530-01-100200**  
Universal 200 Gal Tank Kit -  
38" dia Tank, Black Cradle, Straps

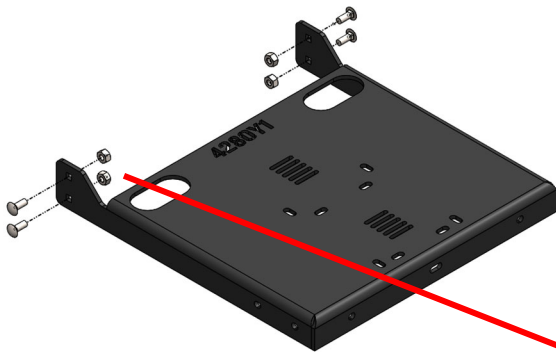


**524-02-425055-Y**  
55 Gallon Yellow Tower 100 Tank  
Assembly

## 2,200 Lb Max Weight Capacity



# SureFire Tank/Cradle Mounting Instructions

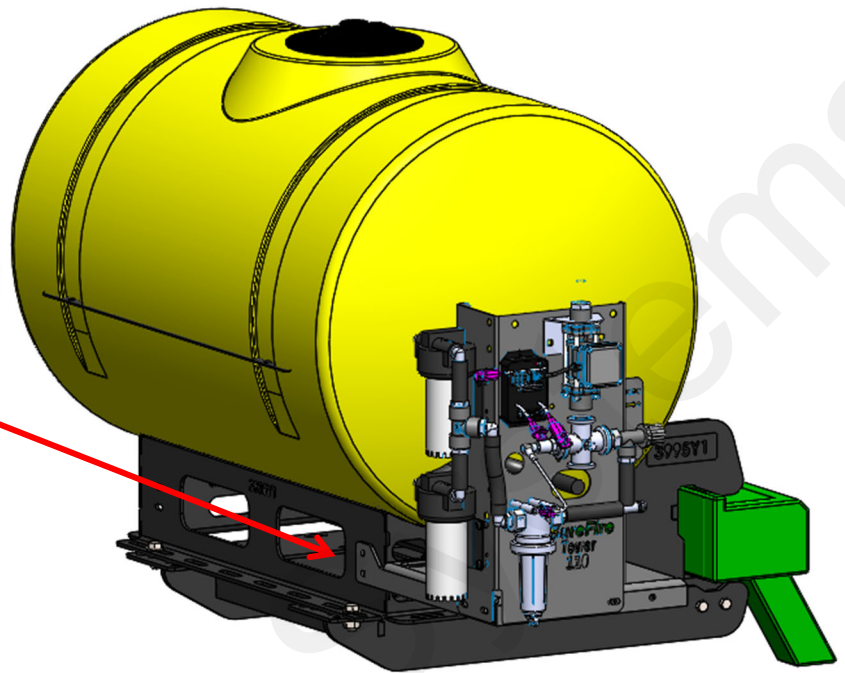


**526-01-200300**

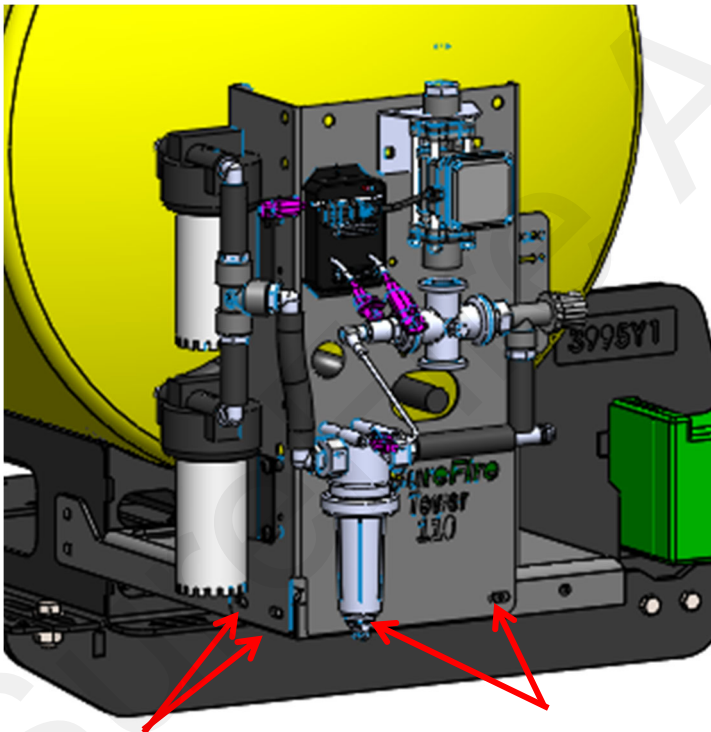
Tower to Cradle Mounting Bracket Kit -  
Black (for 55, 110 or 150 Gallon Cradle)

**526-01-200350**

Tower to Cradle Mounting Bracket Kit -  
Black (for 200 Gallon Cradle)



2. Mount the tower mounting bracket to the cradle using (4) provided 3/8" carriage bolts and flange nuts.



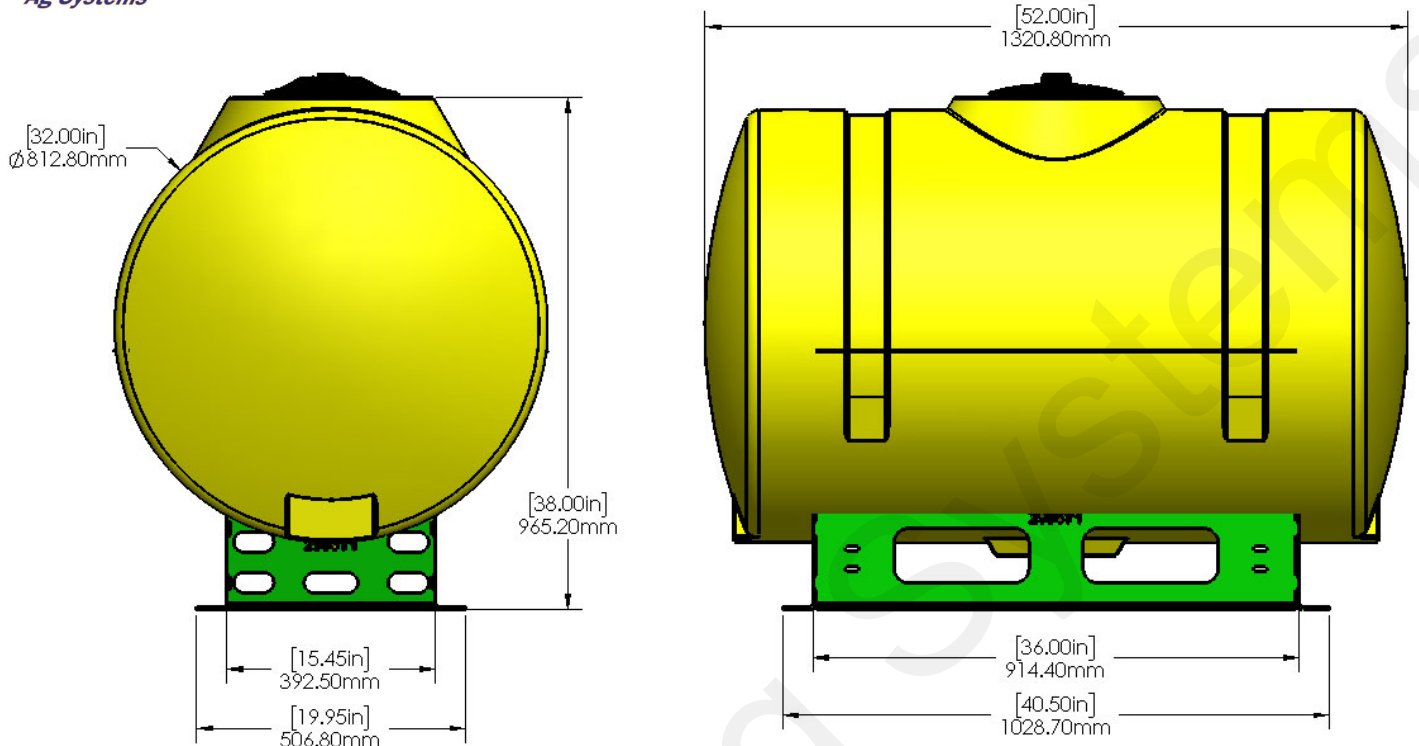
3. Mount the tower to the mounting bracket using (4) provided 3/8" carriage bolts and flange nuts.

## 2,200 Lb Max Weight Capacity

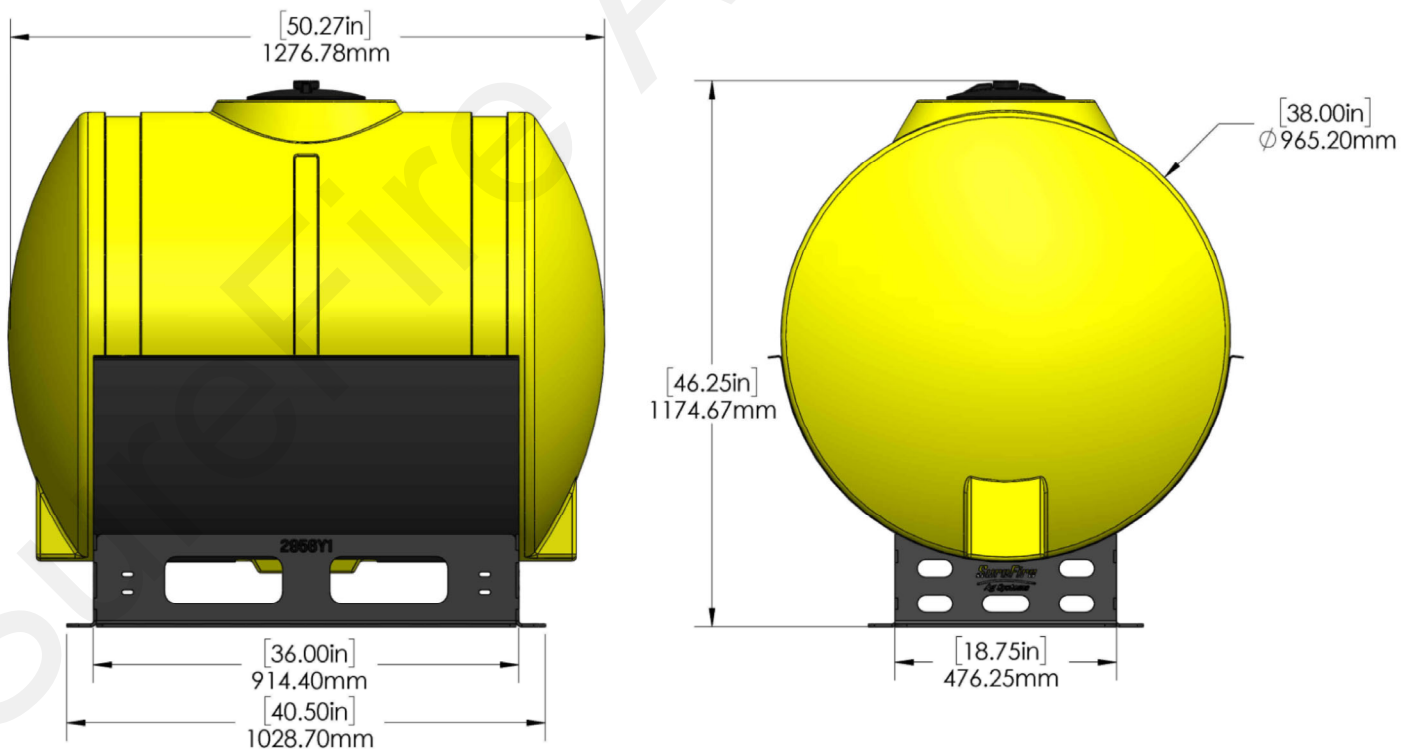




# General Dimensions SureFire Cradle Tanks



**530-01-100100—Universal 150 Gal Tank Kit - 32"Ø**



**530-01-100200—Universal 200 Gal Tank Kit - 38"Ø**