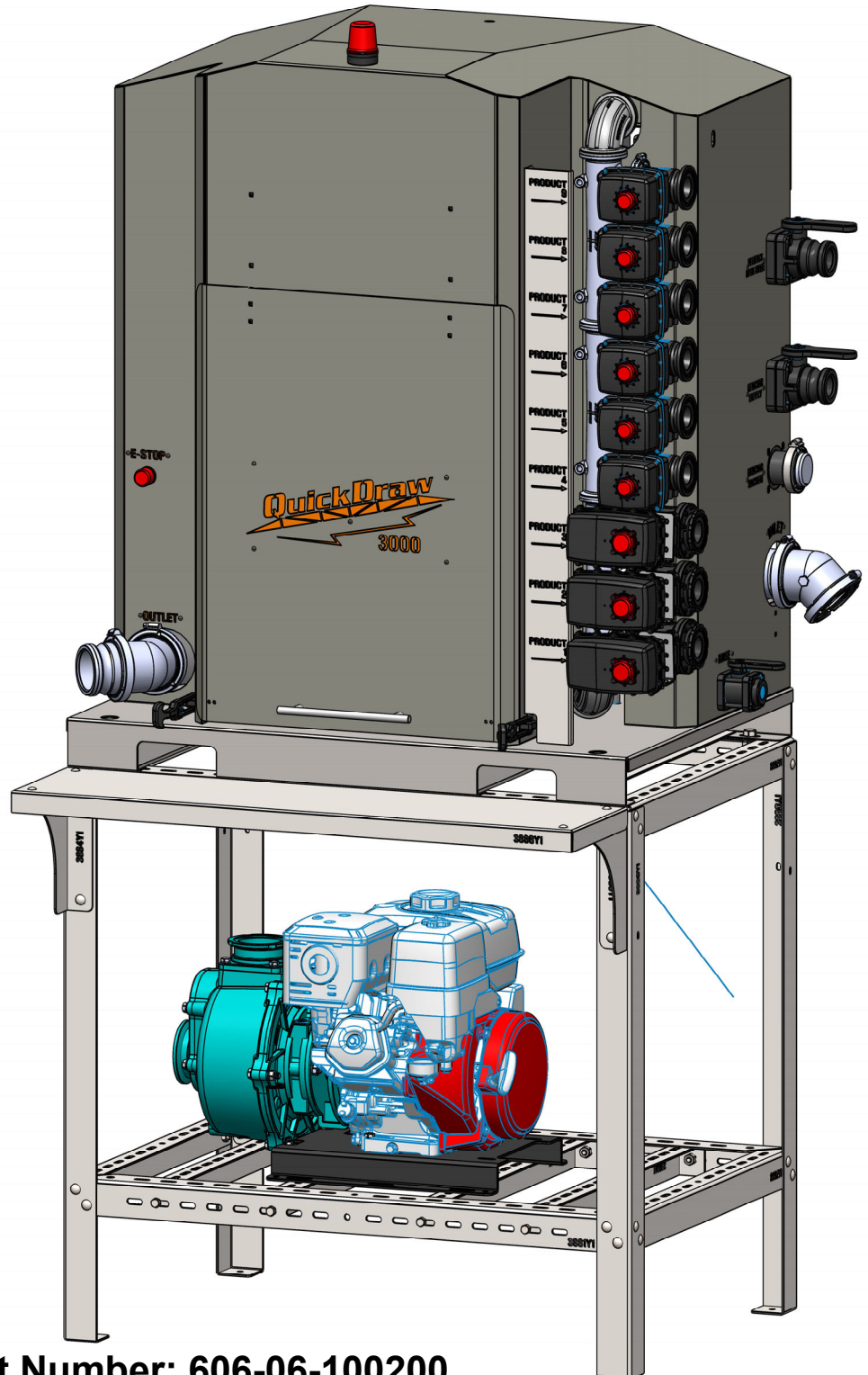




396-3906Y1

QuickDraw Plant Mounting Kit Installation Instructions

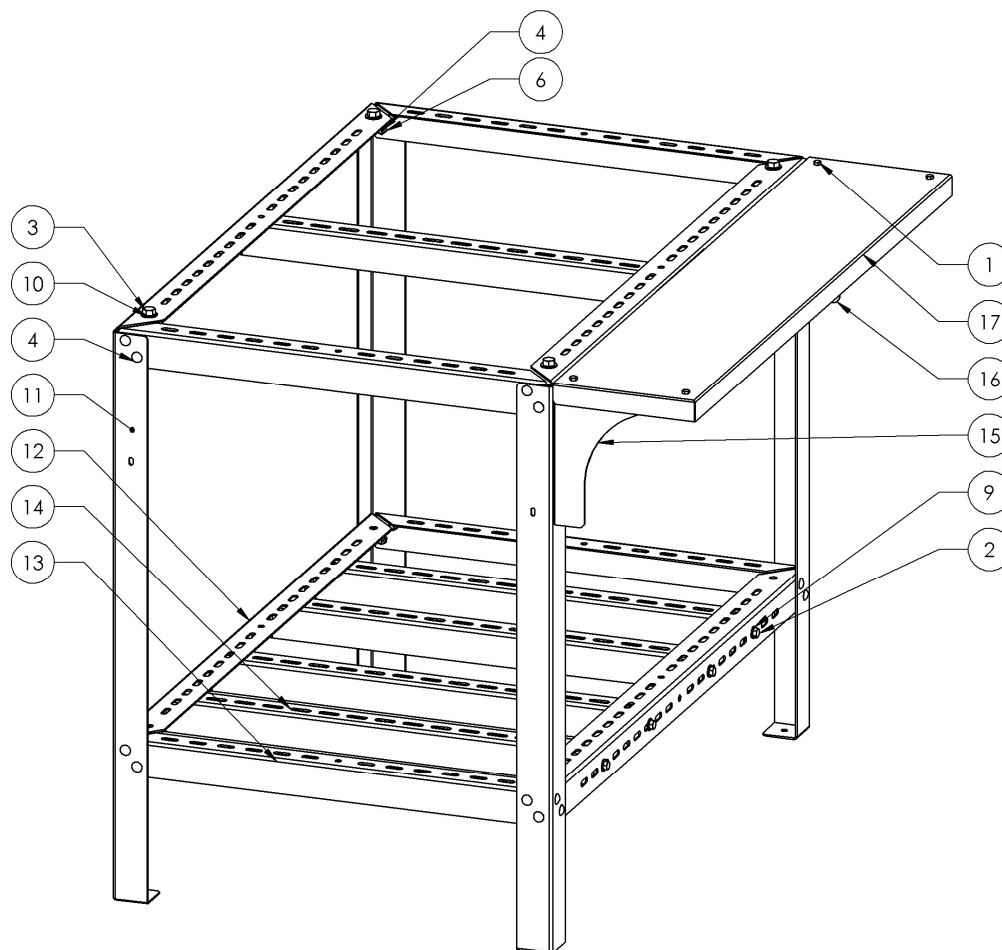


Kit Number: 606-06-100200



606-06-100200 Replacement Parts List

ITEM NO.	PART NUMBER	DESCRIPTION	QTY.
1	300-040012-SS	1/4" x 3/4" Hex Head Bolt - SS	4
2	300-060012-SS	3/8" x 3/4" Hex Head Bolt - SS	10
3	300-080100-SS	1/2" x 1" Hex Head Bolt - SS	4
4	304-050012-SS	Carriage Bolt - 5/16" x 3/4" - SS	34
5	323-04-SS	1/4" Flange Nut - SS	4
6	323-05-SS	5/16" Flange Nut - SS	34
7	323-06-SS	3/8" Flange Nut - SS	10
8	323-08-SS	1/2" Flange Nut - SS	4
9	330-06-SS	3/8" Flat Washer - SS	10
10	330-08-SS	1/2" Flat Washer - SS	4
11	475-3880Y1	QuickDraw Plant Stand - Leg	4
12	475-3881Y1	QuickDraw Plant Stand - Front/Back	4
13	475-3882Y1	QuickDraw Plant Stand - Side	4
14	475-3883Y1	QuickDraw Plant Stand - Bottom Shelf Support	5
15	475-3884Y1	QuickDraw Plant Stand - Left Shelf Support	1
16	475-3885Y1	QuickDraw Plant Stand - Right Shelf Support	1
17	475-3886Y1	QuickDraw Plant Stand - Front Shelf	1





Assembly Instructions

1. Assemble table legs and side supports using two (2) 5/16" carriage bolts and flange nuts in each place as shown.
2. If desired, mount the right and left shelf brackets using 5/16" carriage bolts and flange nuts. Finally, mount the front work surface shelf) using four (4) 1/4" x 3/4" Carriage bolts and flange nuts.
3. Five support braces are included. One is for the top center, and the other four can be mounted to accommodate several pump options or a bottom shelf. Attach to side rails using 3/8" x 3/4" Hex Head Bolt, washer and flange nut.

Note: It is recommended to anchor the QuickDraw stand to the floor using concrete anchors.

