



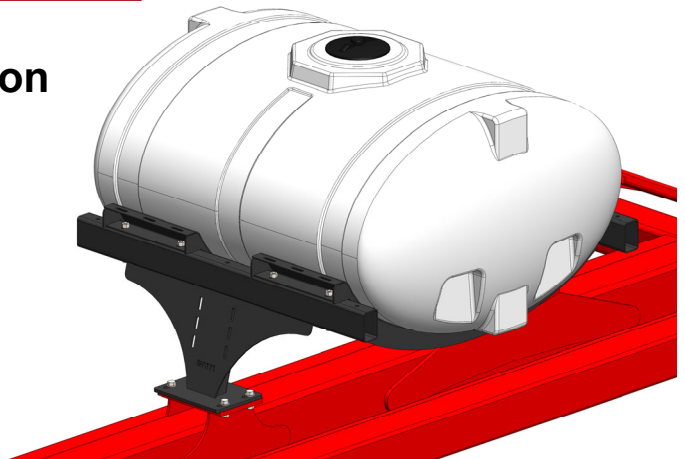
# 396-3848Y1

## Case 2150 Tank Mounting Instructions

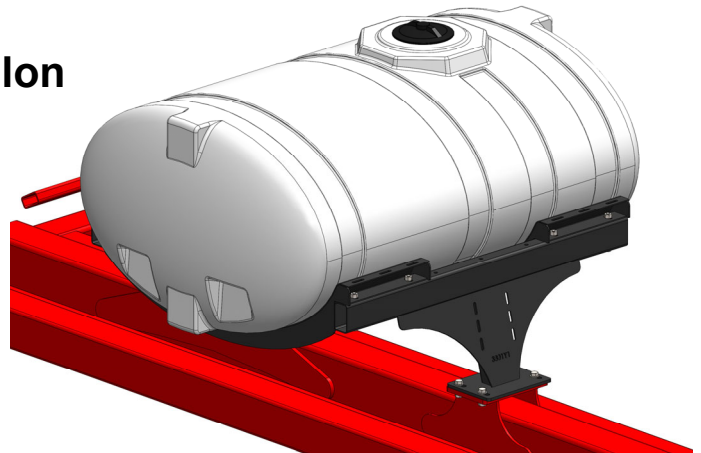
Planter Manufacturer:



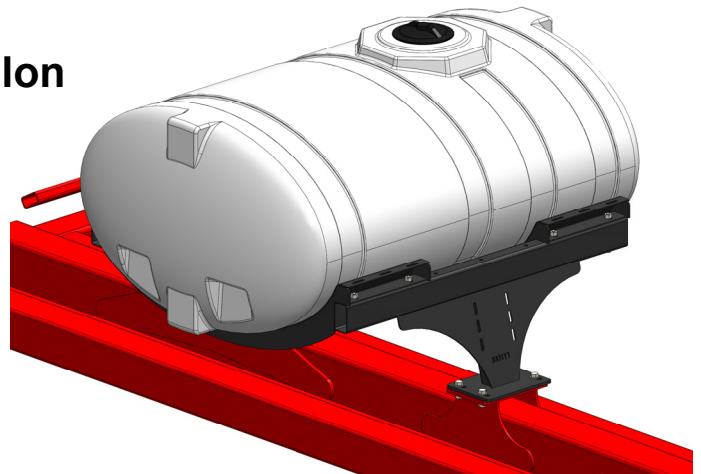
**Kit Number:** 530-02-400400  
**Description:** Case IH 2150 - 400 Gallon Elliptical Tank Kit



**Kit Number:** 530-02-400500  
**Description:** Case IH 2150 - 500 Gallon Elliptical Tank Kit



**Kit Number:** 530-02-400600  
**Description:** Case IH 2150 - 600 Gallon Elliptical Tank Kit





## 530-02-400400 400 Gallon Tank Kit—Parts List

ITEM NO.	PART NUMBER	DESCRIPTION	QTY.
1	300-080108-5	1/2" x 1-1/2" Hex Head Bolt - G5	4
2	323-08	1/2" Flange Nut	4
3	330-08	1/2" Flat Washer	4
4	300-100600-5	5/8" x 6" Hex Head Bolt - G5	8
5	323-10	5/8" Flange Nut	8
6	300-120300-5	3/4" x 3" Hex Head Bolt - G5	4
7	321-12	3/4" Nylock Nut	4
8	330-12	3/4" Flat Washer	4
9	420-3797Y1-BK	Case 2150 CCS Support - Tank Mount	1
10	420-3801Y1-BK	Case 2150 Front Tank Mount Pedestal	1
11	420-3806Y1-BK	Case 2150 Saddle - Rolled Tank Saddle	2
12	525-3000	3" Tank Strap Kit for 400-1000 Gallon	2
13	727-01-HE0400-57-W	Elliptical Tank - 400 Gal - White	1

## 530-02-400500 500 Gallon Tank Kit—Parts List

ITEM NO.	PART NUMBER	DESCRIPTION	QTY.
1	300-080108-5	1/2" x 1-1/2" Hex Head Bolt - G5	4
2	323-08	1/2" Flange Nut	4
3	330-08	1/2" Flat Washer	4
4	300-100600-5	5/8" x 6" Hex Head Bolt - G5	8
5	323-10	5/8" Flange Nut	8
6	300-120300-5	3/4" x 3" Hex Head Bolt - G5	4
7	330-12	3/4" Flat Washer	4
8	321-12	3/4" Nylock Nut	4
9	420-3797Y1-BK	Case 2150 CCS Support - Tank Mount	1
10	420-3801Y1-BK	Case 2150 Front Tank Mount Pedestal	1
11	420-3806Y1-BK	Case 2150 Saddle - Rolled Tank Saddle	2
12	525-3000	3" Tank Strap Kit for 400-1000 Gallon	2
13	727-01-HE00500CWSS	Elliptical Tank - 500 Gal - White	1

## 530-02-400600 600 Gallon Tank Kit—Parts List

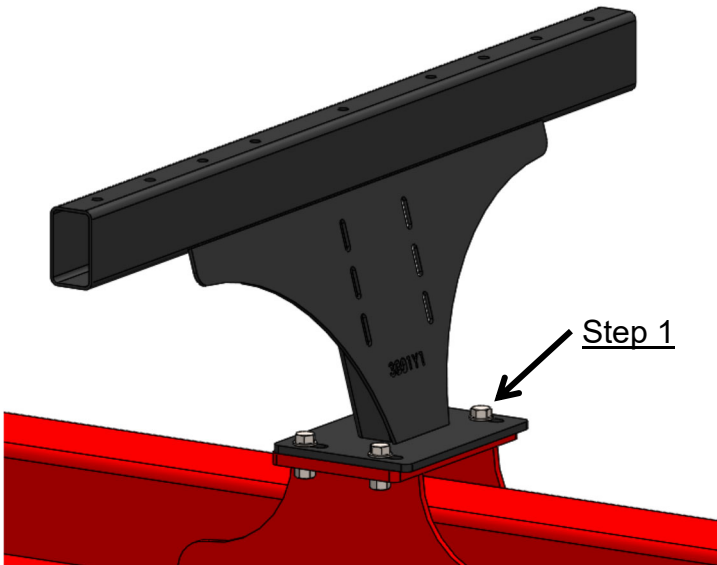
ITEM NO.	PART NUMBER	DESCRIPTION	QTY.
1	300-080108-5	1/2" x 1-1/2" Hex Head Bolt - G5	4
2	323-08	1/2" Flange Nut	4
3	330-08	1/2" Flat Washer	4
4	300-100600-5	5/8" x 6" Hex Head Bolt - G5	8
5	323-10	5/8" Flange Nut	8
6	300-120300-5	3/4" x 3" Hex Head Bolt - G5	4
7	330-12	3/4" Flat Washer	4
8	321-12	3/4" Nylock Nut	4
9	420-3797Y1-BK	Case 2150 CCS Support - Tank Mount	1
10	420-3801Y1-BK	Case 2150 Front Tank Mount Pedestal	1
11	420-3878Y1-BK	Case 2150 Saddle - 600 Gallon	2
12	525-750	3" 750 Gallon Tank Strap Kit	3
13	727-01-HE00600CWSS	Elliptical Tank - 600 Gal - White	1



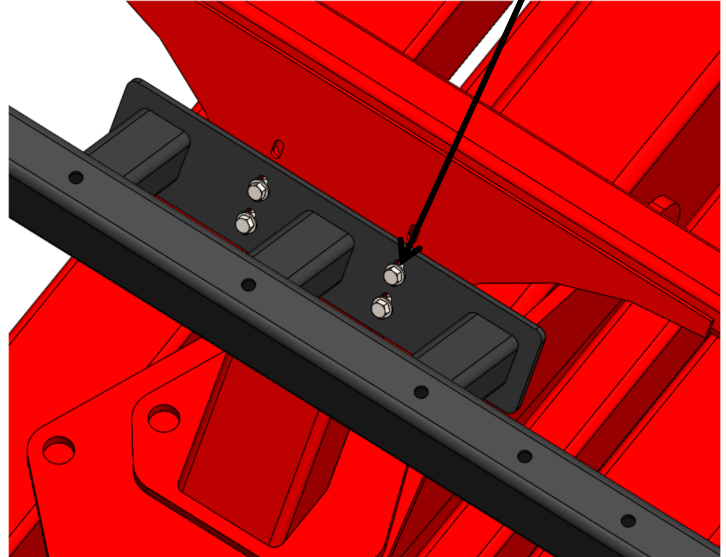
# Step by Step Instructions

Installation instructions for 12, 16 or 24 Row planters are the same.

1. Loosely mount the 420-3801Y1—Front Tank Mount Pedestal to the bolt plate on the hitch using four (4) 3/4" x 3" hex head bolts, washers, and nylock nuts.



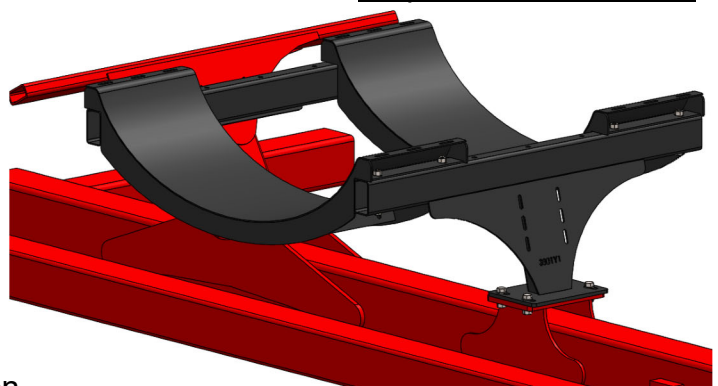
Step 2



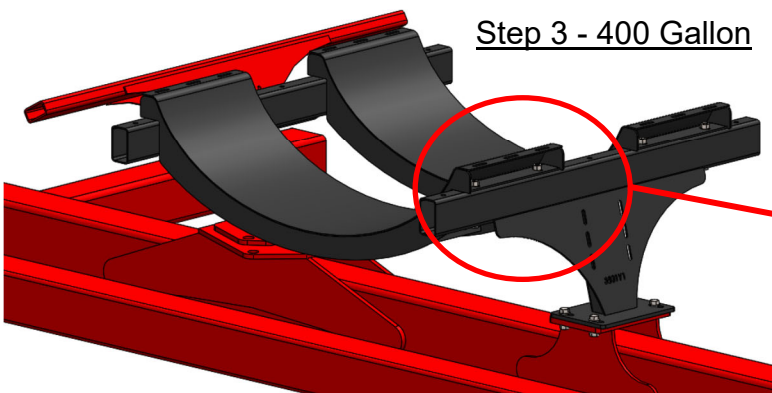
2. Loosely mount the 420-3797Y1 Rear CCS support tank mount to the bolt plate on the rear CCS support using four (4) 1/2" x 1-1/2" hex head bolts, washers and flange nuts.

3. Position two (2) 420-3806Y1—Tank Saddles between the two 3x5 support bars. Use the outer bolt holes for a 500/600 gallon tank or the inner holes for a 400 gallon tank.
4. Attach saddles to tank using four (4) 5/8" x 6" bolts and flange nuts for each saddle, or a total of eight (8). Tighten these bolts before tightening the mounting bracket bolts (see next page).

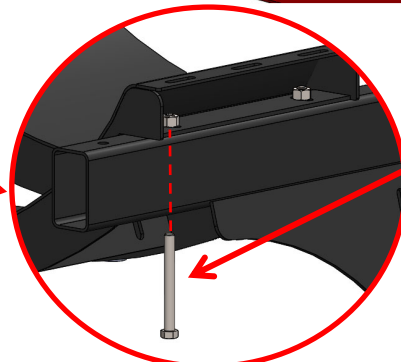
Step 3 - 500/600 Gallon



Step 3 - 400 Gallon



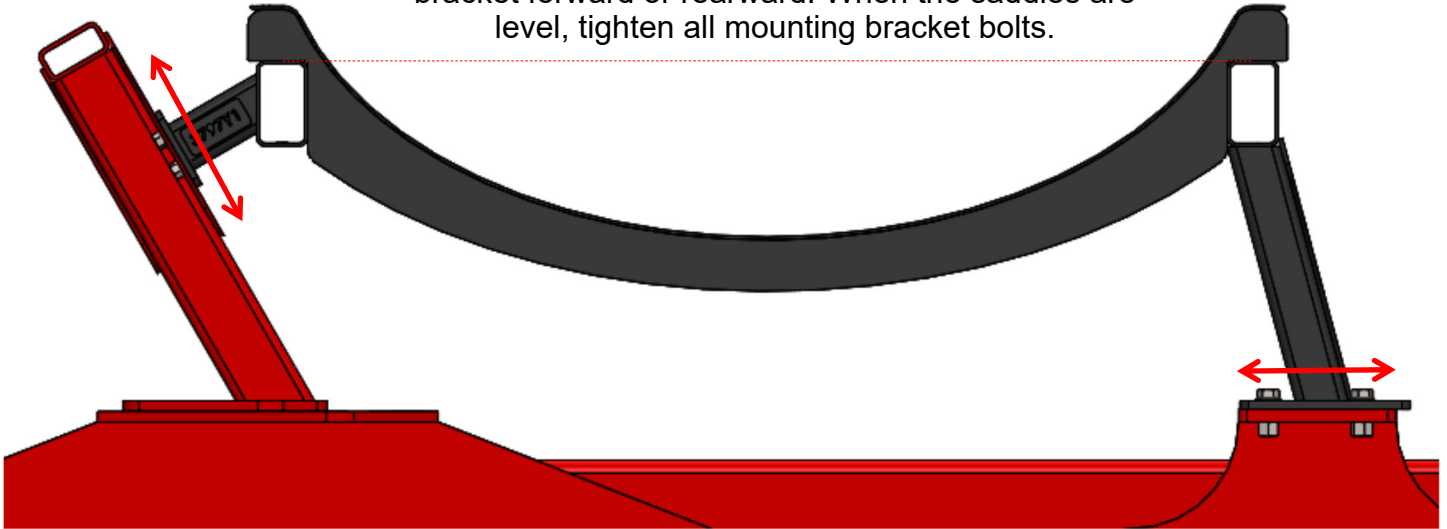
Step 4



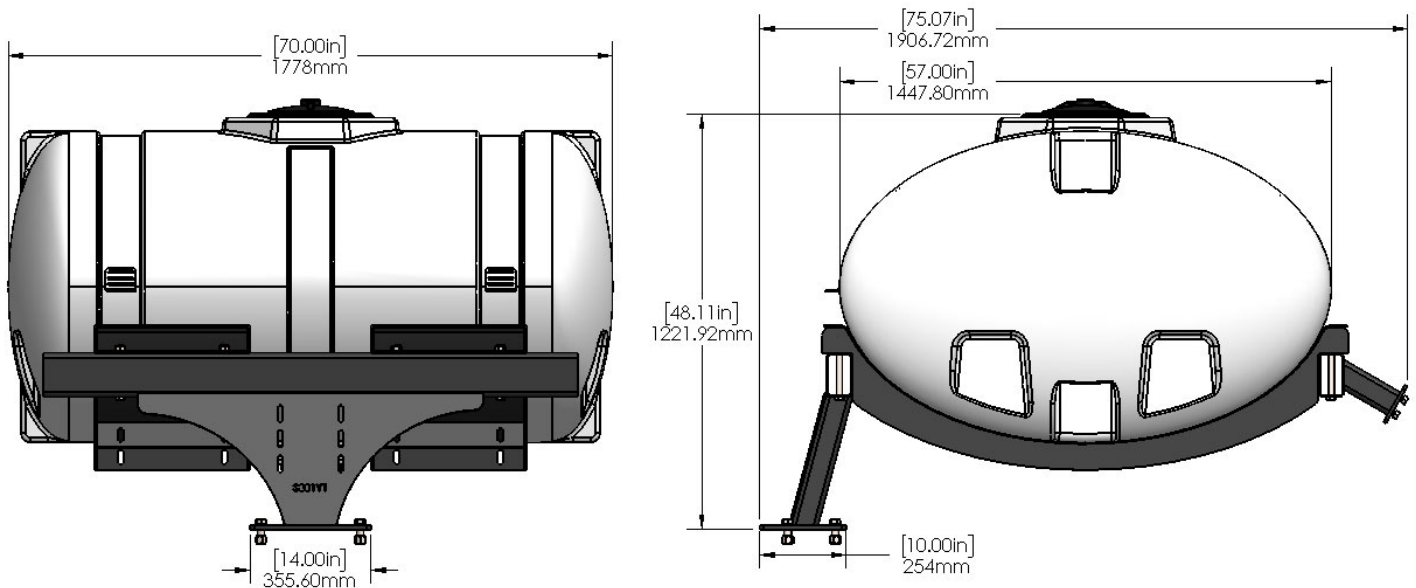


# Step by Step Instructions

5. Make sure the 3x5 bar in the front and back are level with the planter. This can be done by moving the rear mounting bracket up or down and the front mounting bracket forward or rearward. When the saddles are level, tighten all mounting bracket bolts.



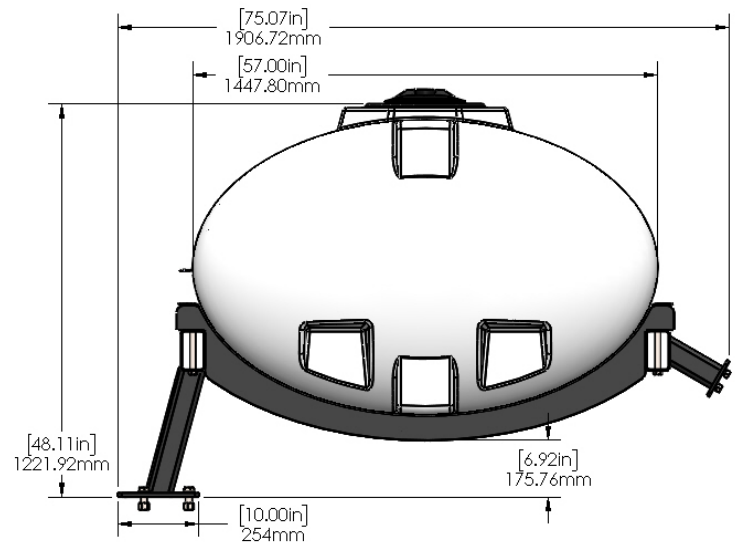
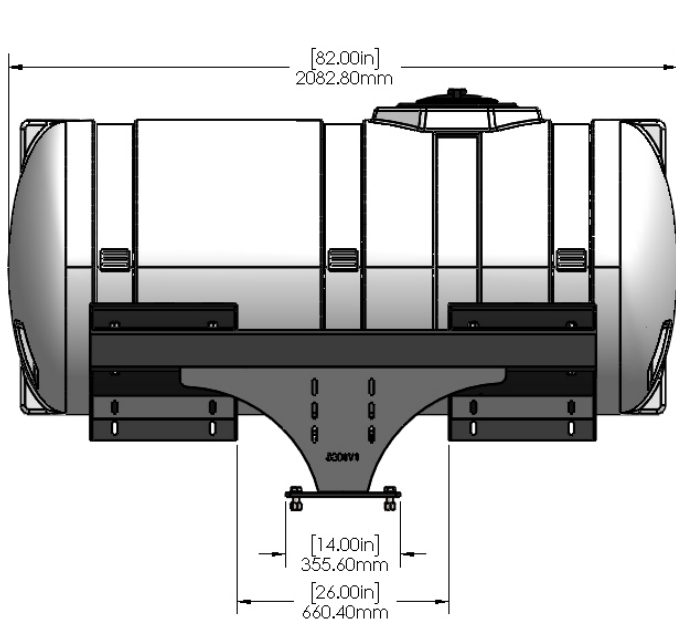
6. Finally, install the tank in the saddles and fasten the tank strap mounting brackets, and tank straps. Check for clearance when folding markers (if applicable) and when the planter is lowered. Note: Tighten straps again once the tank has been filled.



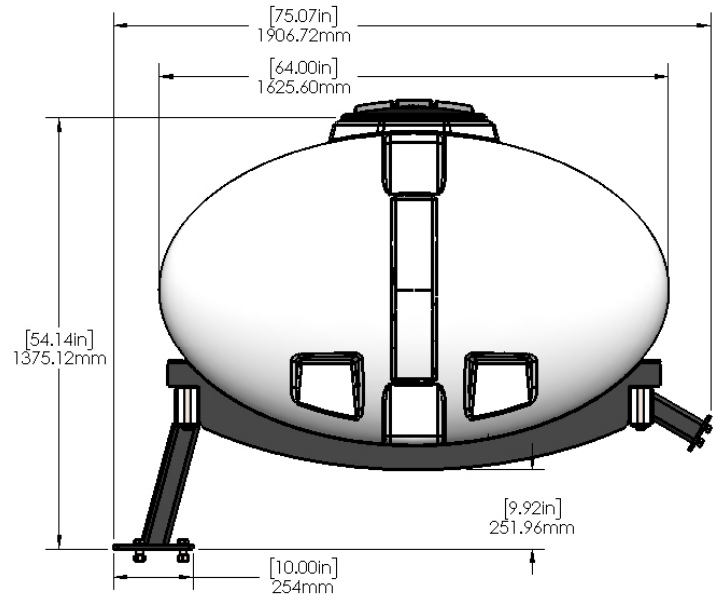
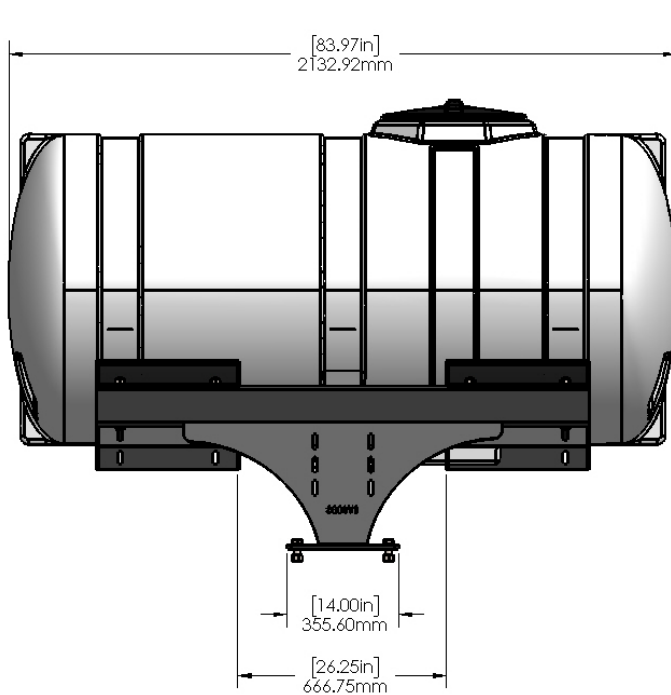
## 530-02-400400 400 Gallon Elliptical Tank Kit



# Installation Dimensions



## 530-02-400500 500 Gallon Elliptical Tank Kit



## 530-02-400600 600 Gallon Elliptical Tank Kit

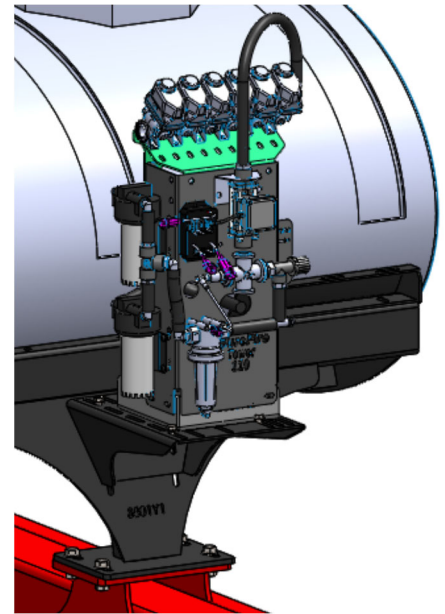
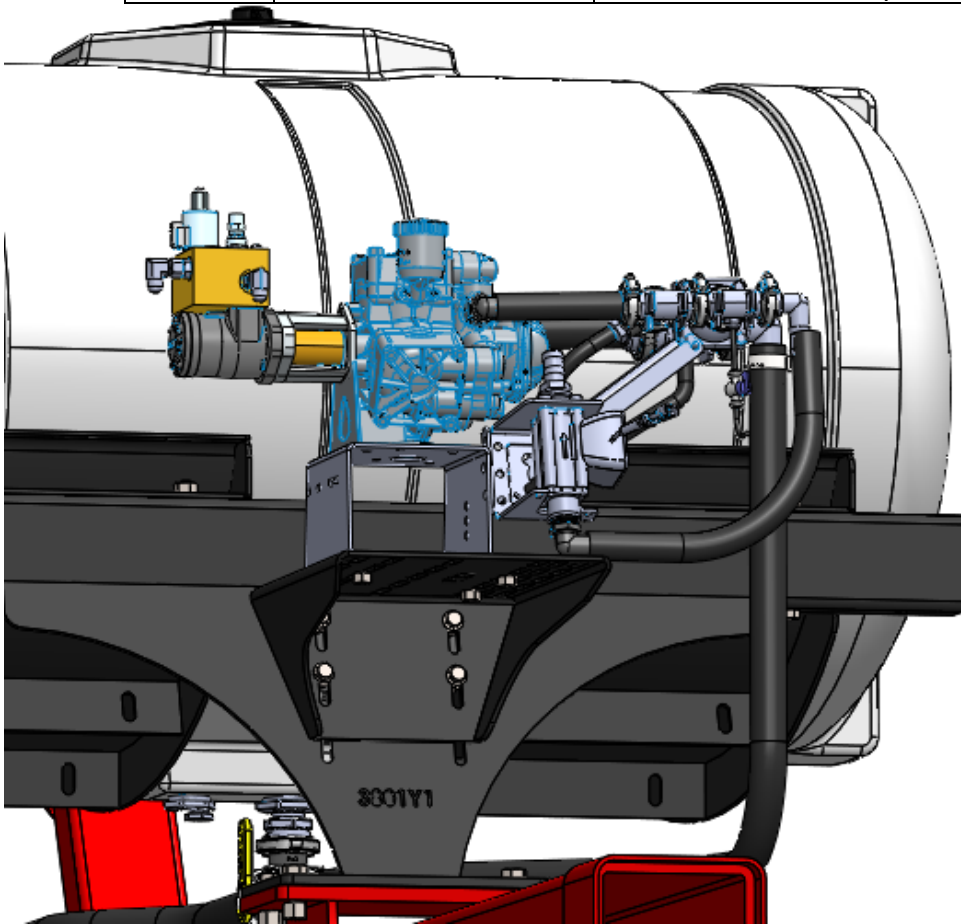




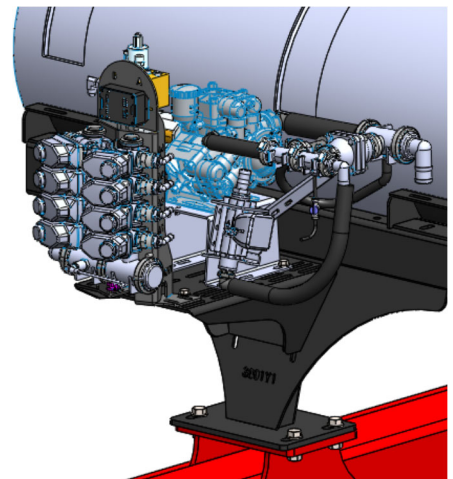
# Suggested Items

**Kit Description: Case 2150 Pump Mount (Front of Tank)**  
**Kit Number: 515-201250**

ITEM NO.	PART NUMBER	DESCRIPTION	QTY.
1	300-080108-5	1/2" x 1-1/2" Hex Head Bolt - G5	8
2	323-08	1/2" Flange Nut	8
3	330-08	1/2" Flat Washer	8
4	420-3807Y1-BK	Case 2150 Front Pump Mount	1



*Shown with SureFire Tower System*



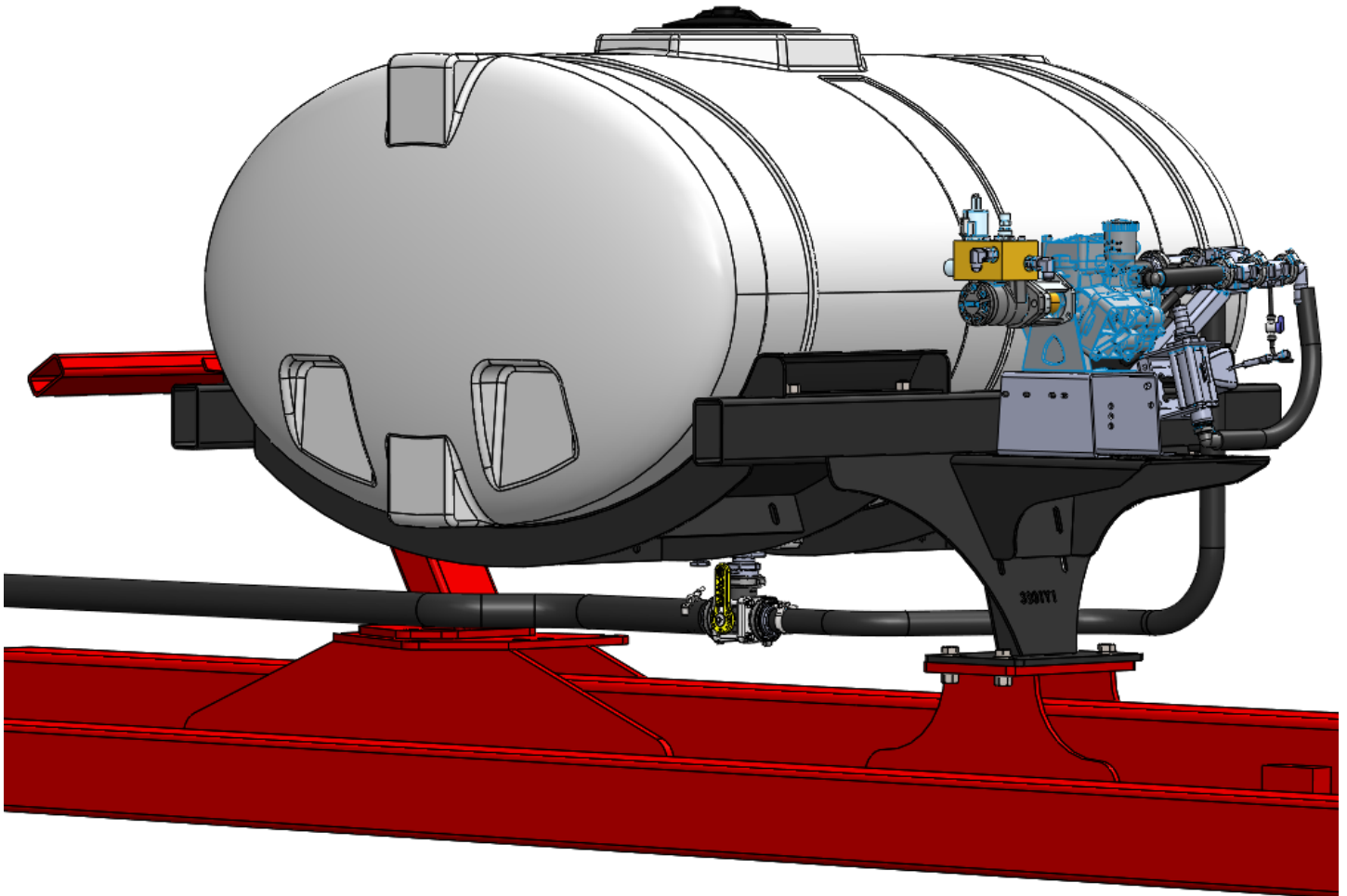
*Shown with SureFire LiquiShift™ System*

1. Mount 420-3807Y1-BK pump mounting bracket to the Case 2150 Front pedestal (420-3801Y1-BK) using four (4) 1/2"x 1-1/2" hex head bolts, washers and flange nuts.
2. Mount Tower/PumpRight using four (4) 1/2"x 1-1/2" hex head bolts, washers and flange nuts.



# Suggested Items

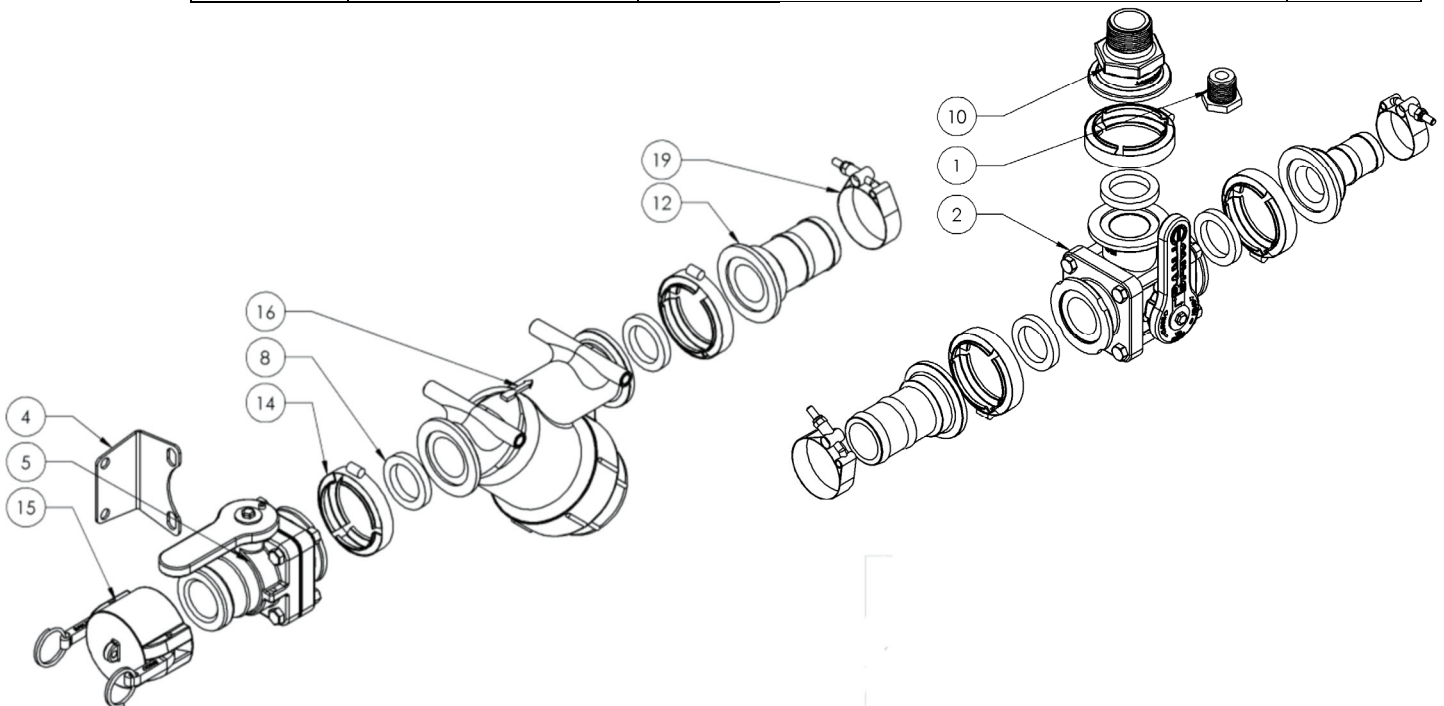
**Kit Description: Case 2150 Fill/Discharge Tank Plumbing Kit**  
**Kit Number: 520-00-200100**





# Parts List and Exploded View

ITEM NO.	PART NUMBER	DESCRIPTION	QTY.
1	100-075PLUG	3/4" Pipe Plug	1
2	102-200MV-3SL	2" Manifold 3-Way Valve - Side Load	1
3	102-200VBR	2" Mounting Bracket - Straight	1
4	102-200VBR-90	2" Mounting Bracket - 90 Degree	1
5	102-200VSFCF	200 Series Manifold x 2" Male Quick Coupler Standard Port Poly Valve	1
6	105-100075BRB	1" Manifold x 3/4" HB	1
7	105-100G-H	1" EPDM Manifold Gasket	1
8	105-150G-H	1-1/2" EPDM Manifold Gasket for 200 Series Manifold Fittings	5
9	105-200100CPG	2" Manifold x 1" Manifold - Reducer Coupling	1
10	105-200125MPT	2" Manifold x 1-1/4" MPT	1
11	105-200150BRB	2" Manifold x 1-1/2" HB	1
12	105-200BRB	2" Manifold x 2" HB	2
13	105-FC100	1" Manifold Clamp	1
14	105-FC200	2" Manifold Clamp	5
15	106-200CAP	2" Cap	1
16	109-200MLS-50M	2" Manifold Y Strainer - 50 Mesh w/ 5/16" bolt holes for mounting	1
17	350-1208	SS Hose Clamp - Size 12 - 1-1/4" Diameter (fits 3/4" AG200)	2
18	350-TC181	Pressure Seal HD Clamp, Size 238 (fits 1 1/2" Enforcer)	2
19	350-TC231	Pressure Seal HD Clamp, Size 288 (fits 2" Enforcer)	2
20	384-1095	Hardware Kit - 3/8" Hex Cap Bolts and 3/8" Flange Nuts (Qty: 4)	1
21	384-1004	Hardware Kit - Qty 6 Size 12 x 1-1/4" Self Drilling Screws with Qty 4 5/16" Fender Washers	1
22	280-200-ENF	2" Enforcer Fertilizer Solution Hose	1



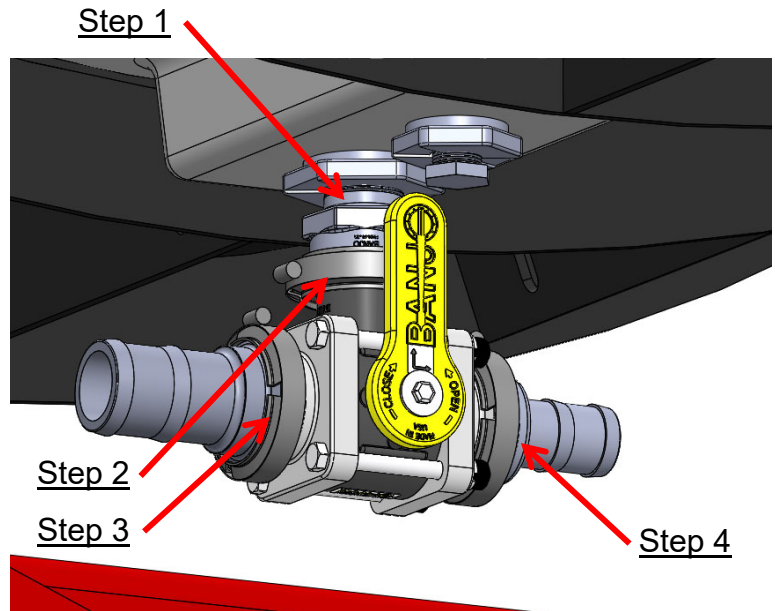




# Step by Step Instructions

## Fill/Discharge 3-Way Valve Assembly

1. Thread 2" Manifold x 1-1/4" MPT (Item 10) into 1-1/4" tank bung.
2. Connect 2" Manifold 3-Way Valve (Item 2) using EPDM gasket (Item 8) and manifold clamp (Item 14).
3. Attach 2" Manifold x 2" HB (Item 12) to valve using EPDM gasket and manifold clamp. *Note: The hose barb should be facing the rear of the planter.*
4. For PumpRight, use 2" Manifold x 1-1/2" HB (Item 11) and connect to valve using EPDM gasket and manifold clamp. For Tower, use 2" Manifold x 1" Manifold reducer coupling (Item 9) and 1" Manifold x 3/4" HB fitting (Item 6). Attach appropriate size hose using provided hose clamps (Item 17/18) and route to pump inlet.



## Fill Kit Strainer Assembly

1. Remove nuts on 2" Quick Coupler Valve (Item 5) as required to fasten mounting brackets (Item 3 or Item 4) to valve and replace nuts, tighten. *(Straight and 90° bracket are provided for mounting location flexibility)*
2. Using the appropriate hardware kits (Item 20/21) fasten poly valve and mounting brackets to the planter, likely on the rear hitch or platform stairs.
3. Assemble the rest of the fill kit strainer assembly as shown.
4. Route 2" hose (Item 22) from strainer assembly 2" hose barb to tank opening 2" hose barb (Item 12) and tighten using two hose clamps (Item 19). Make sure to check hose routing for pinch points.

