

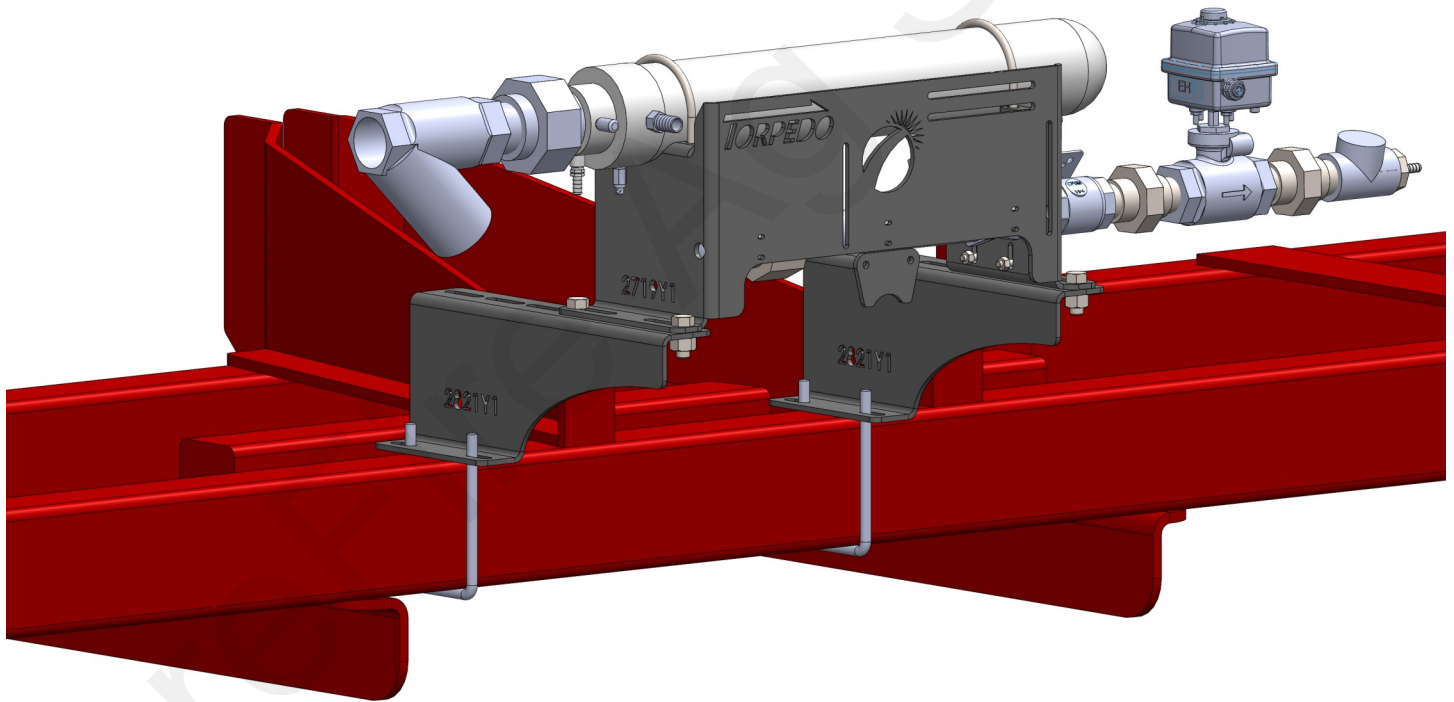


# 396-3659Y1

## Case iH 5310 8R30 Torpedo Mounting Instructions

Applicator Manufacturer: **CASE IH**  
AGRICULTURE

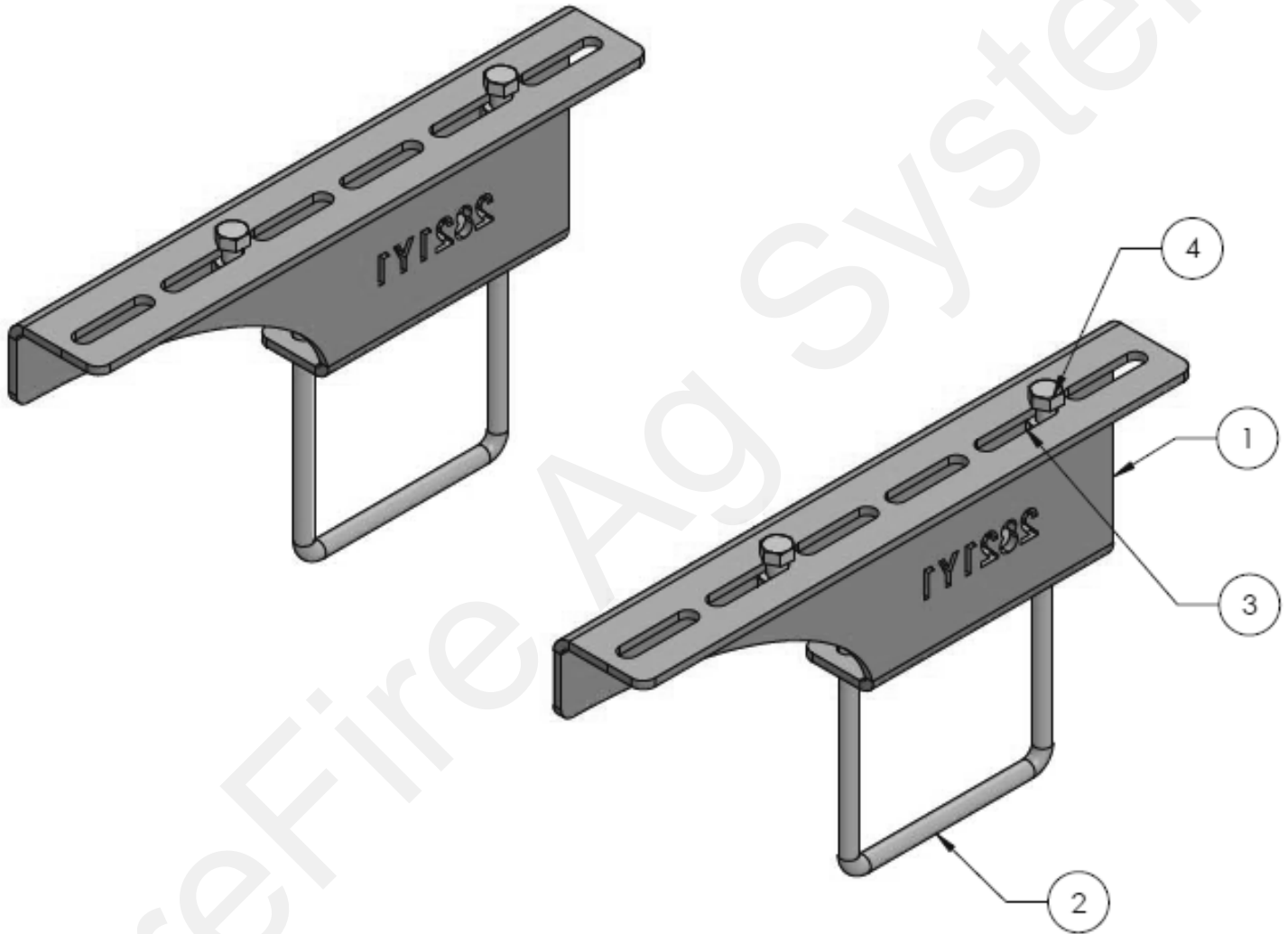
Kit Number: 516-02-050400





# Parts List and Exploded View

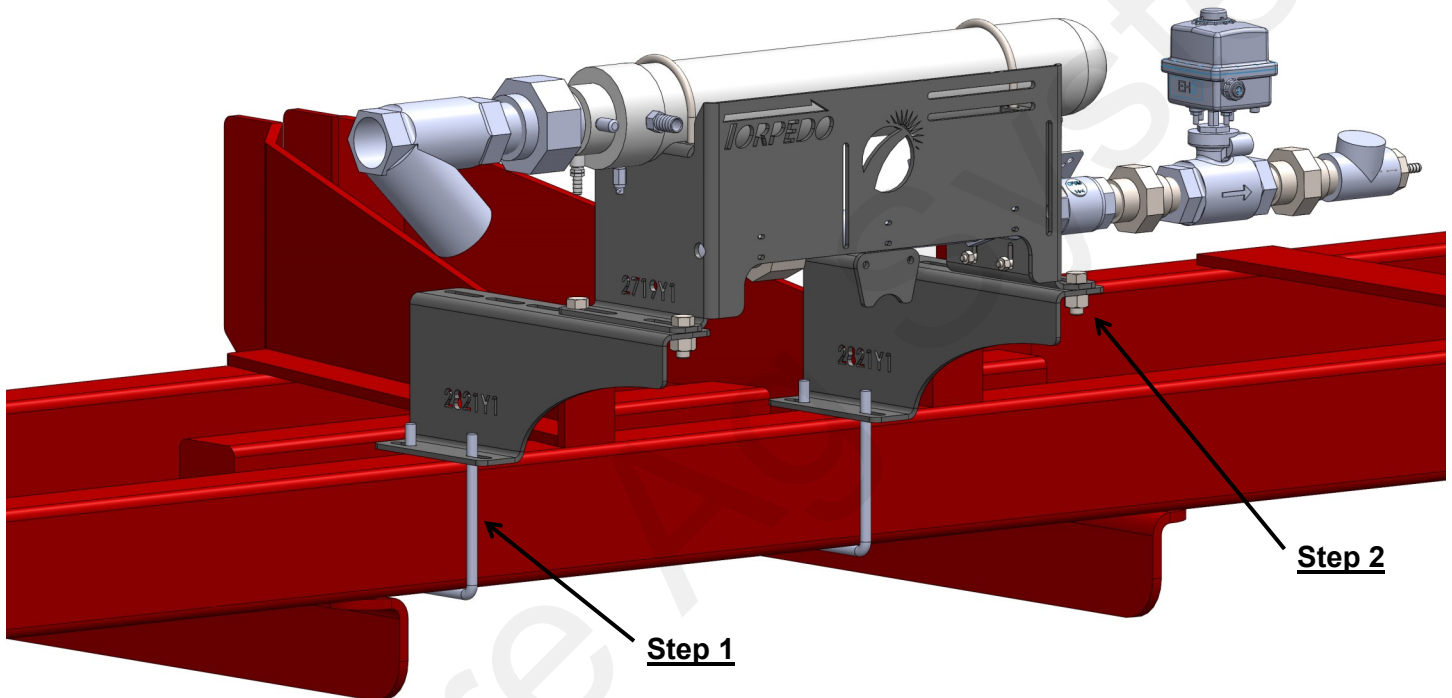
ITEM NO.	PART NUMBER	DESCRIPTION	QTY.
1	462-2821Y1	Offset Torpedo Mounting Bracket - Black	2
2	380-1015	1/2" x 4" x 7.5" Square Bend U-Bolt	2
3	323-08	1/2" Flange Nut	4
4	300-080104-5	1/2" x 1-1/4" Hex Head Bolt	4





# Step by Step Instructions

1. Mount the Offset Torpedo Mounting Brackets (462-2821Y1) to the the rear bar using the 1/2"x4"x7-1/2" Square Bent U-bolt kit provided (380-1015).
2. Mount the Torpedo (100 or 200) to the mounting brackets using four (4) 1/2"x1-1/4" hex head bolts and flange nuts.
3. Inspect bracket and Torpedo mounting for interference and tighten all bolts.



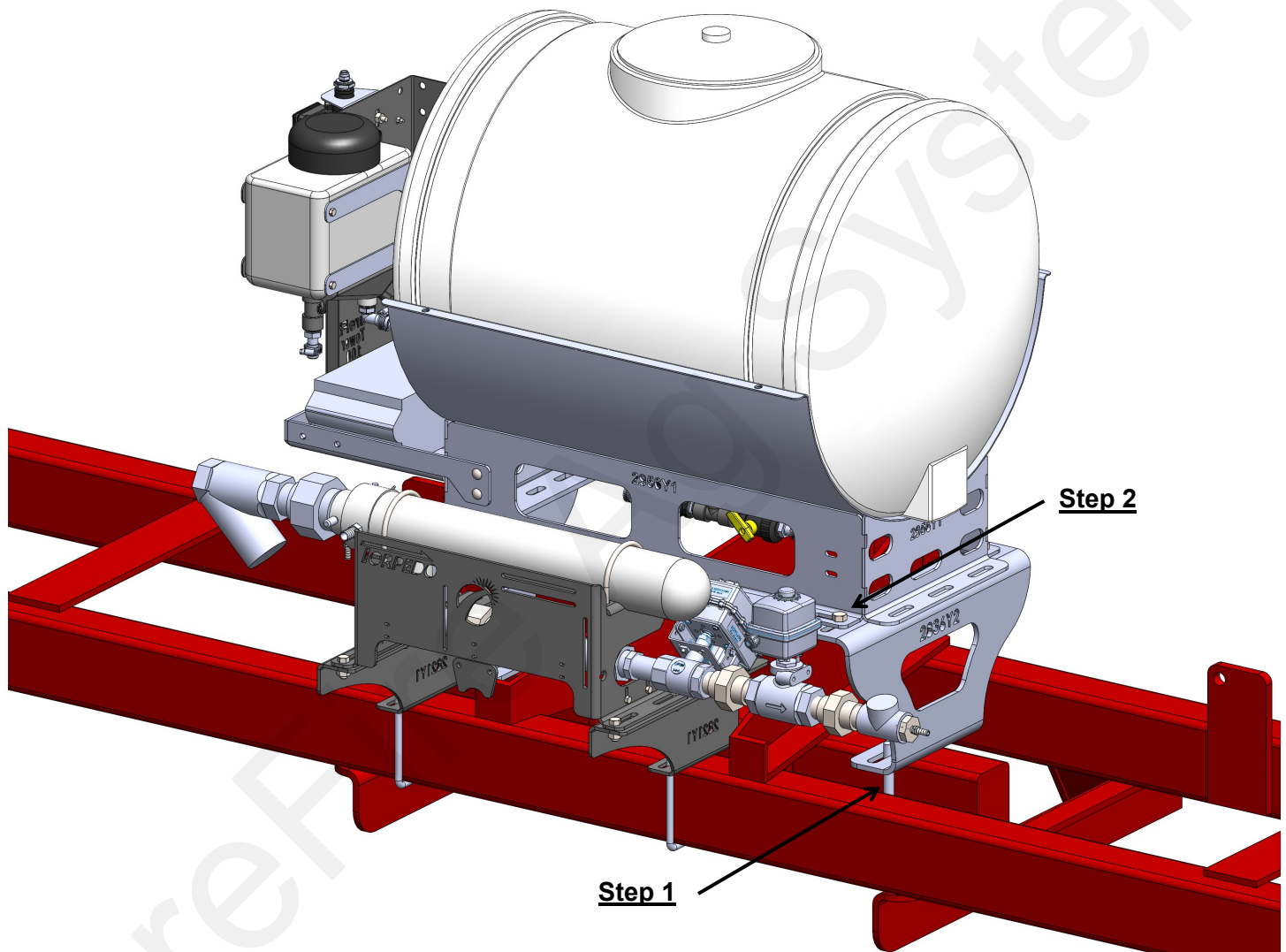


## Optional Items that may be suggested for this equipment .

**Kit Description: Case iH 5310 8R30 Tank Mounting Kit**

**Kit Number: 516-02-050100**

**Instruction sheet for this kit: 396-3658Y1**



1. Mount the tank stands (462-2836Y2) to the the center 4x6 bar using the 3/4"x4"x7-1/2" Square Bent U-bolt kit provided (380-1062).
2. Mount tank (Catalyst/Accelerator) to the mounting brackets using four (4) 5/8"x1-1/2" hex head bolts and flange nuts.
3. Inspect tank and bracket mounting for interference and tighten all bolts.