

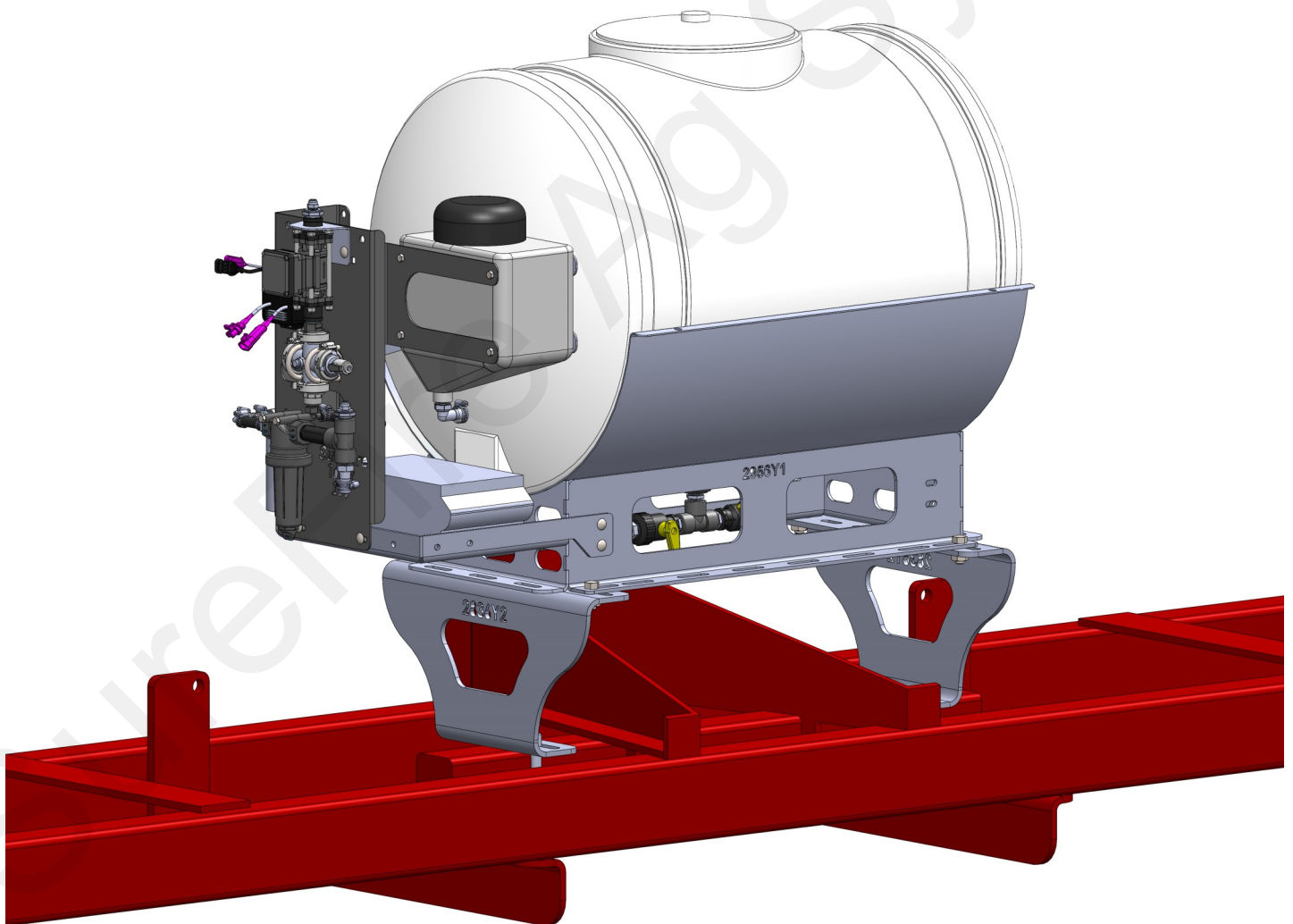


396-3658Y1

Case iH 5310 8R30 Tank Mounting Instructions

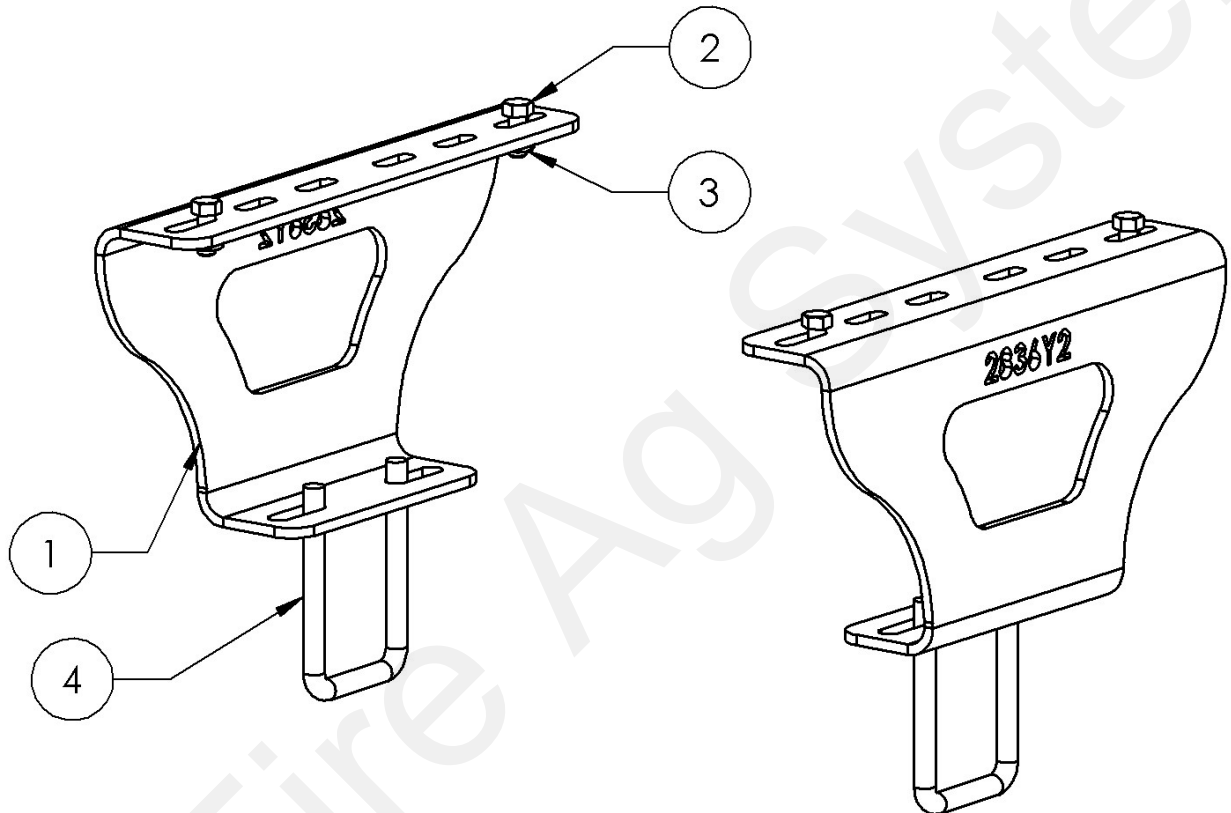
Applicator Manufacturer: **CASE IH**
AGRICULTURE

Kit Number: 516-02-050100





Parts List and Exploded View

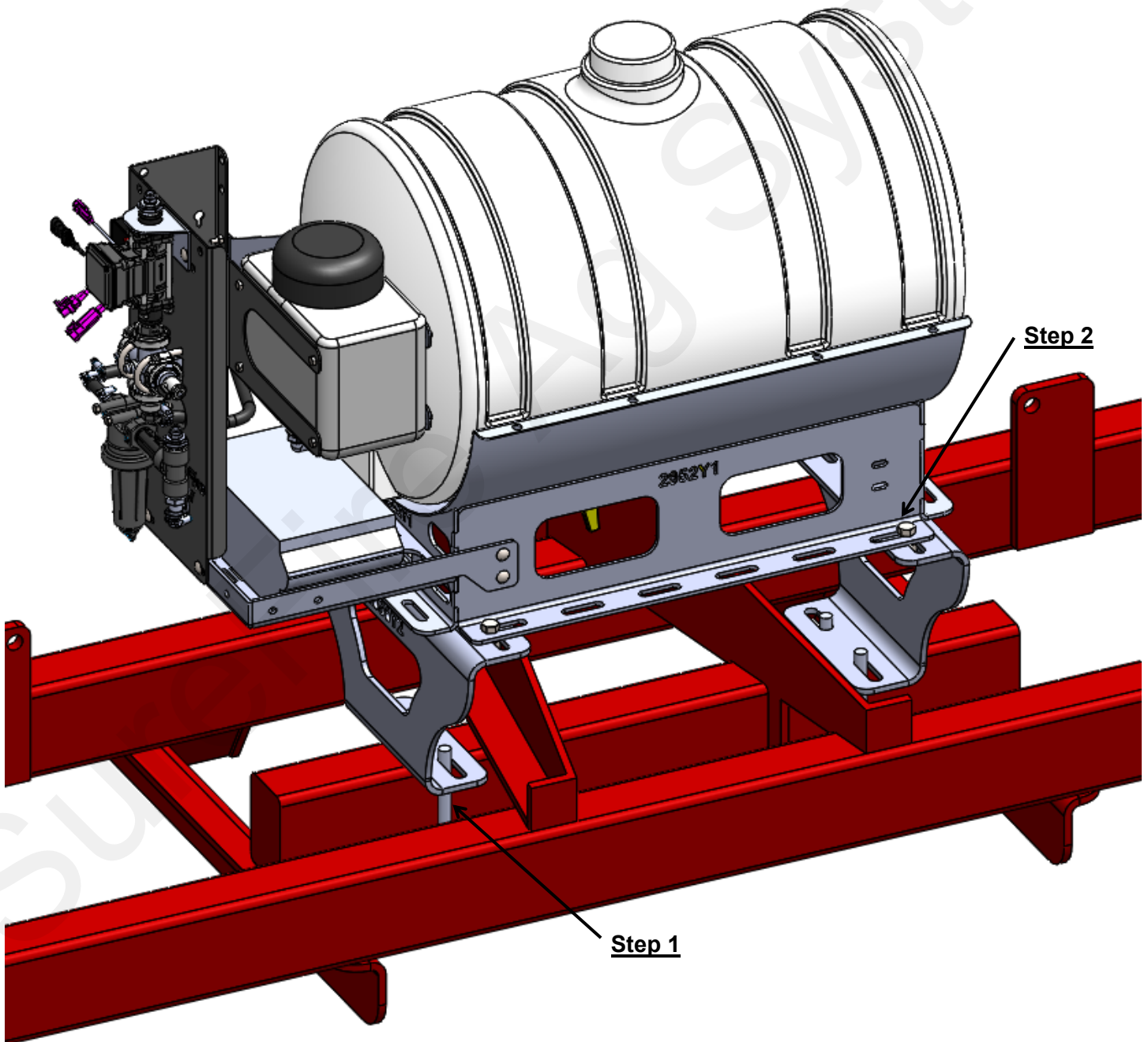


ITEM NO.	PART NUMBER	DESCRIPTION	QTY.
1	420-2836Y2	Accelerator Tank Stand (12" Tall)	2
2	300-100108-5	5/8" x 1-1/2" Hex Head Bolt - G5	4
3	323-10	5/8" Flange Nut	4
4	380-1062	3/4" U-bolt Kit - fits 4" x 6" tube - (4" opening) includes flat & Lock Washer, Nuts	2



Step by Step Instructions

1. Mount the tank stands (462-2836Y2) to the the center 4x6 bar using the 3/4"x4"x7-1/2" Square Bent U-bolt kit provided (380-1062).
2. Mount tank (Catalyst/Accelerator) to the mounting brackets using four (4) 5/8"x1-1/2" hex head bolts and flange nuts.
3. Inspect tank and bracket mounting for interference and tighten all bolts.



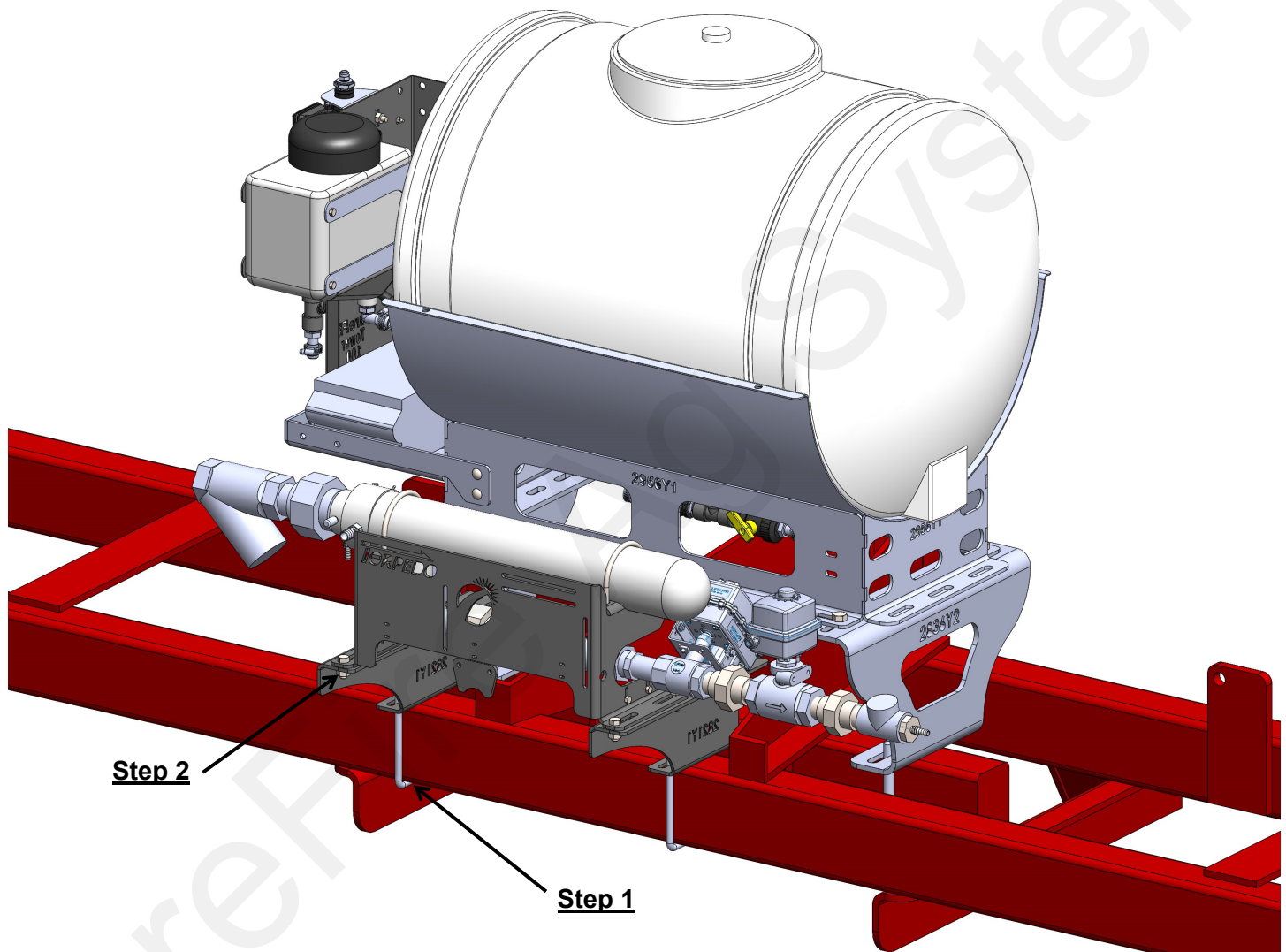


Optional Items that may be suggested for this equipment .

Kit Description: Case iH 5310 8R30 Torpedo Mounting Kit

Kit Number: 516-02-050400

Instruction sheet for this kit: 396-3659Y1



1. Mount the Offset Torpedo Mounting Brackets (462-2821Y1) to the the rear bar using the 1/2"x4"x7-1/2" Square Bent U-bolt kit provided (380-1015).
2. Mount the Torpedo (100 or 200) to the mounting brackets using four (4) 1/2"x1-1/4" hex head bolts and flange nuts.
3. Inspect bracket and Torpedo mounting for interference and tighten all bolts.

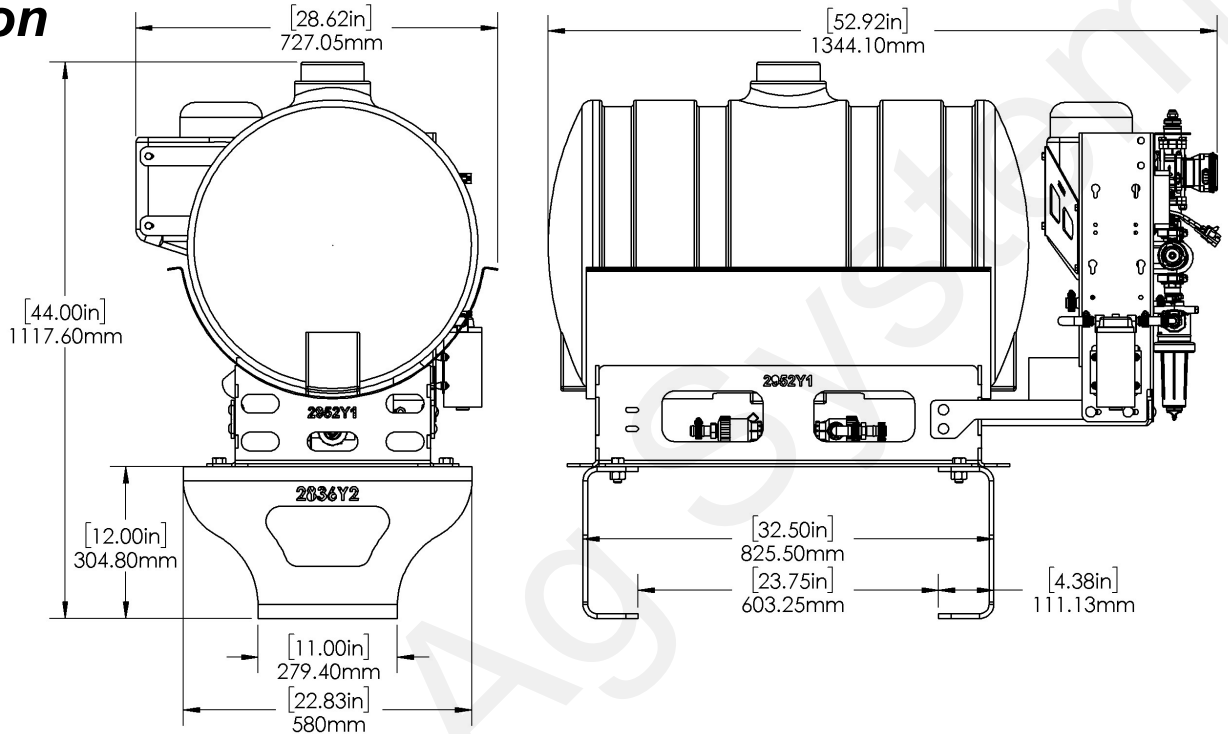


General Dimensions SureFire Catalyst™ System

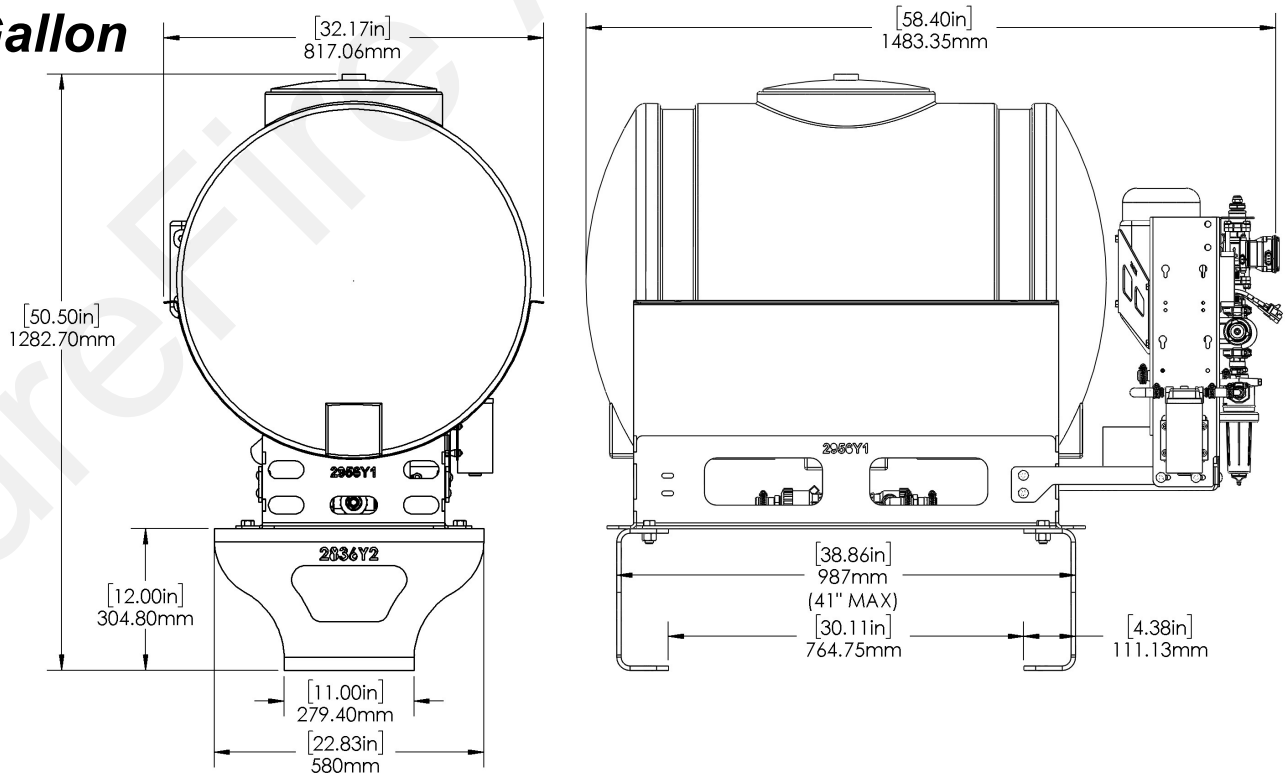
CATALYST MICRO VOLUME APPLICATION SYSTEM

The mounting brackets can be adjusted under the Catalyst™ tank base using any of the multiple slots in the tank base for flexible mounting options.

55 Gallon



110 Gallon





THE ACCELERATOR

BY SUREFIRE AG SYSTEMS

General Dimensions SureFire Accelerator Tanks

55 Gallon Tank

