



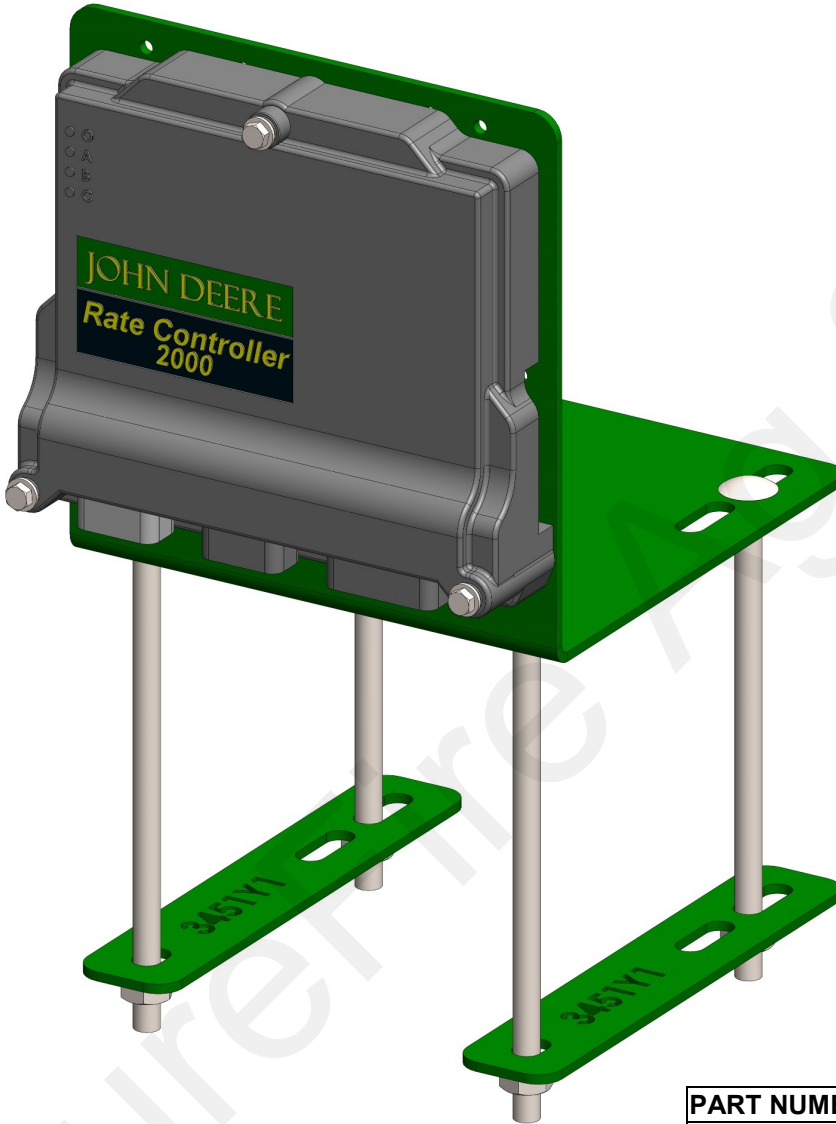
396-3485Y1

Rate Controller 2000 Mounting Bracket Instructions

Kit Number: 515-101100



JOHN DEERE



Kit Contains:

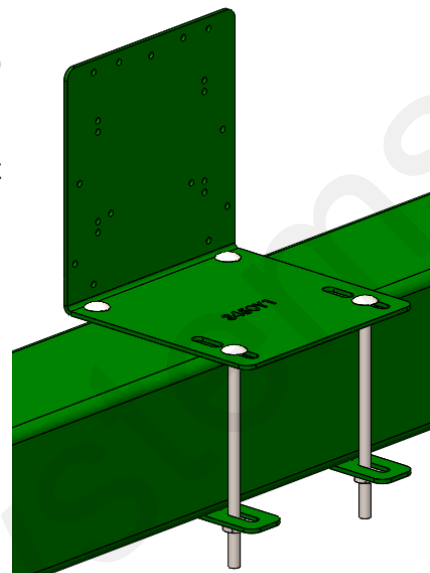
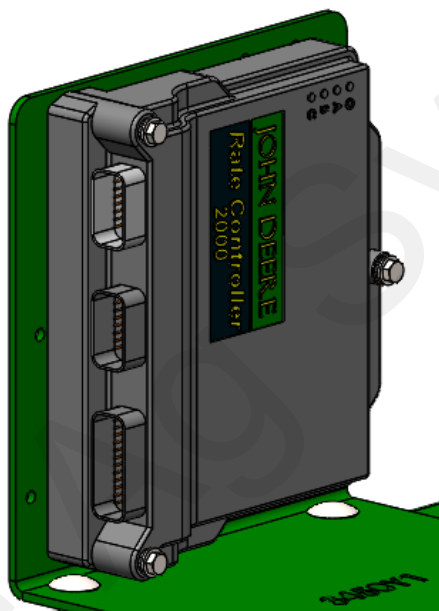
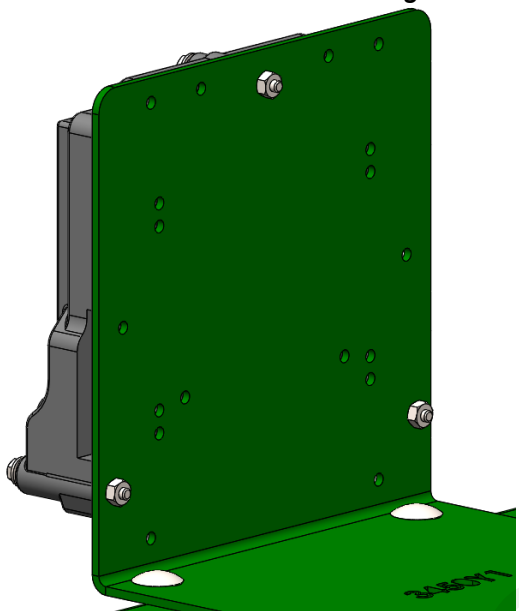
PART NUMBER	DESCRIPTION	QTY.
300-040208-5	1/4" x 2-1/2" Hex Head Bolt - G5	1
300-040300-5	1/4" x 3" Hex Head Bolt - G5	2
304-080908-5	Carriage Bolt - 1/2" x 9-1/2" - G5	4
321-04	1/4" Nylock Nut	3
323-08	1/2" Flange Nut	4
330-04	1/4" Flat Washer	3
400-3450Y1-GN	JDRC 2000 / SureFire ISOBUS ECU Mounting Bracket	1
400-3451Y1-GN	JDRC 2000 / SureFire ISOBUS ECU Mounting Backer Plate	1



Step by Step Instructions

1. Attach 400-3450Y1-GN mounting bracket to implement frame using two (2) 400-3451Y1-GN backer plates, four (4) 1/2" x 9-1/2" carriage bolts and four (4) 1/2" flange nuts.
Note: This kit is designed to fit 5"-8" wide bars.
2. Using the 1/4" x 2-1/2" bolt in the top hole and 1/4" x 3" bolt in the two bottom holes, mount the rate controller to the mounting bracket with flat washers and flange nuts.

Note: The rate controller can be mounted vertically (connectors pointed down) on the outside of the bar as shown bottom left, or horizontally in either direction on either side of the mounting bracket as shown on the bottom right.



Optional Items that may be installed with this equipment

Kit Description: SureFire ISOBUS ECU Mounting Kit
Kit Number: 515-100950

The mounting bracket (400-3450Y1) also has holes (center) for mounting the SureFire ISOBUS ECU vertically or horizontally. The SureFire ISOBUS ECU can be mounted along with the John Deere Rate Controller 2000.

1. Using the four (4) 1/4" x 2-1/2" bolts, flat washers and flange nuts in the kit, mount the ECU to the mounting bracket.

