



Manufacturer:

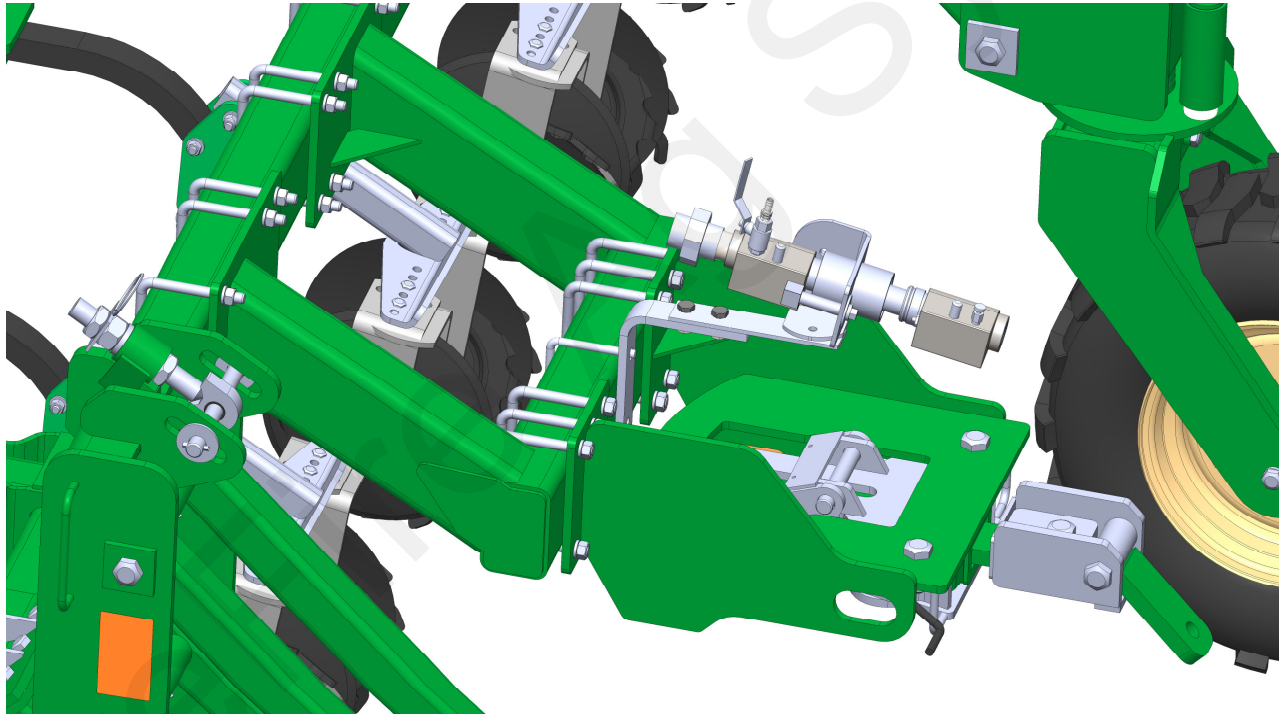
396-3297Y1

Great Plains NutriPro NH3 Break-Away Mounting Bracket



Kit Number: 516-04-250150

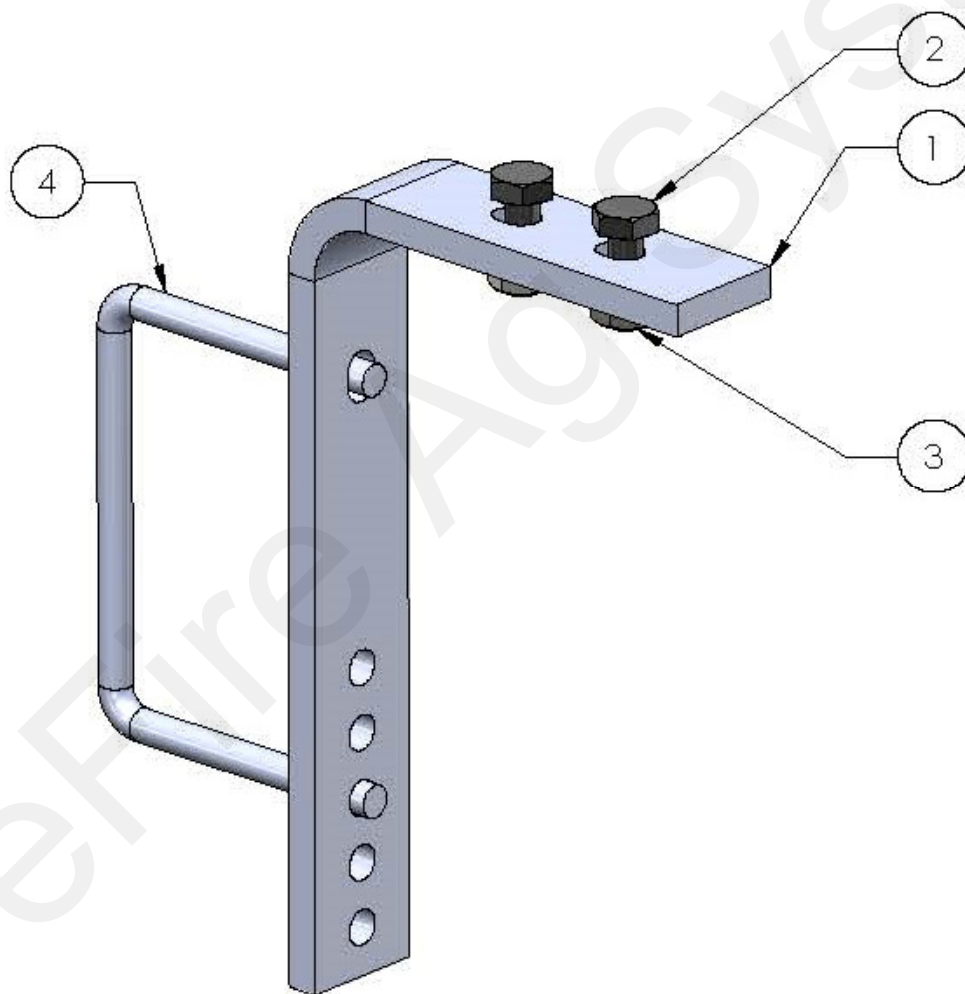
* This Bracket Kit will mount SureFire Parts 153-A-SWV-125 and/or 153-A-SWV-150 Full Port Quick Disconnect/Break-Aways.



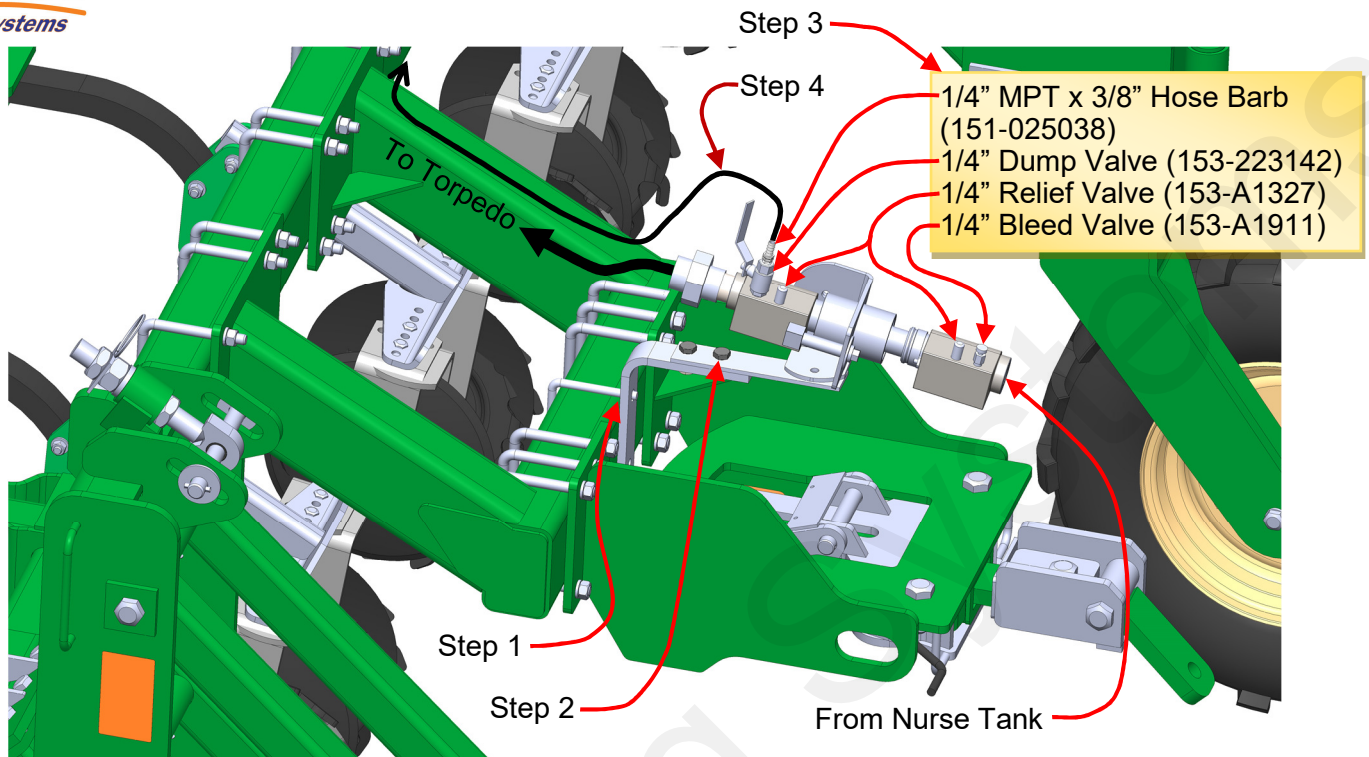


Parts List and Exploded View

ITEM NO.	PART NUMBER	DESCRIPTION	QTY.
1	462-3277Y1	NH3 Break-Away Mounting Bracket - Fits 4"-8" Tall Tool Bars	1
2	300-080108-8	1/2"-13 x 1-1/2" HCS G8	2
3	323-08	1/2" Flange Nut	2
4	380-1017	1/2" x 6" x 5" Square Bend U-Bolt	1



Step by Step Instructions



1. Mount the Break-Away Bracket (462-3277Y1-BK) to the Rear Hitch Bar/ Nurse Tank Hitch as shown, using the included 1/2"x6"x5" Square Bend U-bolt (380-1017). **Note: Recommended location of the Break-Away should be as far to the rear of the Implement as possible and as close to centered on the Implement as well. In doing so, this will optimize the functionality and safety of the Break-Away Coupler.**
2. Mount the Full Port Quick Disconnect/Break-Away (153-A-SWV-125 or 153-A-SWV-150) to the Break-Away Mounting Bracket, using the provided 1/2"x1-1/2" Bolts and Flange Nuts.
3. Insert the included Relief Valves, Dump Valve and Bleed Valve onto the Break-away Check Valves as shown in picture above. (These parts are included in your Torpedo Kit)
4. **For safety purposes...Route 3/8" NH3 Tubing (This Tubing is included with your Torpedo Kit) off of the Dump Valve Hose Barb to the edge of Implement. This will create more distance from you and the NH3 discharge location when the valve is opened. NOTICE: If you do not run the 3/8" NH3 tubing, please install a standard bleed valve. SureFire Ag Part Number: 153-A1911**