

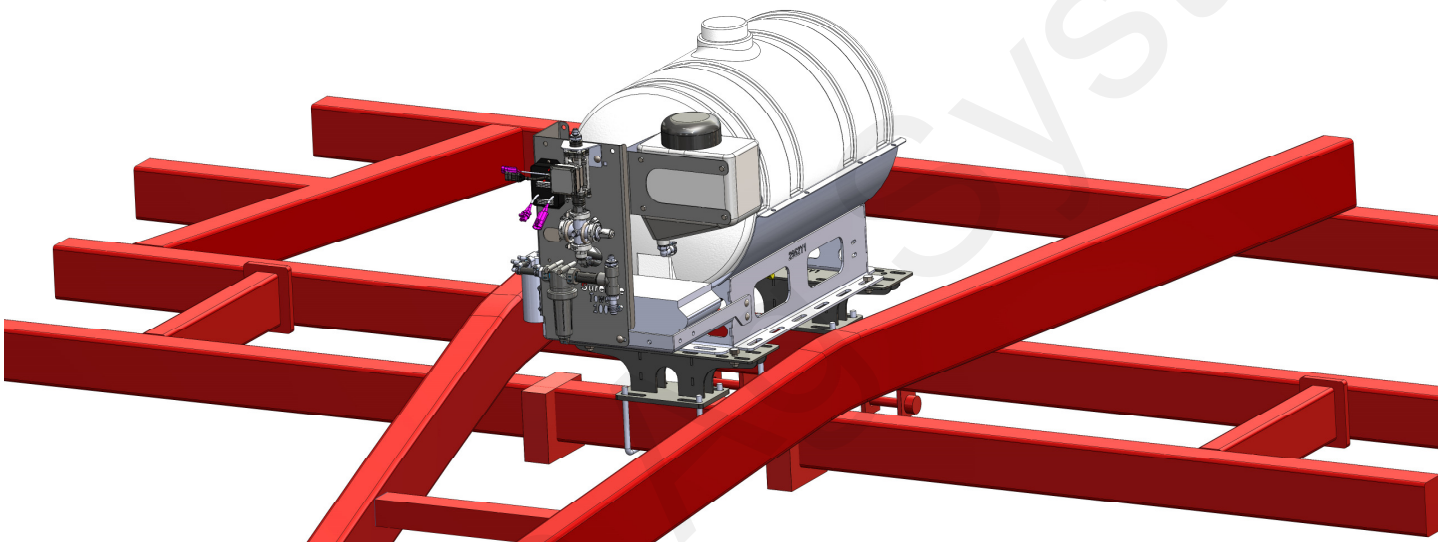


396-3270Y1

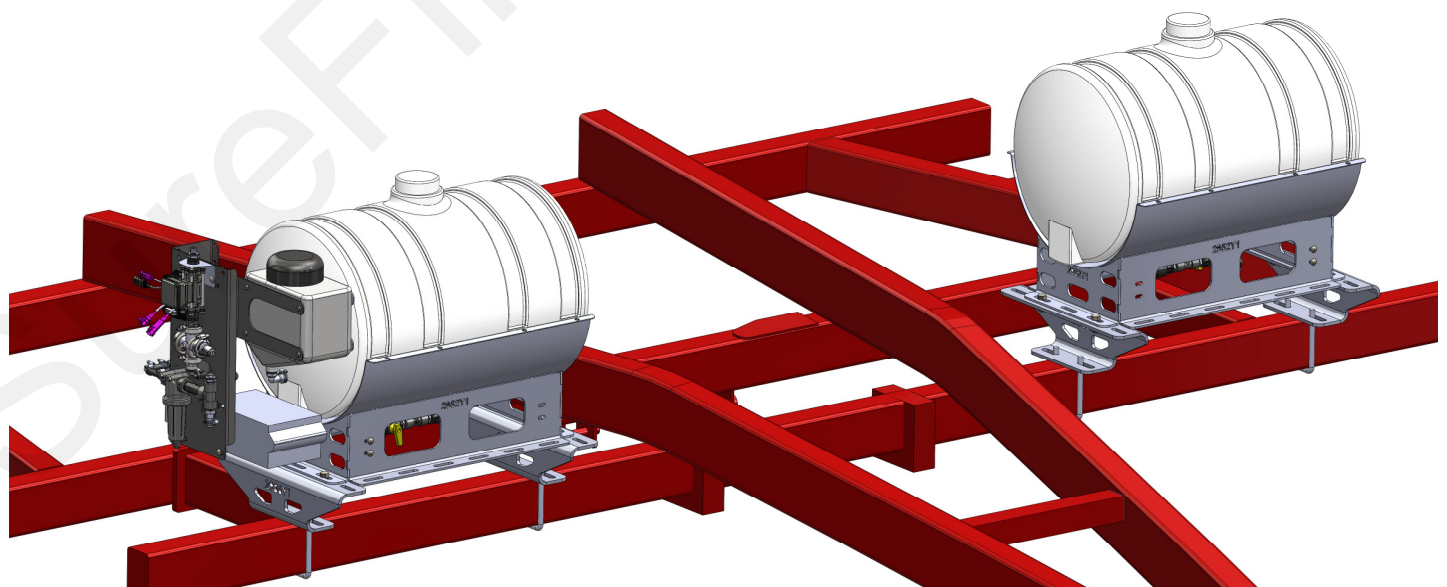
Case IH 5310 16 Row 30" Spacing Catalyst 55/110 Mounting Kits

Manufacturer: **CASE IH**
AGRICULTURE

Kit Number: 516-02-100100 (55 or 110 Catalyst)



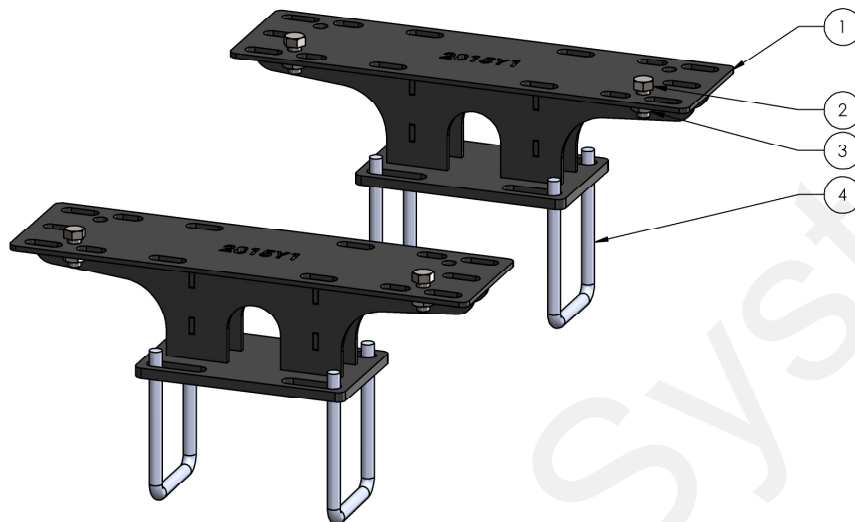
Kit Number: 516-02-100150 (Dual 55 Catalyst)





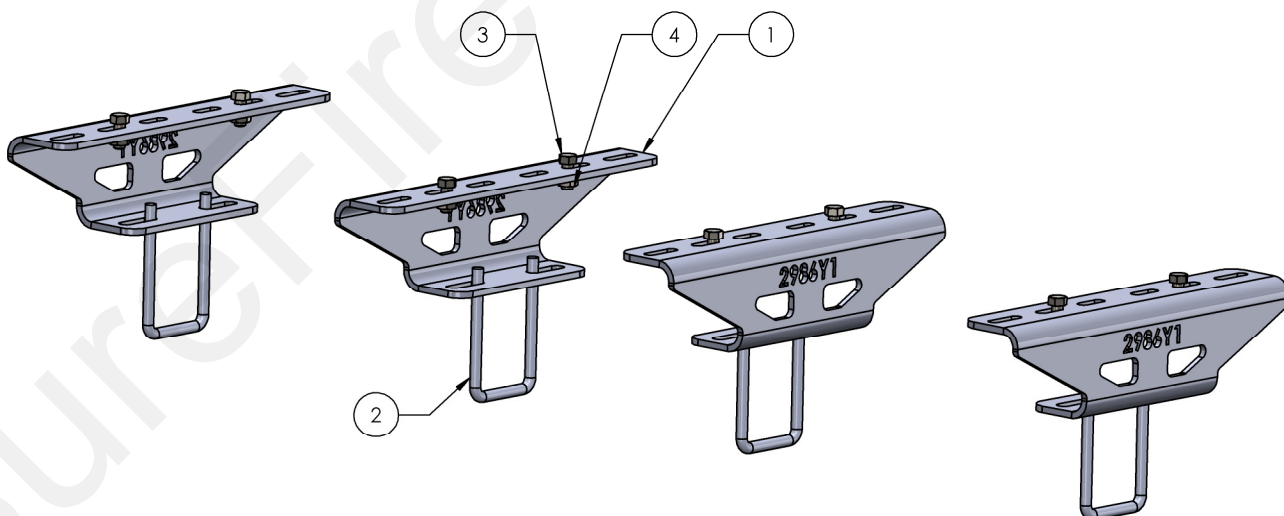
Parts List

Kit Number: 516-02-100100 (55 or 110 Catalyst)



ITEM NO.	PART NUMBER	DESCRIPTION	QTY.
1	420-2815Y1	Pedestal Support for Tank	2
2	300-100108-5	5/8" x 1-1/2" HCS G5	4
3	323-10	5/8" Flange Nut	4
4	380-1041	5/8" x 4" x 7-1/2" Square Bend U-Bolt	4

Kit Number: 516-02-100150 (Dual 55 Catalyst)

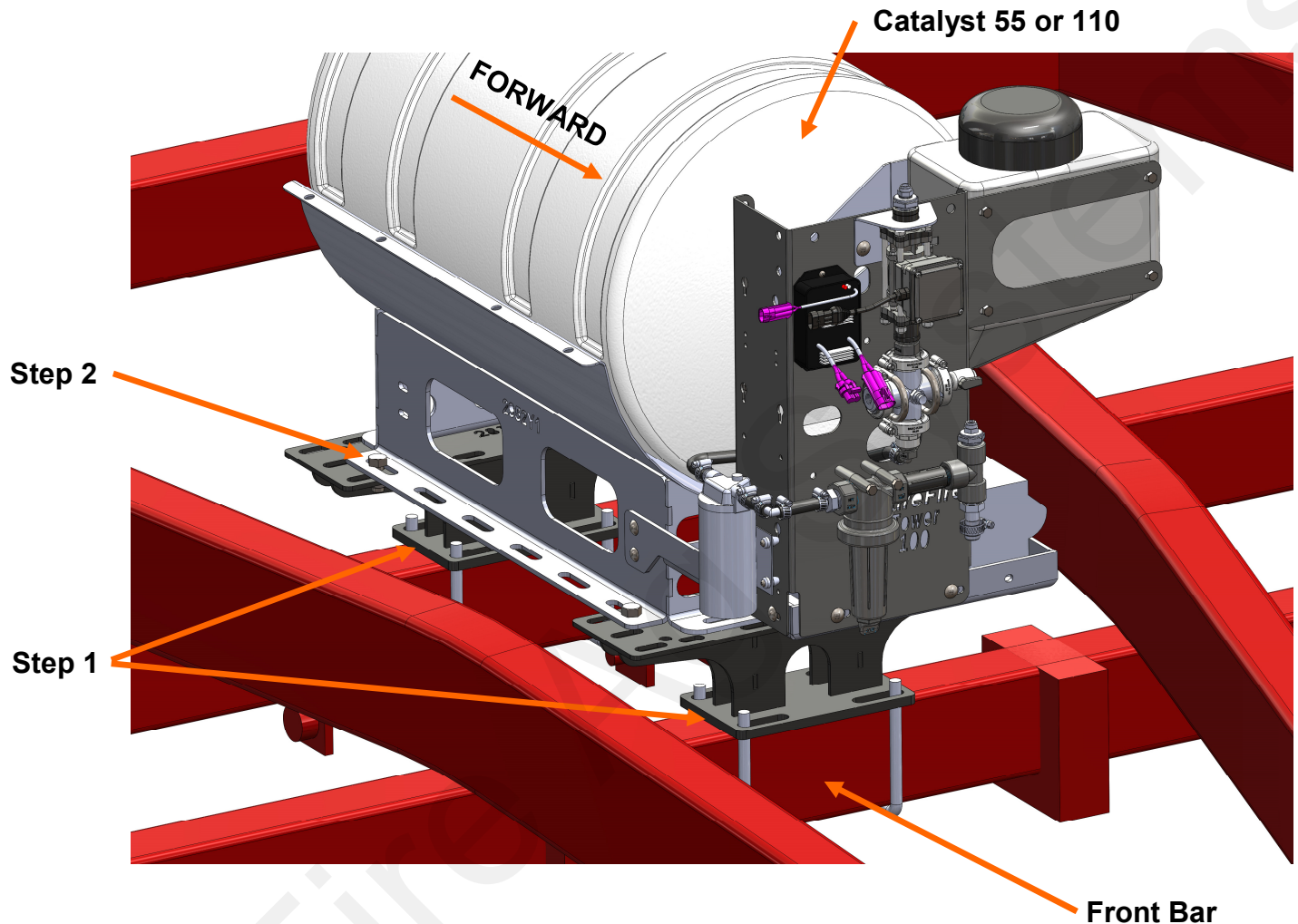


ITEM NO.	PART NUMBER	DESCRIPTION	QTY.
1	420-2986Y1	55 and 110 Gallon Tank Pedestal (6" Tall)	4
2	380-1041	5/8" x 4" x 7-1/2" Square Bend U-Bolt	4
3	300-100108-5	5/8" x 1-1/2" HCS G5	8
4	323-10	5/8" Flange Nut	8



Step by Step Instructions

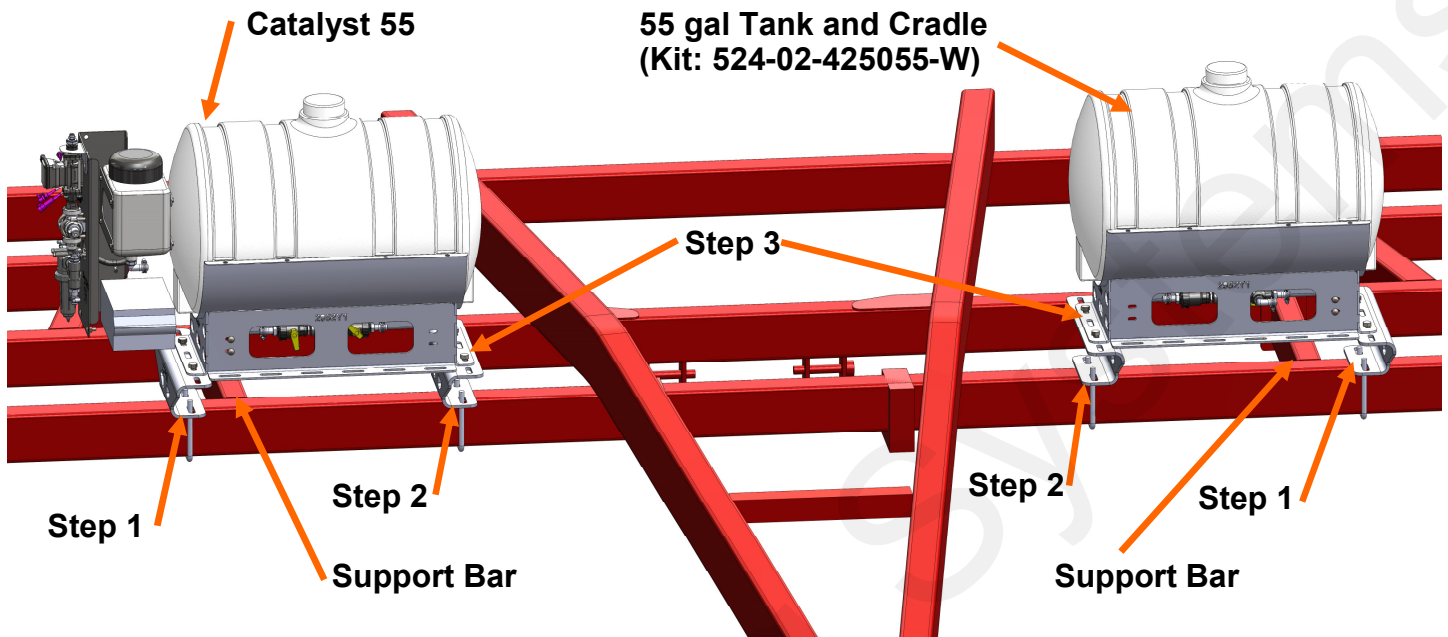
Kit :516-02-100100



1. Center mount the two provided 420-2815Y1 Pedestals with provided 380-1041 Square Bend U-bolts as shown in picture above. Do not tighten U-bolts for adjustment in next step.
2. Mount the Catalyst on top of Pedestals and fasten with provided 5/8"x1-1/2" Bolts.
3. Tighten all nuts once Catalyst is in desired position and clearance/interference of existing equipment has been checked.

Step by Step Instructions

Kit :516-02-100150



1. Mount the two outside 420-2986Y1 Pedestals with the provided 380-1041 Square Bend U-bolts first. They should go on the outside edge of the support bars on each side of the Implement as shown in Picture above. Do not tighten to allow for adjustment in next steps.
2. Mount the remaining inside pedestals as shown above. They should be located approx. 33 inches from the outside Pedestals. Do not tighten to allow for adjustment in next steps.
3. Mount the 55 Catalyst and 55 Gal Tank and Cradle on top of Pedestals and fasten with provided 5/8"x1-1/2" Bolts.
4. Tighten all nuts once Catalyst is in desired position and clearance/interference of existing equipment has been checked.