



# 396-3234Y1

## Great Plains NutriPro Fill Kit Mounting Instructions

**Kit Number: 520-00-300100**

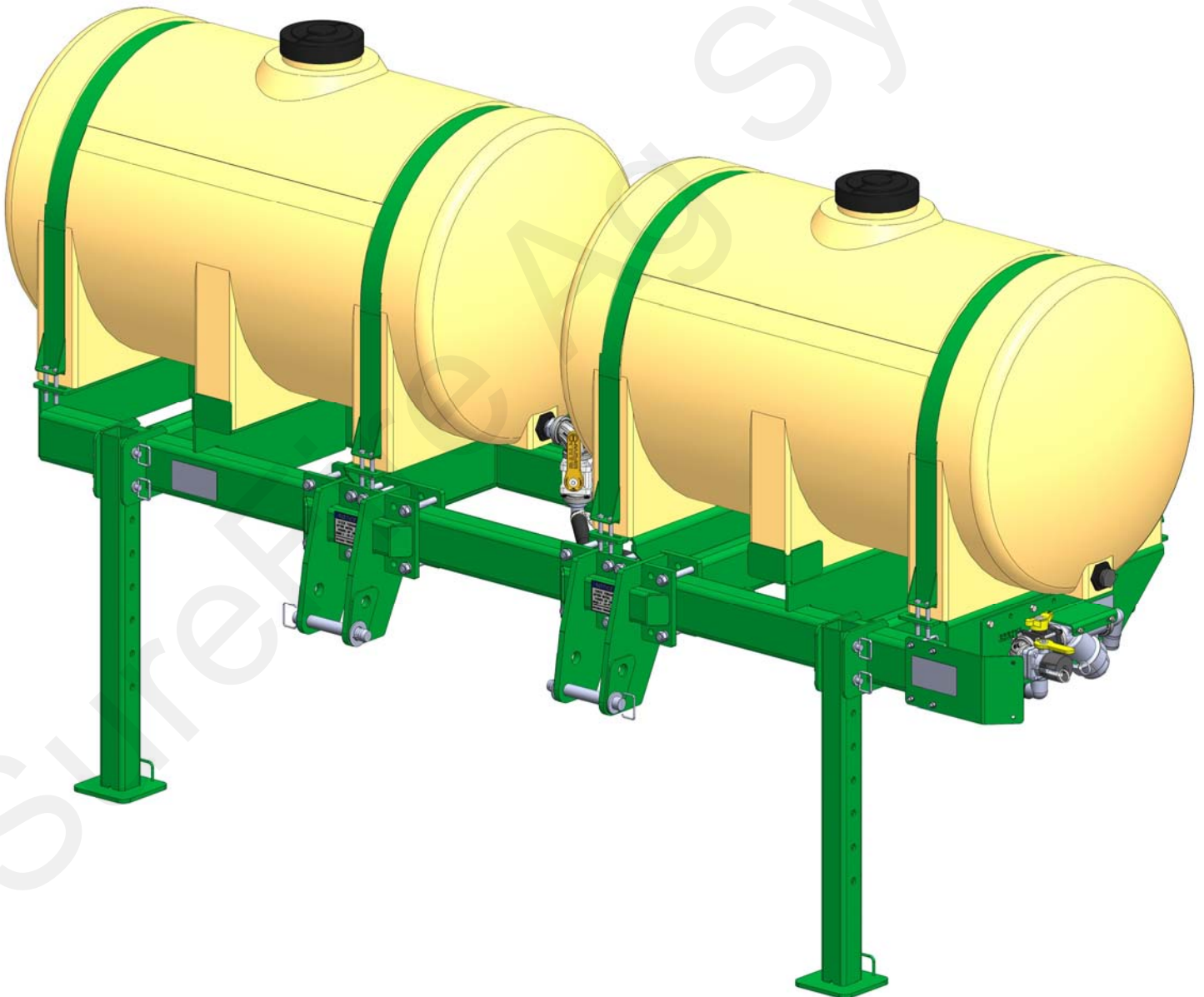
**Kit Description: Great Plains NutriPro Fill Kit**

**Kit Number: 520-00-300200**

**Kit Description: Great Plains NutriPro Fill Kit (International)**

**Kit Number: 520-00-300300**

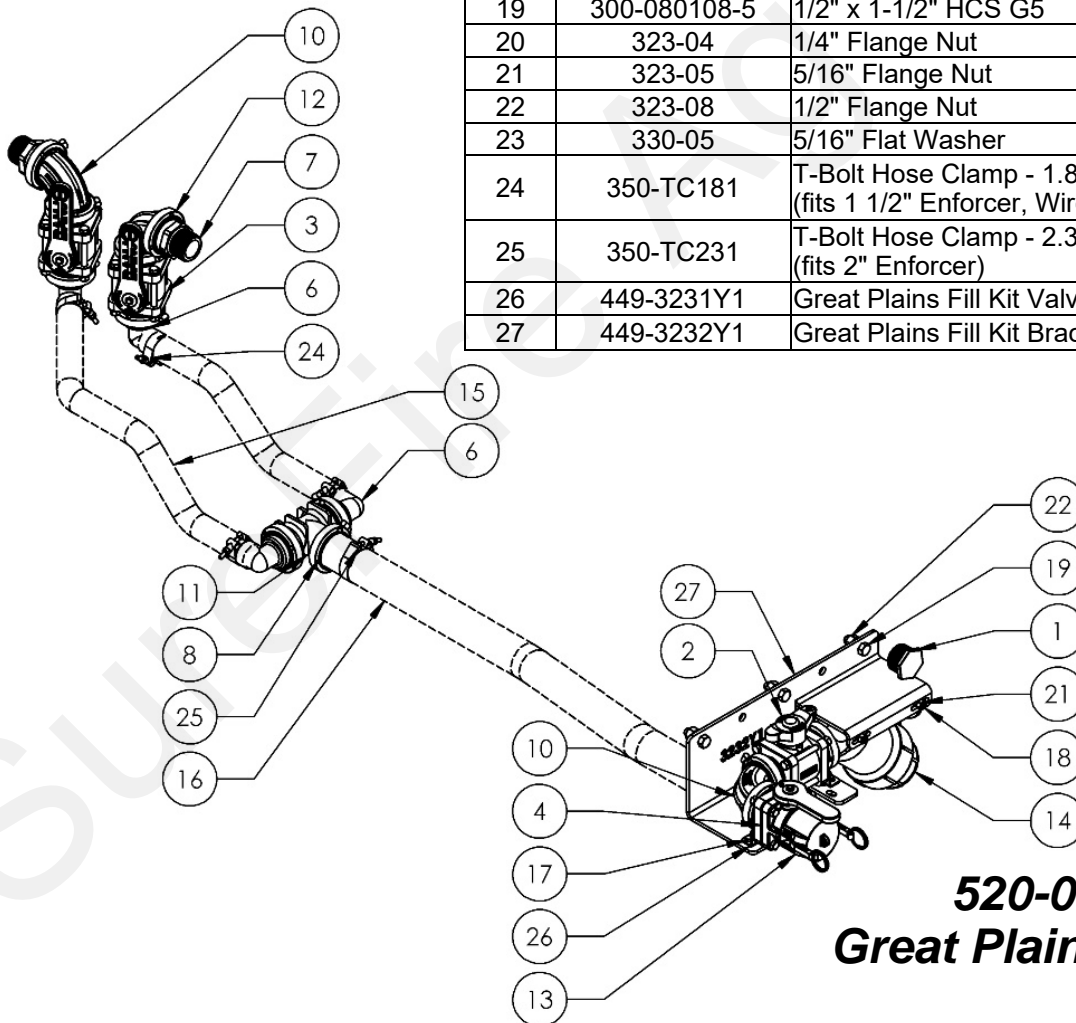
**Kit Description: Great Plains NutriPro Dual Product Fill Kit**





# Parts List and Exploded View

ITEM NO.	PART NUMBER	DESCRIPTION	QTY.
1	100-150PLUG	1-1/2" Pipe Plug	2
2	102-200MV-3BL	2" Manifold Bottom Load Valve 3 way	1
3	102-200MVCF	2" Manifold Ball Valve	2
4	102-200VSFCF	200 Series Manifold x 2" Male Quick Coupler Std Port Valve	1
5	105-150G	1 1/2" EPDM Gasket	13
6	105-200150BRB90	2" Manifold x 1-1/2" HB - 90 Degree	4
7	105-200150MPT	2" Manifold X 1-1/2" MPT	2
8	105-200BRB	2" Manifold x 2" HB	1
9	105-200BRB90	2" Manifold x 2" HB - 90 Degree	1
10	105-200SWP90	2" Manifold Sweep - 90 Degree	3
11	105-200TEE	2" Flanged Tee Fitting	1
12	105-FC200	2" Manifold Clamp	13
13	106-200CAP	2" Female Coupler x 2" HB	1
14	109-200MLS-20M	2" Manifold Y Strainer - 20Mesh w/ 5/16" bolt holes for mounting	1
15	280-150-ENF	1-1/2" Enforcer Fertilizer Solution Hose - 5 ft	1
16	280-200-ENF	2" Enforcer Fertilizer Solution Hose - 4 ft	1
17	300-040012-5	1/4" x 3/4" HCS G5	4
18	300-050508-5	5/16" x 5-1/2" HCS G5	2
19	300-080108-5	1/2" x 1-1/2" HCS G5	3
20	323-04	1/4" Flange Nut	4
21	323-05	5/16" Flange Nut	2
22	323-08	1/2" Flange Nut	3
23	330-05	5/16" Flat Washer	2
24	350-TC181	T-Bolt Hose Clamp - 1.81 - 2.06" Diameter (fits 1 1/2" Enforcer, Wire Braided or AG200)	4
25	350-TC231	T-Bolt Hose Clamp - 2.31 - 2.62" Diameter (fits 2" Enforcer)	2
26	449-3231Y1	Great Plains Fill Kit Valve Bracket	2
27	449-3232Y1	Great Plains Fill Kit Bracket	1

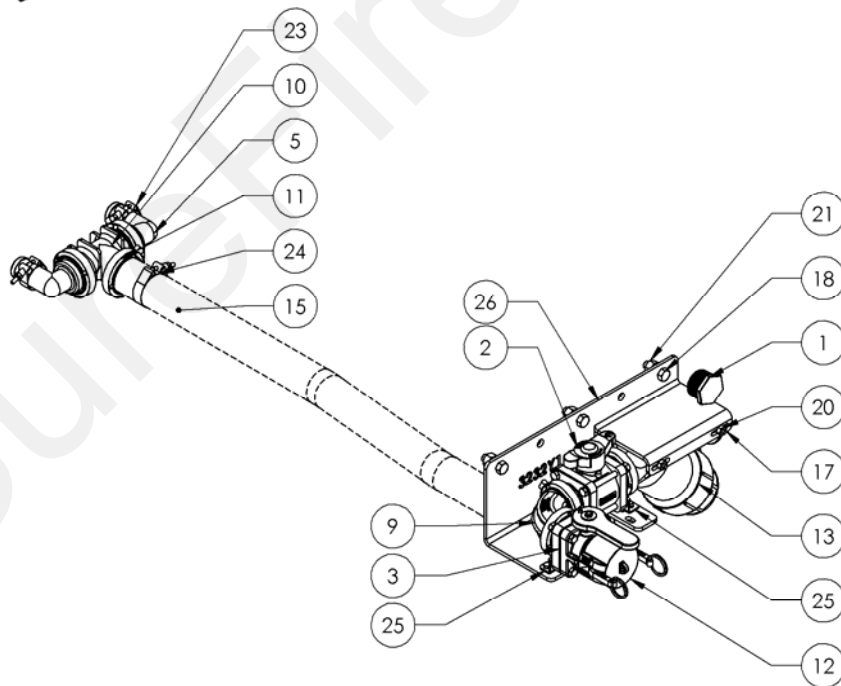
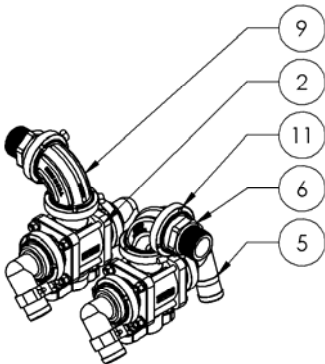


## 520-00-300100 Great Plains NutriPro Fill Kit



# Parts List and Exploded View

ITEM NO.	PART NUMBER	DESCRIPTION	QTY.
1	100-150PLUG	1-1/2" Pipe Plug	2
2	102-200MV-3BL	2" Manifold Bottom Load Valve 3 way	3
3	102-200VSFCF	200 Series Manifold x 2" Male Quick Coupler Std Port Valve	1
4	105-150G	1 1/2" EPDM Gasket	15
5	105-200150BRB90	2" Manifold x 1-1/2" HB - 90 Degree	6
6	105-200150MPT	2" Manifold X 1-1/2" MPT	2
7	105-200BRB	2" Manifold x 2" HB	1
8	105-200BRB90	2" Manifold x 2" HB - 90 Degree	1
9	105-200SWP90	2" Manifold Sweep - 90 Degree	3
10	105-200TEE	2" Flanged Tee Fitting	1
11	105-FC200	2" Manifold Clamp	15
12	106-200CAP	2" Female Coupler x 2" HB	1
13	109-200MLS-20M	2" Manifold Y Strainer - 20Mesh w/ 5/16" bolt holes for mounting	1
14	280-150-ENF	1-1/2" Enforcer Fertilizer Solution Hose - 5 ft	1
15	280-200-ENF	2" Enforcer Fertilizer Solution Hose - 4 ft	1
16	300-040012-5	1/4" x 3/4" HCS G5	4
17	300-050508-5	5/16" x 5-1/2" HCS G5	2
18	300-080108-5	1/2" x 1-1/2" HCS G5	3
19	323-04	1/4" Flange Nut	4
20	323-05	5/16" Flange Nut	2
21	323-08	1/2" Flange Nut	3
22	330-05	5/16" Flat Washer	2
23	350-TC181	T-Bolt Hose Clamp - 1.81 - 2.06" Diameter (fits 1 1/2" Enforcer, Wire Braided or AG200)	4
24	350-TC231	T-Bolt Hose Clamp - 2.31 - 2.62" Diameter (fits 2" Enforcer)	2
25	449-3231Y1	Great Plains Fill Kit Valve Bracket	2
26	449-3232Y1	Great Plains Fill Kit Bracket	1



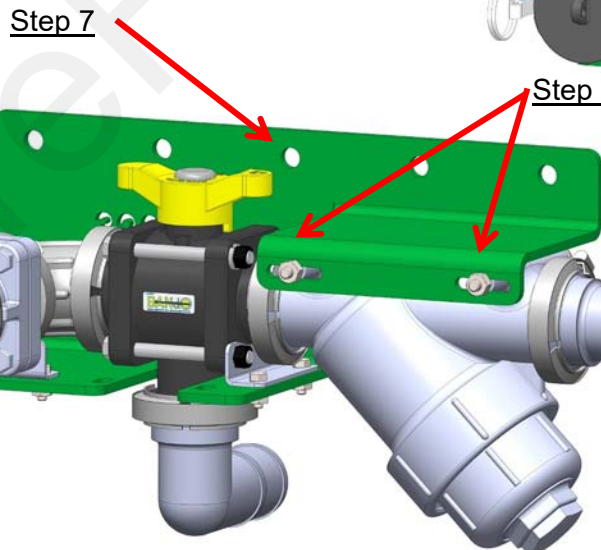
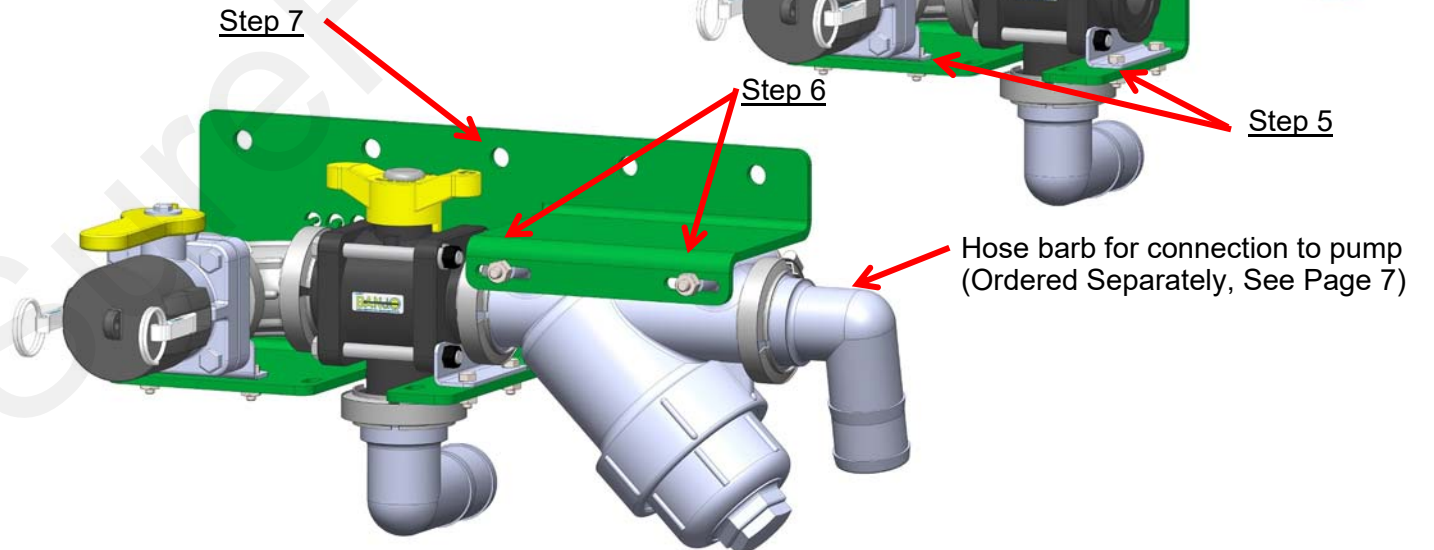
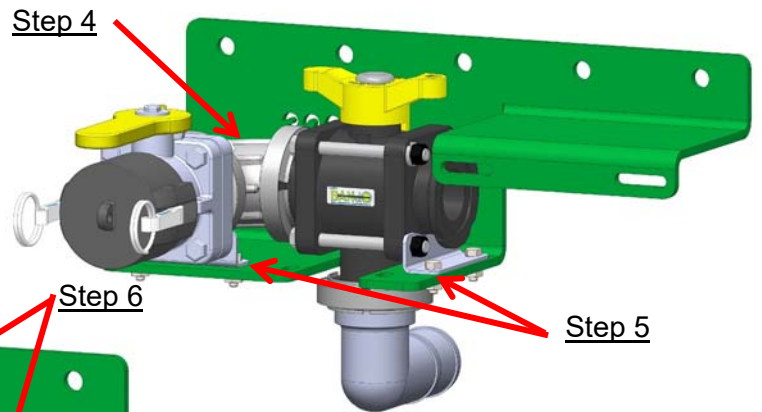
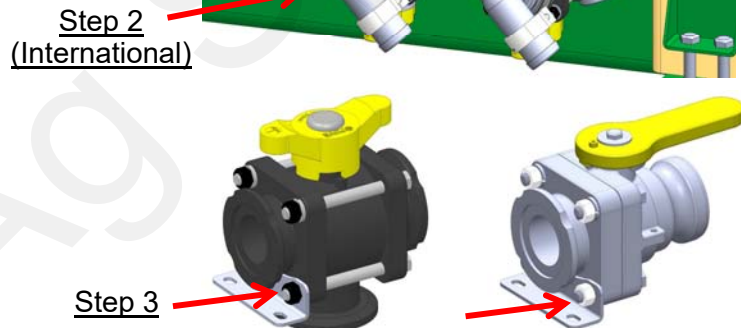
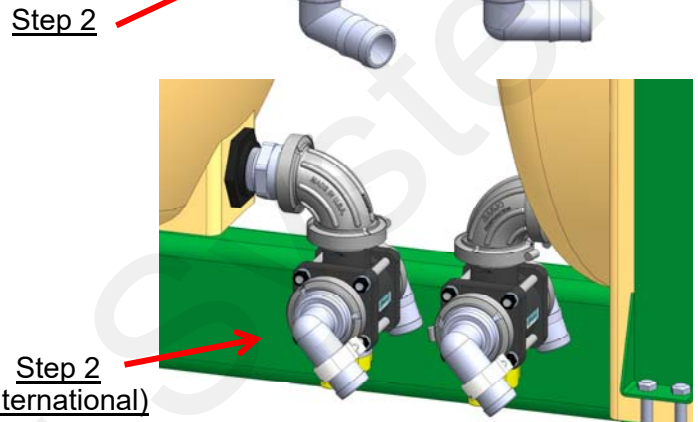
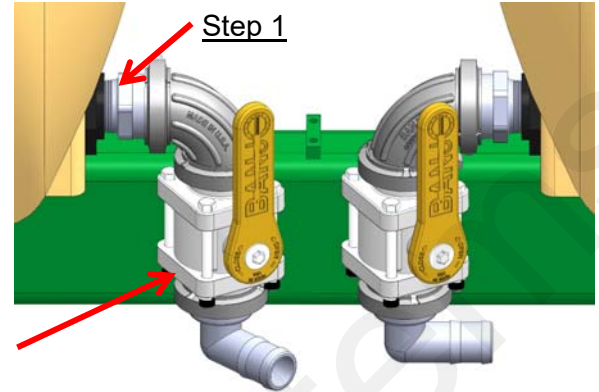
**520-00-300200**  
**Great Plains NutriPro**  
**Fill Kit (International)**



# Step by Step Instructions

1. Thread 1-1/2" pipe plug (Item 1) into outer tank bung, and Item 7 (2" Manifold x 1-1/2" MPT) into center tank bung using thread seal tape/ sealant.
2. Assemble tank isolation valves at the inner tank connection location using manifold clamps and gaskets as shown.
3. Remove nuts on 3-way valve (Item 2) and quick coupler valve (Item 4) and fasten valve bracket (Item 26) as shown.
4. Connect valves with 90° elbow (Item 10) with manifold clamps and gaskets.
5. Fasten valve brackets to fill-kit bracket (P/N 449-3231Y1) using 1/4" bolt and flange nut as shown.
6. Attach strainer (Item 14) to 3-way valve using manifold clamp and gasket, then fasten with 5/16" x 5-1/2" hex head bolts, 5/16" washer and 5/16" flange nuts.
7. Attach 3-way valve assembly to Great Plains NutriPro frame using three (3) 1/2" x 1-1/2" hex head bolts and flange nuts.

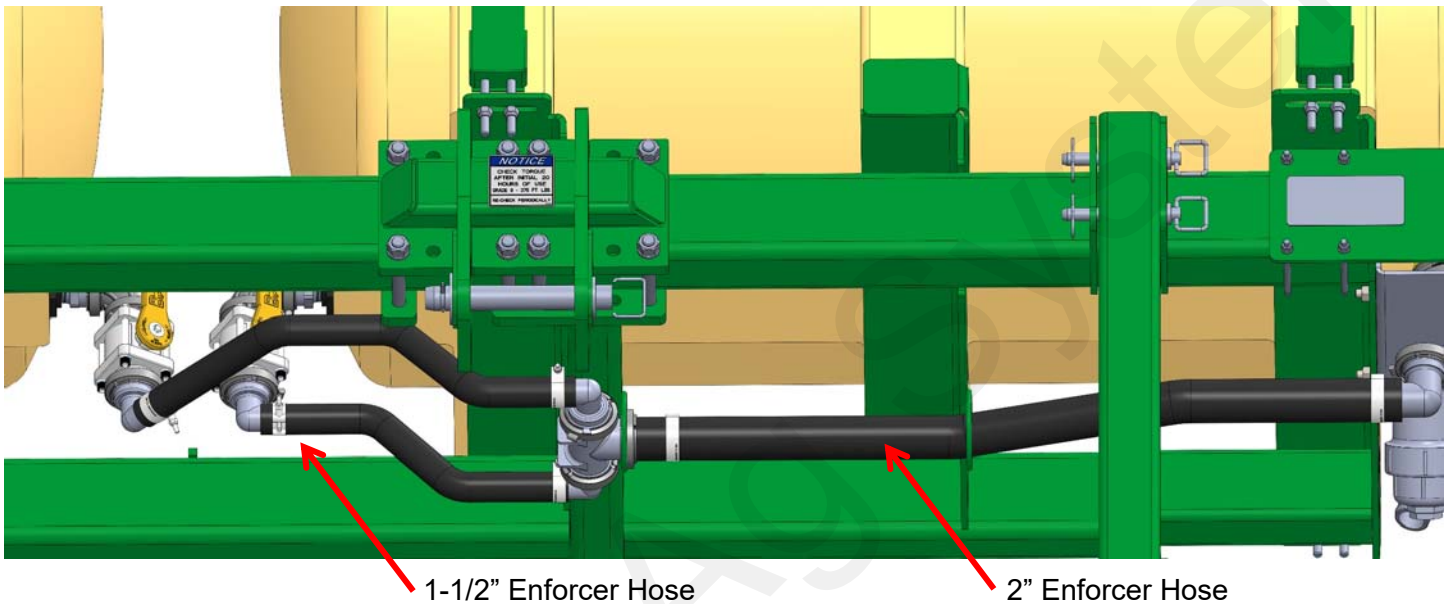
(See next page for hose routing)





# Step by Step Instructions

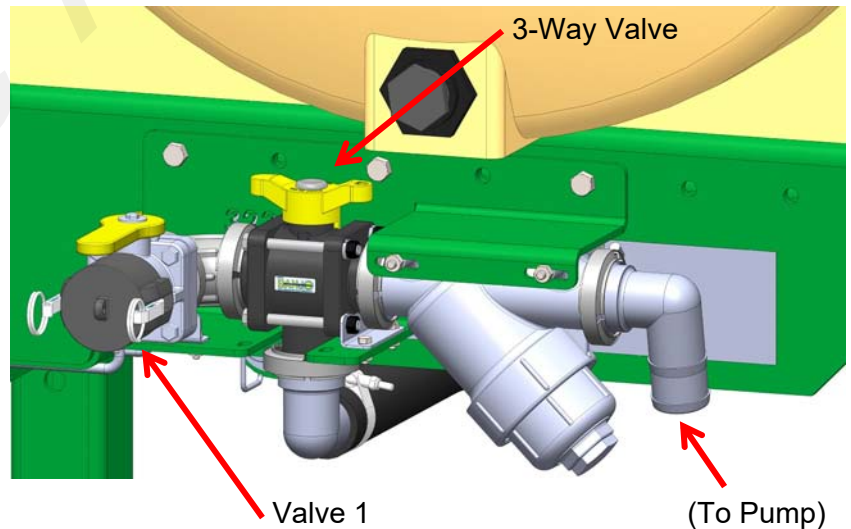
- Route 2" Enforcer hose (Item 16) from 3-way valve assembly hose barb to 2" hose barb (Item 8) connected to 2" manifold tee (Item 11). Tighten with 350-TC231 hose clamp (Item 25).
- Route 1-1/2" Enforcer hose (Item 15) from each 1-1/2" hose barb 90° (Item 6) connected to 2" manifold tee to 1-1/2" hose barb connected to tank isolation valve.



## General Instructions for Filling Tanks

*This kit provides the ability to change the operation from filling the tanks to pump operation with the turn of the 3-way valve.*

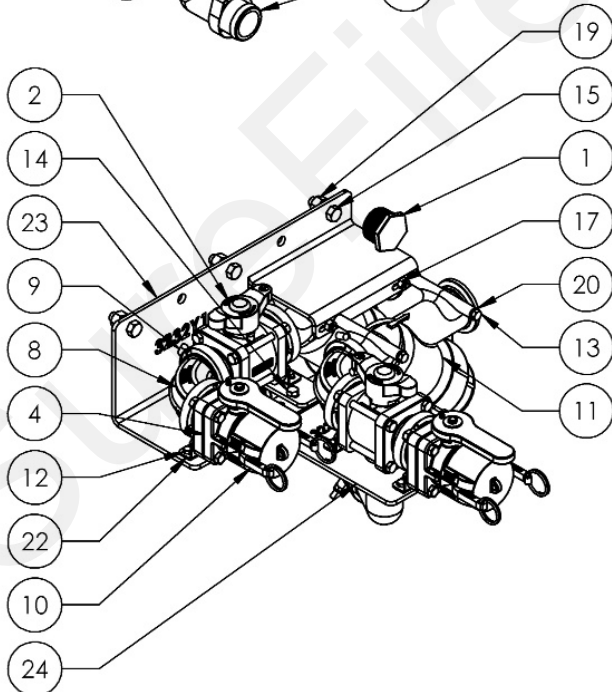
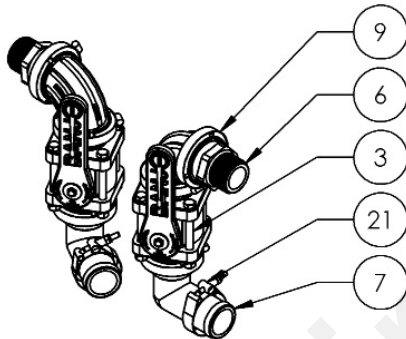
- With Valve 1 closed, and flow arrow on 3-way valve pointed toward Valve 1, remove cap and connect hose from main supply tank.
- Open Valve 1 and begin filling tank. Use isolation valves at the center between the two tanks to control flow to each tank.
- Close Valve 1 and disconnect supply hose. Position 3-way valve with flow arrow pointed toward strainer.





# Parts List and Exploded View

ITEM NO.	PART NUMBER	DESCRIPTION	QTY.
1	100-150PLUG	1-1/2" Pipe Plug	2
2	102-200MV-3BL	2" Manifold Bottom Load Valve 3-way	2
3	102-200MVCF	2" Manifold Ball Valve	2
4	102-200VSFCF	200 Series Manifold x 2" Male Quick Coupler Std Port Valve	2
5	105-150G	1 1/2" EPDM Gasket	14
6	105-200150MPT	2" Manifold X 1-1/2" MPT	2
7	105-200BRB90	2" Manifold x 2" HB - 90 Degree	4
8	105-200SWP90	2" Manifold Sweep - 90 Degree	4
9	105-FC200	2" Manifold Clamp	14
10	106-200CAP	2" Female Coupler x 2" HB	2
11	109-200MLS-20M	2" Manifold Y Strainer - 20Mesh w/ 5/16" bolt holes for mounting	2
12	300-040012-5	1/4" x 3/4" HCS G5	8
13	300-050508-5	5/16" x 5-1/2" HCS G5	4
14	300-060100-5	3/8" x 1" HCS G5	2
15	300-080108-5	1/2" x 1-1/2" HCS G5	3
16	323-04	1/4" Flange Nut	8
17	323-05	5/16" Flange Nut	4
18	323-06	3/8" Flange Nut	2
19	323-08	1/2" Flange Nut	3
20	330-05	5/16" Flat Washer	4
21	350-TC231	T-Bolt Hose Clamp - 2.31 - 2.62" Diameter (fits 2" Enforcer)	4
22	449-3231Y1	Great Plains Fill Kit Valve Bracket	4
23	449-3232Y1	Great Plains Fill Kit Bracket	1
24	449-3233Y1	Great Plains Dual Product Fill Kit Bracket	1
25	280-200-ENF	2" Enforcer Fertilizer Solution Hose - 12ft	1

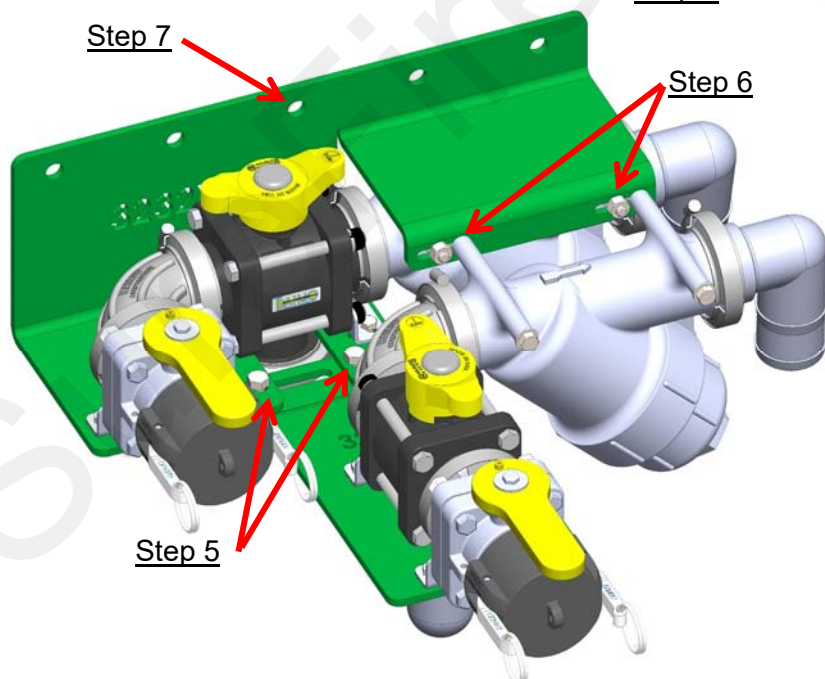
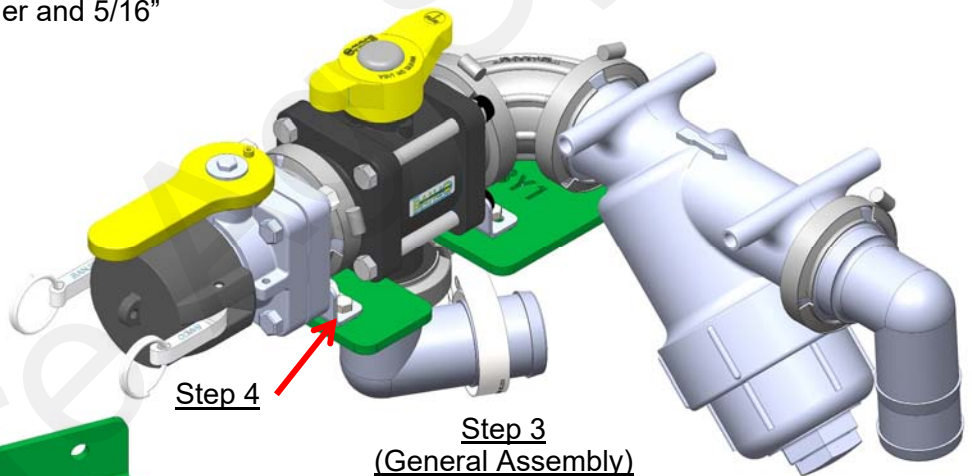
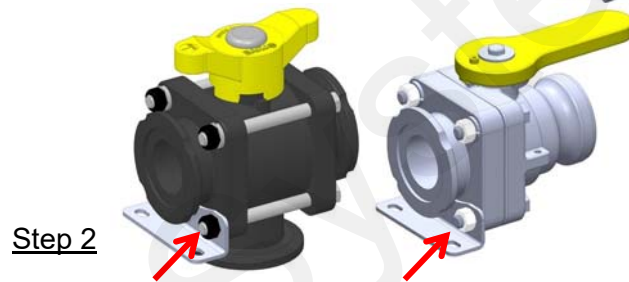
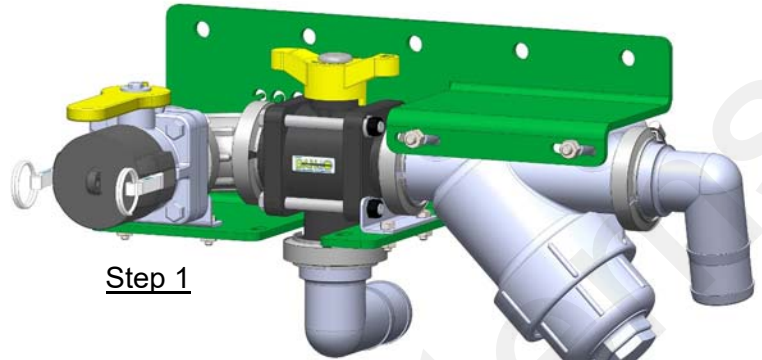


## 520-00-300300 Great Plains NutriPro Dual Product Fill Kit



# Step by Step Instructions

1. Assemble primary tank fill kit per the instructions on page 3.
2. Remove nuts on 3-way valve (Item 2) and quick coupler valve (Item 6) and fasten valve bracket (Item 4) as shown.
3. Attach valves, elbow, strainer and hose bars as shown using manifold clamps and gaskets.
4. Fasten valve brackets to dual product bracket (P/N 449-3233Y1) using four (4) 1/4" x 3/4" hex head bolts and flange nuts.
5. Fasten dual product bracket (P/N 449-3233Y1) to fill kit bracket (P/N 449-3232Y1) using two (2) 3/8" x 1" hex head bolts and flange nuts.
6. Attach strainer to fill kit bracket with 5/16" x 5-1/2" hex head bolts, 5/16" washer and 5/16" flange nuts.
7. Attach 3-way valve assembly to Great Plains NutriPro frame using three (3) 1/2" x 1-1/2" hex head bolts and flange nuts.
8. Route 2" Enforcer hose from each strainer assembly hose barb to tank isolation valve.



Hose barb for connection to pump  
(Ordered Separately, See Page 7)



## Optional Items - Discharge Kits

**Kit Number: 520-00-303600**

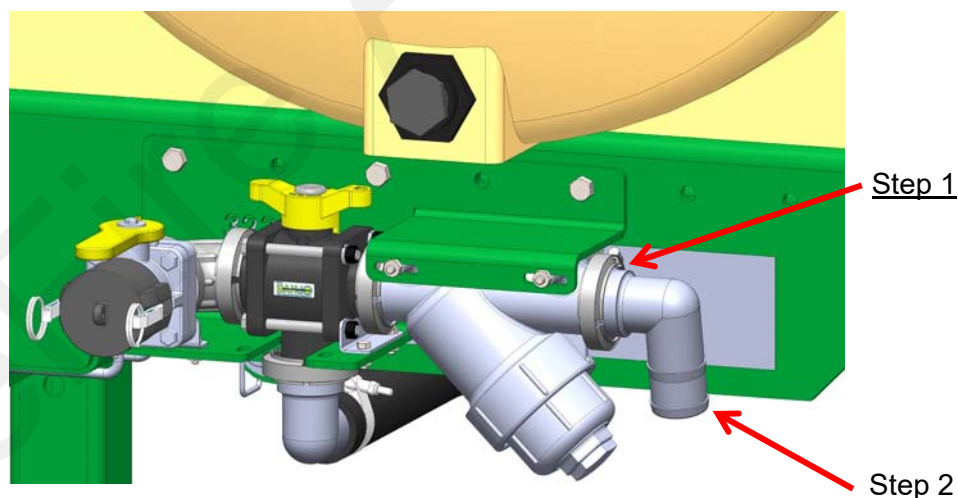
**Kit Description: Great Plains 1-1/2" Discharge Kit (D70/D115 Pumps)**

ITEM NO.	PART NUMBER	DESCRIPTION	QTY.
1	105-150G	1 1/2" EPDM Gasket	1
2	105-200150BRB90	2" Manifold x 1-1/2" HB - 90 Degree	1
3	105-FC200	2" Manifold Clamp	1
4	280-150-ENF	1-1/2" Enforcer Fertilizer Solution Hose - 15ft	1
5	350-TC181	T-Bolt Hose Clamp - 1.81 - 2.06" Diameter (fits 1 1/2" Enforcer, Wire Braided or AG200)	1

**Kit Number: 520-00-303700**

**Kit Description: Great Plains 2" Discharge Kit (D160/D250 Pumps)**

ITEM NO.	PART NUMBER	DESCRIPTION	QTY.
1	105-150G	1 1/2" EPDM Gasket	1
2	105-200BRB90	2" Manifold x 2" HB - 90 Degree	1
3	105-FC200	2" Manifold Clamp	1
4	280-200-ENF	2" Enforcer Fertilizer Solution Hose - 15ft	1
5	350-TC231	T-Bolt Hose Clamp - 2.31 - 2.62" Diameter (fits 2" Enforcer)	1



General Instructions:

1. Attach 90° hose barb fitting to fill kit strainer with manifold clamp and gasket.
2. Route 1-1/2" or 2" enforcer hose to pump inlet hose barb.