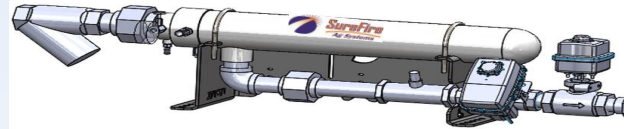




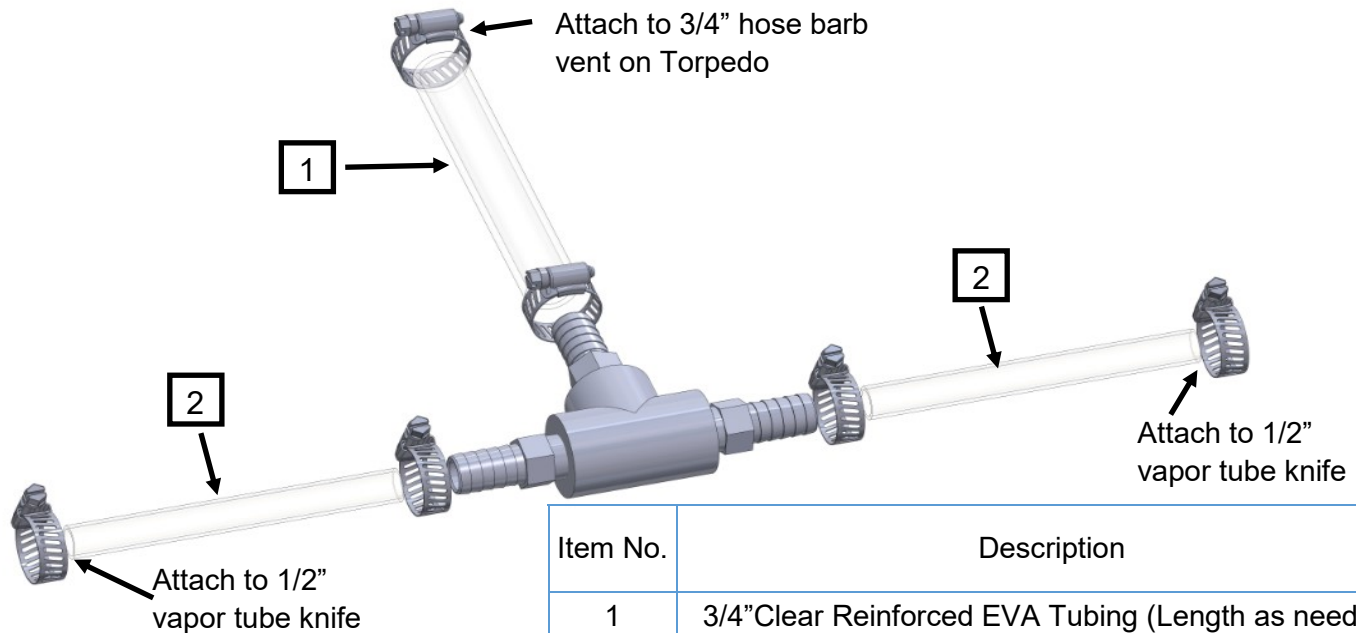
396-3198Y1

Changing 3/4" vapor tube to (2) 1/2" vapor tubes



For SureFire Ag Systems Torpedo NH3 Application System

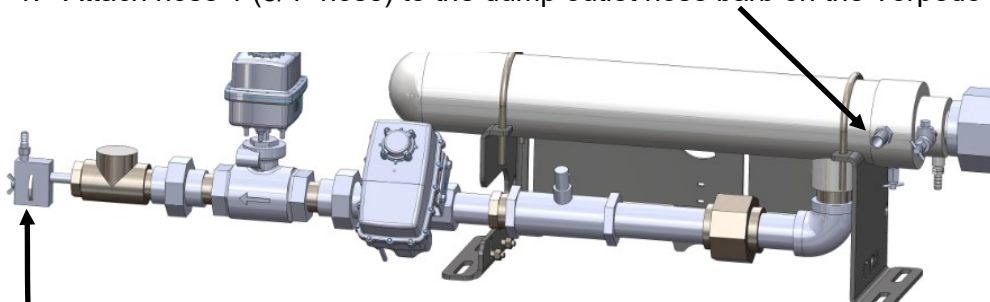
Kit Number: 159-12-100100 Torpedo Vapor Kit—3/4" to (2) 1/2" Tubes



Item No.	Description
1	3/4" Clear Reinforced EVA Tubing (Length as needed)
2	1/2" Clear Reinforced EVA Tubing (Length as needed)

The Torpedo heat exchanger has (2) 3/4" dump outlet hose barbs near the inlet end to vent the vapor that is used to cool the heat exchanger. Each of these hose barbs can be connected to a 3/4" hose that will be connected to a vapor tube on a knife. Some applicators prefer to split each of these 3/4" vapor hoses to (2) 1/2" hoses so that the vapor is sent through four vapor tubes to the ground. Two of these kits are needed to convert from (2) 3/4" vapor tubes to (4) 1/2" vapor tubes.

1. Attach hose 1 (3/4" hose) to the dump outlet hose barb on the Torpedo Heat Exchanger.



2. Attach each hose 2 (1/2" hose) to the end of the vapor tube knife on the applicator shank. Vapor tube knives should be substantially equally spaced across the toolbar.

3. To minimize the amount of

vapor that is output through the vapor tube knives, use the appropriate orifice on the adjustable dump orifice assembly.

