



# 396-3195Y1

## Case iH Nutri-Tiller 940/950/955

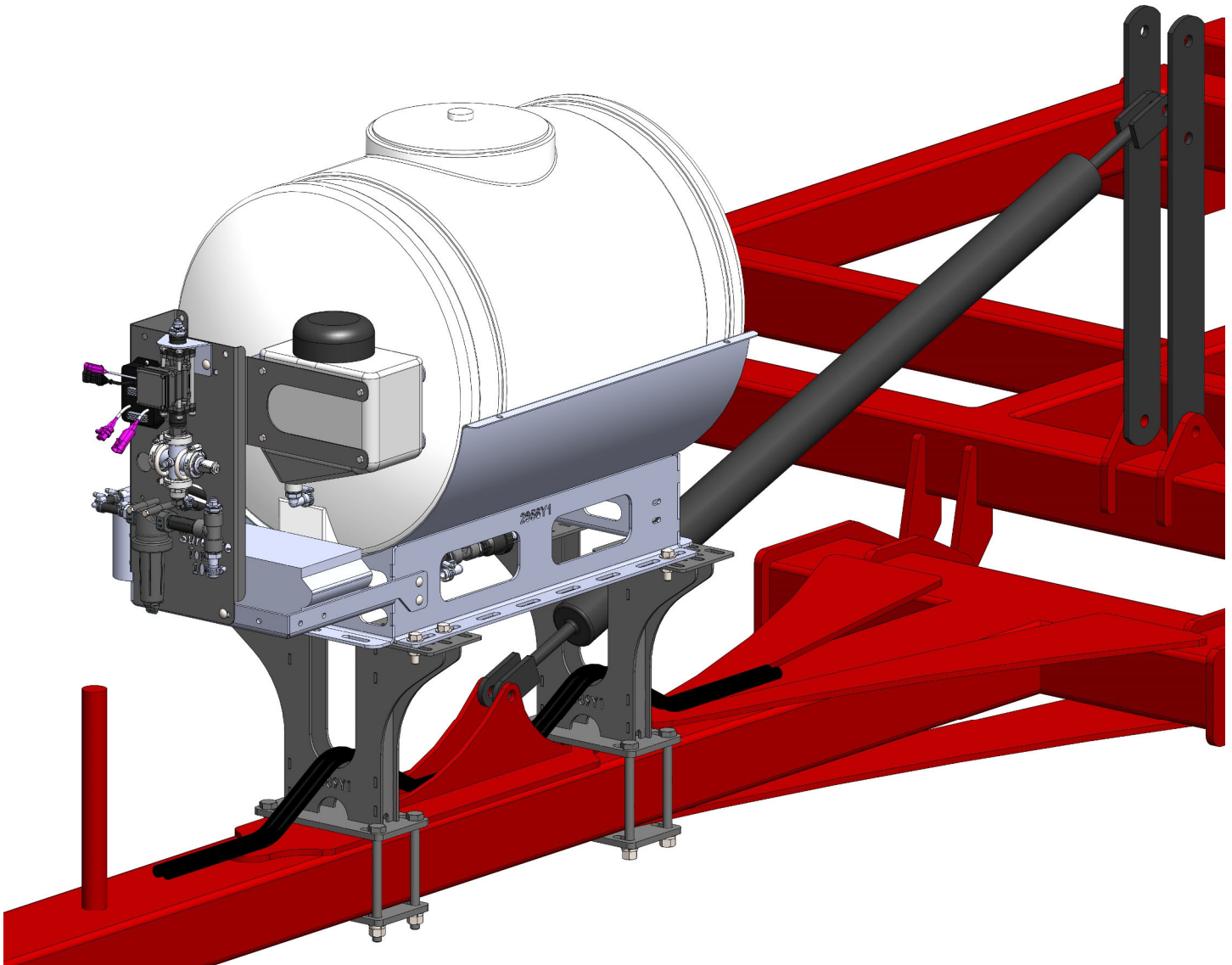
### 24 Row—60' Wide

### Hitch Mounted Tank Instructions

# CASE IH

AGRICULTURE

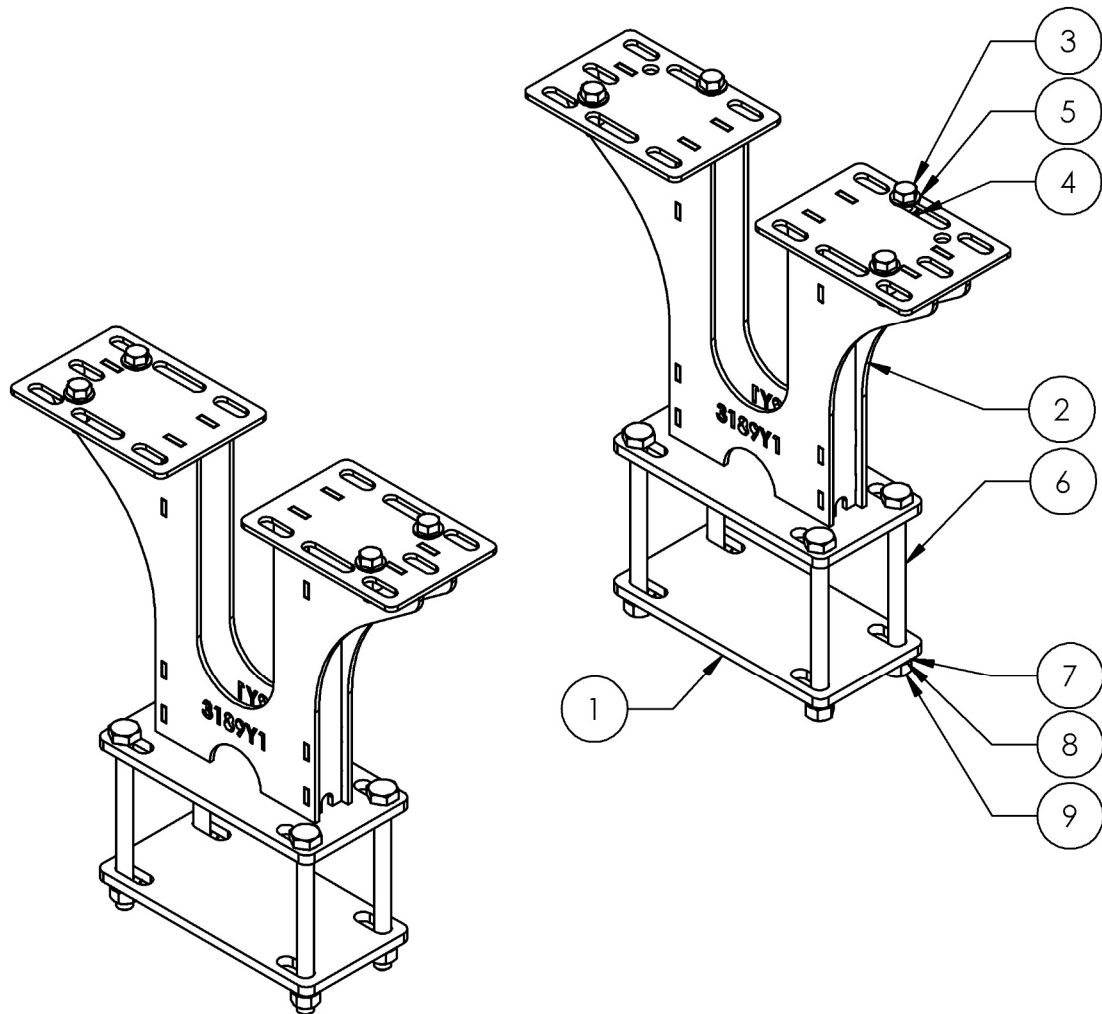
Kit Number: 516-02-100500





# Parts List and Exploded View

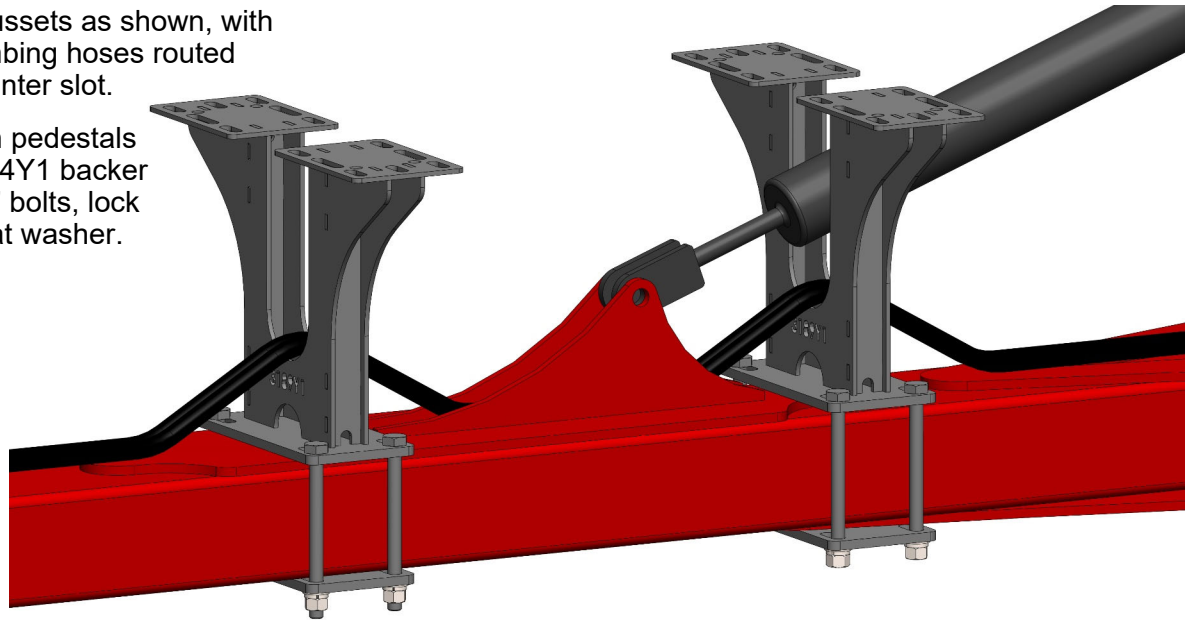
ITEM NO.	PART NUMBER	DESCRIPTION	QTY.
1	420-3184Y1-BK	Case 940/950 Front Hitch Pedestal - Bolt Plate	2
2	420-3189Y1-BK	Case 940/950 Front Hitch Pedestal	2
3	300-100108-5	5/8" x 1-1/2" Hex Head Bolt - G5	8
4	323-10	5/8" Flange Nut - G5	8
5	330-10	5/8" Flat Washer - G5	8
6	300-120900-8	3/4" x 9" Hex Head Bolt - G8	8
7	330-12-8	3/4" Flat Washer - G8	8
8	331-12-8	3/4" Lock Washer - G8	8
9	320-12-8	3/4" Nut - G8	8



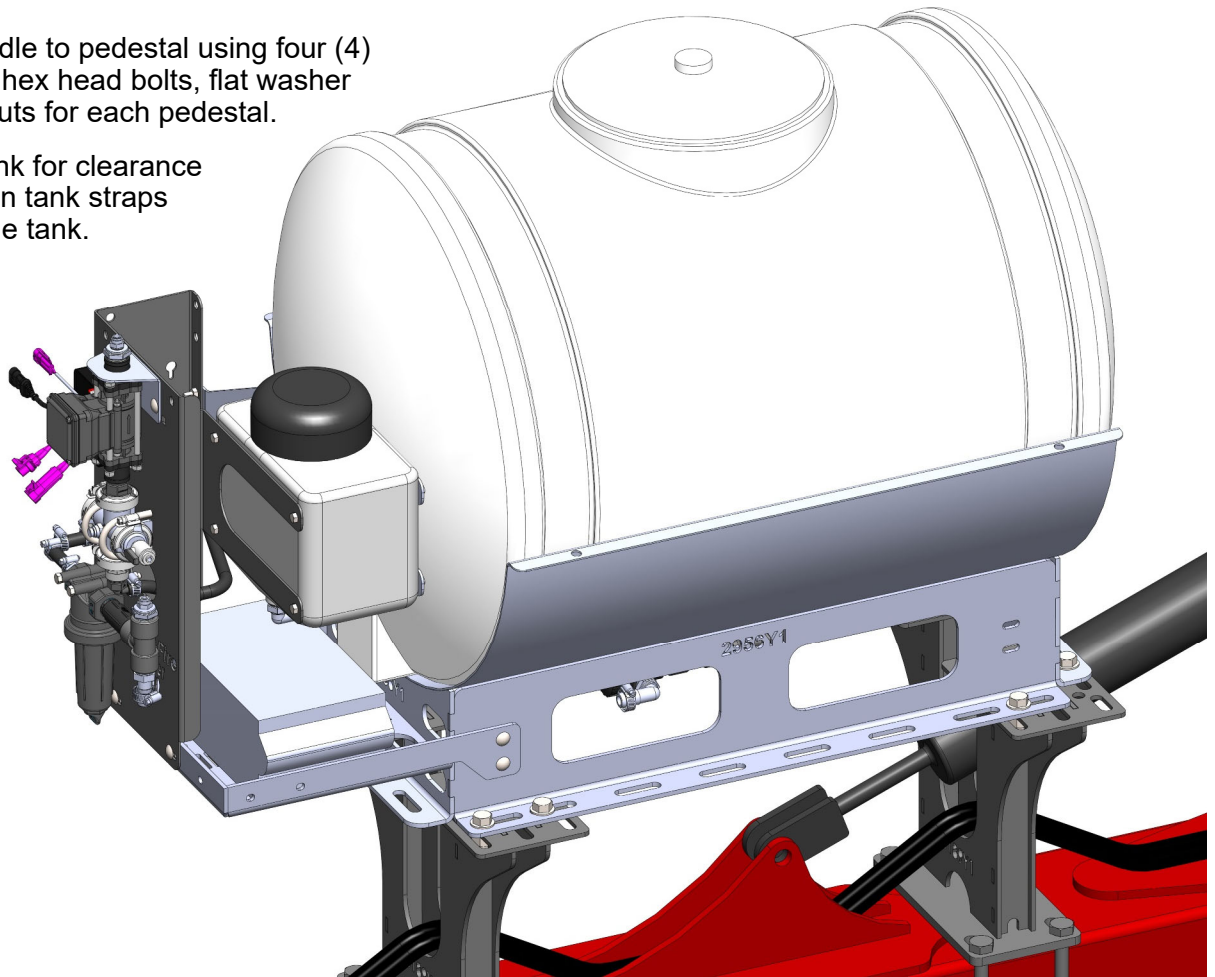


# Step by Step Instructions

1. Position pedestals on each side of leveling bar gussets as shown, with hydraulic plumbing hoses routed through the center slot.
2. Loosely attach pedestals using 400-3184Y1 backer plate, 3/4" x 9" bolts, lock washer and flat washer.



3. Bolt tank cradle to pedestal using four (4) 5/8" x 1-1/2" hex head bolts, flat washer and flange nuts for each pedestal.
4. Check for tank for clearance and re-tighten tank straps after filling the tank.

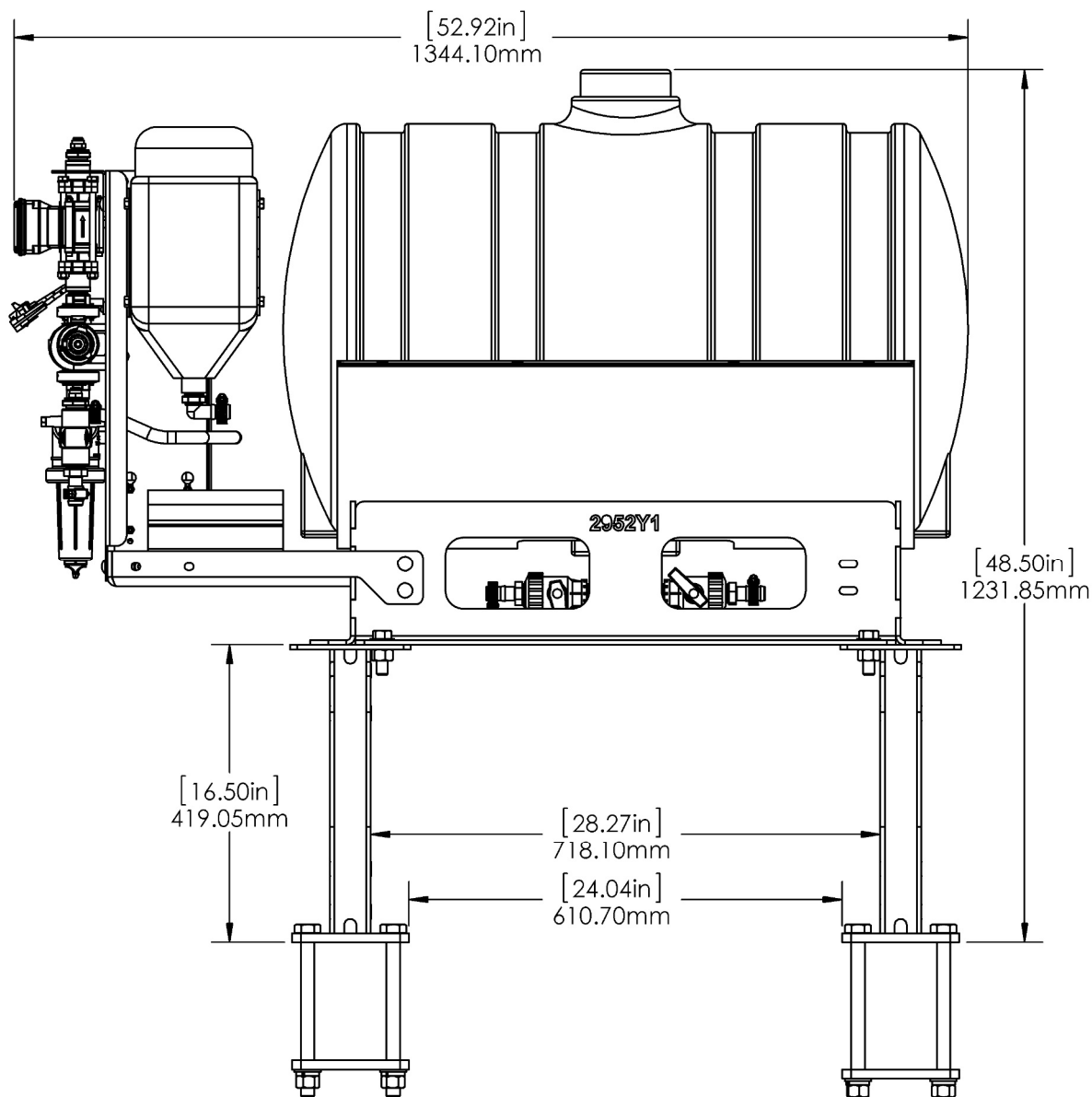




# General Dimensions SureFire Catalyst™ 55 System

## CATALYST

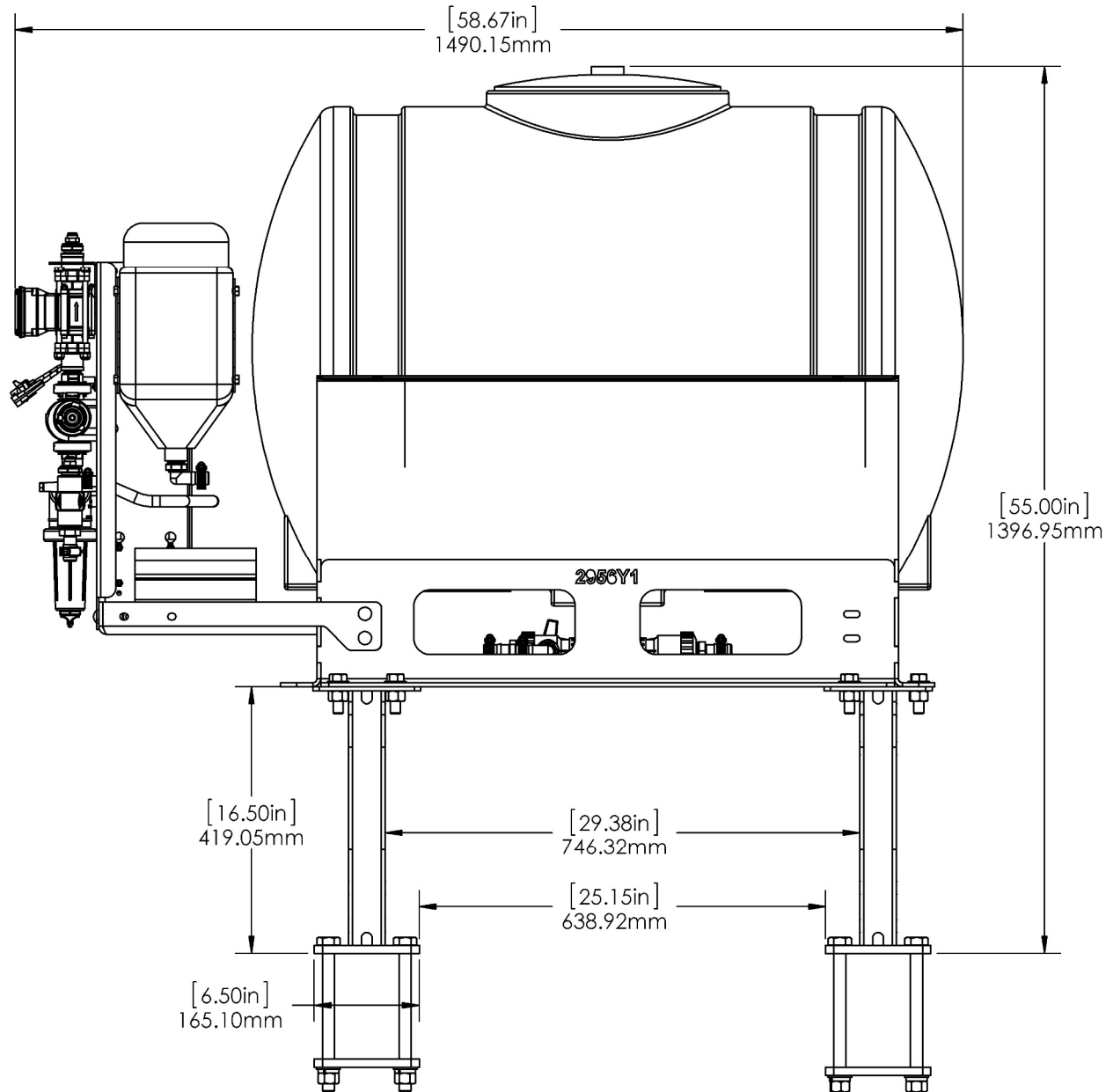
MICRO VOLUME APPLICATION SYSTEM





# General Dimensions SureFire Catalyst™ 110 System

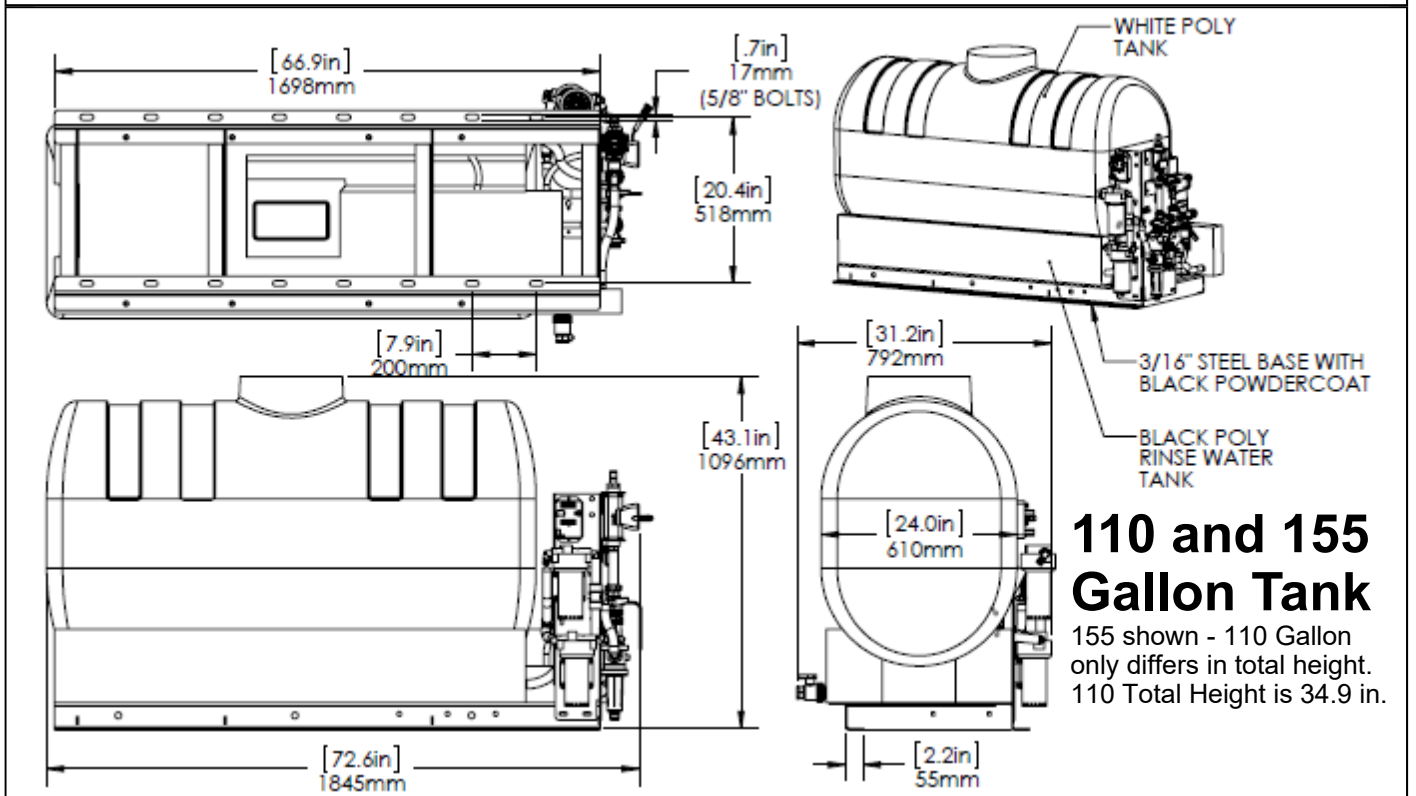
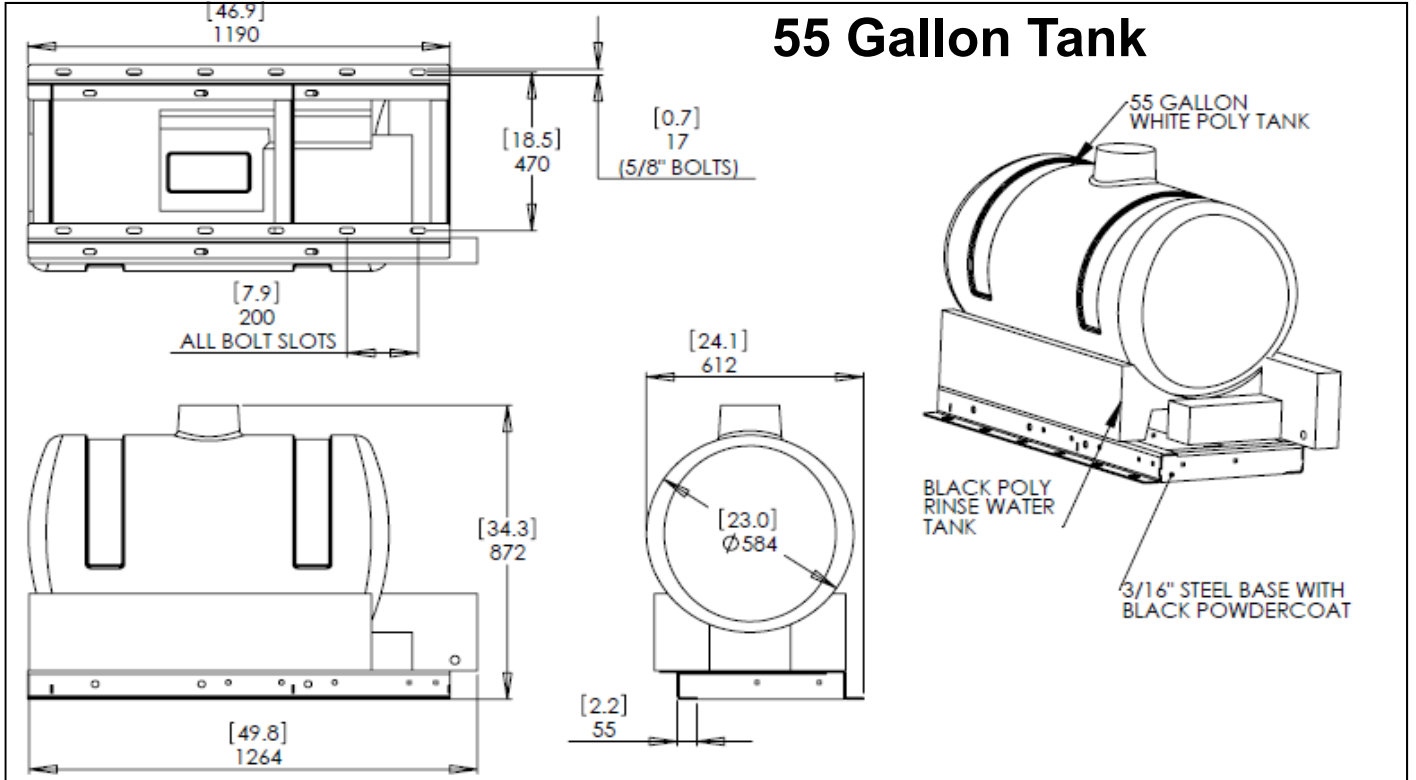
**CATALYST**  
MICRO VOLUME APPLICATION SYSTEM





# General Dimensions SureFire Accelerator Tanks

## 55 Gallon Tank



## 110 and 155 Gallon Tank

155 shown - 110 Gallon only differs in total height. 110 Total Height is 34.9 in.