



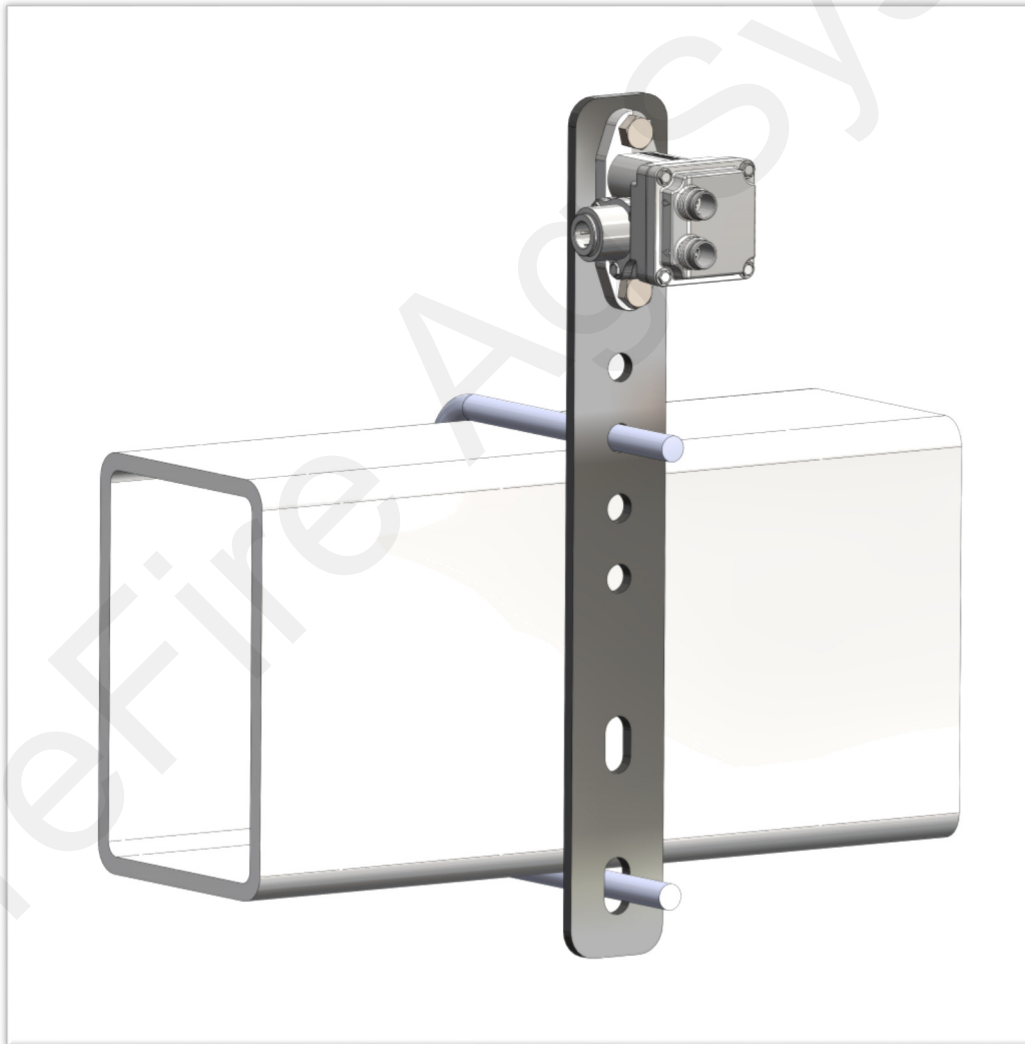
# 396-3194Y1

## Zip Valve Bracket

### Mounting Instructions

**Kit Number: 515-02-300150**

**Kit Description: Zip Valve Bracket w/ Hardware**



*(Plumbing fittings shown may vary)*

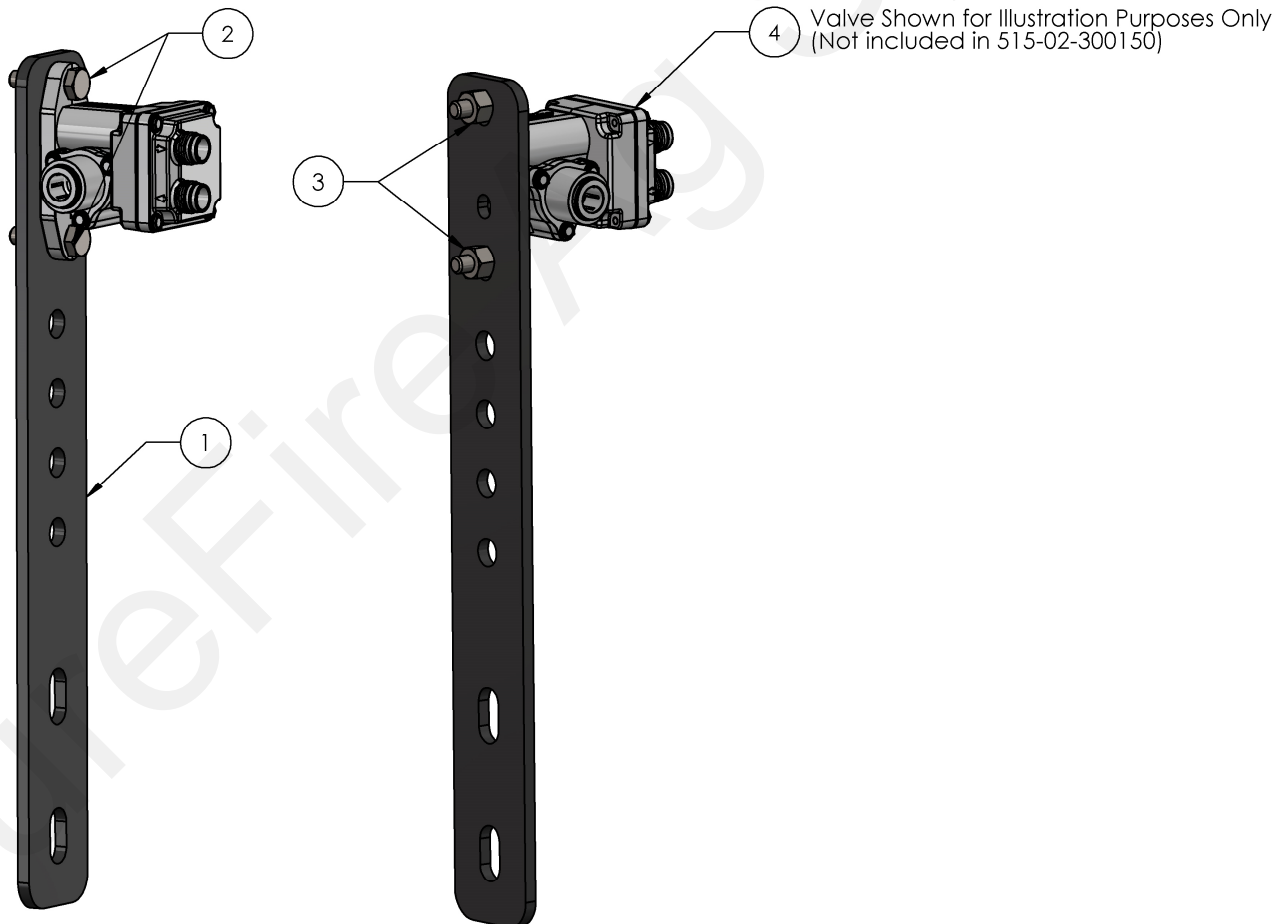


# Mounting Bracket Parts List

**Kit Number: 515-02-300150**

**Kit Description: Zip Valve Bracket w/ Hardware**

ITEM NO.	PART NUMBER	DESCRIPTION	Default/ QTY.
1	400-3182Y1	KZ & Hypro 3/8" Zip Valve Mount Bracket (Fits 3" to 7" Bar Sizes)	1
2	300-040100-SS	1/4" x 1" HCS SS	2
3	321-04	1/4" Nylock Nut	2
4	103-3156Y1	HOLD Zip Valve 1/4" Nylon, 2-way, stainless steel ball, 3/8" dual o-ring push to connect connections	1





# Step by Step Instructions

1. Fasten Zip Valve to Bracket (400-3182Y1) with the Included 1/4"X1" Bolts and Nylock Nuts.
2. Fasten Bracket to Desired Tool Bar on Implement using the Included 3/8" U-bolt and Flange Nut. (Note: Bracket will Mount 4" to 7" Tool Bar Sizes)
3. A second Zip Valve can be mounted on the backside of the bracket using the same hardware.

