



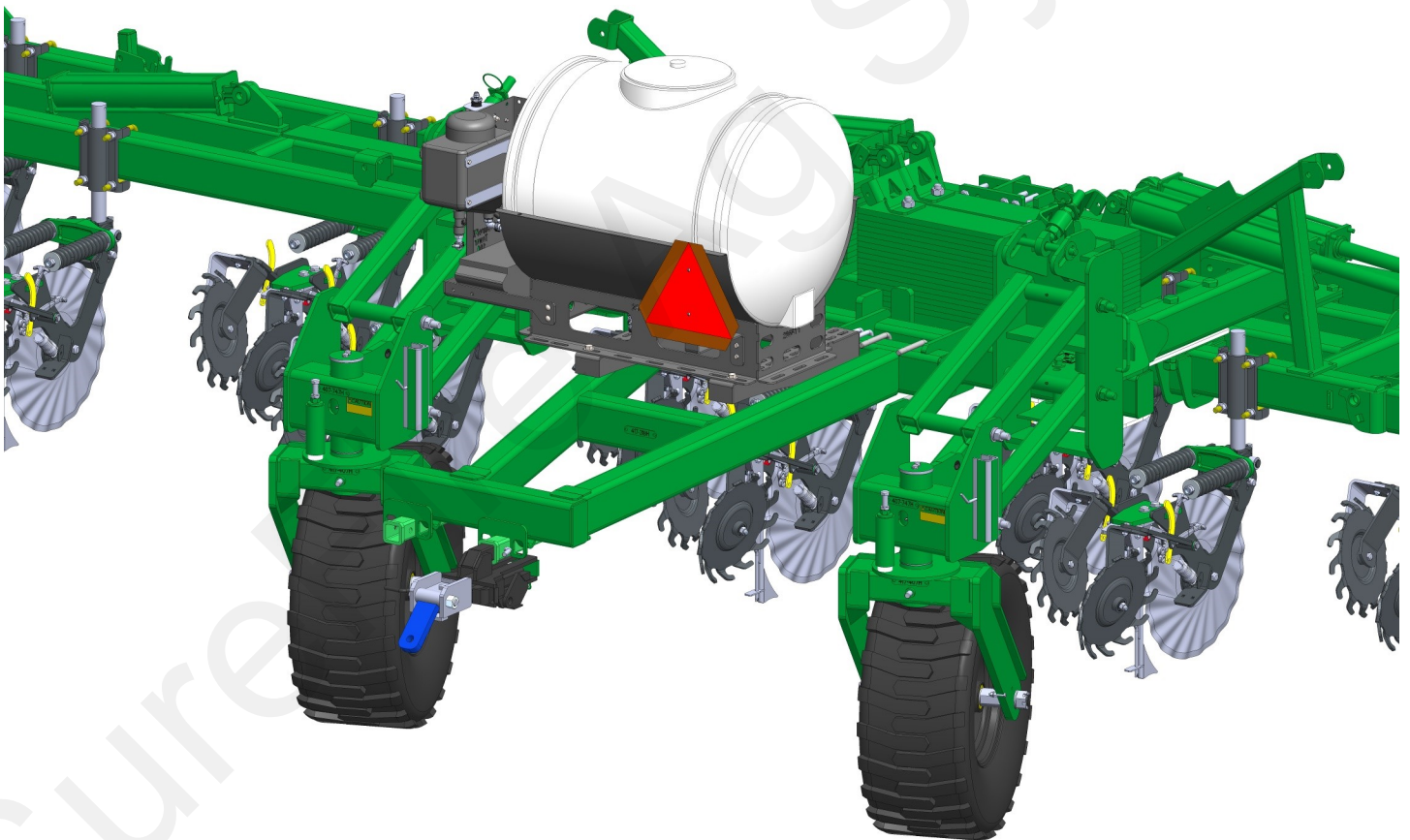
# 396-3160Y1

## Great Plains NutriPro® Rear Hitch Tank Mounting Kit Instructions

Applicator Manufacturer:



Kit Number: 528-04-150250

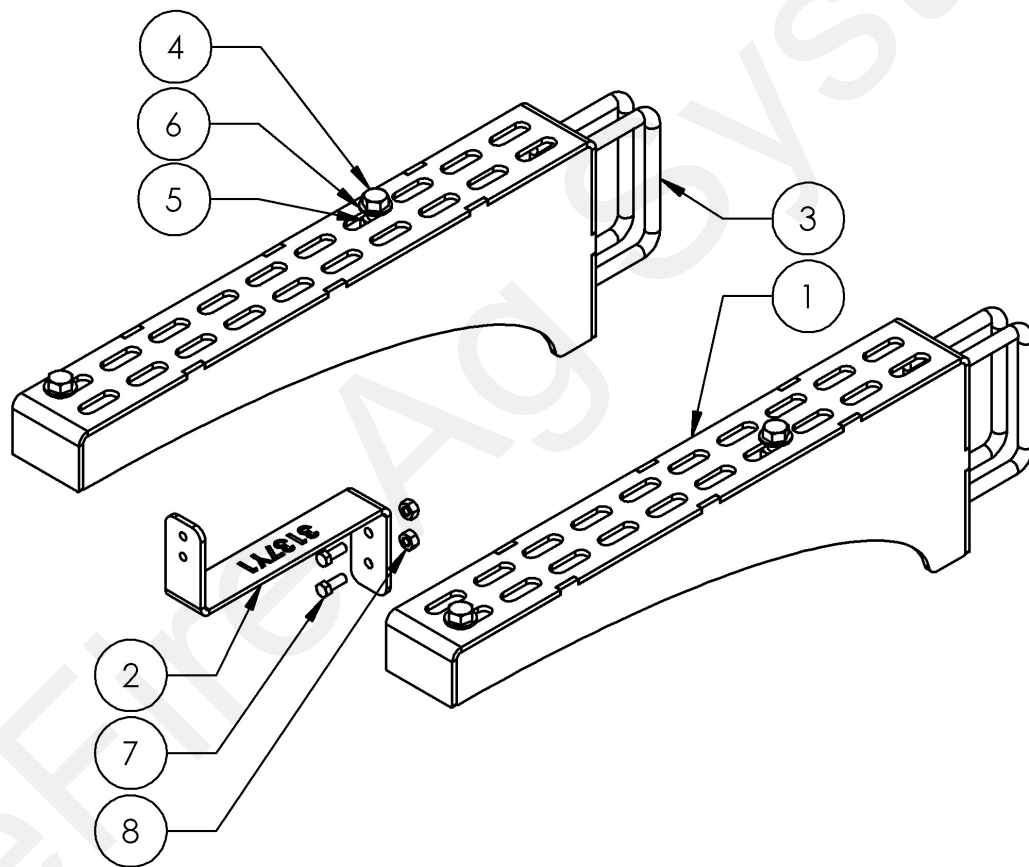


*For use with Great Plains NP2540, NP2330  
(Formerly NP3000 and NP4000)*



# Parts List and Exploded View

ITEM NO.	PART NUMBER	DESCRIPTION	QTY.
1	420-3171Y1-BK	Rear Frame Tank Mount	2
2	449-3137Y1	Rear Hitch Tank Mount - SMV Mounting Bracket	1
3	380-1046	5/8" x 6" x 5" Square Bend U-Bolt Kit	4
4	300-100108-5	5/8" x 1-1/2" Hex Head Bolt - G5	4
5	323-10	5/8" Flange Nut - G5	4
6	330-10	5/8" Flat Washer - G5	4
7	300-060100-5	3/8" x 1" Hex Head Bolt - G5	2
8	323-06	3/8" Flange Nut	2

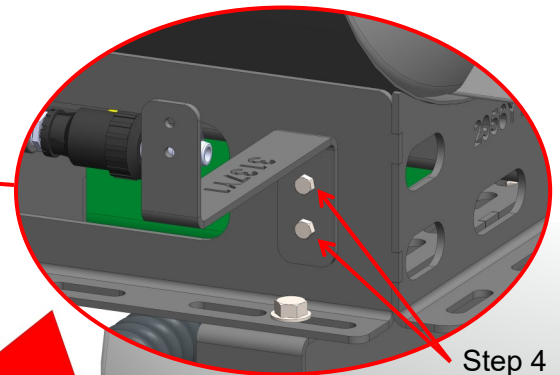
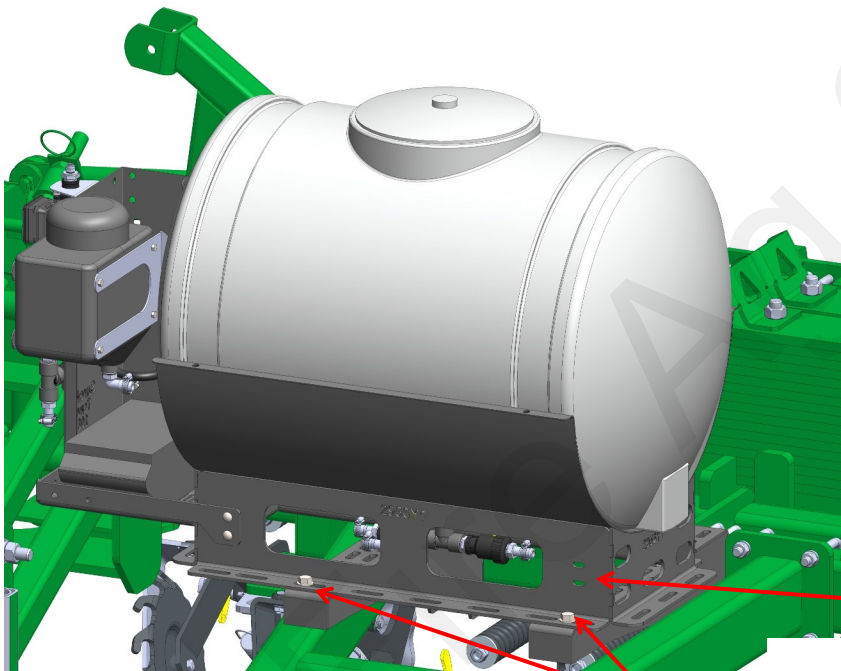
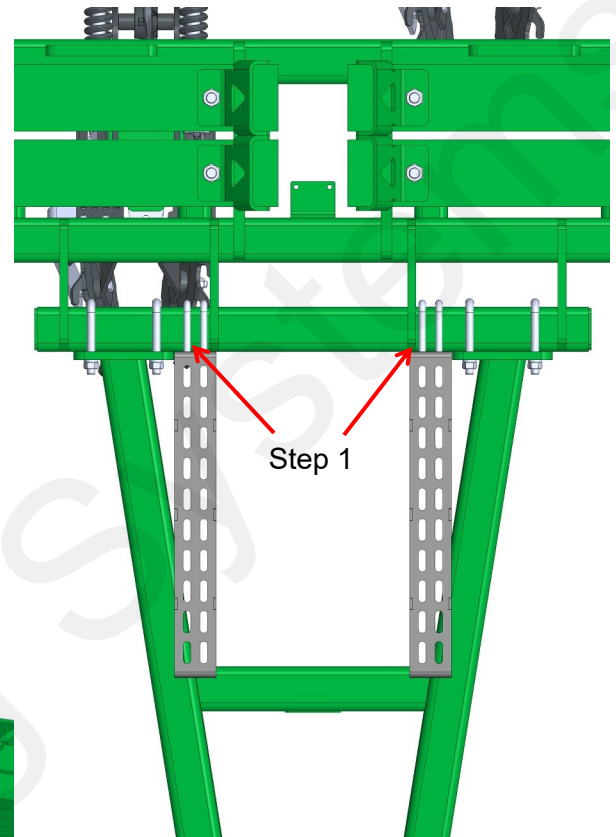




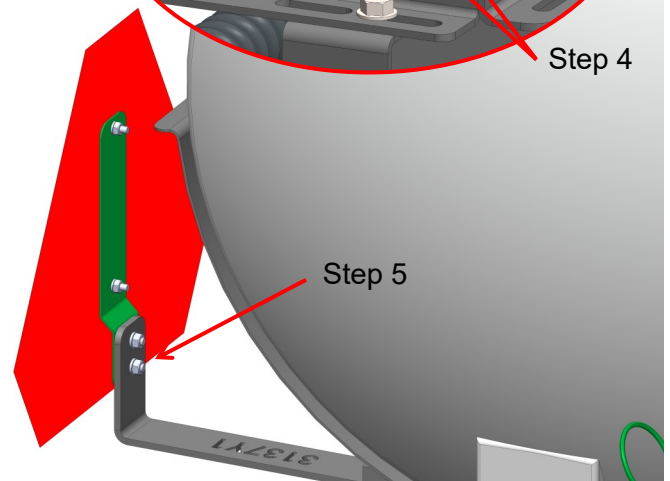
# Step by Step Instructions

Note: Installation of the tank in this configuration will typically cover up the slow moving vehicle sign. Parts have been provided to relocate this sign. Prior to installing the tank, remove the Great Plains slow moving vehicle assembly.

1. Using four (4) u-bolt kits provided, attach P/N 400-3171Y1 to rear frame as shown. Note: Bracket should touch the inside of the bolt plate of the rear hitch assembly.
2. Position tank assembly on the tank brackets and check for clearance with rear lift assist wheel assembly.
3. Fasten tank assembly to tank mounting brackets using four (4) 5/8" x 1-1/2" hex head bolts flat washers and flange nuts.



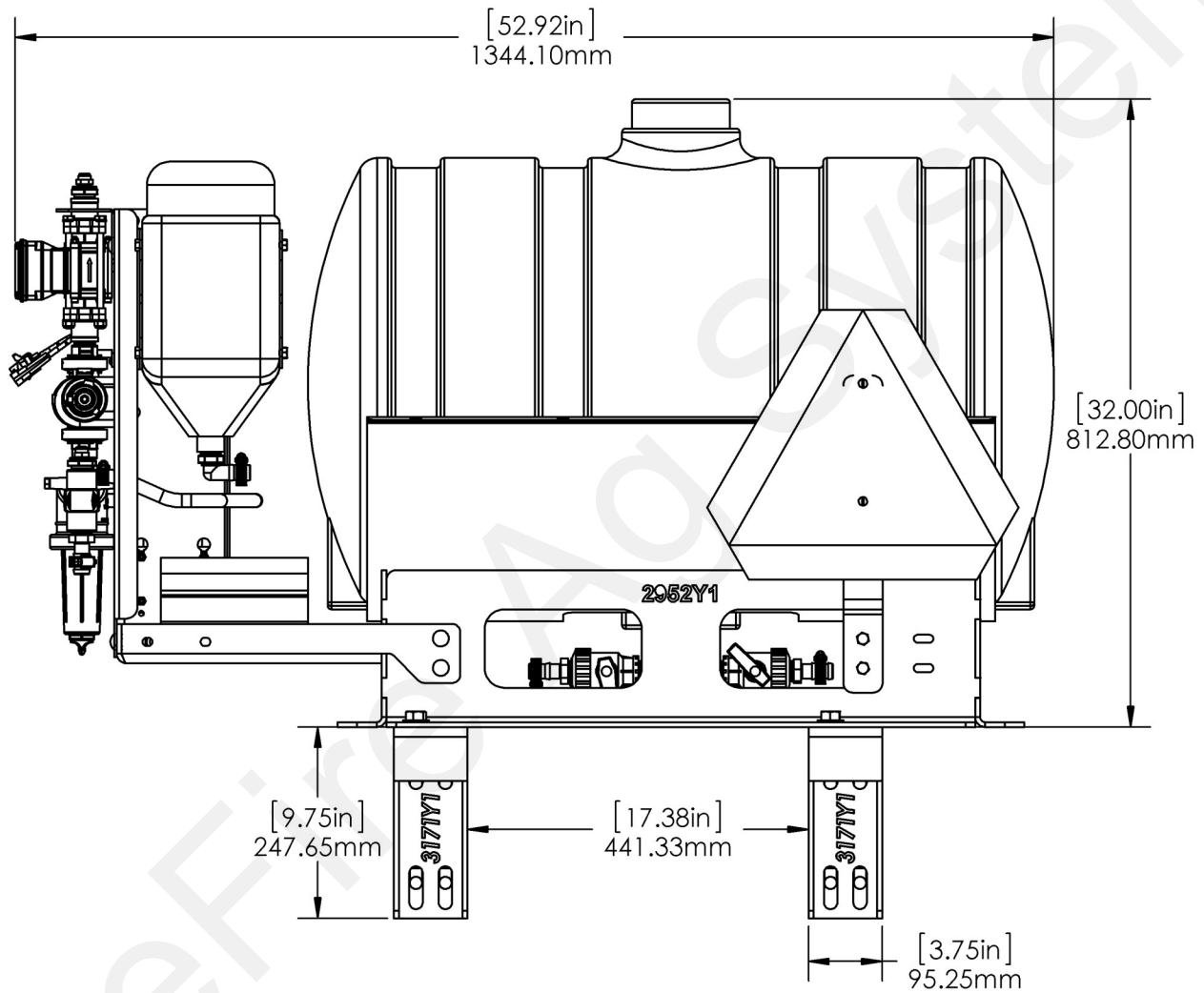
4. Fasten 449-3137Y1 to the tank cradle using two (2) 3/8" x 1" hex head bolts and flange nuts.
5. Remove the sign and sign bracket from the SMV assembly and fasten to 449-3137Y1 using the existing carriage bolts.
6. Re-tighten tank straps after filling the tank.





# General Dimensions SureFire Catalyst™ 55 System

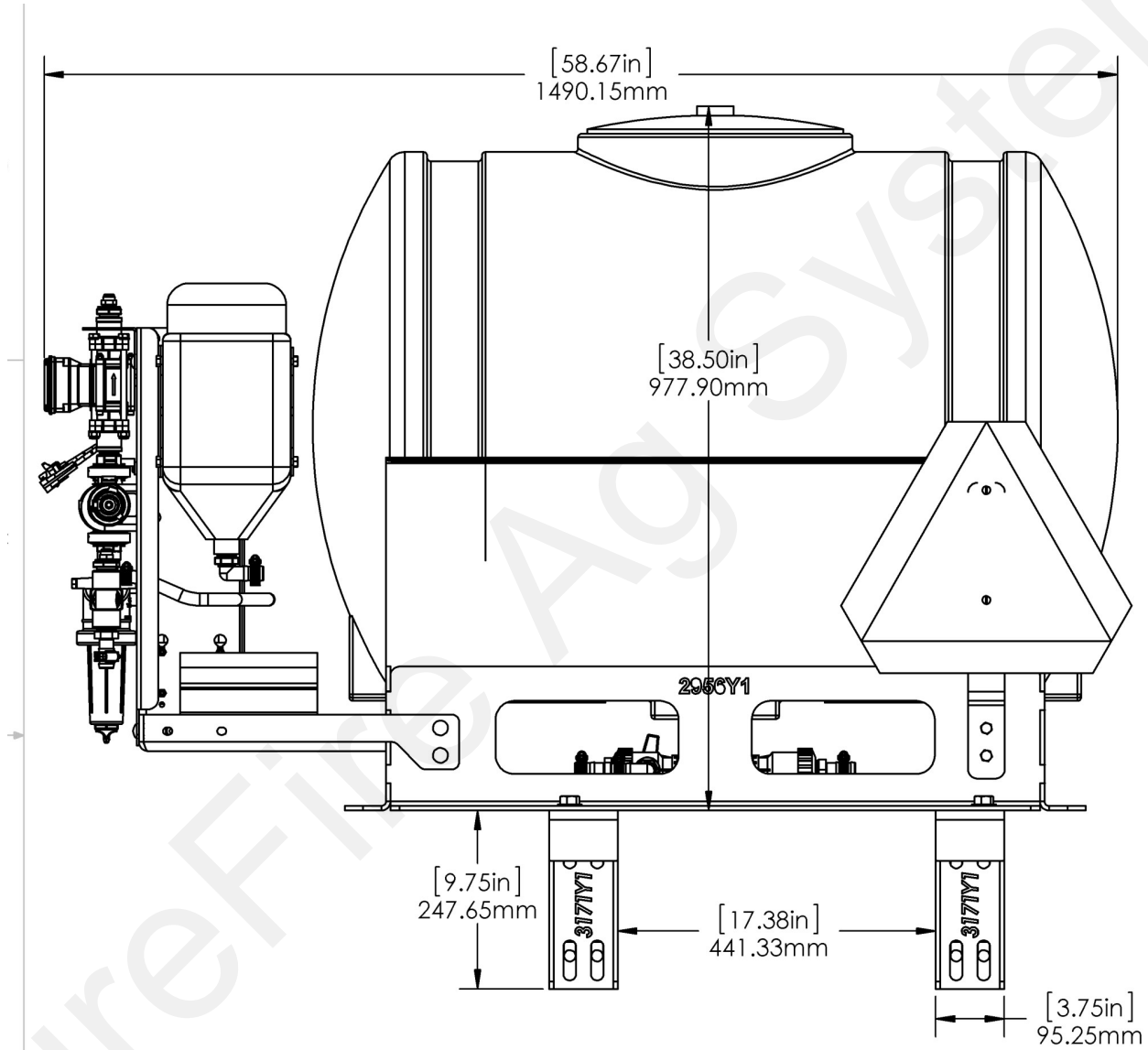
**CATALYST**  
MICRO VOLUME APPLICATION SYSTEM





# General Dimensions SureFire Catalyst™ 110 System

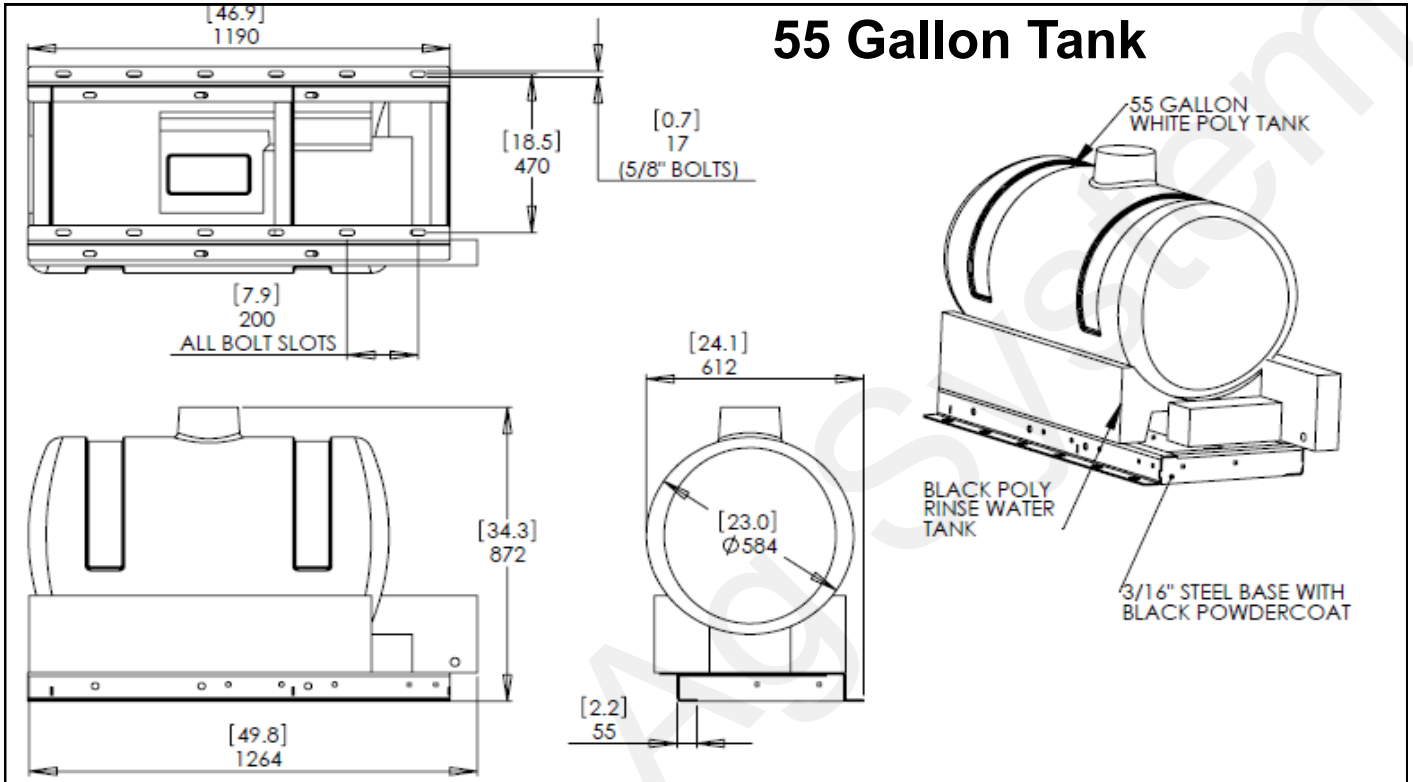
**CATALYST**  
MICRO VOLUME APPLICATION SYSTEM



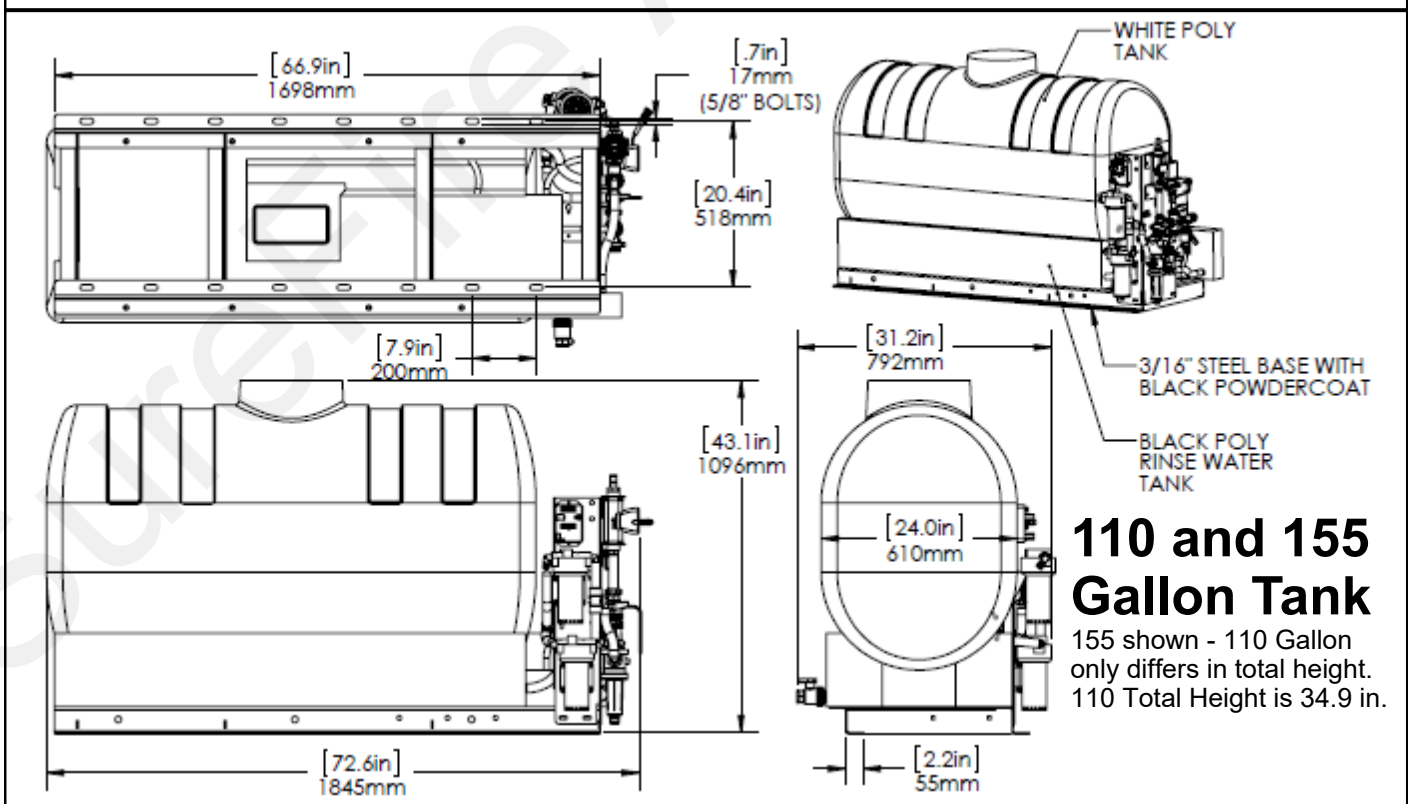


# General Dimensions SureFire Accelerator Tanks

## 55 Gallon Tank



## 110 and 155 Gallon Tank



155 shown - 110 Gallon only differs in total height. 110 Total Height is 34.9 in.