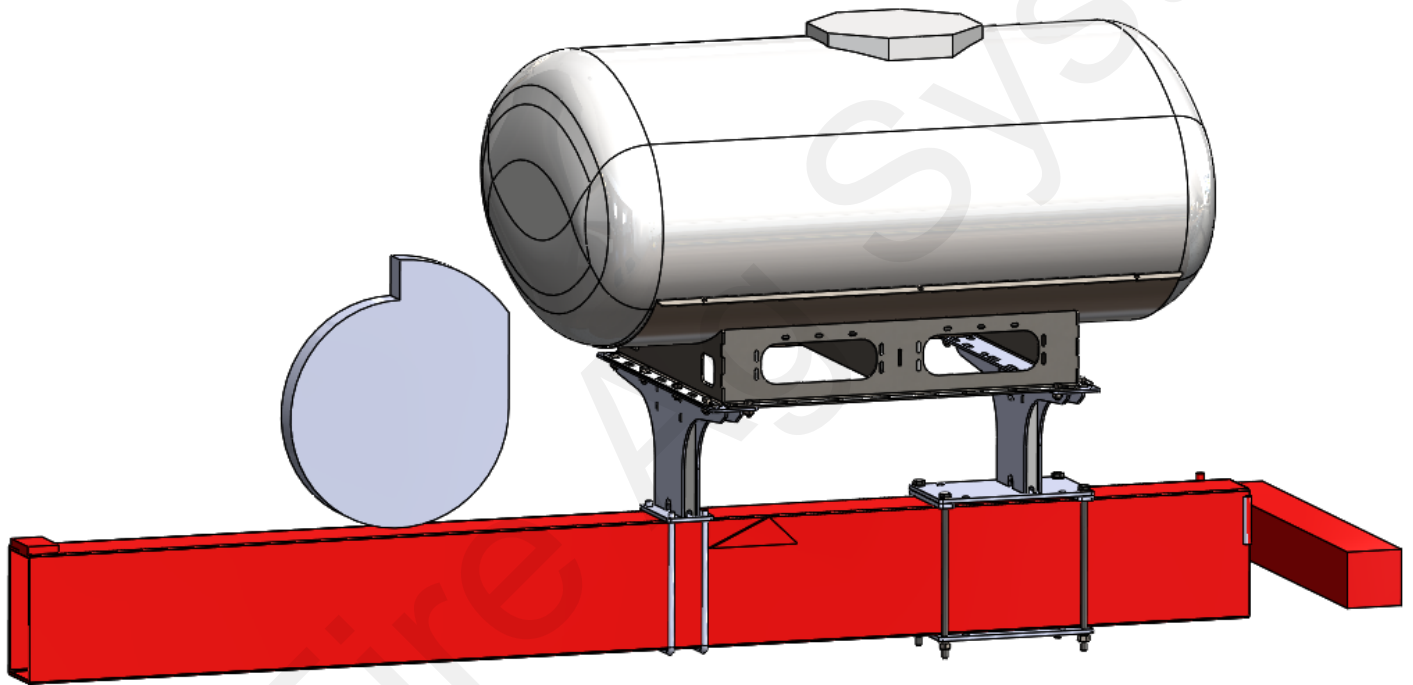




# 396-3095Y1

## Case iH 24 Row 1250 Planter 500 Gallon Elliptical Tank Mounting

Kit Number: 530-02-150500

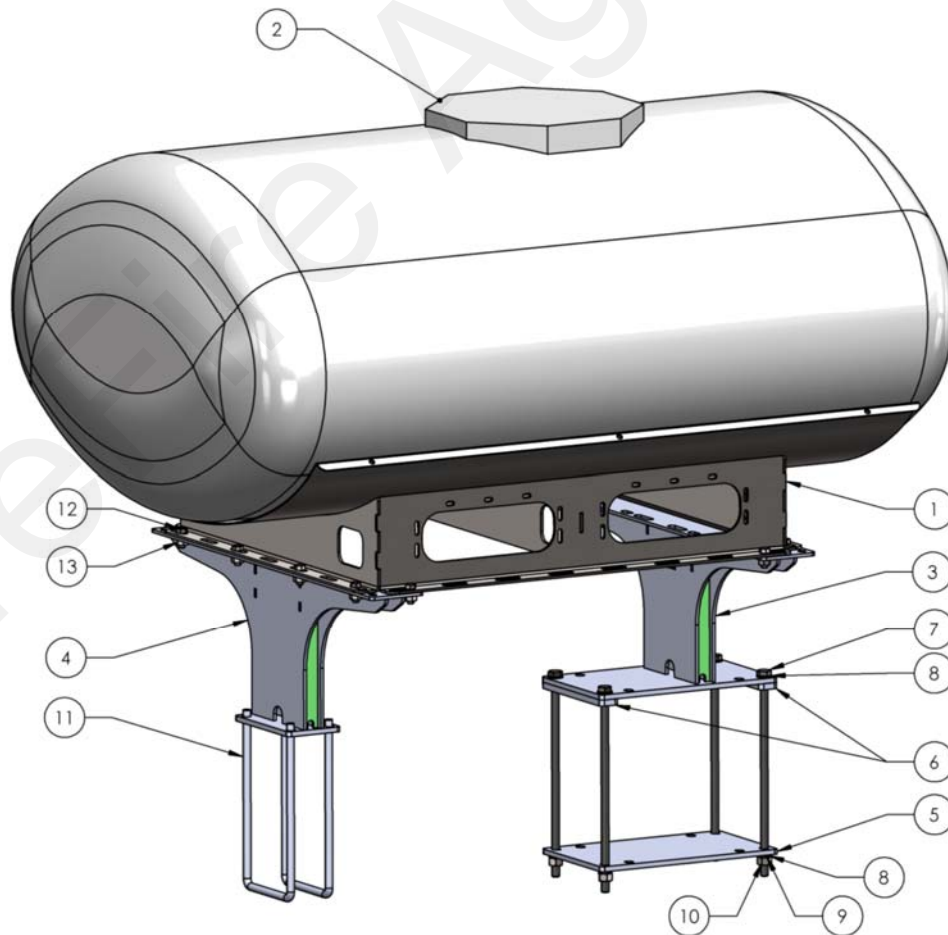




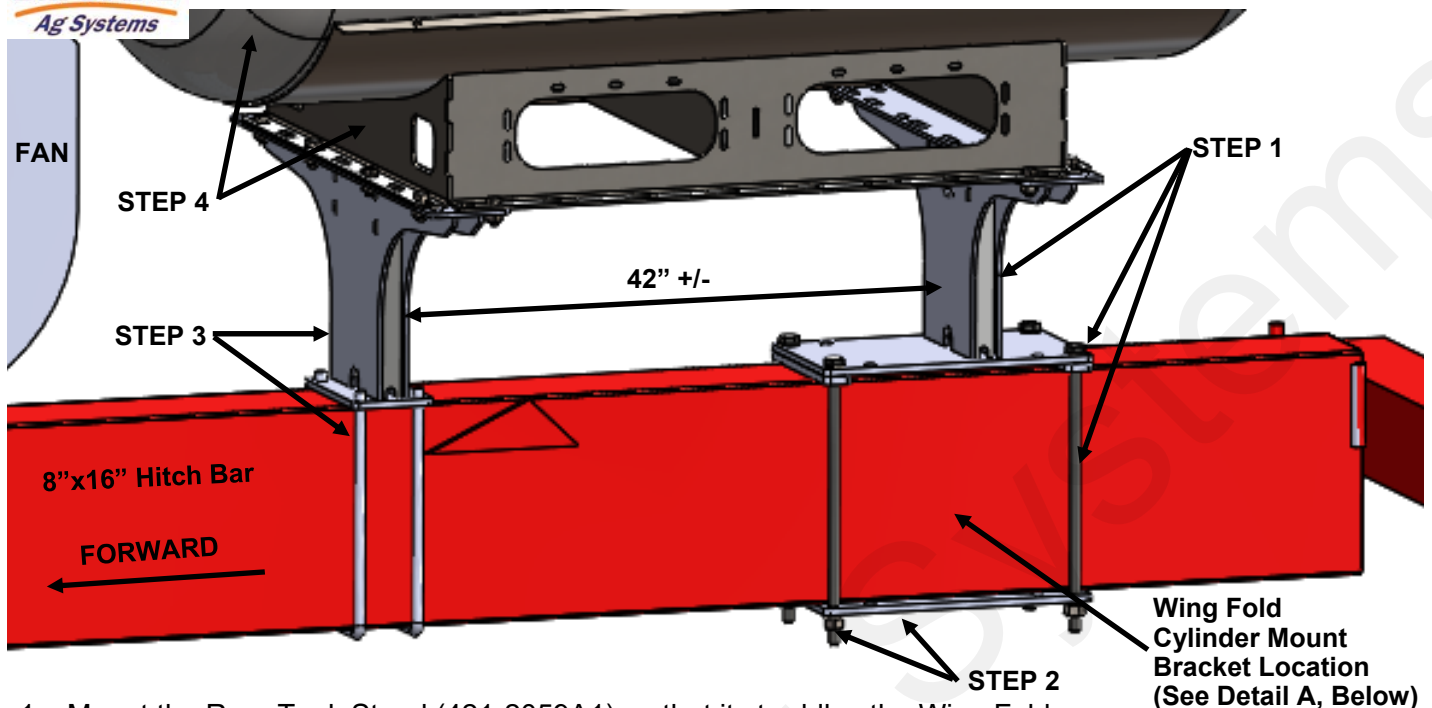
# Parts List and Exploded View

**Kit Number: 530-02-150500 (500 Gallon Elliptical Tank)**

ITEM NO.	PART NUMBER	DESCRIPTION	QTY.
1	421-1329A2	500 Gallon Elliptical Cradle	1
2	727-01-HE00500SWSS	Elliptical Tank - 500 Gallon - White - Side Sump	1
3	421-2059A1	Large Base Planter Hitch Mount for Tank Cradle (500 gallon on CaseIH 24R30 requires one of this part)	1
4	421-2020A1	Planter Hitch Mount for Tank Cradle (400 or 500 gallon)	1
5	421-2058A1	Bolt Plate	1
6	421-2274Y1	Spacer Plate, CaseIH 24R30 Rear Tank Bracket	2
7	300-122000-8	3/4"-10 x 20" HCS G8	4
8	330-12	3/4" Flat Washer	8
9	331-12	3/4" Lock Washer	4
10	323-12	3/4" Flange Nut	4
11	380-1067	3/4" x 8" x 17-1/2" Square Bend U-Bolt	2
12	300-100108-5	5/8" x 1-1/2" HCS G5	12
13	323-10	5/8" Flange Nut	12
14	525-3000	3" Tank Strap Kit for 400 - 1000 gal tank (one strap per	3



# Step by Step Instructions



1. Mount the Rear Tank Stand (421-2059A1) so that it straddles the Wing Fold Cylinder Mount Bracket (See Detail A, Below) attached to the 8"x16" Hitch Bar towards the rear. Place the Spacer Brackets (421-2274Y1) underneath the Rear Tank Stand as shown in picture above. Insert 3/4"x20" Long Bolts with Washers through Rear Tank Stand and Spacer Brackets.
2. Lift the Bolt Plate (421-2058A1) up to bottom of Hitch Bar making sure all four 20" long Bolts go through the hole openings of the Bolt Plate. Use the supplied 3/4" Washers, Lock washers and Flange Nuts. Leave the Nuts loose to allow for adjustment in Step 4.
3. Mount the Front Tank Stand (421-2020A1) 42" from rear tank stand (Inside to Inside, see picture above) with the supplied Square Bend U-bolts (380-1067) as shown in picture above. Do not fully tighten U-bolts to allow for adjustment in Step 4.
4. Mount the Tank Cradle (421-1329A2) to the Tank Stands as shown in picture above with the provided 5/8" Bolts (300-100108-5) and Flange Nuts (323-10). Place the 500 Gal Elliptical Tank onto the cradle and center. Strap down and tighten the tank with the 3 provided straps (The straps will need to be re-tightened after the tank is filled). Once the Cradle and Tank is in its desired location, fully tighten all Nuts and Bolts.



**DETAIL A**