



# 396-3088Y1

## John Deere 1760/1765

### Tank Mounting Kit Instructions

Planter Manufacturer:



**JOHN DEERE**

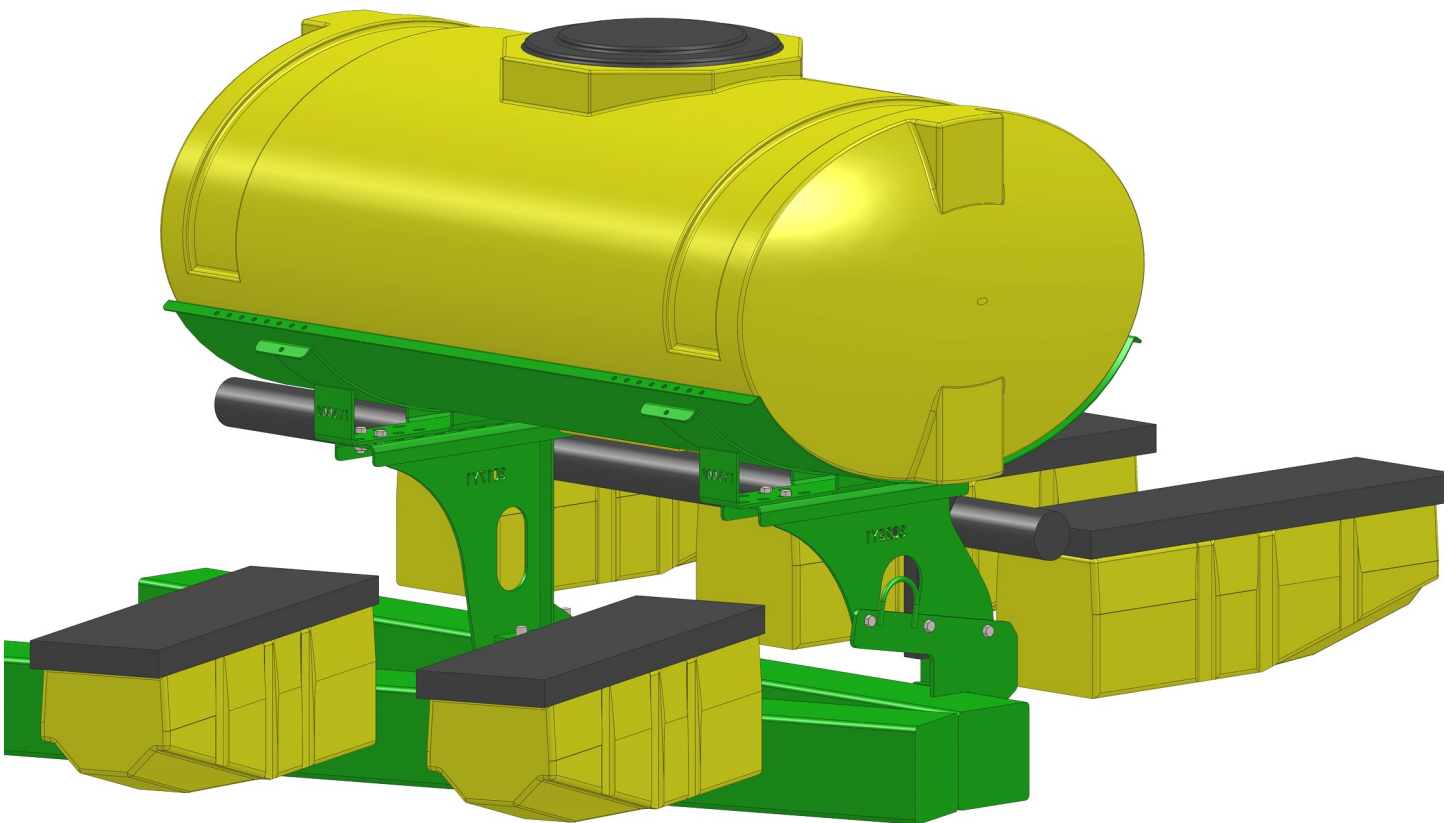
**Kit Number:**

**530-01-550250 - 12 Row 1760 Wing Mounted Tank Kit - 150 Gallons**

**530-01-550500 - 12 Row 1760 Wing Mounted Tank Kit - 200 Gallons**

**530-01-550275 - 12 Row 1765 Wing Mounted Tank Kit - 150 Gallons**

**530-01-550575 - 12 Row 1765 Wing Mounted Tank Kit - 200 Gallons**

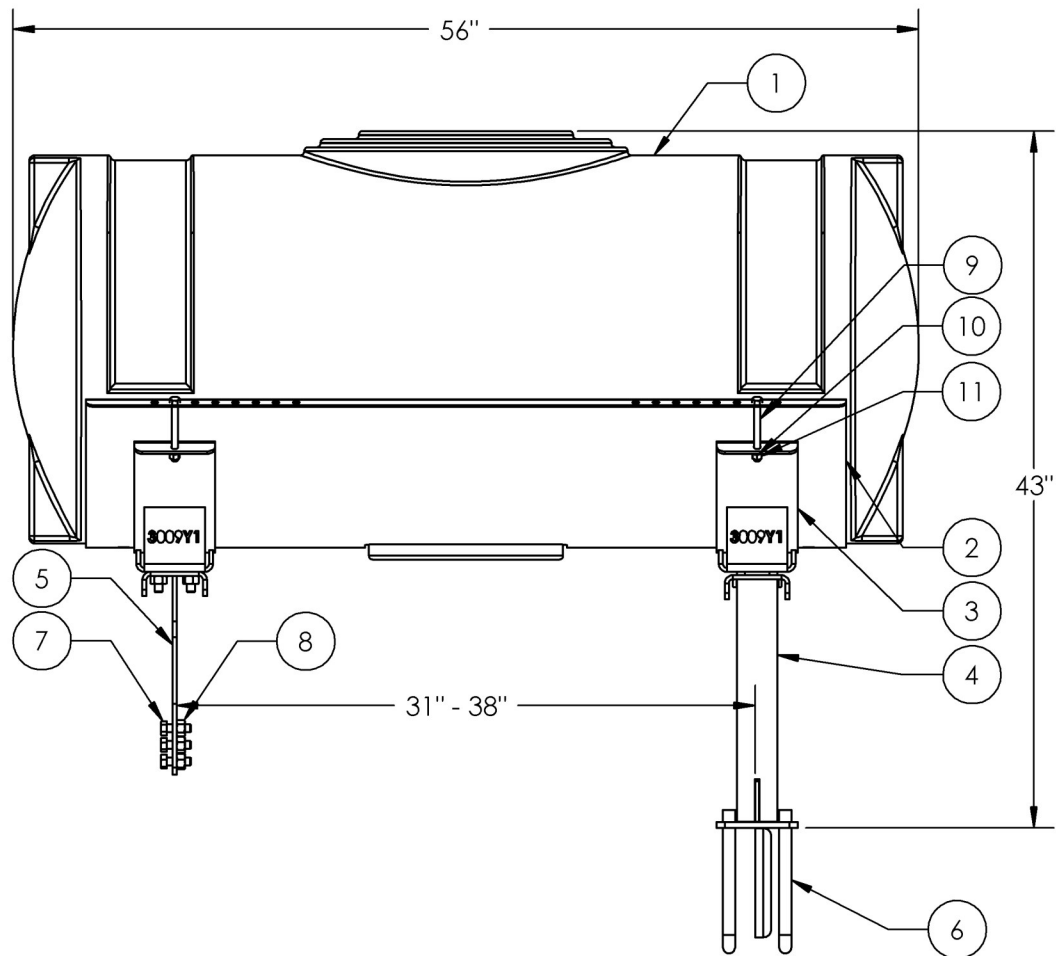




# Parts List

## Kit 530-01-550250

ITEM NO.	PART NUMBER	DESCRIPTION	QTY.
1	727-01-RAV150E	Elliptical Tank - 150 Gallon - Yellow	1
2	420-3001Y1	150 Gallon Elliptical Tank Support Sheet	1
3	420-3009Y1	150 Gallon Elliptical Tank Saddle	2
4	420-3017Y1	Offset Bar Mount for 100-200 Gallon Tank	1
5	420-3025Y1	JD 1760 Outer Tank Mounting Bracket	1
6	380-1060	3/4" x 7" x 8-1/2" Square Bend U-Bolt	2
7	300-080108-5	1/2" x 1-1/2" Hex Head Bolt - G5	11
8	323-08	1/2" Flange Nut	11
9	300-060400-5	3/8" x 4" Hex Head Bolt - G5	4
10	330-06	3/8" Flat Washer	4
11	321-06	3/8" Nylock Nut	4
12	525-2055	2" Tank Strap Kit	2

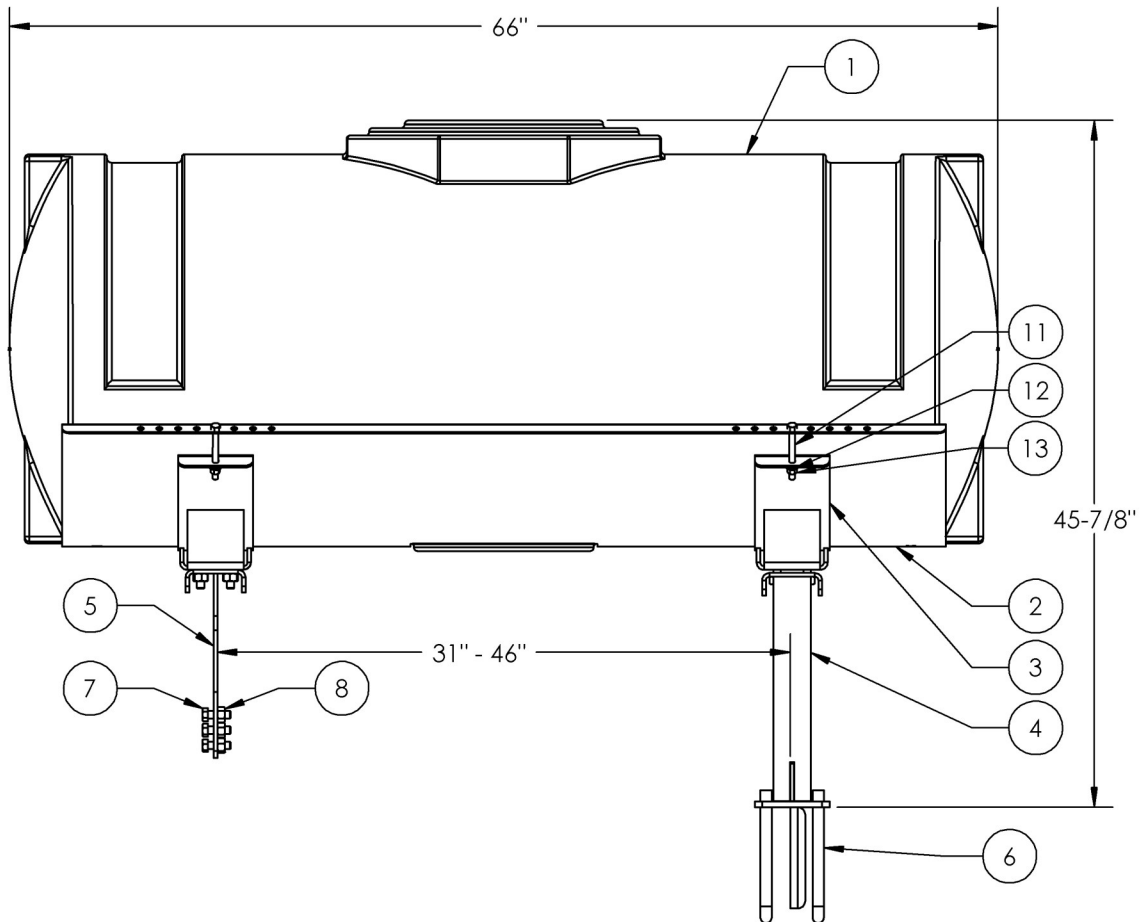




# Parts List

## Kit 530-01-550500

ITEM NO.	PART NUMBER	DESCRIPTION	QTY.
1	727-01-NOR200E	Elliptical Tank - 200 Gallon - Yellow	1
2	420-3000Y1	200 Gallon Elliptical Tank Support Sheet	1
3	420-3006Y1	200 Gallon Elliptical Tank Saddle	2
4	420-3017Y1	Offset Bar Mount for 100-200 Gallon Tank	1
5	420-3025Y1	JD 1760 Outer Tank Mounting Bracket	1
6	380-1060	3/4" x 7" x 8-1/2" Square Bend U-Bolt	2
7	300-080108-5	1/2" x 1-1/2" Hex Head Bolt - G5	11
8	323-08	1/2" Flange Nut	11
9	300-060400-5	3/8" x 4" Hex Head Bolt - G5	4
10	330-06	3/8" Flat Washer	4
11	321-06	3/8" Nylock Nut	4
12	525-2055	2" Tank Strap Kit	2

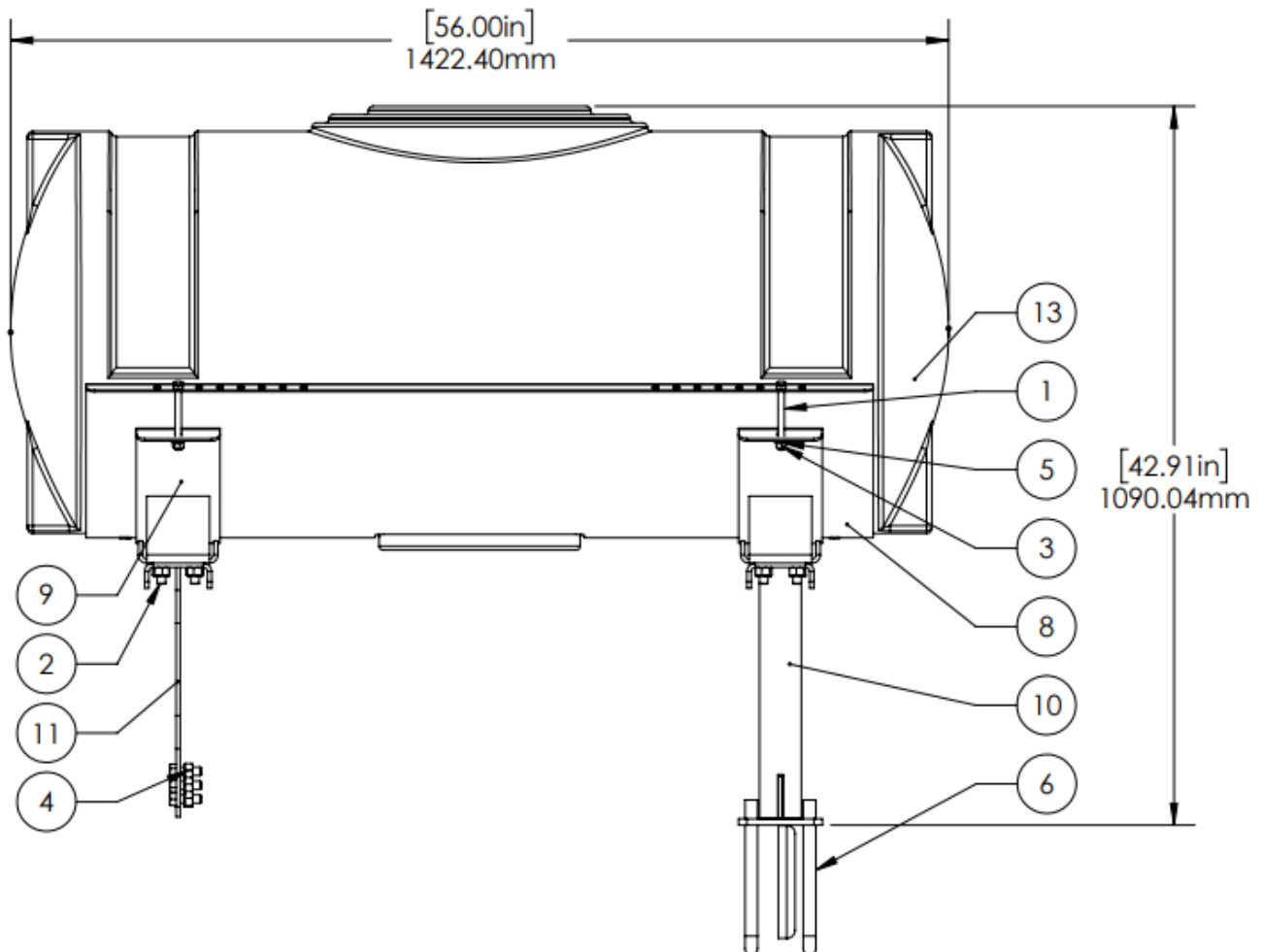




# Parts List

## Kit 530-01-550275

ITEM NO.	PART NUMBER	DESCRIPTION	QTY.
1	300-060400-5	3/8" x 4" Hex Head Bolt - G5	4
2	300-080108-5	1/2" x 1-1/2" Hex Head Bolt - G5	11
3	321-06	3/8" Nylock Nut	4
4	323-08	1/2" Flange Nut	11
5	330-06	3/8" Flat Washer	4
6	380-1060	3/4" U-bolt Kit- fits 7" x 7" tube (7" opening)	2
7	396-3088Y1	John Deere 1760/1765 Tank Mounting Kit Instruction Manual	1
8	420-3001Y1	150 Gallon Elliptical Tank Support Sheet	1
9	420-3009Y1	150 Gallon Elliptical Tank Saddle	2
10	420-3017Y1	15" Offset Bar Mounting for 100-200 Gallon	1
11	420-4925Y1	JD 1765 Outer Tank Mounting Bracket	1
12	525-2055	2" Tank Strap Kit for Tanks 300 Gal and	2
13	727-01-RAV150E	Elliptical Tank - 150 Gal - Yellow	1

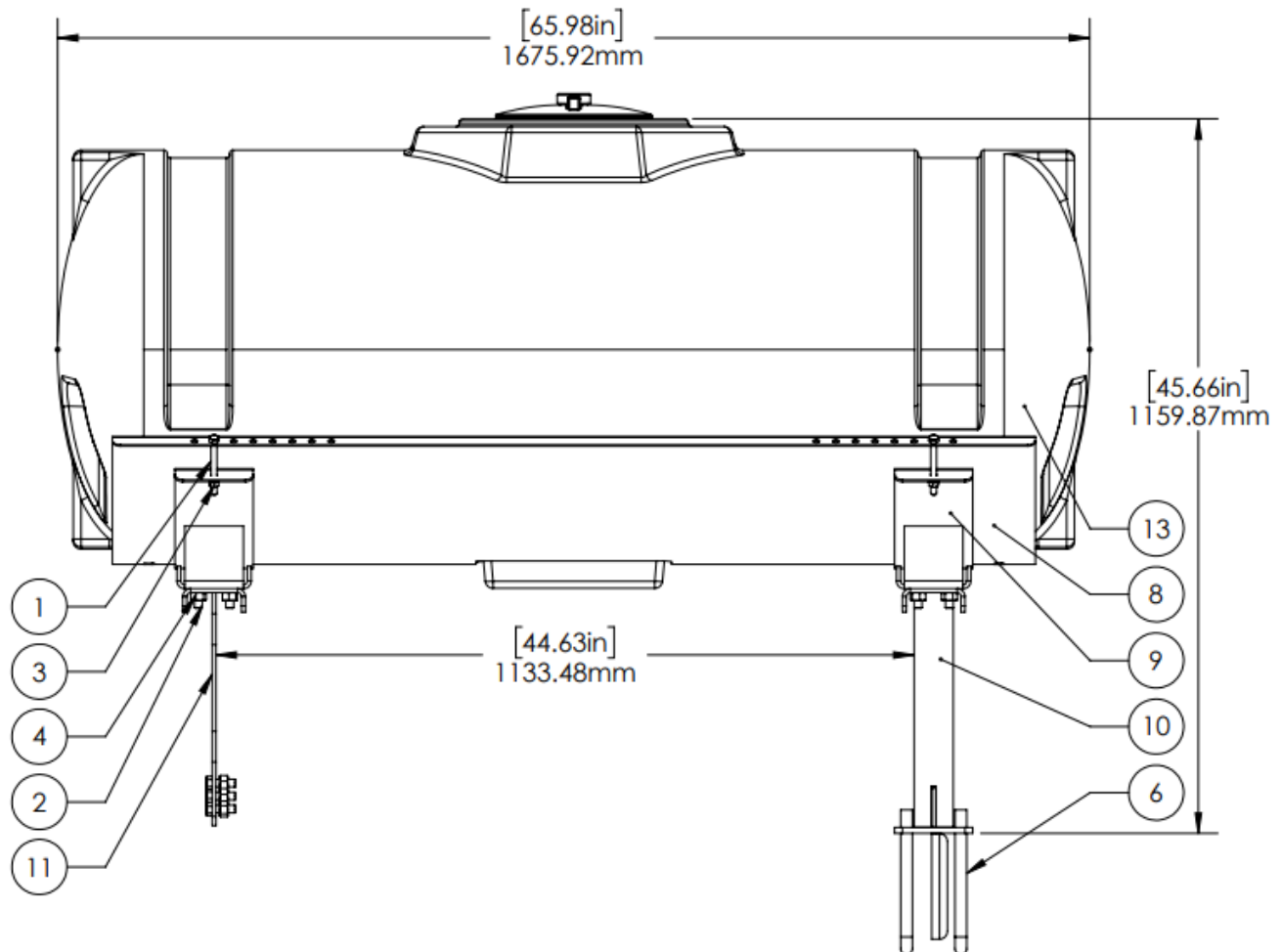




# Parts List

## Kit 530-01-550575

ITEM NO.	PART NUMBER	DESCRIPTION	QTY.
1	300-060400-5	3/8" x 4" Hex Head Bolt - G5	4
2	300-080108-5	1/2" x 1-1/2" Hex Head Bolt - G5	11
3	321-06	3/8" Nylock Nut	4
4	323-08	1/2" Flange Nut	11
5	330-06	3/8" Flat Washer	4
6	380-1060	3/4" U-bolt Kit - fits 7" x 7" tube (7"opening)	2
7	396-3088Y1	John Deere 1760/1765 Tank Mounting Kit Instruction Manual	1
8	420-3000Y1	200 Gallon Elliptical Tank Support Sheet	1
9	420-3006Y1	200 Gallon Elliptical Tank Saddle	2
10	420-3017Y1	15" Offset Bar Mounting for 100-200 Gallon Tanks	1
11	420-4925Y1	JD 1765 Outer Tank Mounting Bracket	1
12	525-2055	2" Strap Kit for Tanks 300 Gal & Under	2
13	727-01-HE0200-41-Y	Elliptical Tank - 200 Gal- Yellow	1

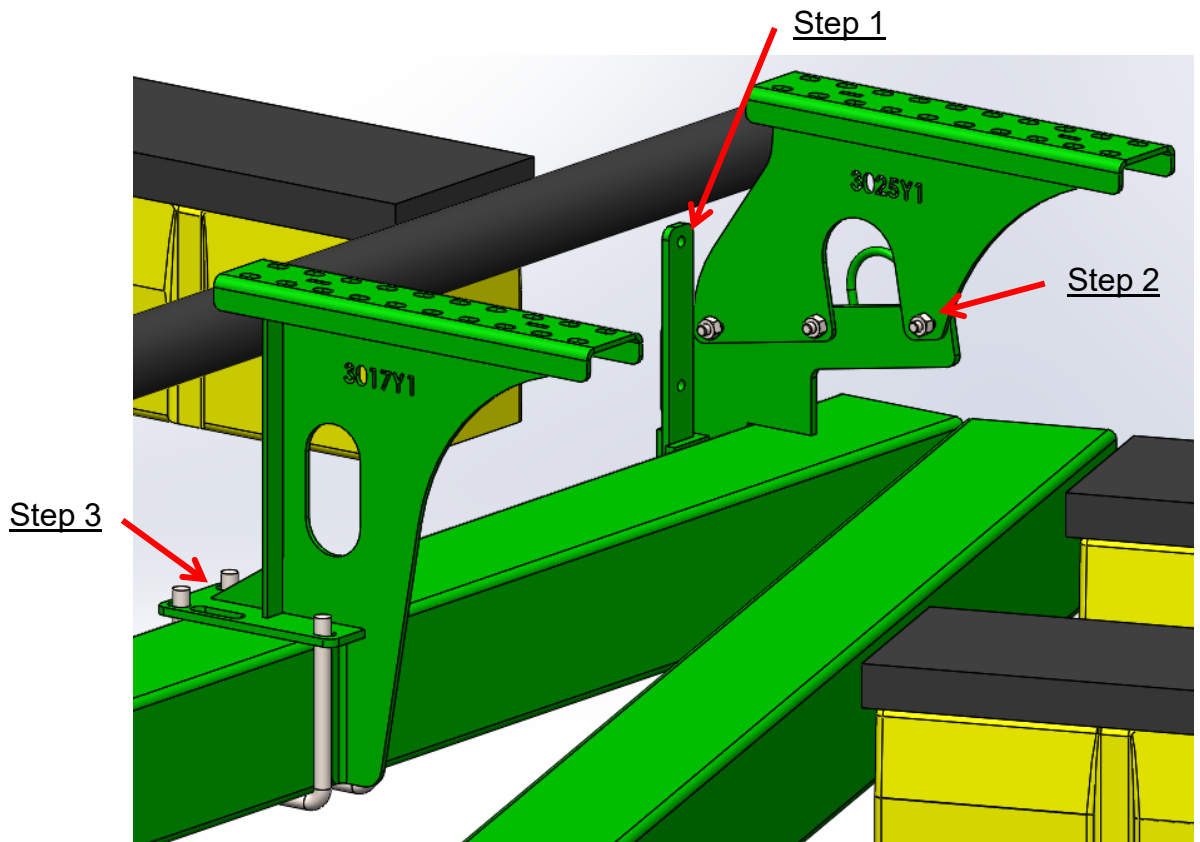




# Step by Step Instructions

1. It may be necessary to remove light bracket by removing two bolts from the black support tube.
2. Use three (3) 1/2" x 1-1/2" hex head bolts to attach outer tank mounting bracket, (Part Number 420-3025Y1) or (Part Number 420-4925Y1) to planter. Wrench tighten.
3. Use two (2) 3/4" x 7" x 8-1/2" square bend u-bolts to loosely attach offset bar mount (Part Number 420-3017Y1) to 7x7 planter frame as shown.

*Note: Offset bar mount bracket should be placed approximately 31"-38" from outer tank bracket.*

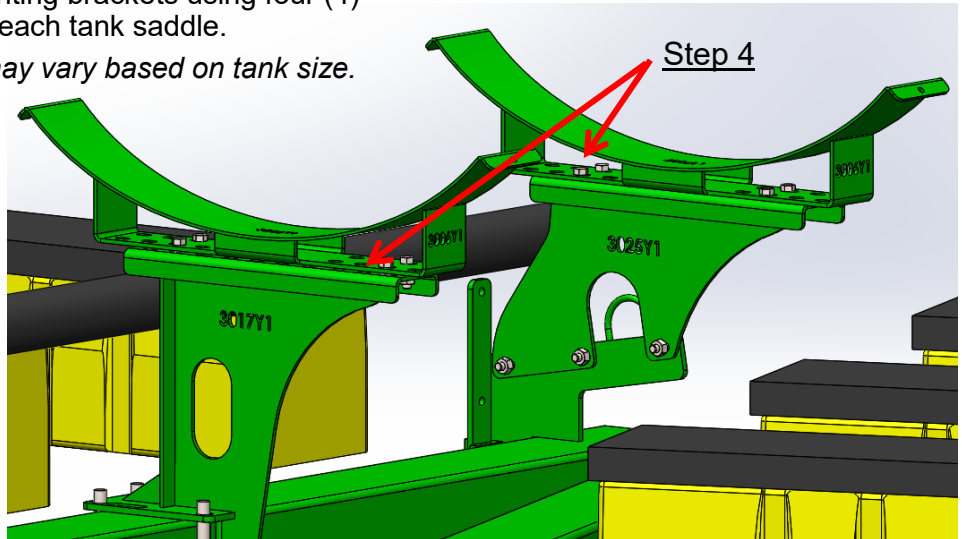




# Step by Step Instructions

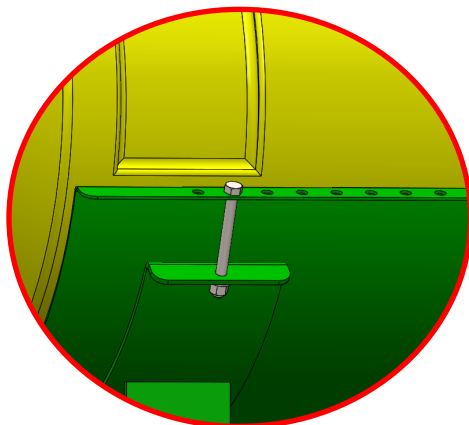
- Attach tank saddles to tank mounting brackets using four (4) 1/2" x 1-1/2" Hex Head Bolts for each tank saddle.

*Note: Part number for tank saddle may vary based on tank size.*



- Place tank support sheet and tank in saddle. *Note: Part number for tank support sheet may vary based on tank size.*
- Check for tank clearance and adjust offset bar mount as necessary to line up the holes on the tank saddles and tank support sheet. *Note: The outside hole is to be used for tank straps. Any of the other holes can be used to bolt the tank support sheet to the tank saddle.*

- Attach tank support sheet to saddles using four (4) 3/8" x 4" hex head bolts, flat washers and nylock nuts.
- Attach 525-2055 tank strap kits and tighten bolts. Make sure to re-tighten straps after the tank has been filled.



Steps 6-8

