



396-3080Y1

Offset Bar Mounting Instructions for 100-200 Gallon Tanks

Planter Manufacturer: **KINZE** (3600/3660 Interplant)

Kit Numbers:

- 530-03-200225 - Kinze Interplant 100 Gallon Tank Kit - ASD
- 530-03-200250 - Kinze Interplant 150 Gallon Tank Kit - ASD
- 530-03-200275 - Kinze Interplant 200 Gallon Tank Kit - ASD
- 530-03-200325 - Kinze Interplant 150 Gallon Tank Kit - Row Boxes
- 530-03-200350 - Kinze Interplant 200 Gallon Tank Kit - Row Boxes

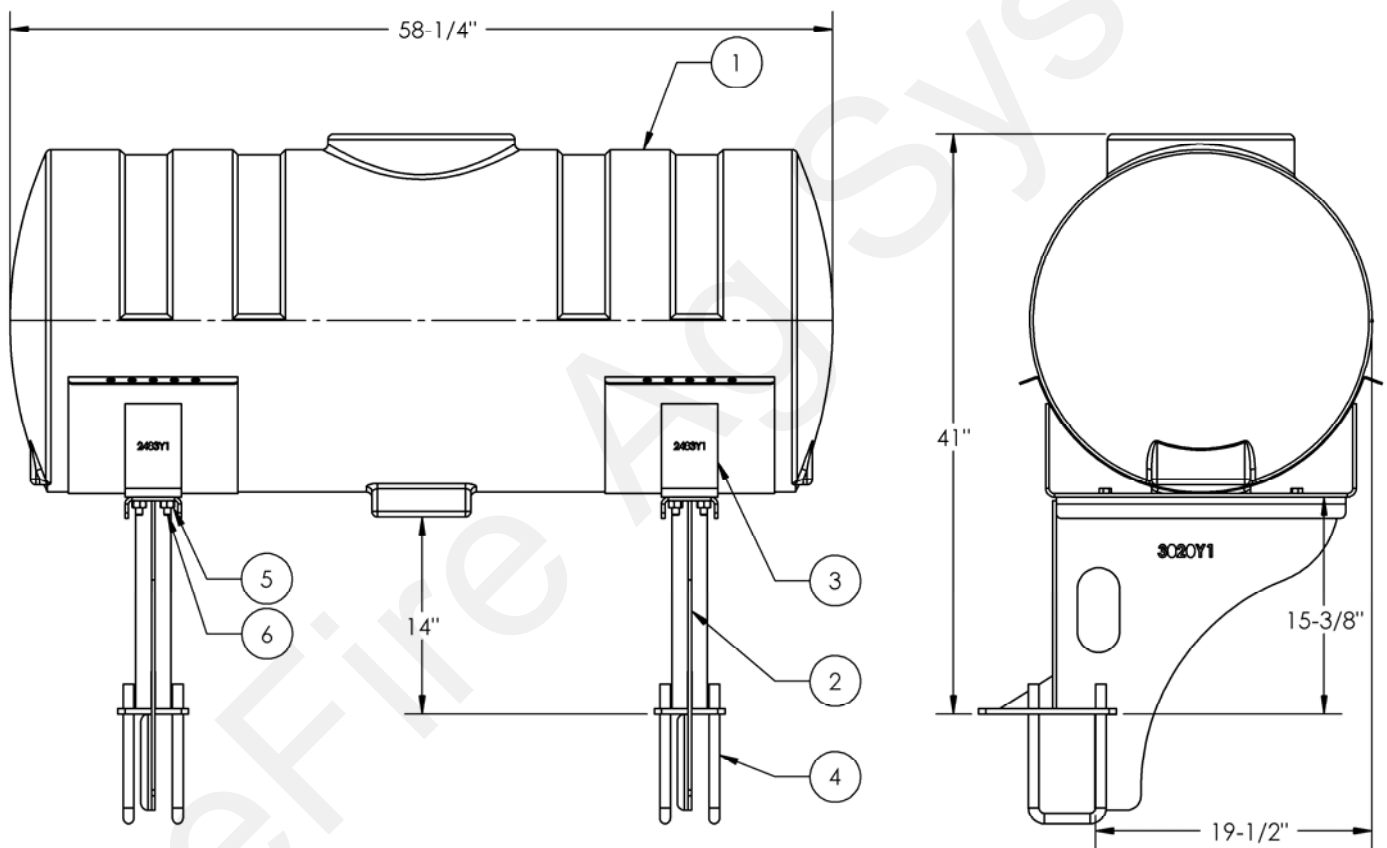




Parts List and Dimensions

Kit 530-03-200225

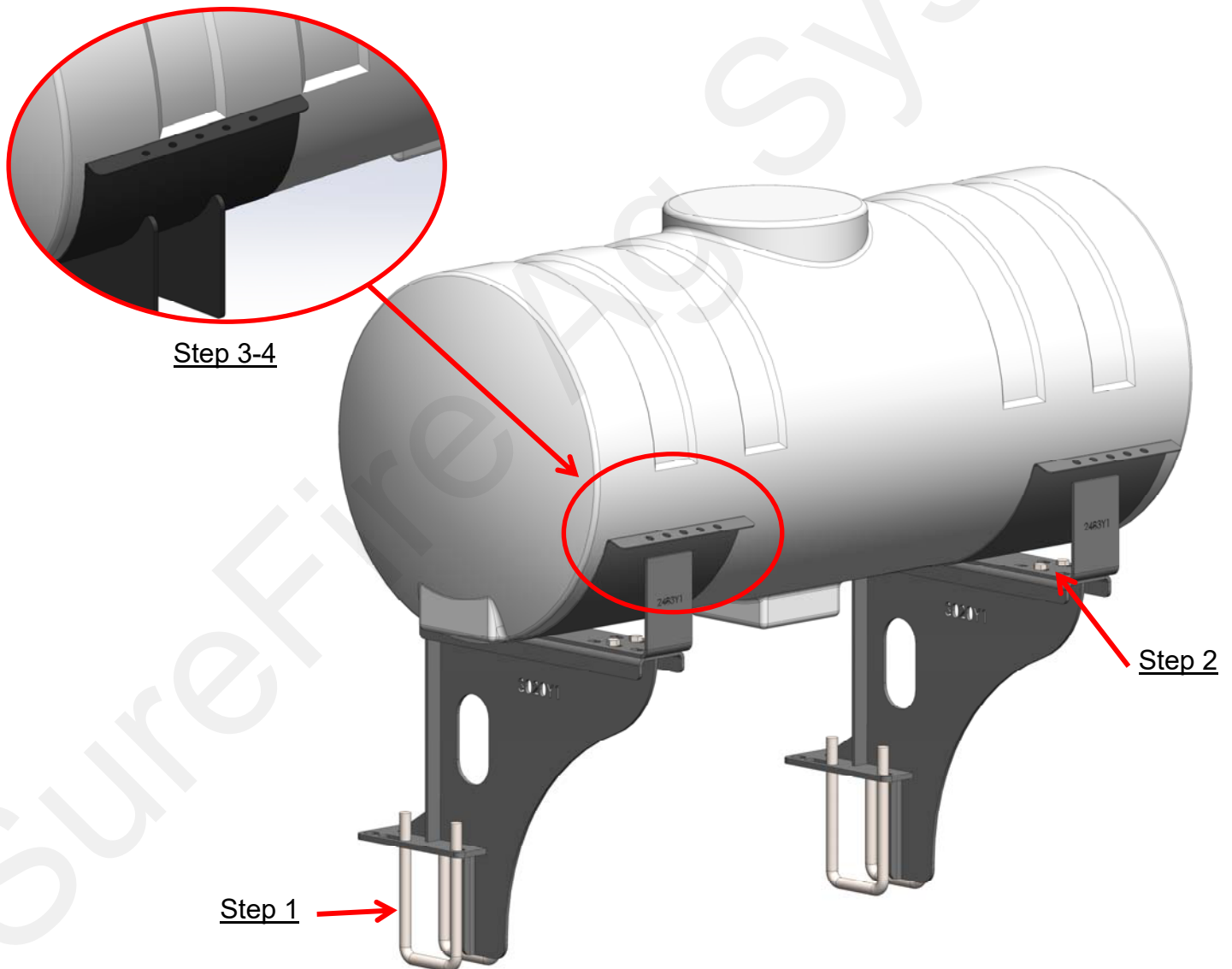
ITEM NO.	PART NUMBER	DESCRIPTION	QTY.
1	727-02-SOL100x23	100 Gallon 23"Ø Horizontal Tank	1
2	420-3020Y1	Offset Bar Mount for 100-200 Gal Tanks	2
3	420-2483Y1	23"Ø Tank Saddle	2
4	380-1073	3/4" x 5" x 9" Square Bend U-Bolt	2
5	300-080108-5	1/2" x 1-1/2" Hex Head Bolt 0- G5	8
6	323-08	1/2" Flange Nut	8
7	525-2055	2" Tank Strap Kit	2





Step by Step Instructions 100 Gallon Tank

1. Use two (2) square bend u-bolts to loosely attach offset bar mount (Part Number 420-3020Y1) to planter frame .
Note: Offset bar mount bracket should be placed approximately 32"-38" apart.
2. Attach tank saddles to tank mounting brackets using four (4) 1/2" x 1-1/2" Hex Head Bolts for each tank saddle.
3. Check for tank clearance and adjust offset bar mount as necessary to line up the holes on the tank saddles and groove in tank for tank straps.
Note: The outside hole is to be used for tank straps. Any of the other holes can be used to bolt the tank support sheet to the tank saddle.
4. Attach 525-2055 tank strap kits and tighten bolts. Make sure to re-tighten straps after the tank has been filled.

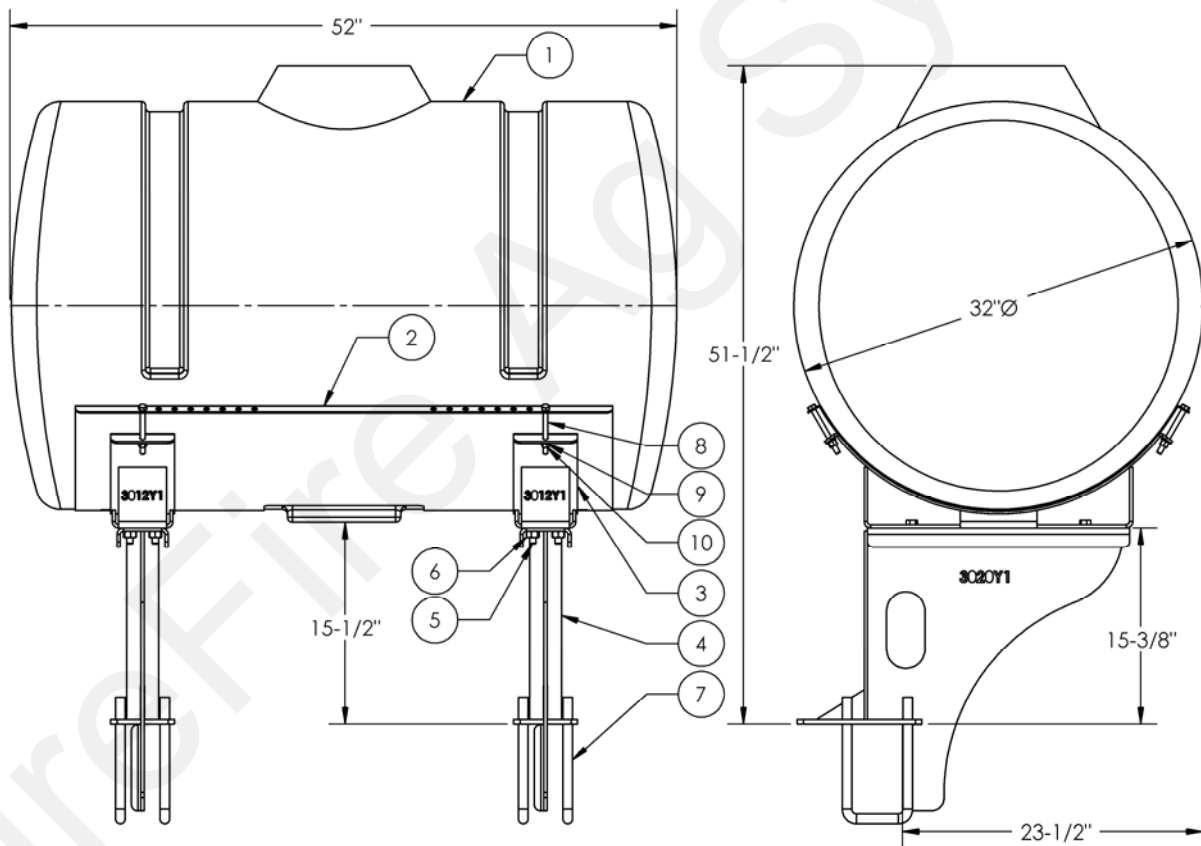




Parts List and Dimensions

Kit 530-03-200250

ITEM NO.	PART NUMBER	DESCRIPTION	QTY.
1	727-02-HZ00150BW	150 Gallon 32"Ø Horizontal Tank	1
2	420-3003Y1	150 Gallon Round Tank Support Sheet	1
3	420-3012Y1	32"Ø Tank Saddle	2
4	420-3020Y1	Offset Bar Mount for 100-200 Gal Tanks	2
5	300-080108-5	1/2" x 1-1/2" Hex Head Bolt 0- G5	8
6	323-08	1/2" Flange Nut	8
7	380-1073	3/4" x 5" x 9" Square Bend U-Bolt	4
8	300-060400-5	3/8" x 4" Hex Head Bolt - G5	4
9	330-06	3/8" Flat Washer	4
10	321-06	3/8" Nylock Nut	4
11	525-2055	2" Tank Strap Kit	2

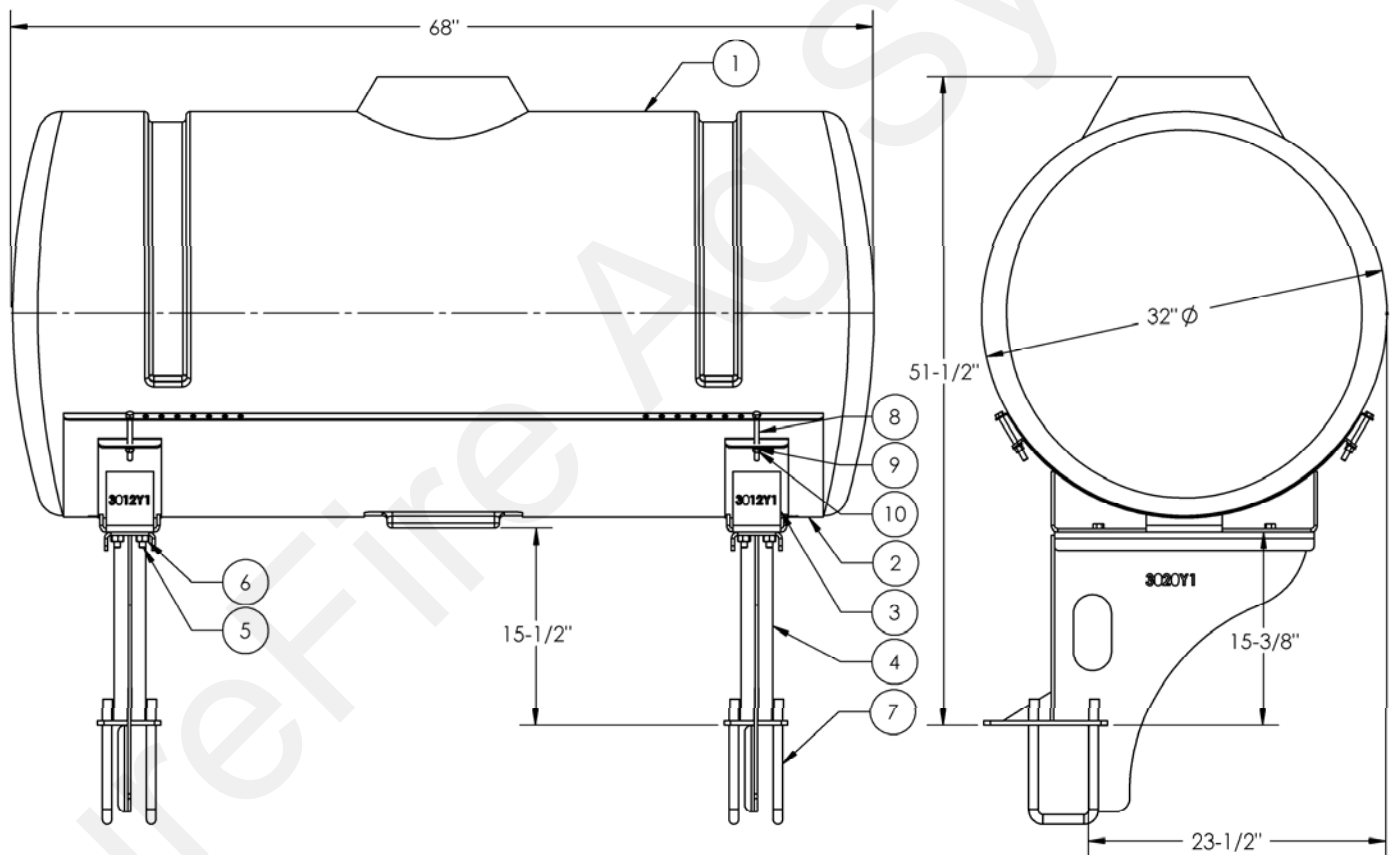




Parts List and Dimensions

Kit 530-03-200275

ITEM NO.	PART NUMBER	DESCRIPTION	QTY.
1	727-02-HZ00200AW	200 Gallon 32"Ø Horizontal Tank	1
2	420-3002Y1	200 Gallon Round Tank Support Sheet	1
3	420-3012Y1	32"Ø Tank Saddle	2
4	420-3020Y1	Offset Bar Mount for 100-200 Gal Tanks	2
5	300-080108-5	1/2" x 1-1/2" Hex Head Bolt 0- G5	8
6	323-08	1/2" Flange Nut	8
7	380-1073	3/4" x 5" x 9" Square Bend U-Bolt	4
8	300-060400-5	3/8" x 4" Hex Head Bolt - G5	4
9	330-06	3/8" Flat Washer	4
10	321-06	3/8" Nylock Nut	4
11	525-2055	2" Tank Strap Kit	2

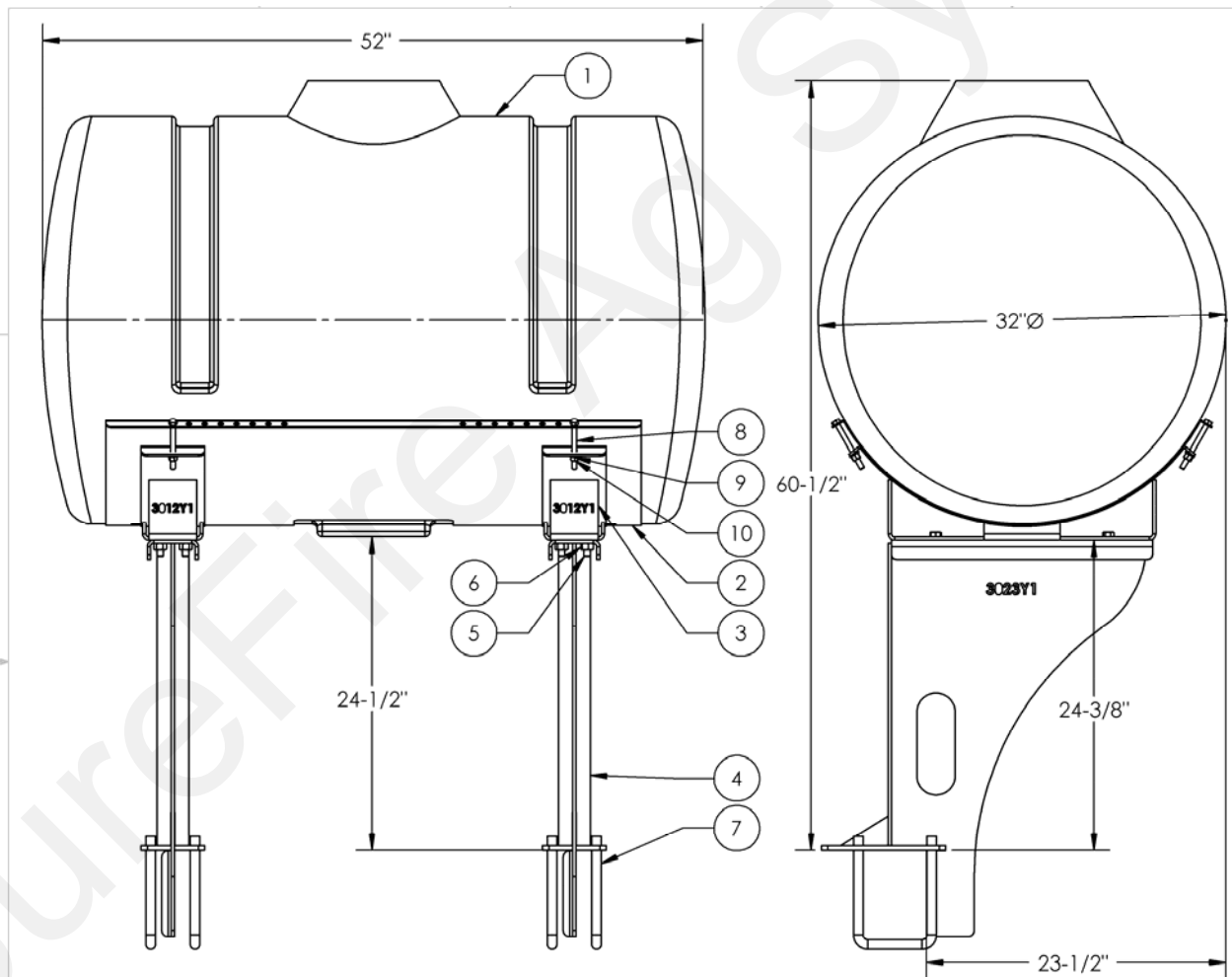




Parts List and Dimensions

Kit 530-03-200325

ITEM NO.	PART NUMBER	DESCRIPTION	QTY.
1	727-02-HZ00150BW	150 Gallon 32"Ø Horizontal Tank	1
2	420-3003Y1	150 Gallon Round Tank Support Sheet	1
3	420-3012Y1	32"Ø Tank Saddle	2
4	420-3023Y1	24" Offset Bar Mount for 100-200 Gal Tanks	2
5	300-080108-5	1/2" x 1-1/2" Hex Head Bolt 0- G5	8
6	323-08	1/2" Flange Nut	8
7	380-1073	3/4" x 5" x 9" Square Bend U-Bolt	4
8	300-060400-5	3/8" x 4" Hex Head Bolt - G5	4
9	330-06	3/8" Flat Washer	4
10	321-06	3/8" Nylock Nut	4
11	525-2055	2" Tank Strap Kit	2

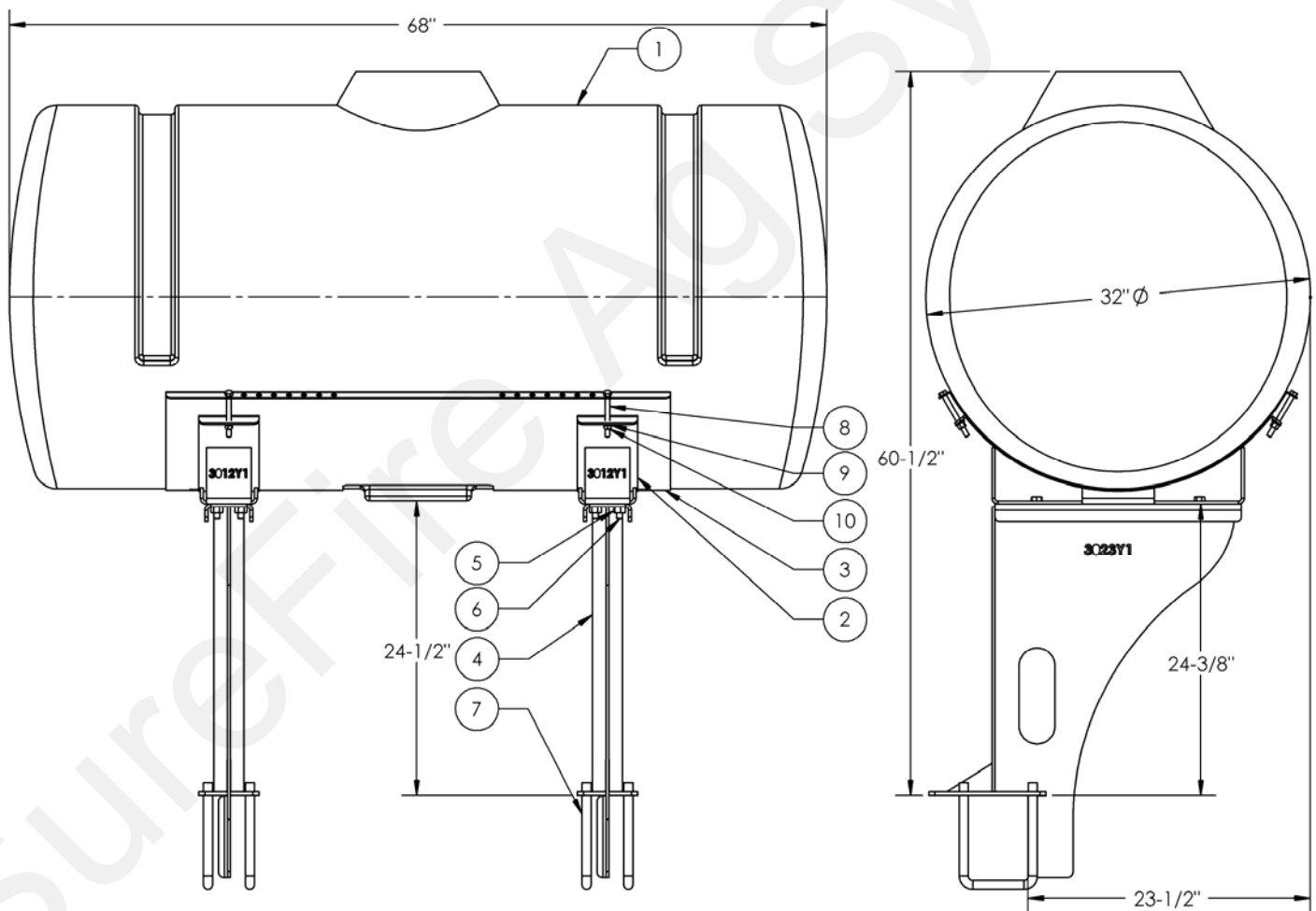




Parts List and Dimensions

Kit 530-03-200350

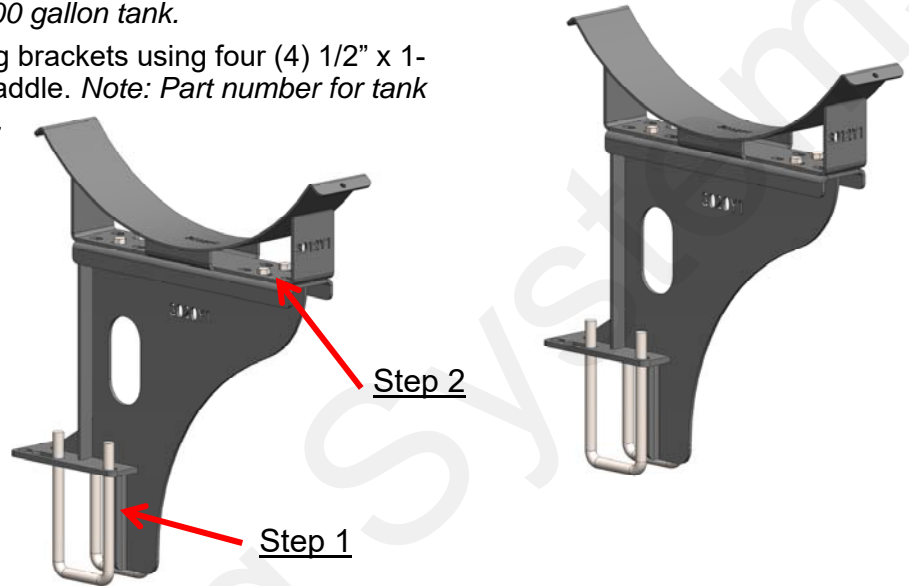
ITEM NO.	PART NUMBER	DESCRIPTION	QTY.
1	727-02-HZ00200AW	200 Gallon 32"Ø Horizontal Tank	1
2	420-3002Y1	200 Gallon Round Tank Support Sheet	1
3	420-3012Y1	32"Ø Tank Saddle	2
4	420-3023Y1	24" Offset Bar Mount for 100-200 Gal Tanks	2
5	300-080108-5	1/2" x 1-1/2" Hex Head Bolt 0- G5	8
6	323-08	1/2" Flange Nut	8
7	380-1073	3/4" x 5" x 9" Square Bend U-Bolt	4
8	300-060400-5	3/8" x 4" Hex Head Bolt - G5	4
9	330-06	3/8" Flat Washer	4
10	321-06	3/8" Nylock Nut	4
11	525-2055	2" Tank Strap Kit	2





Step by Step Instructions 150 or 200 Gallon Tank

1. Use two (2) square bend u-bolts to loosely attach offset bar mount to planter frame (Part Number 420-3020Y1 or 420-3023Y1). *Note: Offset bar mount bracket should be placed approximately 14" - 32" for 150 gallon tank and 32" - 50" apart for 200 gallon tank.*
2. Attach tank saddles to tank mounting brackets using four (4) 1/2" x 1-1/2" Hex Head Bolts for each tank saddle. *Note: Part number for tank saddle may vary based on tank size.*



3. Place tank support sheet and tank in saddle. *Note: Part number for tank support sheet may vary based on tank size.*
4. Check for tank clearance and adjust offset bar mount as necessary to line up the holes on the tank saddles and tank support sheet. *Note: The outside hole is to be used for tank straps. Any of the other holes can be used to bolt the tank support sheet to the tank saddle.*
5. Attach tank support sheet to saddles using four (4) 3/8" x 4" hex head bolts, flat washers and nylock nuts.
6. Attach 525-2055 tank strap kits and tighten bolts. Make sure to re-tighten straps after the tank has been filled.

