



396-3062Y1

QuickDraw Swing-Down Eductor Installation Instructions



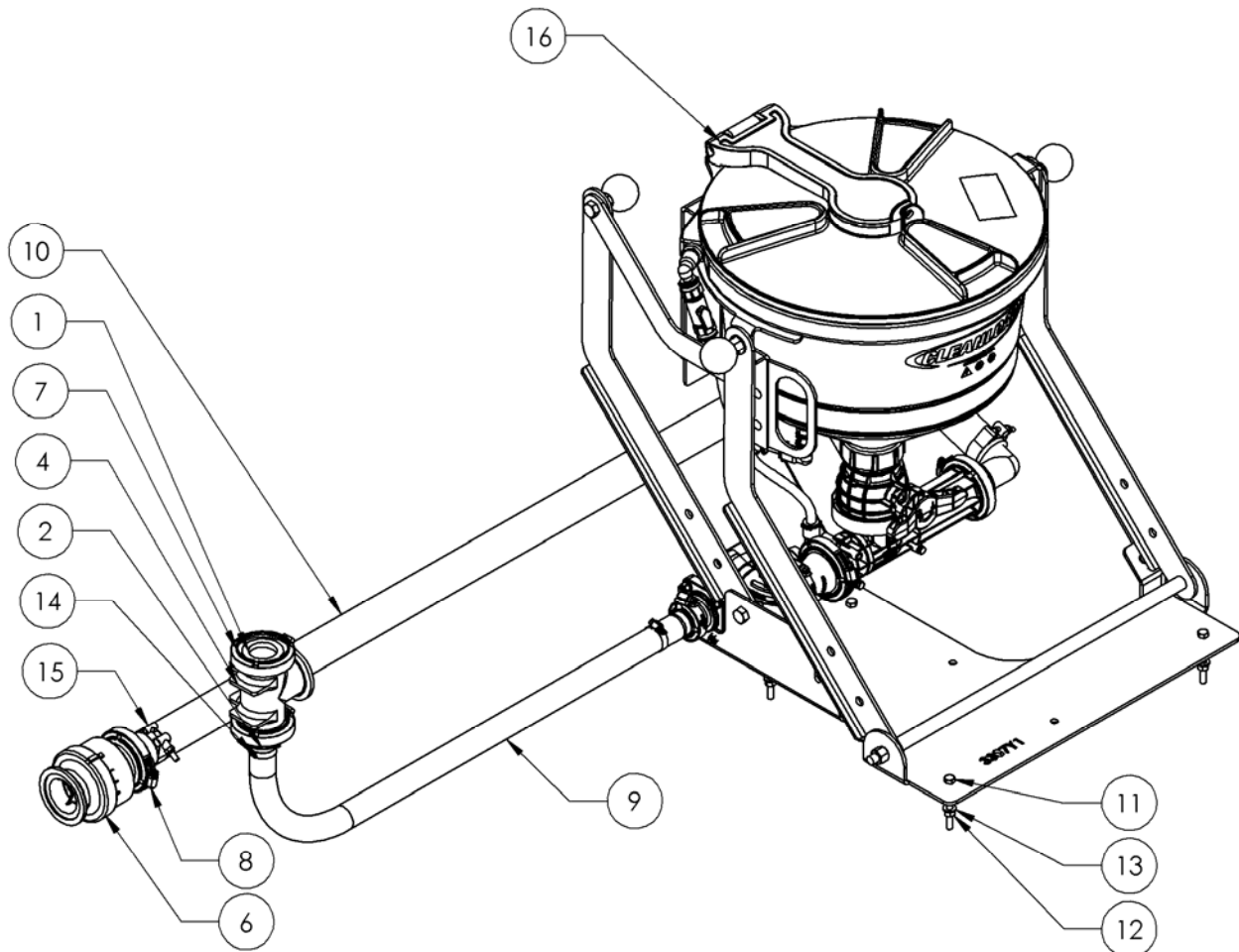
**QuickDraw Swing-Down Eductor Kit w/ Venturi
Kit Number: 606-02-100200**





606-02-100200 Replacement Parts List

ITEM NO.	PART NUMBER	DESCRIPTION	QTY.
1	105-150G-H	1-1/2" EPDM Manifold Gasket	2
2	105-200100BRB	2" Manifold x 1" HB	2
3	105-200G-H	2" EPDM Manifold Gasket for 220 Series Manifold Fittings	1
4	105-200TEE	2" Manifold Tee	1
5	105-220150BRB	2" Full Port Manifold x 1 1/2" HB	1
6	105-220CV	2" Manifold Check Valve	1
7	105-FC200	2" Manifold Clamp	2
8	105-FC220	2" Full Port Manifold Clamp	1
9	280-100-AG200	1" AG200 Hose	15
10	280-150-ENF	1-1/2" Enforcer Fertilizer Solution Hose	15
11	300-050300-5	5/16" x 3" G5	4
12	321-05	5/16" Nylock Nut	4
13	330-05	5/16" Flat Washer	4
14	350-1608	1" Hose Clamp	2
15	350-TC181	T-Bolt Hose Clamp - 1.81 - 2.06" Diameter	2
16	476-3313Y1	QuickDraw Venturi Eductor BOM	1



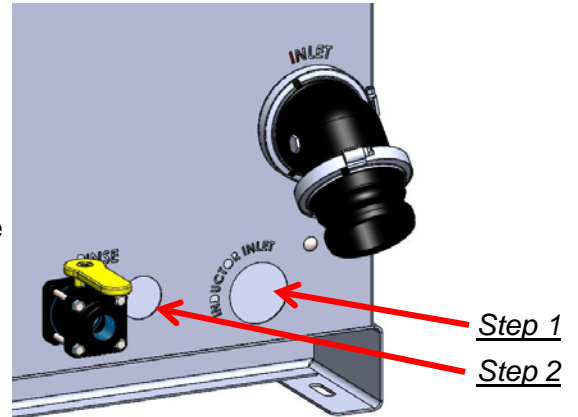


Swing Down Eductor Kit Plumbing Installation - QuickDraw^{MAX}

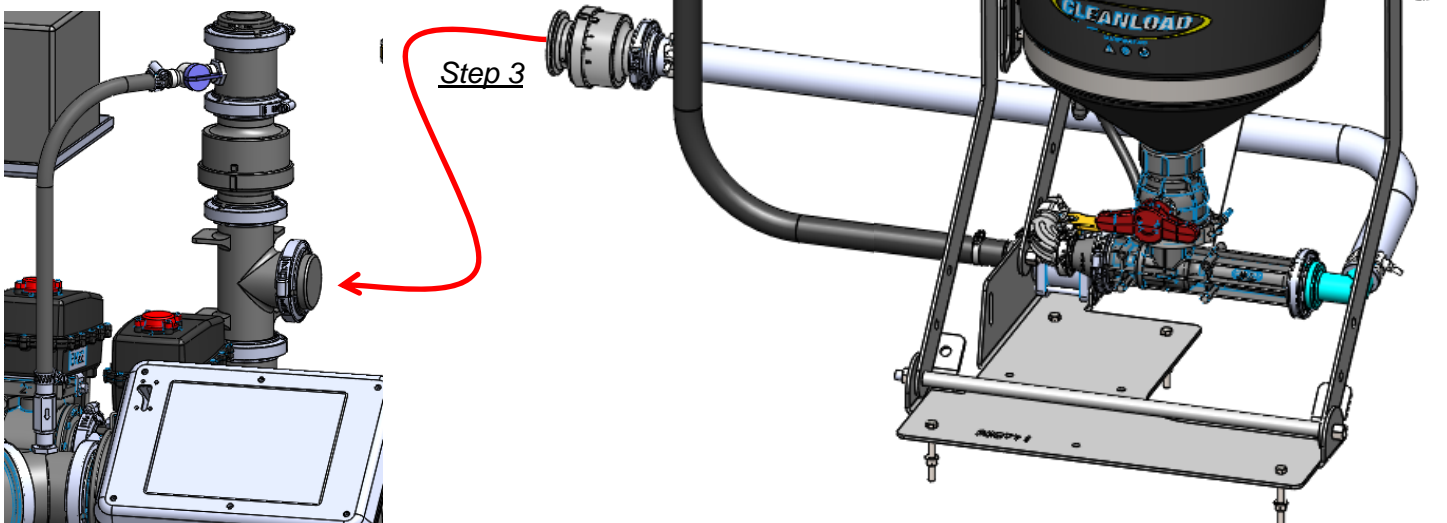
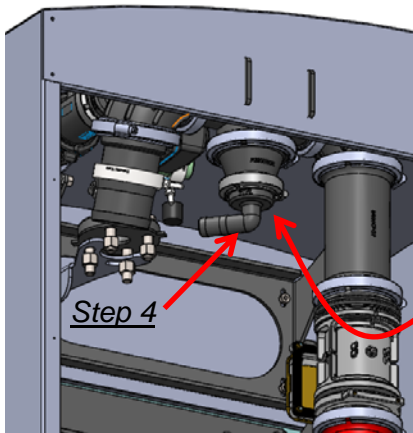
Eductor system kits must be plumbed to the outlet/discharge side of the transfer pump for proper venturi operation. Installation location on sprayer tender trailer may vary.

QuickDraw^{MAX} Instructions:

1. With swing-down eductor in the lowered position, route 1-1/2" eductor outlet hose from the swing-down eductor through hole in the side of the QuickDraw^{MAX} cabinet.
2. Route 1" eductor inlet hose through hole in the side of the QuickDraw^{MAX} cabinet.
3. Remove cap and connect check valve to tee inside QuickDraw^{MAX}. *Note: Check valve arrow should be pointing towards the tee.*



4. Remove QuickDraw manifold rinse (2" Manifold x 1" HB - 90°) from 3" reducer coupling inside the QuickDraw Cabinet.
5. Connect 2" Manifold x 1" HB to 2" tee and connect 2" tee to reducer coupling inside the QuickDraw Cabinet.
6. Reconnect rinse to side leg of tee.





Swing Down Eductor Kit Plumbing Installation - QuickDraw^{LITE}

QuickDraw^{LITE} Instructions:

1. With swing-down eductor in the lowered position, route 1-1/2" eductor outlet hose from the 1-1/2" venturi outlet to the QuickDraw^{LITE}. Remove cap and connect check valve to the tee. *Note: Check valve arrow should be pointing towards the tee.*
2. Route 1" eductor inlet hose from the rinse manifold of the QuickDraw^{LITE} and connect to swing-down eductor 1" valve.

