



396-2985Y1

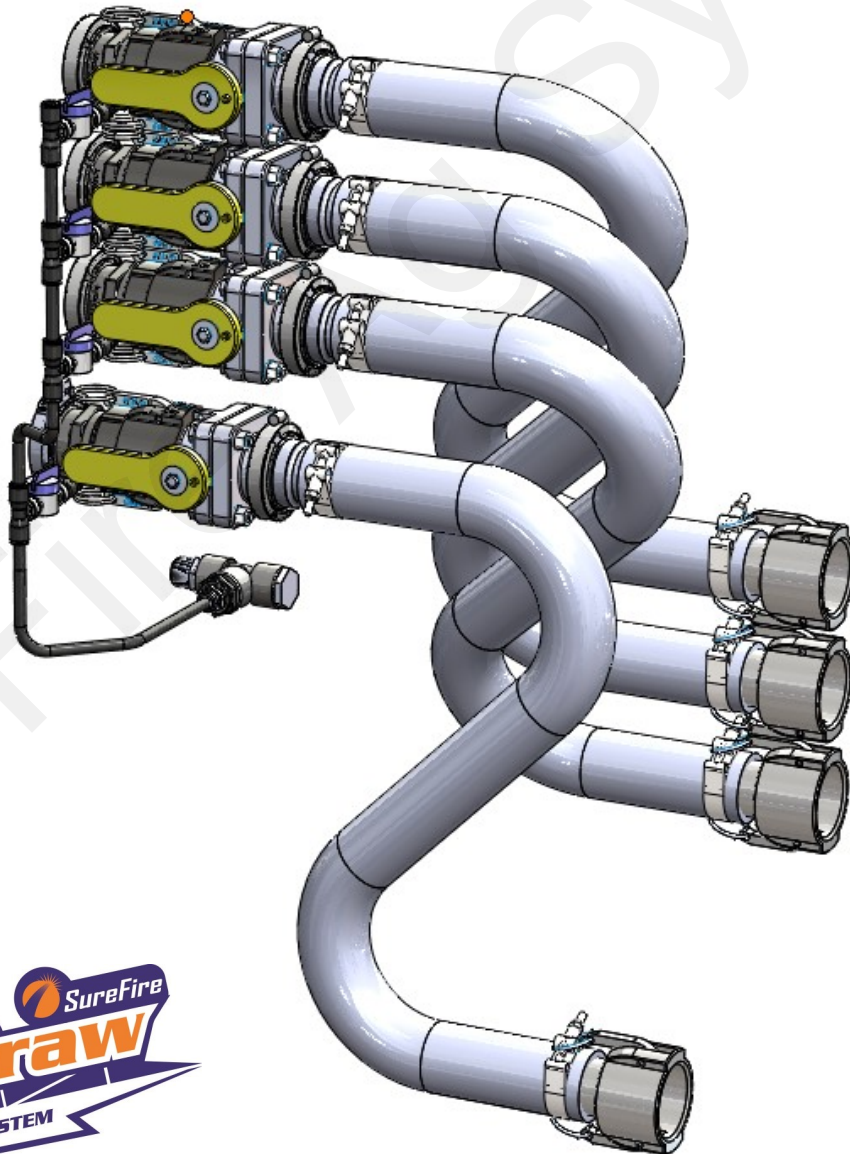
QuickDraw Product Valve Shuttle Connection Kit with Rinse Manifold

Kit Number: 606-01-400150

Kit Description: QuickDraw 2" Product Valve Shuttle Connection Kit with Rinse Manifold.

Kit Number: 606-01-400200

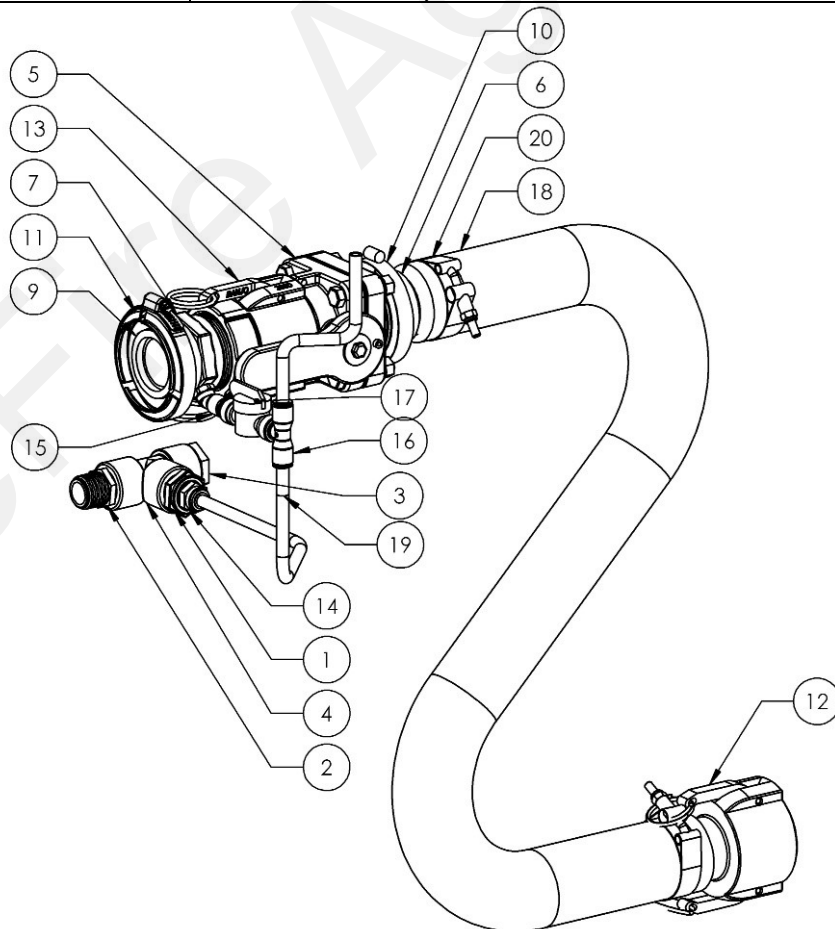
Kit Description: QuickDraw 1-1/2" Product Valve Shuttle Connection Kit with Rinse Manifold.





Parts List and Exploded View 606-01-400150

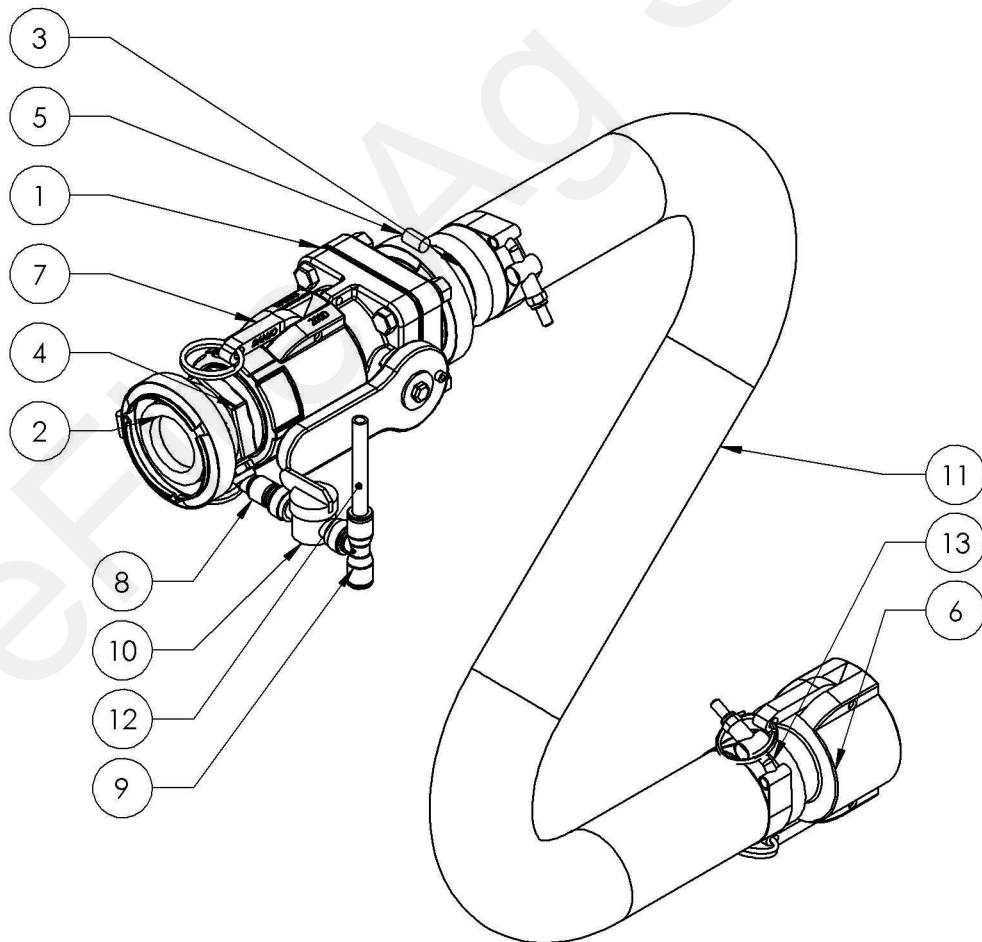
ITEM NO.	PART NUMBER	DESCRIPTION	QTY.
1	100-075050RB	3/4" MPT x 1/2" FPT Reducer Bushing	1
2	100-075NIP-SH	3/4" Short Poly Nipple	1
3	100-075PLUG	3/4" Pipe Plug	1
4	100-075TEE	3/4" Pipe Tee	1
5	102-200VSFCF	200 Series Manifold x 2" Male Quick Coupler Std Port Valve	1
6	105-200BRB	2" Manifold x 2" HB	1
7	105-220MPT-025	2" Full Port Manifold x 2" MPT with 1/4" Tapped Hole	1
8	105-150G	1-1/2" EPDM Gasket	1
9	105-200G-H	2" EPDM Manifold Gasket for 220 Series Manifold Fittings	1
10	105-FC200	2" Manifold Clamp	1
11	105-FC220	2" Full Port Manifold Clamp	1
12	106-200C	2" Female Coupler x 2" HB	1
13	106-200D	2" Female Coupler x 2" FPT	1
14	113-06-038050-P	QC to MPT - 3/8" QC x 1/2" MPT	1
15	113-16-038025-45	3/8"QC x 1/4" MPT (Nickel Plated Brass) - 45 Degree	1
16	113-21-038038038	3/8"QC x 3/8"QC x 3/8" Stem TEE	1
17	113-50-038038	Valve - 3/8" QC x 3/8" QC	1
18	280-200-ENF	2" Enforcer Fertilizer Solution Hose - 15 ft	1
19	281-038	3/8" OD Tube - 24"	1
20	350-TC231	T-Bolt Hose Clamp - 2.31 - 2.62" Diameter	2





Parts List and Exploded View 606-01-400200

ITEM NO.	PART NUMBER	DESCRIPTION	QTY.
1	102-200VSFCF	200 Series Manifold x 2" Male Quick Coupler Std Port Valve	1
2	105-150G	1 1/2" EPDM Gasket	2
3	105-200BRB	2" Manifold x 2" HB	1
4	105-200MPT-025	2" Manifold x 2" MPT (Tapped)	1
5	105-FC200	2" Manifold Clamp	2
6	106-200C	2" Female Coupler x 2" HB	1
7	106-200D	2" Female Coupler x 2" FPT	1
8	113-16-038025-45	3/8"QC x 1/4" MPT (Nickel Plated Brass) - 45 Degree	1
9	113-21-038038038	3/8"QC x 3/8"QC x 3/8" Stem TEE	1
10	113-50-038038	Valve - 3/8" QC x 3/8" QC	1
11	280-200-ENF-0002	2" Enforcer Fertilizer Solution Hose	1
12	281-02-038	Bulk 3/8" OD Poly Tubing - 6" Lengths	1
13	350-TC231	T-Bolt Hose Clamp - 2.31 - 2.62" Diameter (fits 2" Enforcer)	2

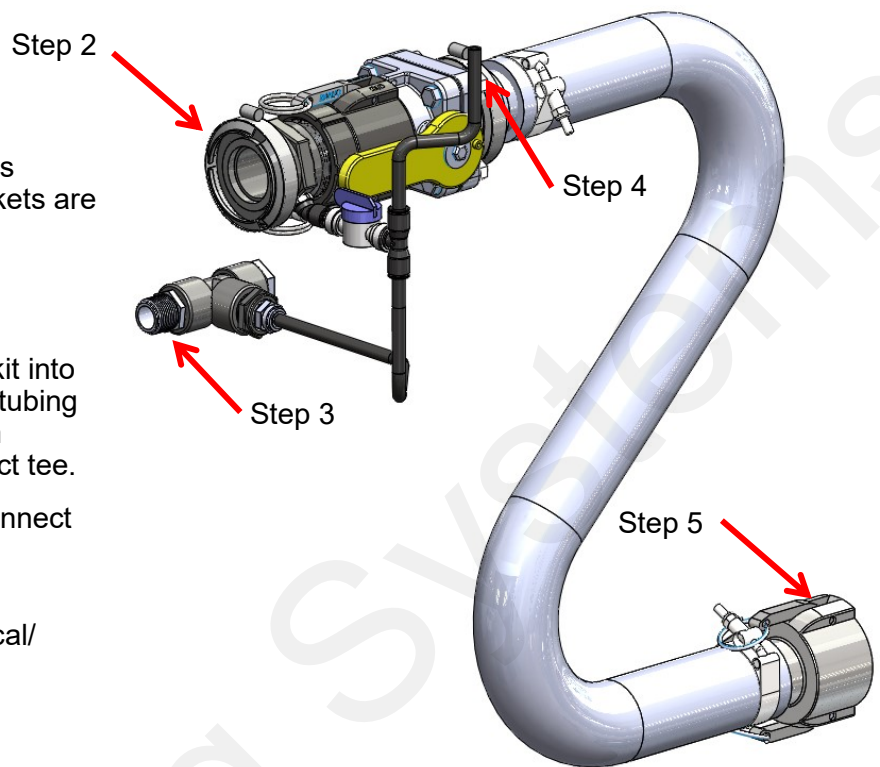




Step by Step Instructions

606-01-400150

1. Assemble kit as shown on the previous pages. Ensure viton O-rings and gaskets are in place prior to connecting fittings.
2. Connect 2" full port manifold fitting to QuickDraw "Product 1" valve.
3. Thread 3/4" tee from 606-01-400150 kit into QuickDraw rinse valve. Cut provided tubing to length and connect 3/8" tubing from QuickDraw rinse valve to quick connect tee.
4. Cut 3/8" tubing to length in order to connect Product 1 rinse valve to Product 2, if applicable.
5. Connect cam-lever coupling to chemical/fertilizer shuttle or tank.



606-01-400100

1. Assemble kit as shown on the previous pages. Ensure viton O-rings and gaskets are in place prior to connecting fittings.
2. Connect 1-1/2" manifold fitting to QuickDraw "Product 2-6" valve.
3. Cut 3/8" tubing to length in order to connect each product valve rinse manifold kits together.

Note: The top product valve will use a stem elbow instead of the stem tee that are provided in the kit.

4. Connect cam-lever coupling to chemical/fertilizer shuttle or tank.

