



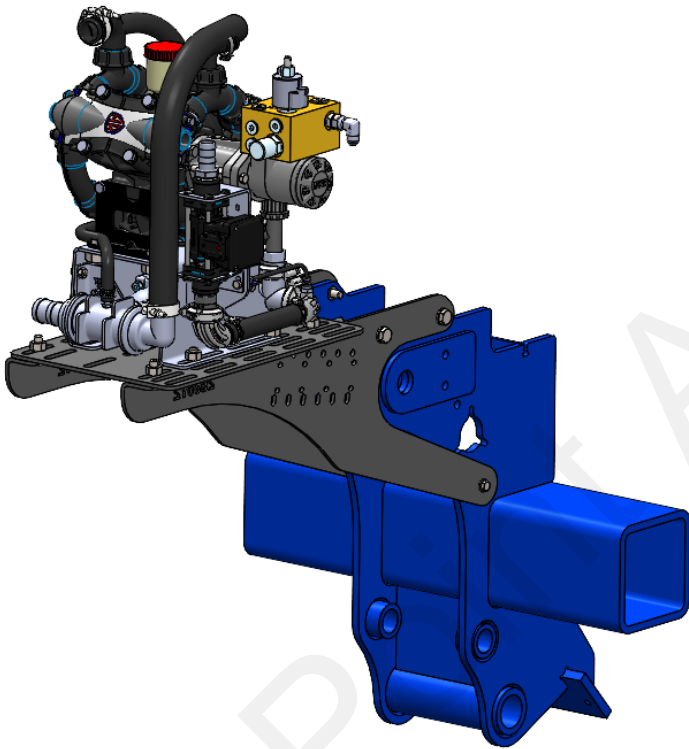
396-2937Y1

Kinze 4905 Over the Tire Bracket Mounting Instructions

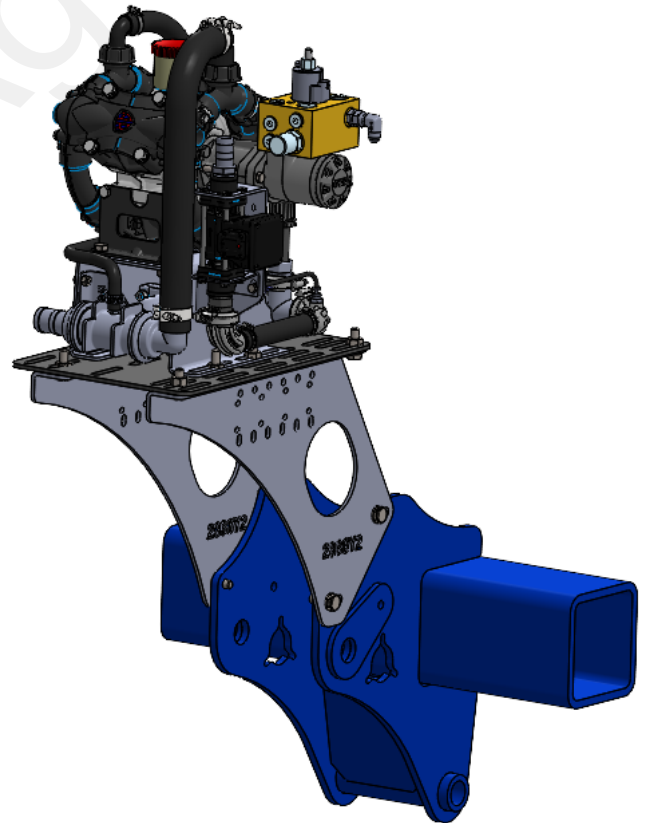
Planter Manufacturer: **KINZE**

Kit Number: 515-03-201300 (12R/16R Over the Tire Bracket)

Kit Number: 515-03-201310 (24R Over the Tire Bracket)



24 Row Kinze 4905



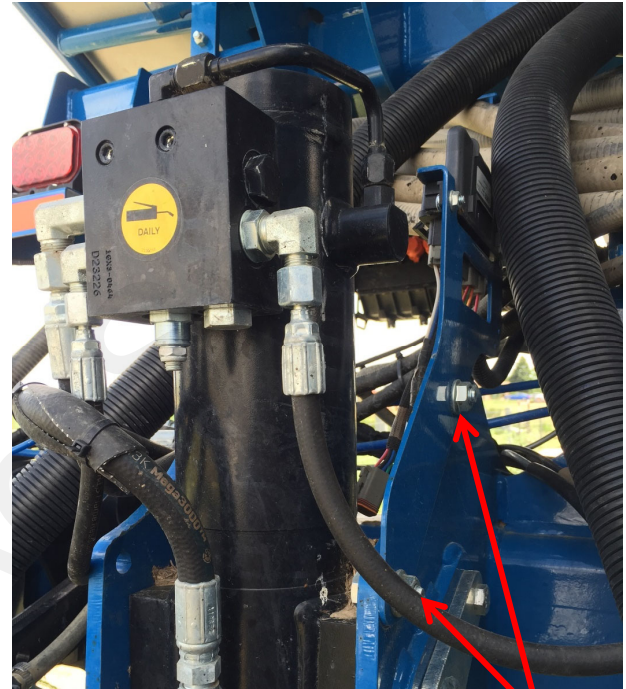
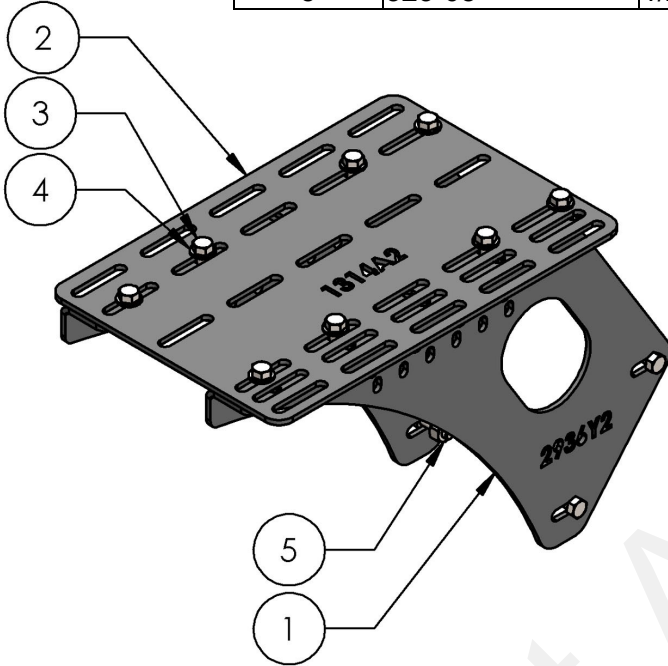
12/16 Row Kinze 4905



Parts List and General Instructions

Kit Number: 515-03-201300 (12R/16R Over the Tire Bracket)

| ITEM NO. | PART NUMBER | DESCRIPTION | QTY. |
|----------|---------------|--|------|
| 1 | 435-2936Y2-BK | KINZE 4900 16 Row Over Tire Bracket | 2 |
| 2 | 400-1314A2-BK | Black Over Tire Pump Mount - Top Plate | 1 |
| 3 | 300-080108-8 | 1/2" x 1-1/2" Hex Head Bolt—G8 | 12 |
| 4 | 330-08 | 1/2" Flat Washer | 4 |
| 5 | 323-08 | 1/2" Flange Nut | 12 |

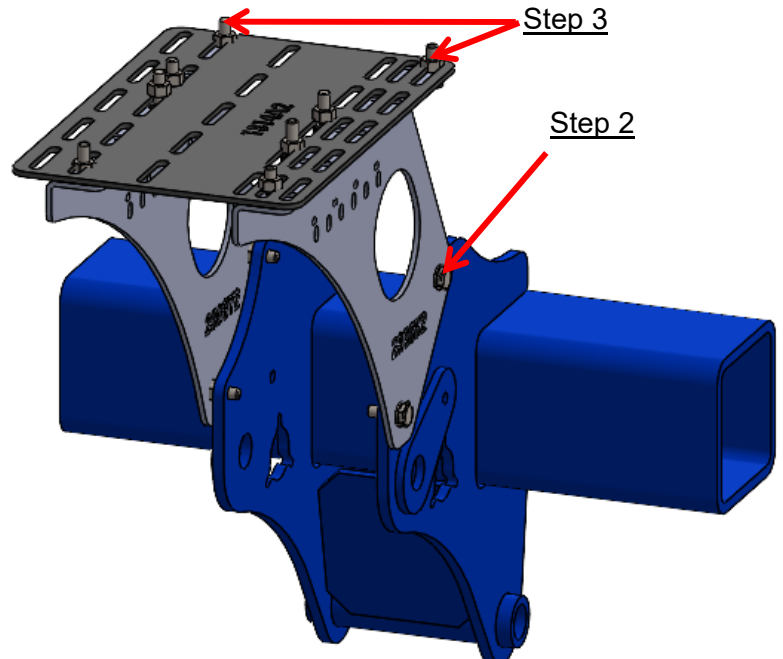


Step 1

General Instructions:

* It may be necessary to adjust hydraulic fittings to install pump mounting bracket.

1. If applicable, remove the two bolts that fasten the row module bracket to the planter.
2. Attach pump mounting bracket side plates (Item 1) using two (2) 1/2"x1-1/2" hex head bolts (Item 3) and flange nuts (Item 5) on each side as illustrated. *Note: Row module bracket may need to be re-installed on the inside of the cylinder support plates of the planter frame.*
3. Attach top plate, 400-1314A2 (Item 2) to side plates using four (4) 1/2"x1-1/2" hex head bolts and flange nuts in the rows of slots as shown.
4. Attach Tower/PumpRight using four (4) 1/2"x1-1/2" hex head bolts, flat washers and

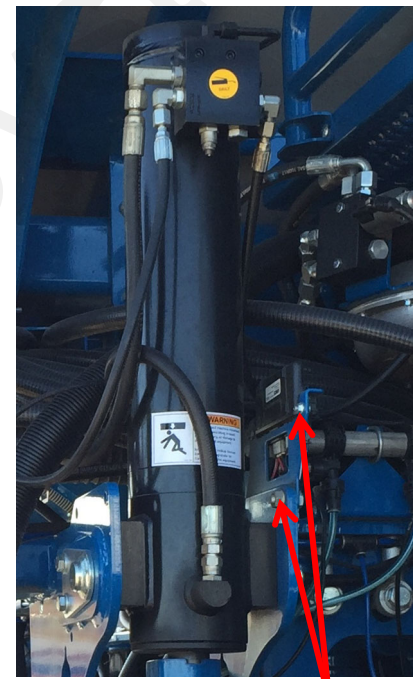
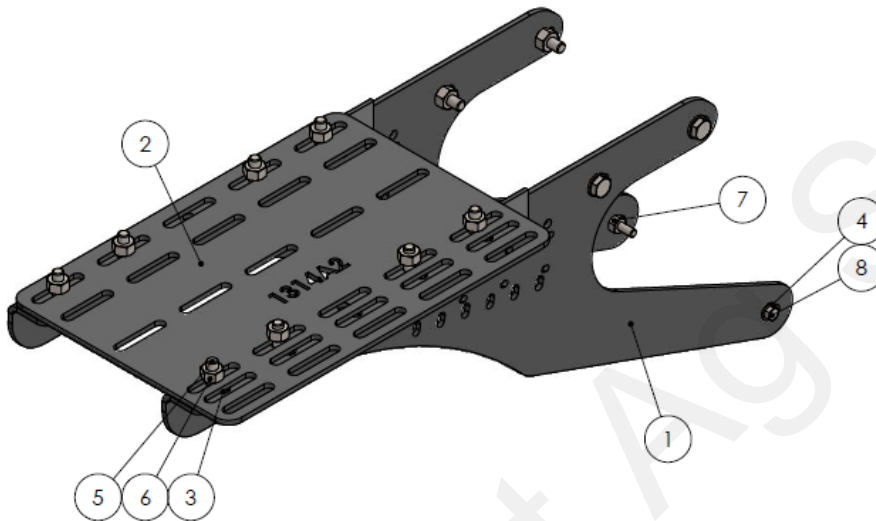




Parts List and General Instructions

Kit Number: 515-03-201310 (24 Row Over the Tire Bracket)

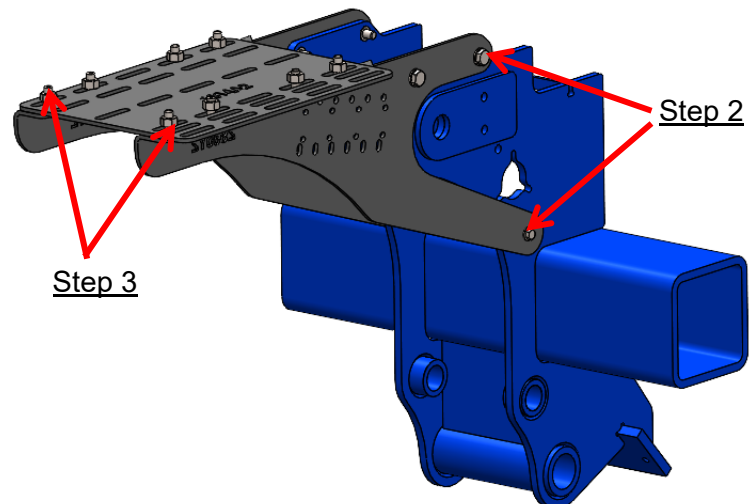
| ITEM NO. | PART NUMBER | DESCRIPTION | QTY. |
|----------|---------------|---|------|
| 1 | 435-2935Y2 | Kinze 4900 24 Row Planter Over Tire Bracket | 2 |
| 2 | 400-1314A2-BK | Over Tire Pump Mount - Top Plate | 1 |
| 3 | 330-08 | 1/2" Flat Washer | 12 |
| 4 | 330-06 | 3/8" Flat Washer | 2 |
| 5 | 300-080108-8 | 1/2" x 1-1/2" G8 | 12 |
| 6 | 323-08 | 1/2" Flange Nut | 12 |
| 7 | 323-06 | 3/8" Flange Nut | 2 |
| 8 | 300-060108-5 | 3/8" x 1-1/2" Hex Head Bolt - G5 | 2 |



Step 1

General Instructions:

1. If applicable, remove the two bolts that fasten the row module bracket to the planter.
2. Attach pump mounting brackets (Item 1) using four (4) 1/2"x1-1/2" hex head bolts (Item 5), two (2) 3/8"x1-1/2" bolts (Item 8), and flange nuts (Items 6 & 7) as illustrated. *Note: Reinstall row module bracket on the inside of the cylinder support plates of the planter frame.*
3. Attach top plate, 400-1314A2 (Item 2), using four (4) 1/2"x1-1/2" hex head bolts and flange nuts as shown in the picture.
4. Attach Tower/PumpRight using four (4) 1/2"x1-1/2" hex head bolts, flat washers and flange nuts as shown on following pages.
5. Wrench tighten all bolts.

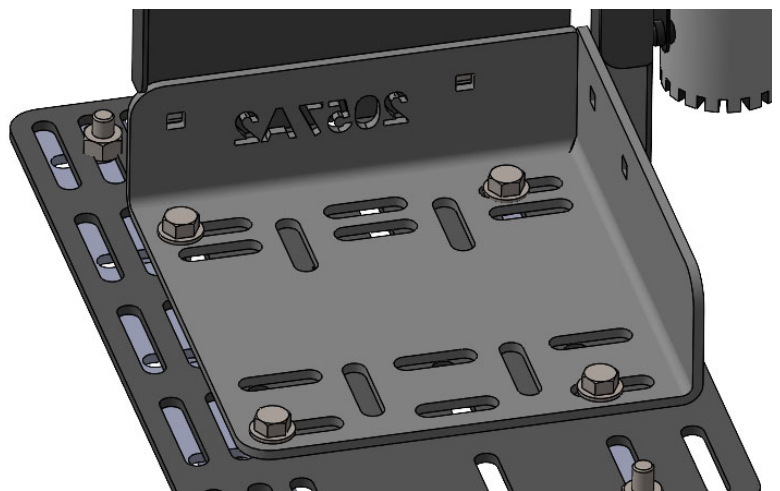
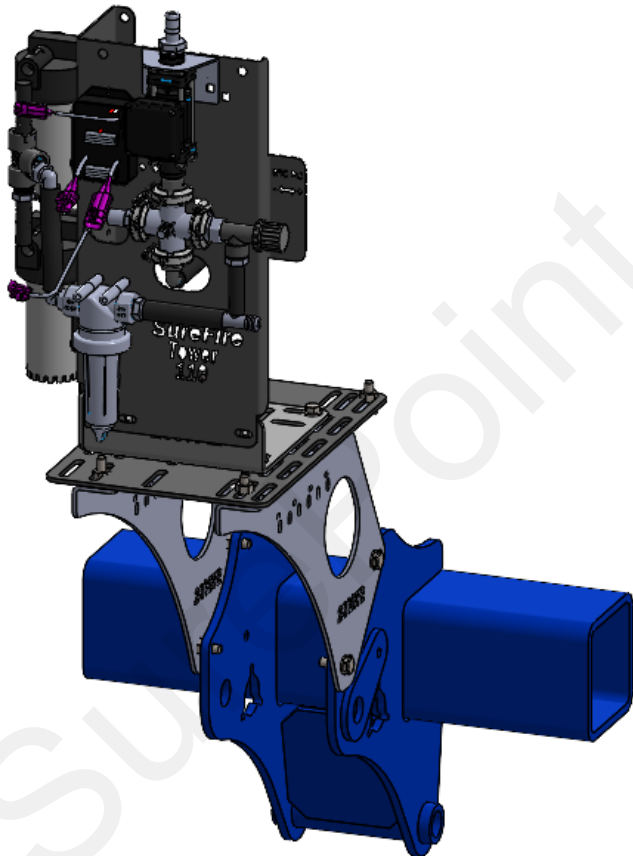
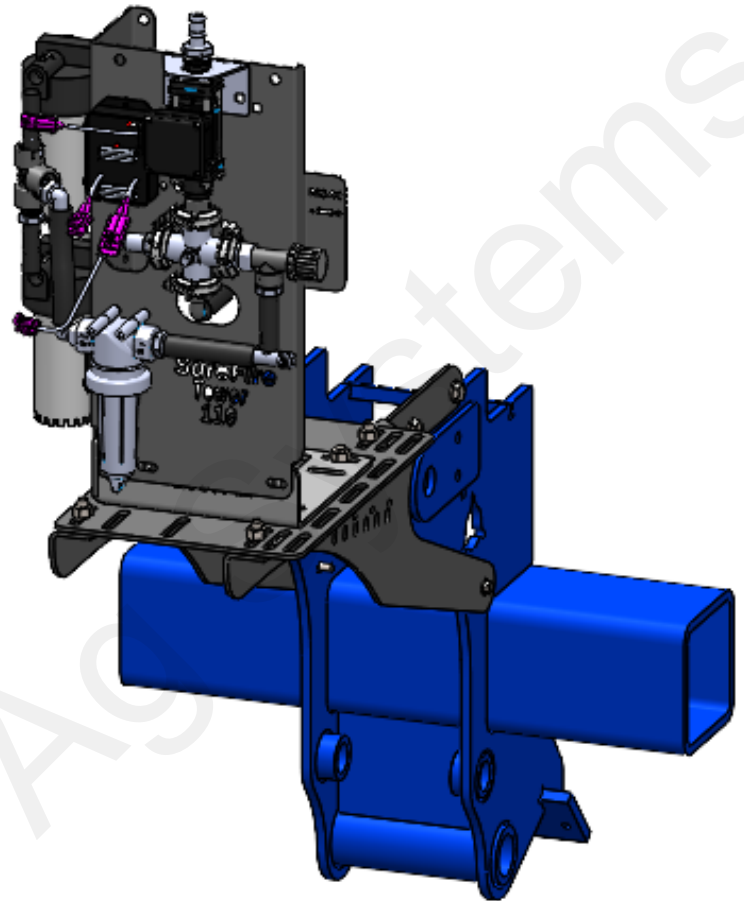




Step by Step Instructions SureFire Tower System

The pump alignment illustrated in the picture to the right is the optimal location for alignment of bolt holes. However, the pump can be mounted further forward or rearward if desired.

1. Attach mounting bracket 410-2057A2 (ordered separately) and SureFire Tower System to the pump mounting bracket as shown below, using four (4) 1/2" x 1-1/2" hex head bolts, flat washers, and flange nuts.
2. Inspect pump mounting for clearance and wrench tighten all bolts.



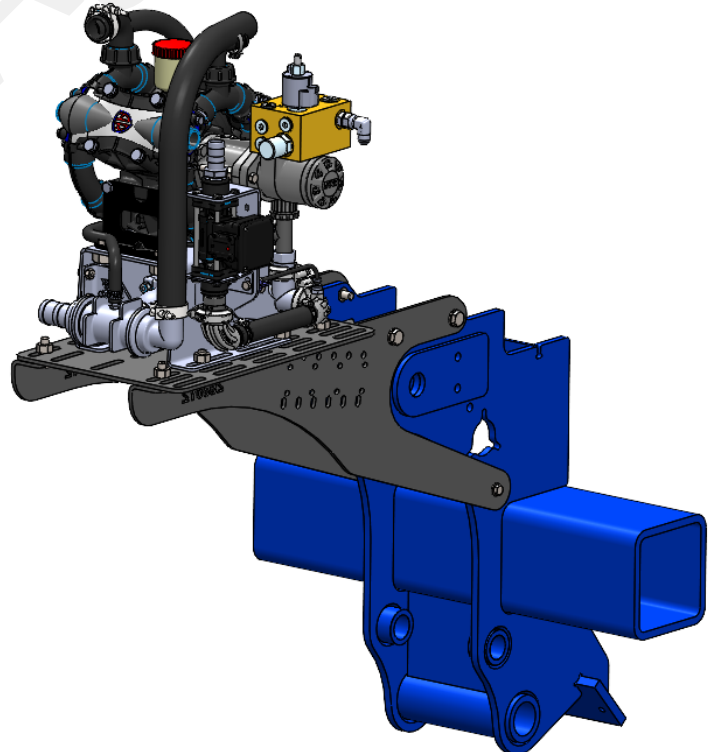
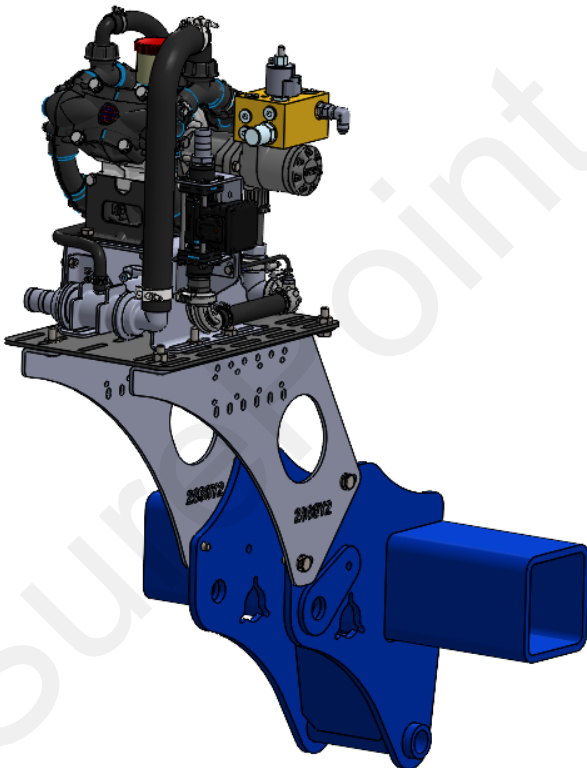
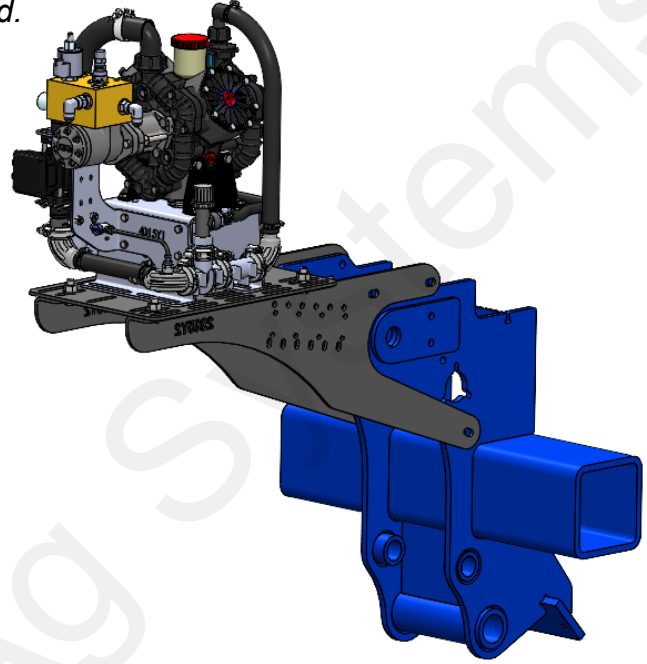


Step by Step Instructions PumpRight 17& 30 Mounting

The pump alignment illustrated in the picture to the right is the optimal location for alignment of bolt holes. However, the pump can be mounted further forward or rearward if desired.

1. Attach PumpRight support bracket to the pump mounting bracket as shown, using four (4) 1/2" x 1-1/2" hex head bolts, flat washers, and flange nuts.
2. Inspect pump mounting for clearance and wrench tighten all bolts.

Note: Pump can be oriented in any direction as needed to avoid interferences.



12/16 Row Kinze 4900

24 Row Kinze 4900



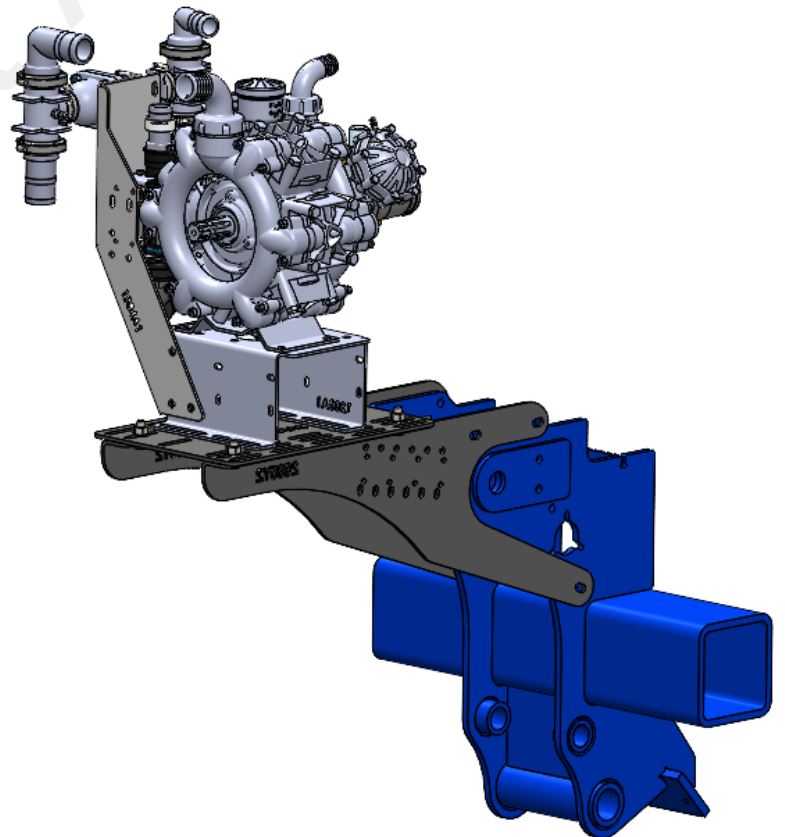
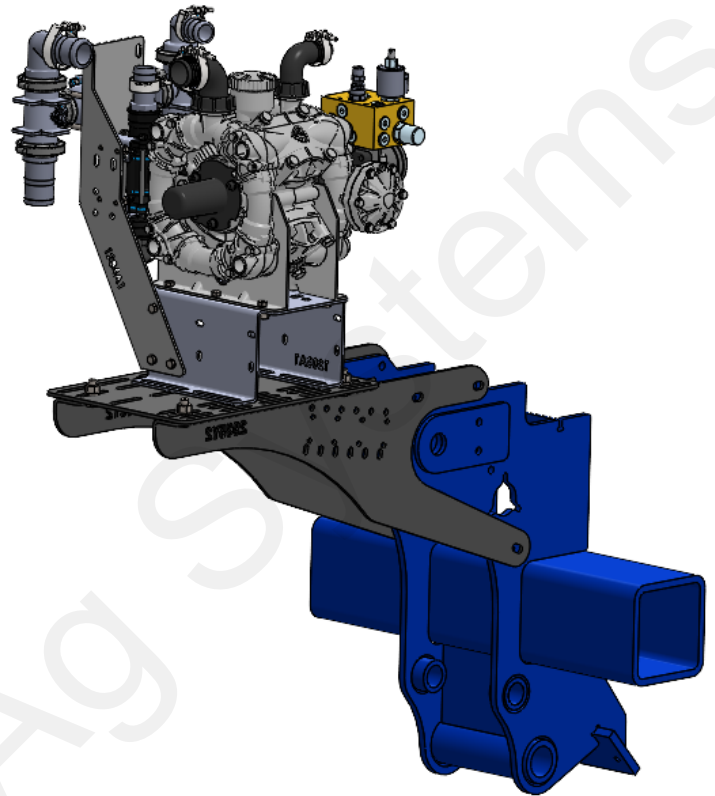
Step by Step Instructions PumpRight 40 & D250 Mounting

The pump alignment illustrated in the picture to the right is the optimal location for alignment of bolt holes. However, the pump can be mounted

With larger PR40 and D250 pumps, mounting the pumps further forward will reduce stress on the bracket and planter frame mounting bolts.

1. Attach PumpRight support bracket to the pump mounting bracket as shown, using four (4) 1/2" x 1-1/2" hex head bolts, flat washers, and flange nuts.
2. Inspect pump mounting for clearance and wrench tighten all bolts.

Note: Pump can be oriented in any direction as needed to avoid interferences.

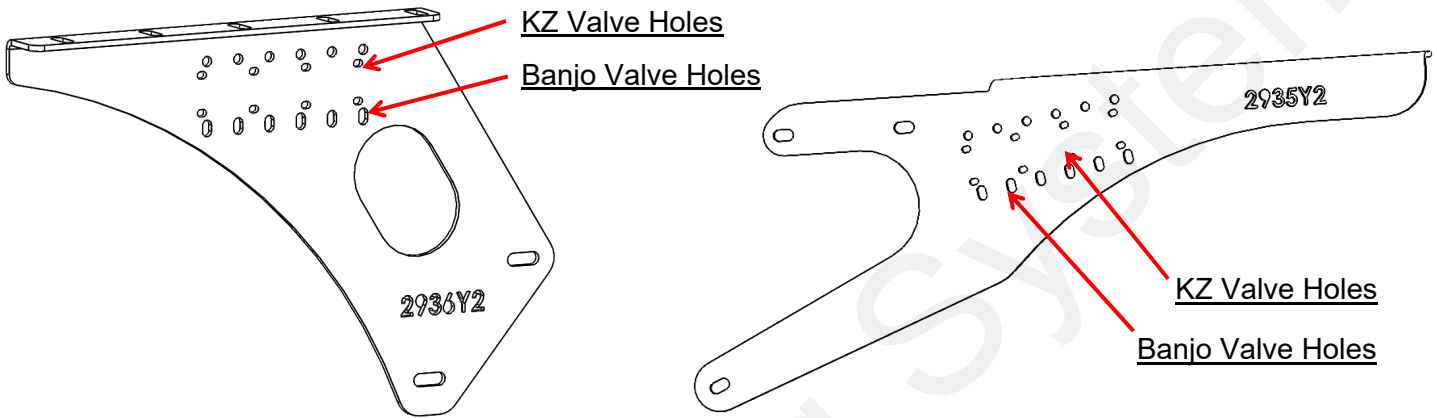




Electric Section Valve Mounting

24 Row: Up to three (3) Banjo Section Valves or eight (8) KZ Electric Section Valves (shown below) with 4 mounted on either side.

16 Row: Up to three (3) Banjo Section Valves or four (4) KZ Electric Section Valves (shown below) may be mounted to either side of the bracket.



12/16 Row Kinze 4900

24 Row Kinze 4900

