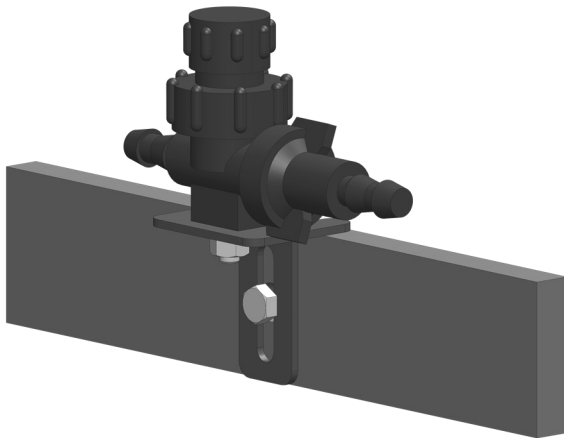




396-2897Y1

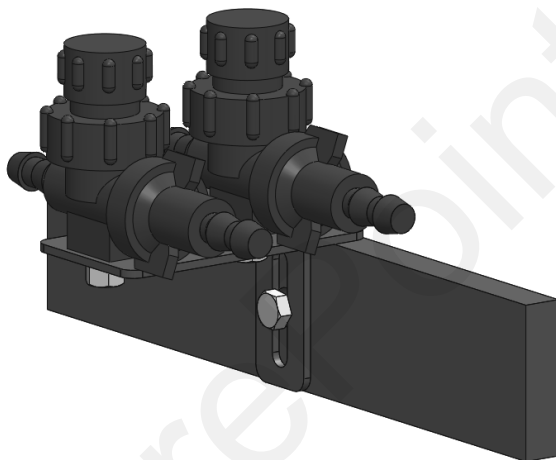
Universal Check Valve Mounting Bracket Instructions



Parallel Linkage Check Valve Mounting Brackets
KIT: 515-01-200150 (Black)



Parallel Linkage Dual Check Valve Mounting Brackets
KIT: 515-01-200350 (Black)



Parallel Linkage Dual Product Check Valve Mounting Brackets
KIT: 515-01-200250 (Black)

**Each kit includes parts for mounting two check valves*

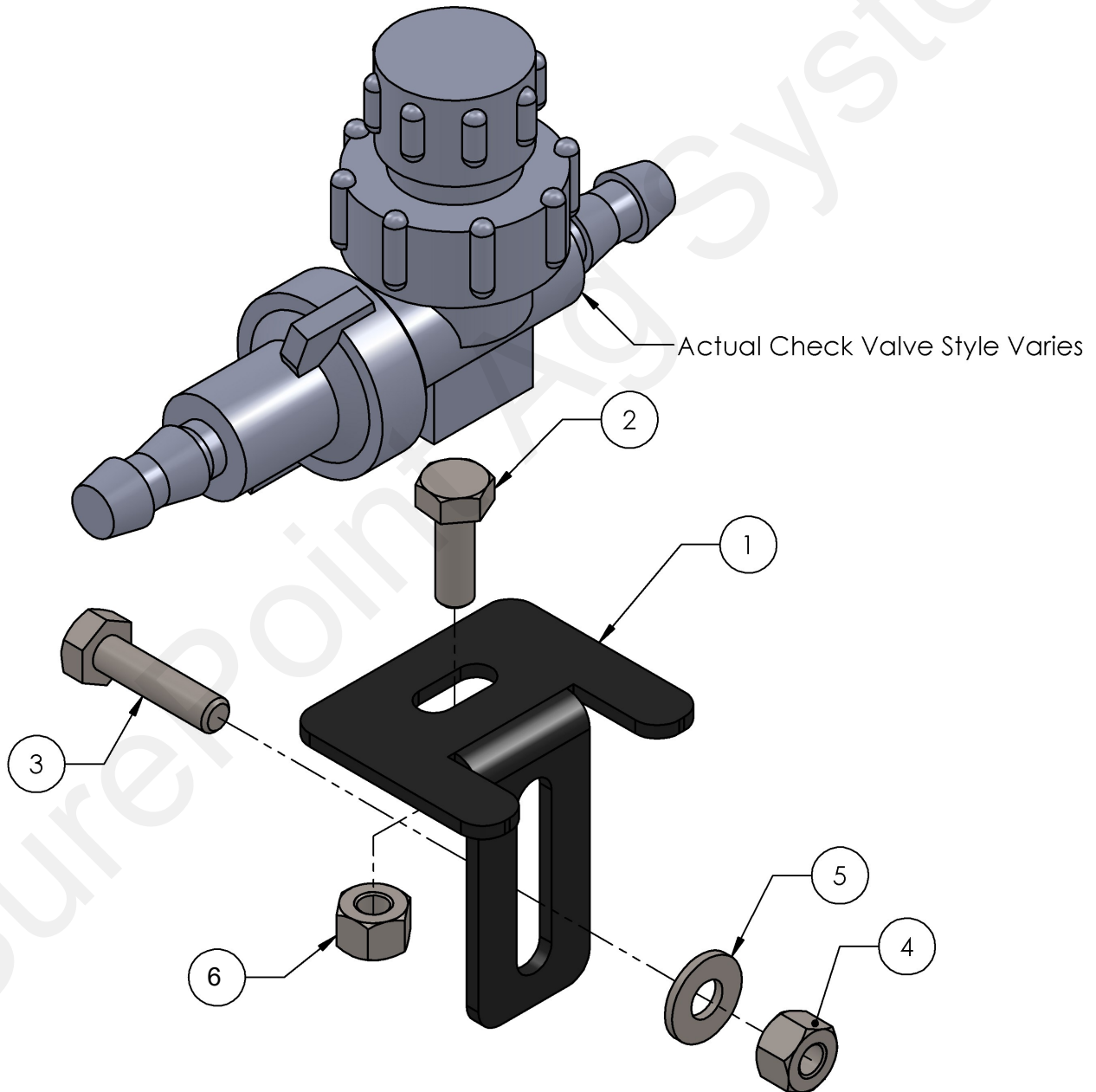


Parts List and Exploded View

515-01-200150

Single Check Valve

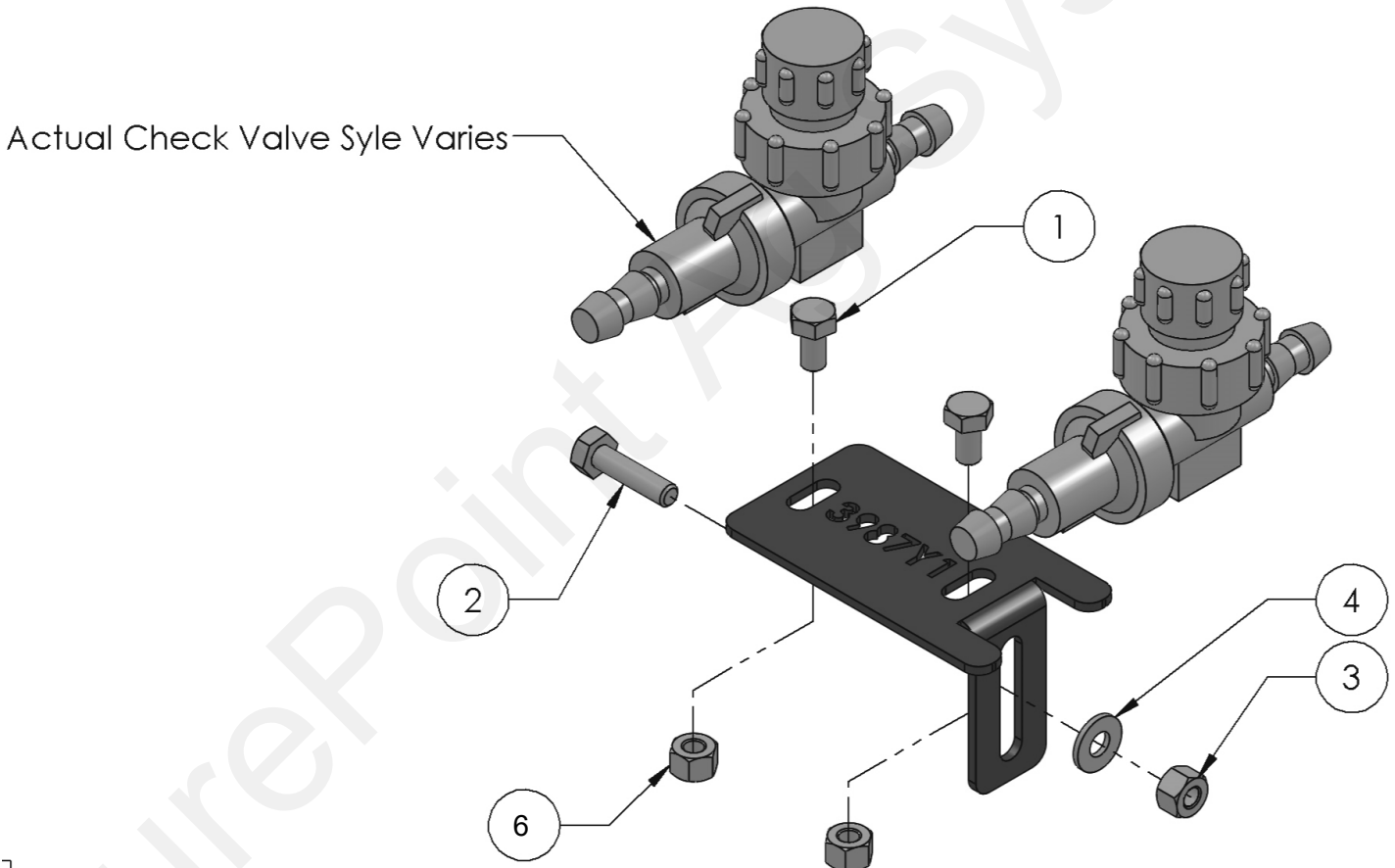
ITEM NO.	PART NUMBER	DESCRIPTION	QTY.
1	400-2865Y1-BK	Check Valve Mounting Bracket Black	2
2	300-040012-SS	1/4" x 3/4" Hex Head Bolt - SS	2
3	300-040100-SS	1/4" x 1" Hex Head Bolt - SS	2
4	321-04-SS	1/4" Nylock Nut - SS	2
5	333-0416-SS	1/4" Fender Washer - SS	2
6	323-04-SS	1/4" Flange Nut - SS	2





Parts List and Exploded View 515-01-200250 Dual Product Check Valves

ITEM NO.	PART NUMBER	DESCRIPTION	QTY.
1	300-040012-SS	1/4" x 3/4" Hex Head Bolt - SS	4
2	300-040100-SS	1/4" x 1" Hex Head Bolt - SS	2
3	321-04-SS	1/4" Nylock Nut - SS	2
4	333-0416-SS	1/4" Fender Washer - SS	2
5	400-3987Y1-BK	Check Valve Mounting Bracket Black	2
6	323-04-SS	1/4" Flange Nut - SS	4



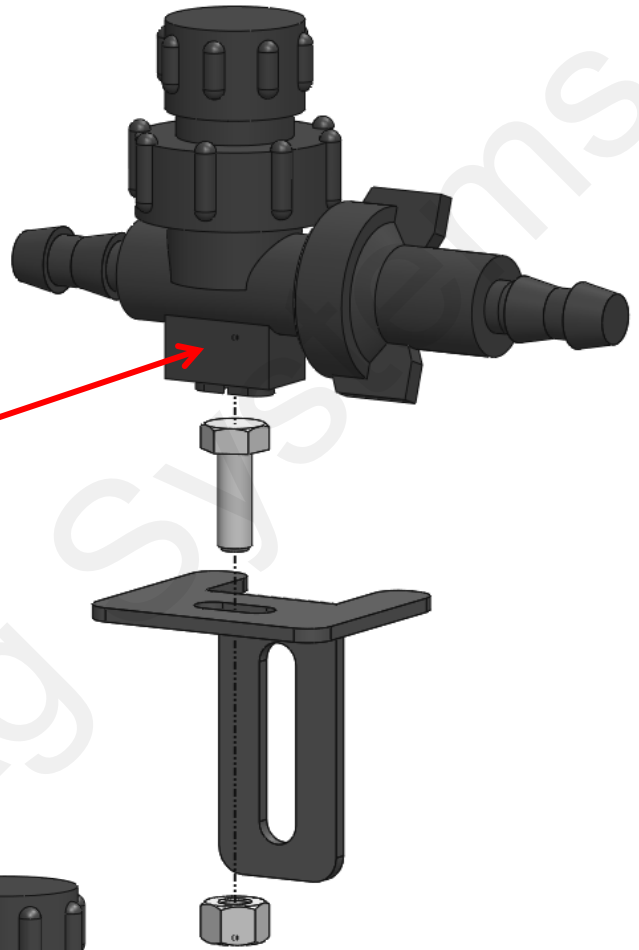
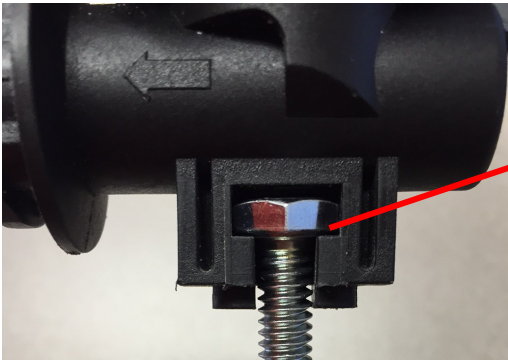
7



Step by Step Instructions

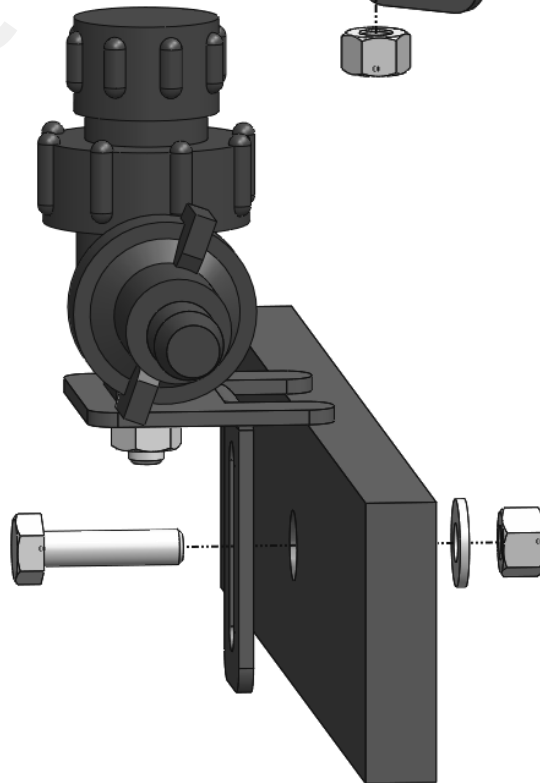
Note: The same basic instructions apply to the single and dual product check valve mounting.

1. Insert head of 1/4" x 3/4" bolt into the opening of check valve as shown below and attach with 1/4" flange nut to the top slotted hole of the mounting bracket. Tighten nut, taking care not to spin the bolt head in the plastic valve body.



2. Bolt mounting bracket to planter row unit parallel linkage using 1/4" x 1" hex head bolt, 1/4" fender washer and 1/4" nylon nut. Wrench tighten.

NOTE: Ensure top two tabs are resting on parallel linkage arm before tightening.



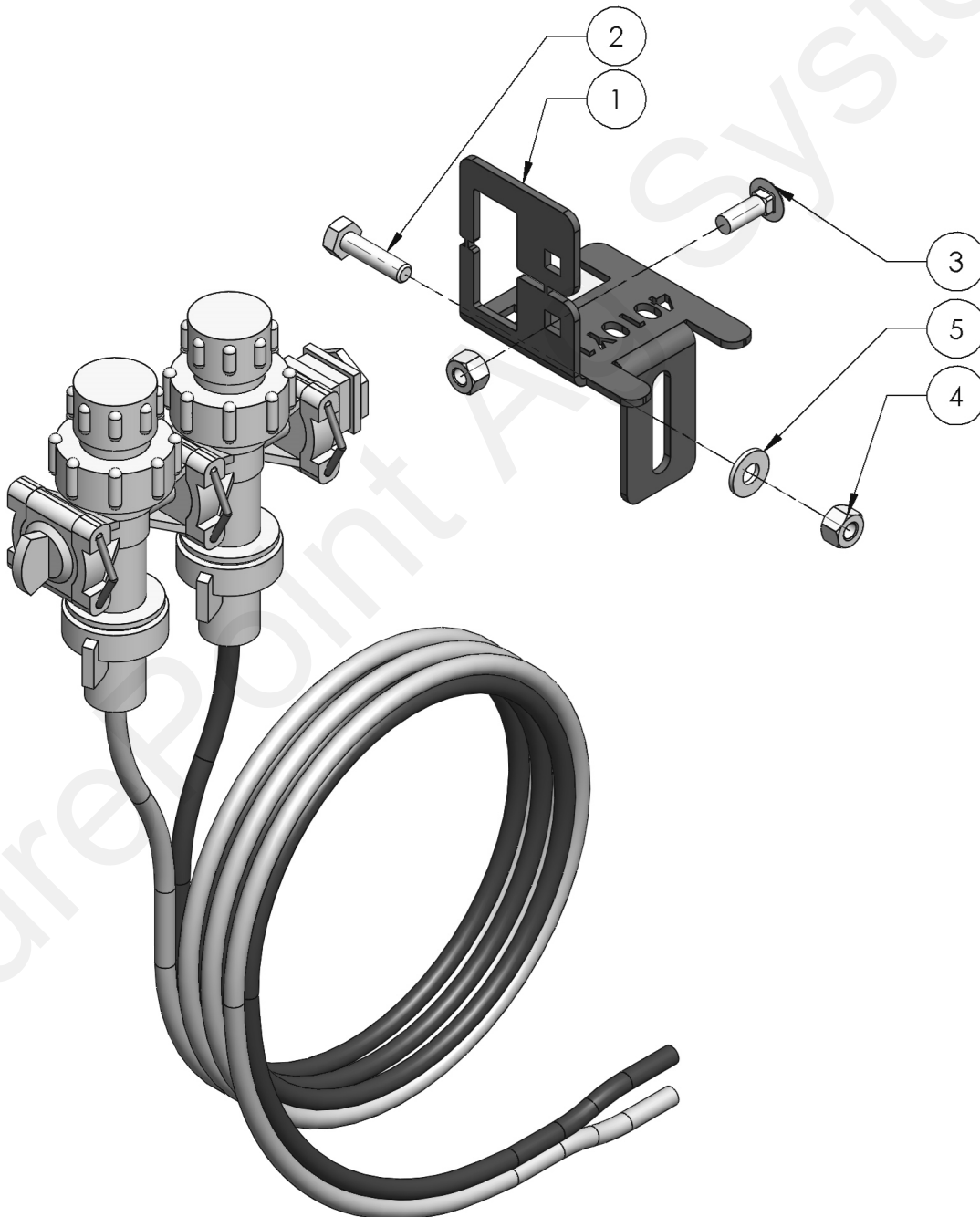


Parts List and Exploded View

515-01-200350

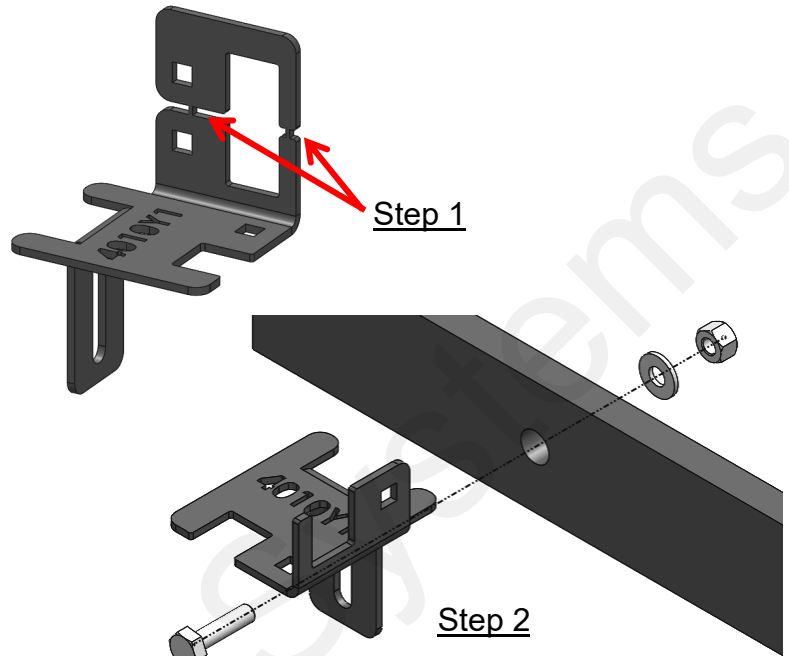
Dual Tube Check Valve

ITEM NO.	PART NUMBER	DESCRIPTION	QTY.
1	400-4010Y1-XX	Check Valve Mounting Bracket (Green or Black)	2
2	300-040100-SS	1/4" x 1" Hex Head Bolt - SS	2
3	304-040012-SS	1/4" x 3/4" Carriage Bolt - SS	2
4	321-04-SS	1/4" Nylock Nut - SS	4
5	333-0416-SS	1/4" Fender Washer - SS	2



Step by Step Instructions

1. Break off mounting tab by bending back and forth several times until the tabs break.
2. Bolt mounting bracket to planter row unit parallel linkage using 1/4" x 1" hex head bolt, 1/4" fender washer and 1/4" nylon nut. Wrench tighten. *Note: Ensure top two tabs are resting on parallel linkage arm before tightening. Bracket can be mounted on the outside or inside of the row unit, check for clearance.*



3. Choose dual tube valve orientation based on planter model and setup. Thread the provided inlet hose barb fitting prior to valve mounting. *Note: In some cases, a 90° hose barb will need to be used for the inlet hose. See orientations, right.*
4. Insert the check valve into the "C" notch in the bracket and slide the C clamp bracket around the check valve to lock it in place. Fasten clamp bracket in place using 1/4" x 3/4" carriage bolt and nylock nut.
5. Route plumbing hose and tube to and from the check valve and check for clearance from row unit travel.

