



# 396-2806Y1

## Tank Mounting Instructions

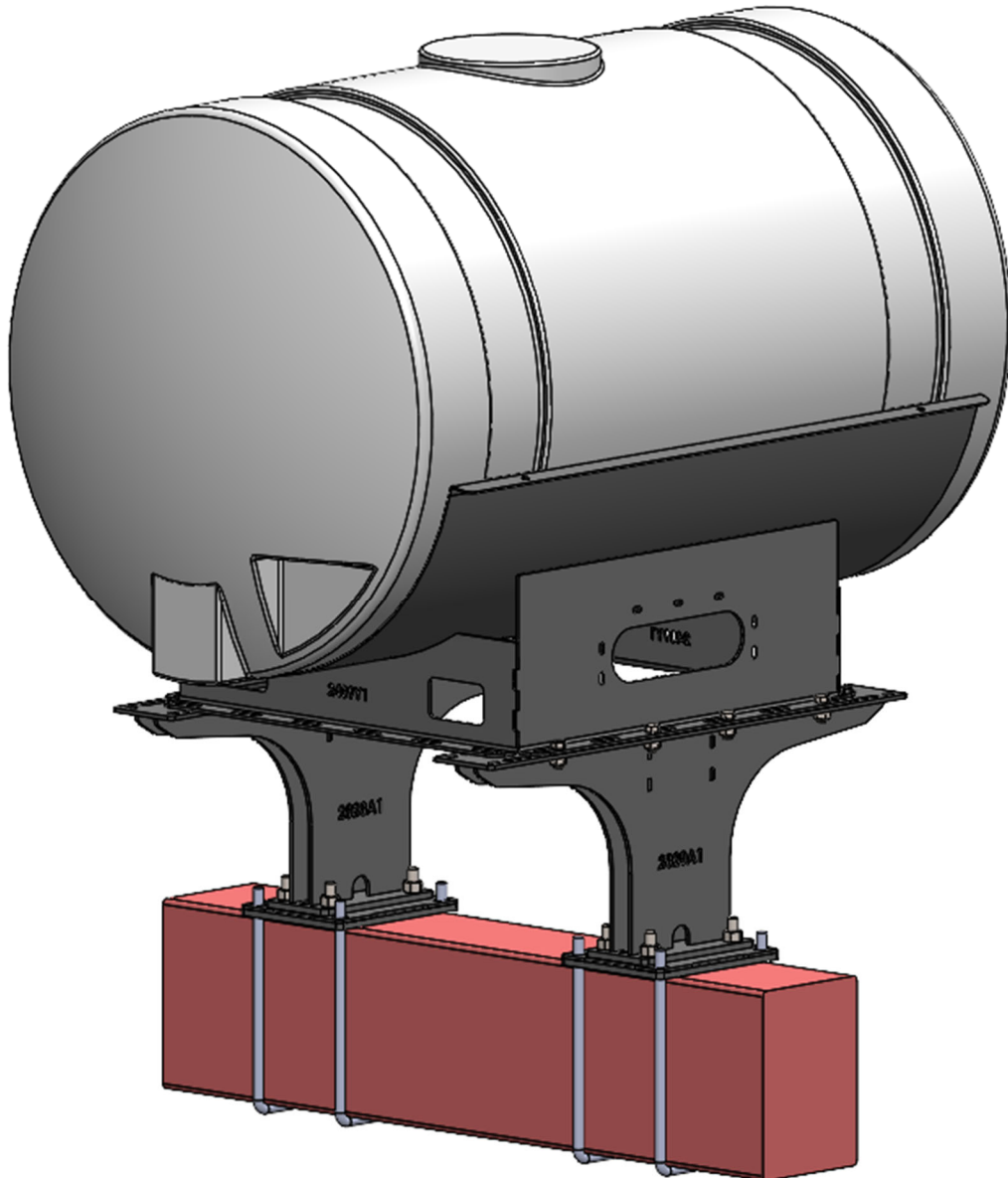
### 400 Gallon Horizontal Tank (AGCO 9816 Planter)

Planter Manufacturer:



Kit Number: 530-04-150500

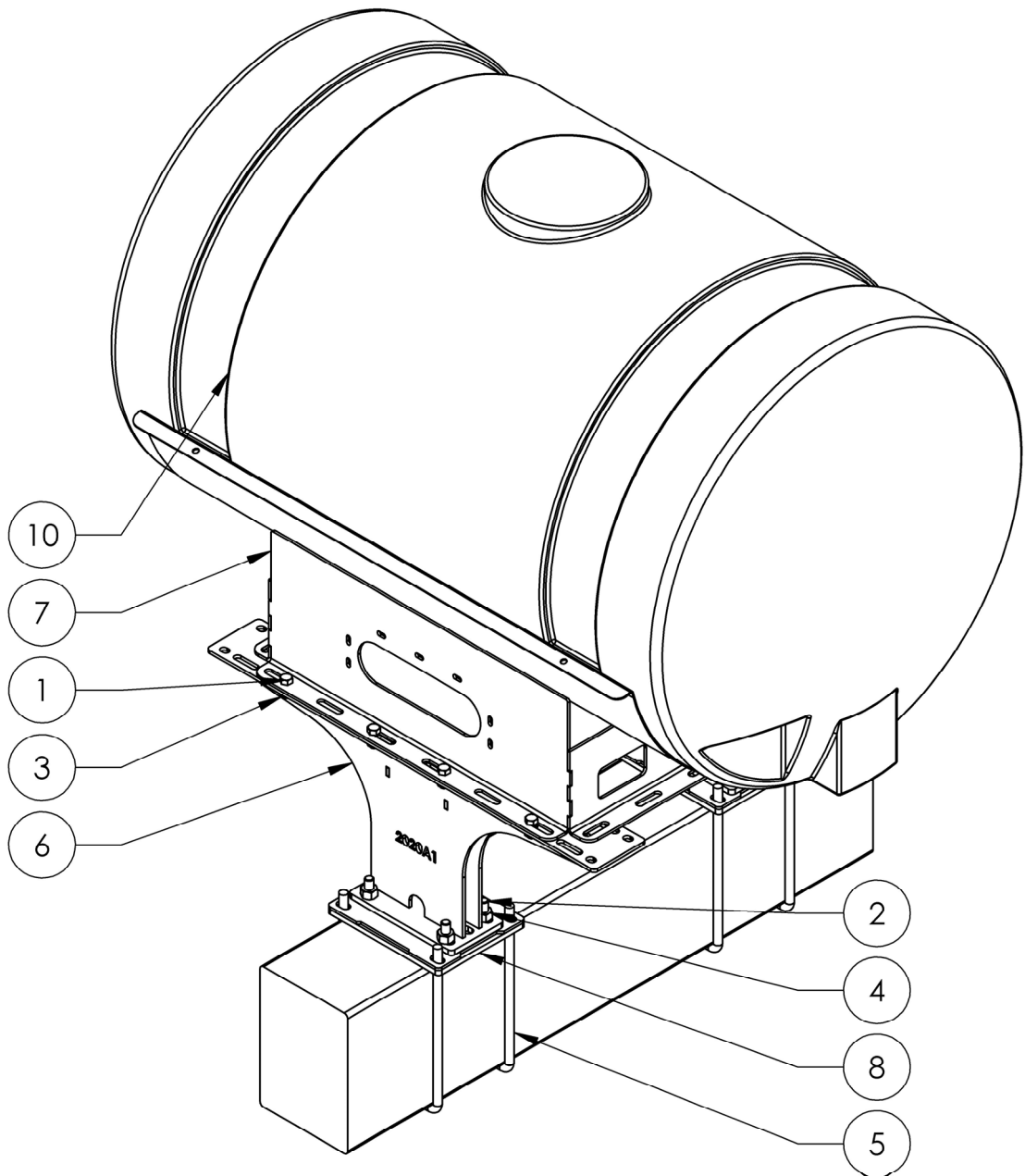
Agco White 16 Row 9816 Hitch Mount Tank - 400 Gallon Round





# Parts List

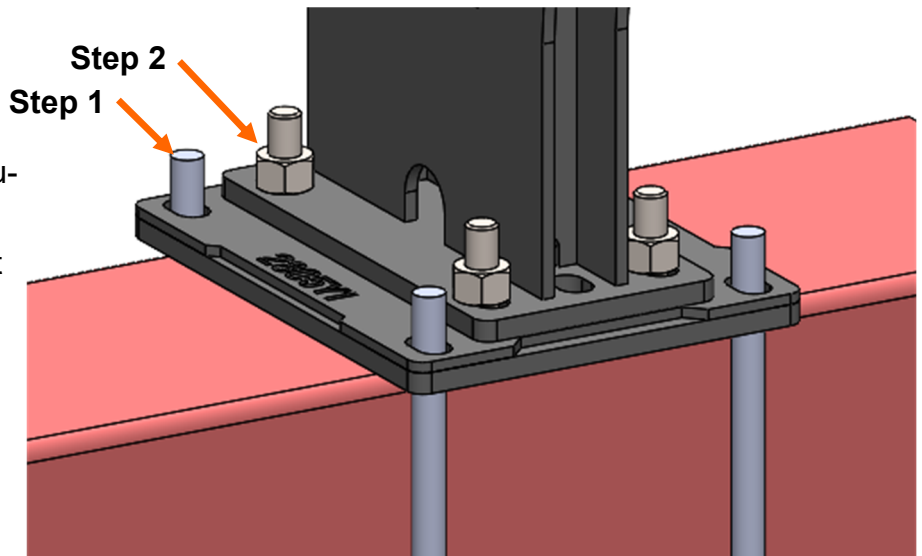
ITEM NO.	PART NUMBER	DESCRIPTION	QTY.
1	300-100108-5	5/8" x 1-1/2" Hex Head Bolt	8
2	300-120208-5	3/4" x 2-1/2" Hex Head Bolt	8
3	323-10	5/8" Flange Nut	8
4	323-12	3/4" Flange Nut	8
5	380-1079	3/4" x 10" x 14" Square Bend U-Bolt	4
6	421-2020A1	Planter Hitch Mount for Tank Cradle (400 or 500 gallon)	2
7	451-2409Y1	400 Gallon Horizontal Cradle Weld Assembly	1
8	457-2805Y1	Bolt Plate for Planter Hitch Mount	2
9	525-3000	3" Tank Strap Kit for 400 - 1000 gal tank	2
10	727-02-400APP	Horizontal Tank - 400 Gallon	1





# Step by Step Instructions

1. Loosely u-bolt front bolt plate (457-2805Y1) to the 10"x14" planter frame using 3/4"x10x14 u-bolts.
2. Bolt the front planter hitch mount (457-2020A1) to the bolt plate using 3/4" flange nuts and 3/4" bolts.



3. Repeat steps 1-2 for rear bolt plate and planter hitch mount.
4. Place tank cradle on to both pedestals and bolt together with 5/8" flange nuts and bolts
5. After tightening all bolts, set tank in cradle and strap down.

NOTE: Please remember to tighten straps again once the tank has been filled.

